

Floor Boxes - Raised floor Standard Range

Cat. No(s) : 0 880 00 to 17 - 0 880 20 to 28 - 0 880 30 to 32 -
 0 880 36 to 55/57 - 0 880 95/98/99



1. USE

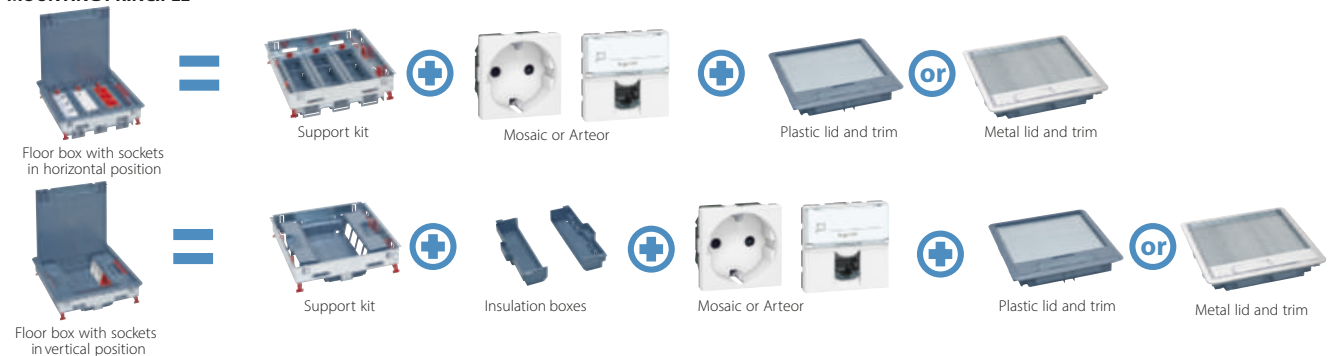
Standard version floor boxes to install in a raised floor of any kind of tertiary buildings (offices, public building, hospitals, schools/universities, shops, showrooms, hotels...). To be equipped with power, data, USB sockets.

Possibility to choose between different finishing's.

We advise to use 2p+E sockets, 45° inclined version with upward earth pin.

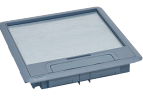




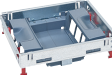

We advise you to use gloves when handling the products.

MOUNTING PRINCIPLE



2. SELECTION TABLE

2.1 General chart

SOCKET MOUNTING POSITION	CAPACITY	FLOOR BOX SUPPORT KITS	LIDS & TRIMS FLOORING THICKNESS ≤ 8 mm		FINISHING PLATES (optional)		INSULATION BOXES	
								
Adjustable horizontal  Hmin: 80 mm	12 (3 x 4) modules	0 880 20	Plastic	0 880 00	Stainless steel	0 880 15	-	
			Metal	Stainless steel	0 880 03	Stainless steel		0 880 45
				Brass	0 880 06	Brass		0 880 48
	18 (3 x 6) modules	0 880 21	Plastic	0 880 01	Stainless steel	0 880 16		
			Metal	Stainless steel	0 880 04	Stainless steel		0 880 46
				Brass	0 880 07	Brass		0 880 49
	24 (3 x 8) modules	0 880 22	Plastic	0 880 02	Stainless steel	0 880 17		
			Metal	Stainless steel	0 880 05	Stainless steel		0 880 47
				Brass	0 880 08	Brass		0 880 50
Horizontal frames to be equipped with baskets  Hmini : 80 mm for empty baskets Hmini : 102 mm for fast connecting system Wieland®	12 (3 x 4) modules	0 880 36	Plastic	0 880 00	Stainless steel	0 880 15	-	
			Metal	Stainless steel	0 880 03	Stainless steel		0 880 45
				Brass	0 880 06	Brass		0 880 48
	18 (3 x 6) modules	0 880 37	Plastic	0 880 01	Stainless steel	0 880 16		
			Metal	Stainless steel	0 880 04	Stainless steel		0 880 46
				Brass	0 880 07	Brass		0 880 49
	24 (3 x 8) modules	0 880 38	Plastic	0 880 02	Stainless steel	0 880 17		
			Metal	Stainless steel	0 880 05	Stainless steel		0 880 47
				Brass	0 880 08	Brass		0 880 50
Fixed Horizontal  Hmini : 96 mm	12 (3 x 4) modules	0 880 30	Plastic	0 880 00	Stainless steel	0 880 15	-	
			Metal	Stainless steel	0 880 03	Stainless steel		0 880 45
				Brass	0 880 06	Brass		0 880 48
	18 (3 x 6) modules	0 880 31	Plastic	0 880 01	Stainless steel	0 880 16		
			Metal	Stainless steel	0 880 04	Stainless steel		0 880 46
				Brass	0 880 07	Brass		0 880 49
	24 (3 x 8) modules	0 880 32	Plastic	0 880 02	Stainless steel	0 880 17		
			Metal	Stainless steel	0 880 05	Stainless steel		0 880 47
				Brass	0 880 08	Brass		0 880 50
Fixed Vertical  Hmin: 83 mm	8 (2 x 4) modules	0 880 23	Plastic	0 880 00	Stainless steel	0 880 15	0 880 26	
			Metal	Stainless steel	0 880 03	Stainless steel		0 880 45
				Brass	0 880 06	Brass		0 880 48
	12 (2 x 6) modules	0 880 24	Plastic	0 880 01	Stainless steel	0 880 16		
			Metal	Stainless steel	0 880 04	Stainless steel		0 880 46
				Brass	0 880 07	Brass		0 880 49
	16 (2 x 8) modules	0 880 25	Plastic	0 880 02	Stainless steel	0 880 17		
			Metal	Stainless steel	0 880 05	Stainless steel		0 880 47
				Brass	0 880 08	Brass		0 880 50
Access covers  Hmini : 65 mm	For lid and trim with 8/12 modules	0 880 39	Plastic	0 880 00	Stainless steel	0 880 15	-	
			Metal	Stainless steel	0 880 03	Stainless steel		0 880 45
				Brass	0 880 06	Brass		0 880 48
	For lid and trim with 12/18 modules	0 880 40	Plastic	0 880 01	Stainless steel	0 880 16		
			Metal	Stainless steel	0 880 04	Stainless steel		0 880 46
				Brass	0 880 07	Brass		0 880 49
	For lid and trim with 16/24 modules	0 880 41	Plastic	0 880 02	Stainless steel	0 880 17		
			Metal	Stainless steel	0 880 05	Stainless steel		0 880 47
				Brass	0 880 08	Brass		0 880 50

2. SELECTION TABLE (cont.)

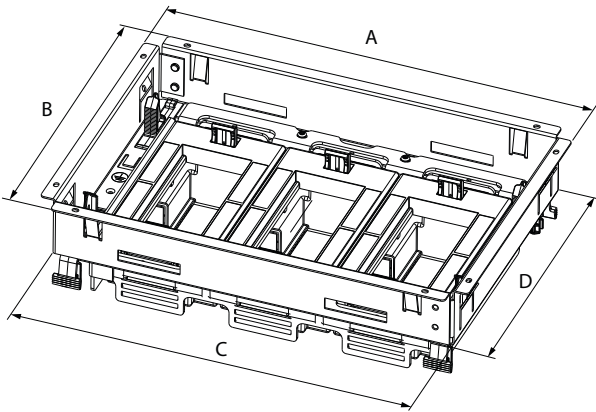
■ 2.2 Chart Floor boxes supplied in kits

Floor boxes supplied in kits	Description	composed of references	
 <p>0 880 09</p>	<p>Kit plastic standard lid & trim + Horizontal frames 12 modules</p>	0 880 00	0 880 20
 <p>0 880 10</p>	<p>Kit plastic standard lid & trim + Horizontal frames 18 modules</p>	0 880 01	0 880 21
 <p>0 880 11</p>	<p>Kit plastic standard lid & trim + Horizontal frames 24 modules</p>	0 880 02	0 88022
 <p>0 880 12</p>	<p>Kit plastic standard lid & trim + Vertical frames 12 modules</p>	0 880 00	0 880 23
 <p>0 880 13</p>	<p>Kit plastic standard lid & trim + Vertical frames 18 modules</p>	0 880 01	0 880 24
 <p>0 880 14</p>	<p>Kit plastic standard lid & trim + Vertical frames 24 modules</p>	0 880 02	0 880 25

3. DIMENSIONS

■ 3.1 Support Kits

3.1.1 Adjustable horizontal mounting floor boxes Support Kits with empty baskets and horizontal frames to be equipped with baskets



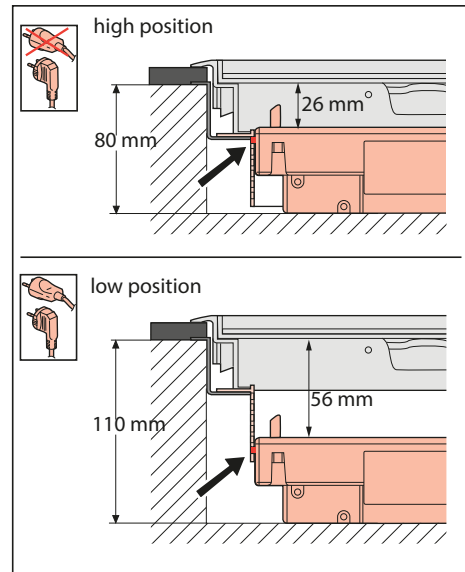
Adjustable horizontal Support kits with empty baskets cat nos	Horizontal frames to be equipped with baskets* cat. nos	Number of modules	A (mm)	B (mm)	C (mm)	D (mm)
0 880 20	0 880 36	3x4M	281.3	198.3	263.3	180.3
0 880 21	0 880 37	3x6M		236.3		218.3
0 880 22	0 880 38	3x8M		281.3		263.3

Adjustable horizontal Support kits with empty baskets	Horizontal frames to be equipped with baskets*	F (mm)
0 880 20	0 880 36	76.7
0 880 21	0 880 37	
0 880 22	0 880 38	

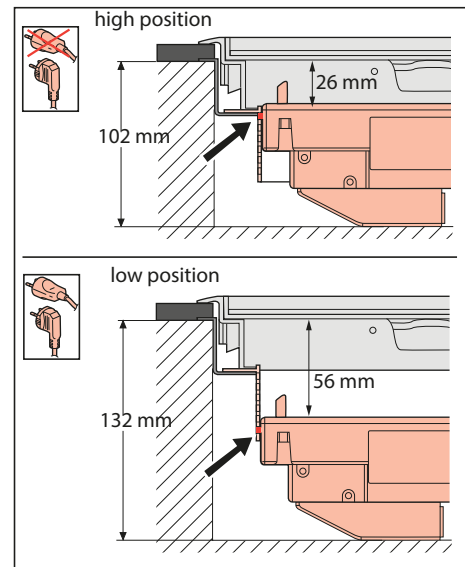
Kind of baskets*		4M	6M	8M
empty		0 880 42	0 880 43	0 880 44
equipped with 2P+E Wieland® german standard		0 880 51	0 880 53	0 880 55
equipped with 2 P+E tamper-proof Wieland® german standard		0 880 52	0 880 54	0 880 57

3. DIMENSIONS (cont.)

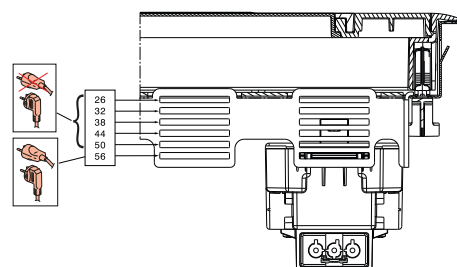
3.1.1.1 Empty basket



3.1.1.2 Fast connecting system Wieland®

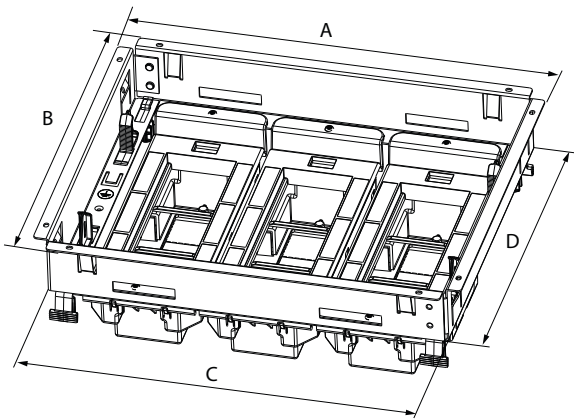


Dimensions (mm) of the different positions of the module

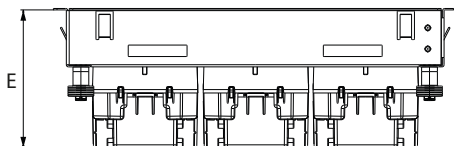


3. DIMENSIONS (cont.)

3.1.2 Fixed Horizontal mounting floor boxes Supports Kits



Cat. nos	Number of modules	A (mm)	B (mm)	C (mm)	D (mm)
0 880 30	3x4M	281.3	198.3	263.3	180.3
0 880 31	3x6M		236.3		218.3
0 880 32	3x8M		281.3		263.3



Cat. nos	E (mm)
0 880 30	96
0 800 31	
0 800 32	

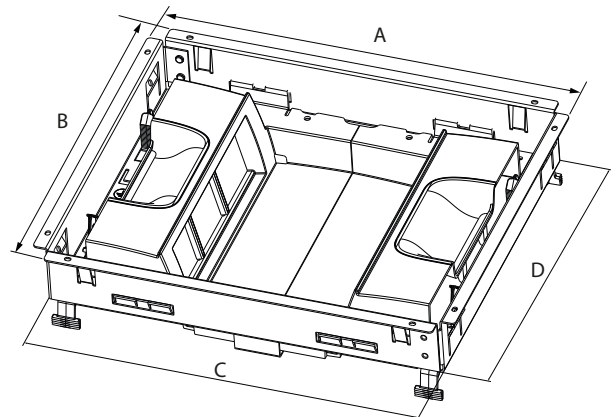
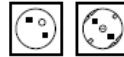
For minimum heights of raised floor, see chart 4.1 Floor cutting

3. DIMENSIONS (cont.)

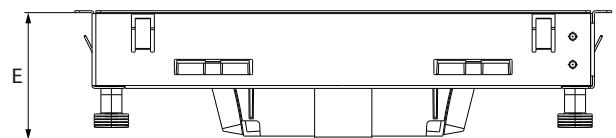
3.1.3 Fixed Vertical mounting floor boxes Supports Kits with empty baskets

3.1.3.1 Supports Kits

In order to connect all types of user plugs (straight and angle) and to be able to close correctly the lid, we advise to use 2 P+E sockets, 45° inclined version with upward earth pin, as below :



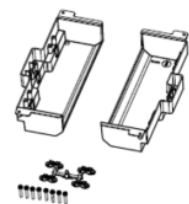
Cat. nos	Number of modules	A (mm)	B (mm)	C (mm)	D (mm)
0 880 23	2x4M	281.3	198.3	263.3	180.3
0 880 24	2x6M		236.3		218.3
0 880 25	2x8M		281.3		263.3



Cat. nos	E (mm)
0 880 23	66.7
0 880 24	
0 880 25	

3.1.3.2 Insulation boxes

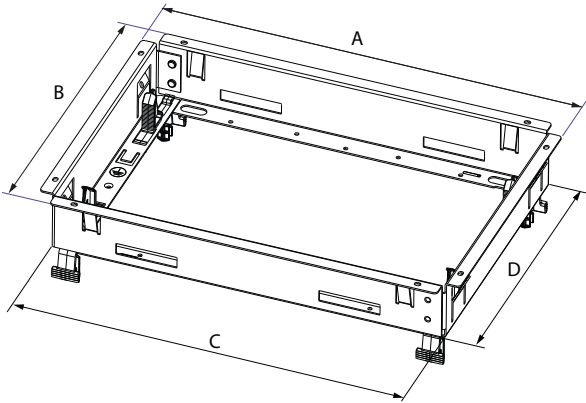
Cat. nos	Number of modules
0 880 26	2x4M
0 880 27	2x6M
0 880 28	2x8M



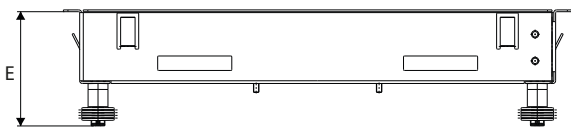
3. DIMENSIONS (cont.)

3.1.4 Access trap boxes

3.1.4.1 External dimensions



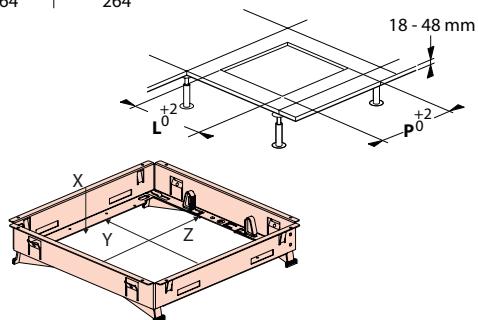
Cat. nos	A (mm)	B (mm)	C (mm)	D (mm)
0 880 39	281.3	198.3	263.3	180.3
0 880 40		236.3		218.3
0 880 41		281.3		263.3



Cat. nos	E (mm)
0 880 39	63.2
0 880 40	
0 880 41	

3.1.4.2 Internal dimensions

	P (mm)	L (mm)
8/12 M	264	181
12/18 M	264	219
16/24 M	264	264



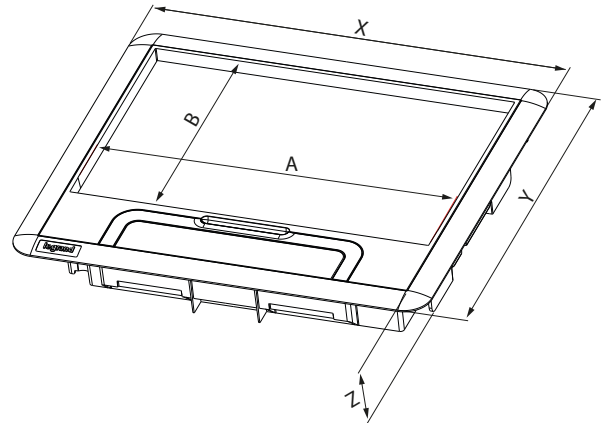
Cat. nos	X (mm)	Y (mm)	Z (mm)
0 880 39	39,7	147,9	229,6
0 880 40		185,9	
0 880 41		230,9	

3. DIMENSIONS (cont.)

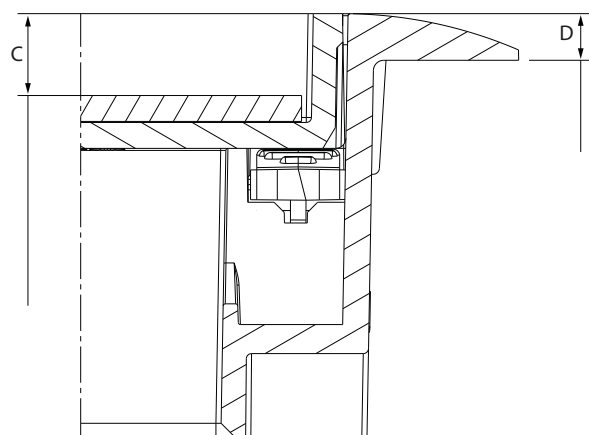
3.2 Lids & Trims

3.2.1 Plastic Lids & Trims

1 finish	8/12M	12/18M	16/24M
Plastic standard	0 880 00	0 880 01	0 880 02



Cat. nos	X (mm)	Y (mm)	Z (mm)	A (mm)	B (mm)
0 880 00	286	203	41	244.5	116.5
0 880 01		241			154.8
0 880 02		286			199.8

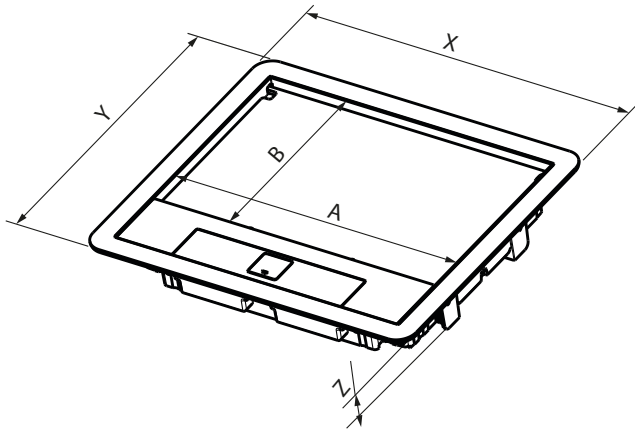


Cat. nos	C (mm)	D (mm)
0 880 00	8	4.5
0 880 01		
0 880 02		

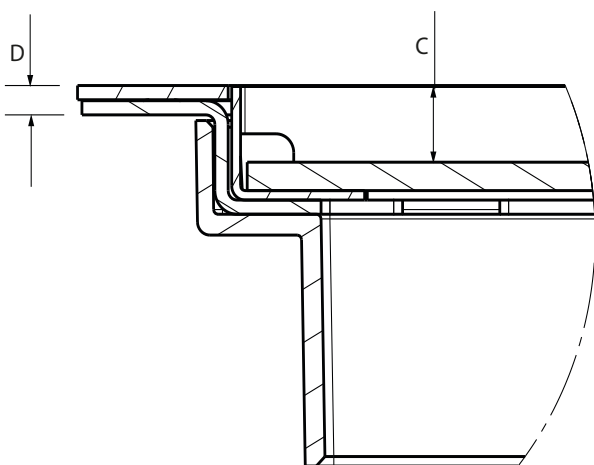
3. DIMENSIONS (cont.)

3.2.2 Metal Lids & Trims

2 finishes	8/12M	12/18M	16/24M
Stainless steel	0 880 03	0 880 04	0 880 05
Brass	0 880 06	0 880 07	0 880 08



Cat. nos		X (mm)	Y (mm)	Z (mm)	A (mm)	B (mm)
0 880 03	0 880 06	286	203	41	249.2	117.2
0 880 04	0 880 07		241			155.2
0 880 05	0 880 08		286			199.9



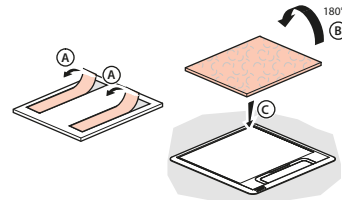
Cat. nos		C (mm)	D (mm)
0 880 03	0 880 06	8	3.1
0 880 04	0 880 07		
0 880 05	0 880 08		

3. DIMENSIONS (cont.)

3.3 Finishing plates

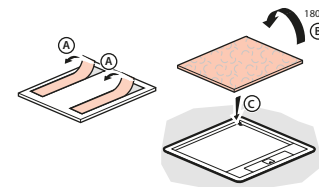
3.3.1 Finishing plates for plastic lid & trims

1 finish	8/12M	12/18M	16/24M
Stainless steel	0 880 15	0 880 16	0 880 17

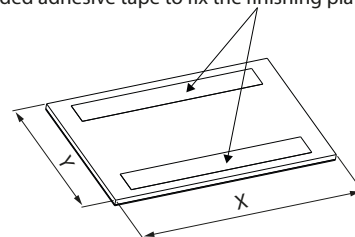


3.3.2 Finishing plates for metal lid & trims

2 finishes	8/12M	12/18M	16/24M
Stainless steel	0 880 45	0 880 46	0 880 47
Brass	0 880 48	0 880 49	0 880 50





Double sided adhesive tape to fix the finishing plate on the lid & trim



Cat. nos	X (mm)	Y (mm)
0 880 15	244	116
0 880 16		154
0 880 17		199
0 880 45/0 880 48	248	116
0 880 46/0 880 49		154
0 880 47/0 880 50		199

Remove protection adhesive tape from finishing lids and plates **ONLY WHEN THE BUILDING IS READY TO RECEIVE ITS OCCUPANTS** (= heated and normal hygrometry rate 45-65 %).

3.4 Locking system cat. nos 0 80098/99

Cat. nos		
Useful for	with key	without key
Plastic boxes *	0 880 98	0 880 99
Metal boxes	on demand	

* to be done by installer or electrician

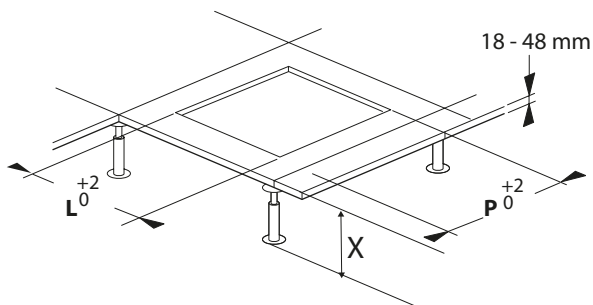
4. INSTALLATION

4.1 Floor cutting

Socket mounting position	X (mm) mini	8/12M	12/18M	18/24M
Horizontal adjustable	80* or 102**	0 880 20	0 880 21	0 880 22
Horizontal to be equipped		0 880 36	0 880 37	0 880 38
Horizontal fixed	96	0 880 30	0 880 31	0 880 32
Vertical fixed	83	0 880 23	0 880 24	0 880 25
Access trap	64	0 880 39	0 880 40	0 880 41
L (mm)	-	181	219	264
P (mm)	-	264	264	

* with basket without Wieland® connector

** with basket with Wieland® connector

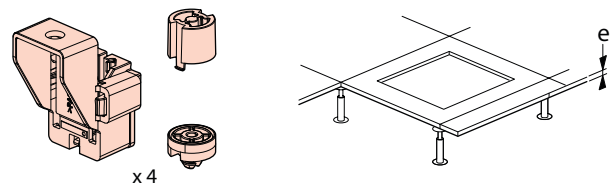


4. INSTALLATION (cont.)

4.2 Option : additionnal fixation kit cat no 0 880 95 (example : plaster)

Allow floor clamping when it is necessary for a raised floor in brittle material such as plaster, for which the fixation type with clips of the frame support is not convenient (clamps may not be fixed sufficiently in the plaster)

Preparation of the 4 fixations :



if floor depth (e)

11 mm < e < 17 mm	25 mm < e < 31 mm	31 mm < e < 40 mm

5. GENERAL CHARACTERISTICS

■ **5.1 Mechanical characteristics**

Protection to :

IP30 with the cover closed
IP20 with the cover opened
IP24 of sockets outlets with the cover closed

Resistance to impacts : IK08 with the cover closed

Self-extinguishing : + 650°C/30s for parts made of insulating materials according to EN60095-2-11
The intlets of conduits or cables are pre-cutting for an easier installation.

Classification floor boxes according to the IEC 60670-1 et IEC 60670-23 standard :

7.1 The nature of their material	Composite
7.2 The method of installation	Flush, semi-flush or embedded in non-combustible floors
	Placement suitable for installation into concrete during the casting process
	Floor boxes or enclosures installed in floor subjected to dry treatment
7.3 The type of inlets (outlets)	Without inlets. Inlet openings will be made during installation
7.4 The clamping means	With clamping means
7.5 The minimum and maximum temperatures during installation	-5°C to +60°C
7.6 The maximum temperature during the casting process	+60°C
13 Protection against ingress of solid objects & against harmful ingress of water	IP30 cover closed / IP20 cover opened
15.101 Resistance to vertical load through a small surface	500 N

Maximum vertical load Resistance

Standard range Floor boxes	References of the lid & trim	small surface (1 cm ²)	large surface (Ø 130 mm)
Plastic	0 880 00 to 0 880 02	1 500 N	3 000 N
Metal	0 880 03 to 0 880 08	1 500 N	5 000 N

Safety : Check that the system is earthed

5. GENERAL CHARACTERISTICS (cont.)

■ **5.2 Material characteristics**

Floor boxes Material list

- . Plastic materials : ABS
- . Plastic materials : TPEE
- . Plastic materials : PP 6.6 glass fibers
- . Galvanized steel (Z140)
- . Stainless steel
- . Galvanized steel (Z275)
- . Brass

Back boxes Material list

- . Galvanized steel (Z140)
- . Plastic materials : ABS

6. CARE

Superficial cleaning with a cloth. Do not use abrasive products or detergents.

Caution: Always test before using other special cleaning products.

Brass Raw Brushed : material which evolves with time, it gets veiled and takes a patina. However, a regular cleaning can restore its initial appearance.

Use a special copper cleaner with an antioxidant formula such as "Mirror copper cleaner" or equivalent. Scrub with a soft brush in the direction of the finish brushing.

7. STANDARDS & APPROVALS

Compliant with installation and manufacturing standards.
See e. catalogue.