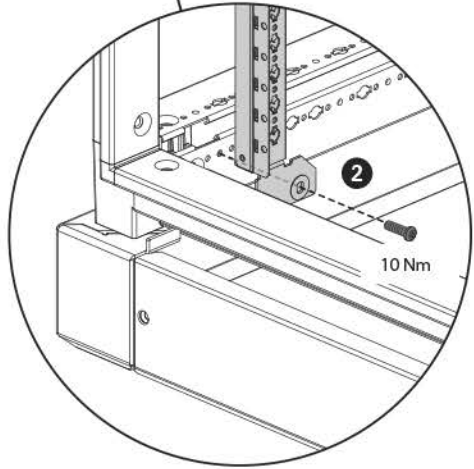
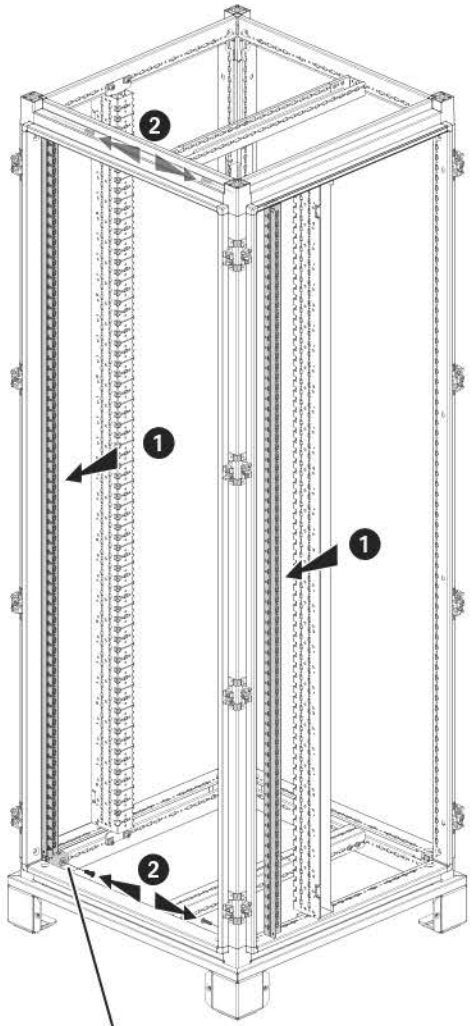
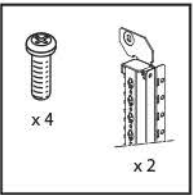
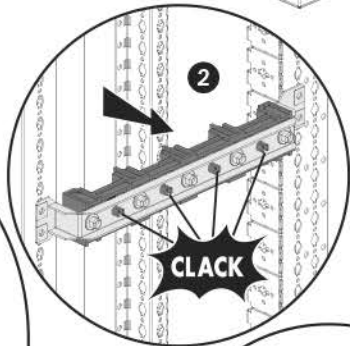
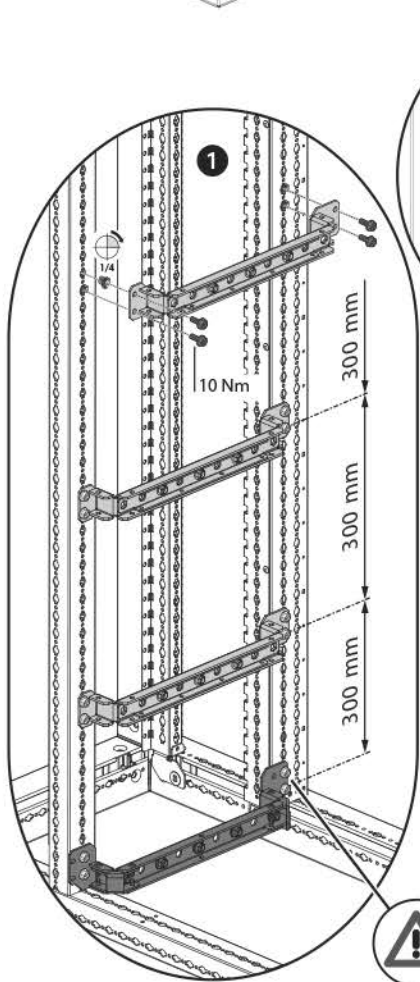
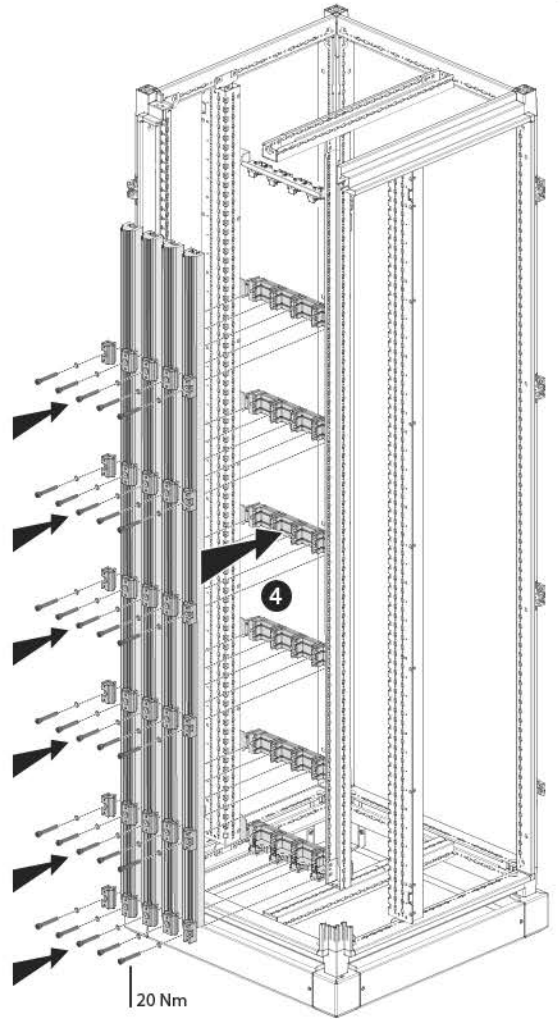
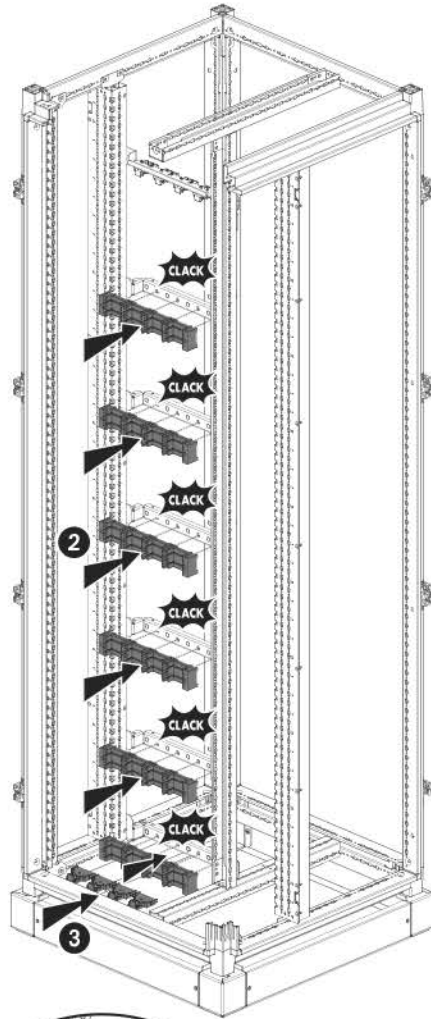
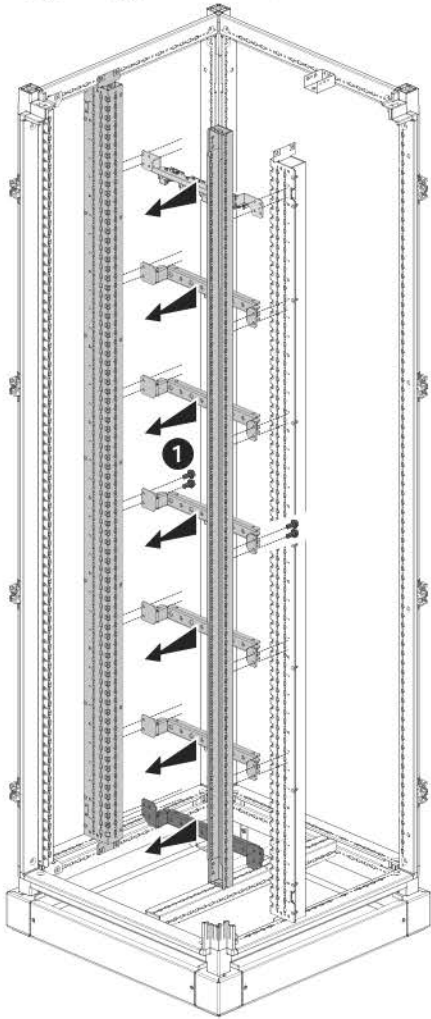
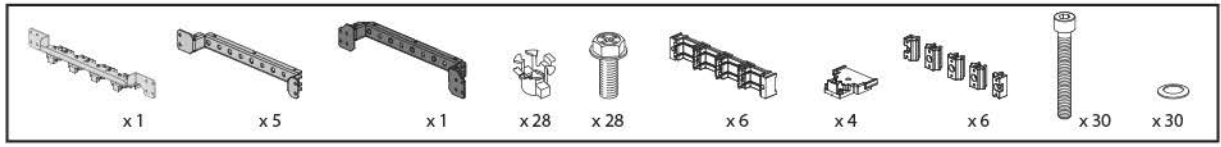
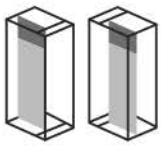
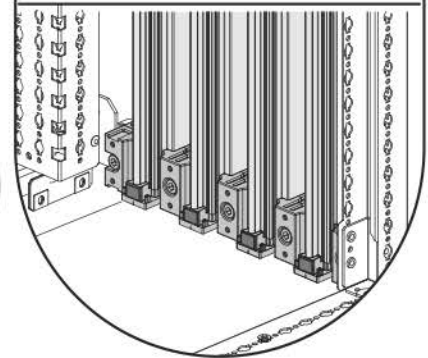
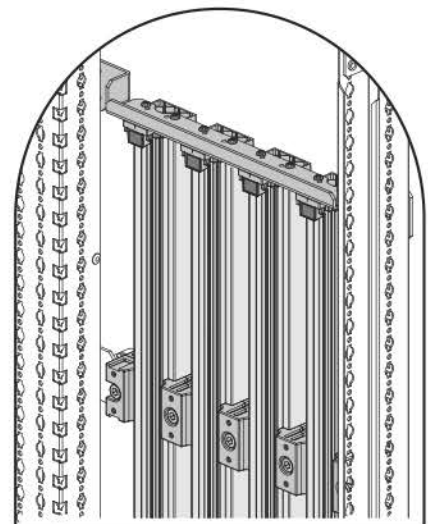
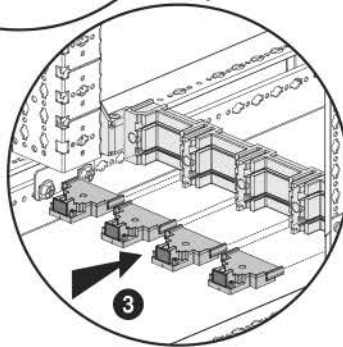
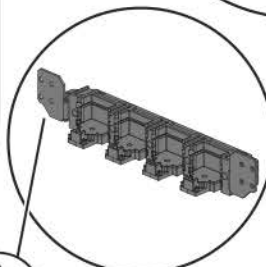
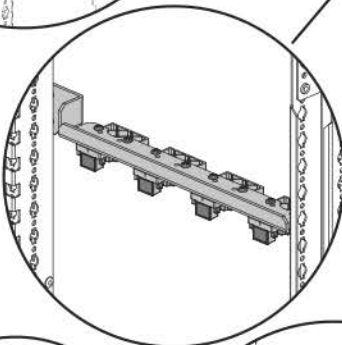


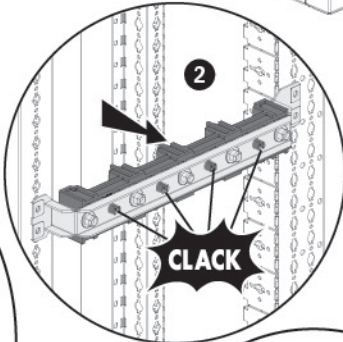
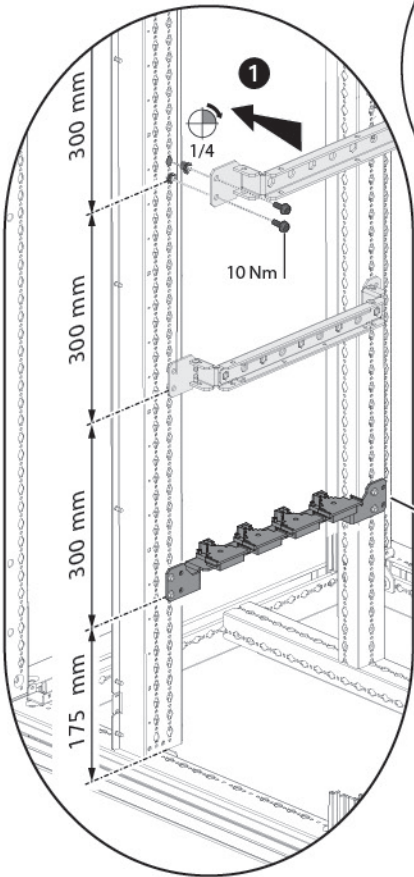
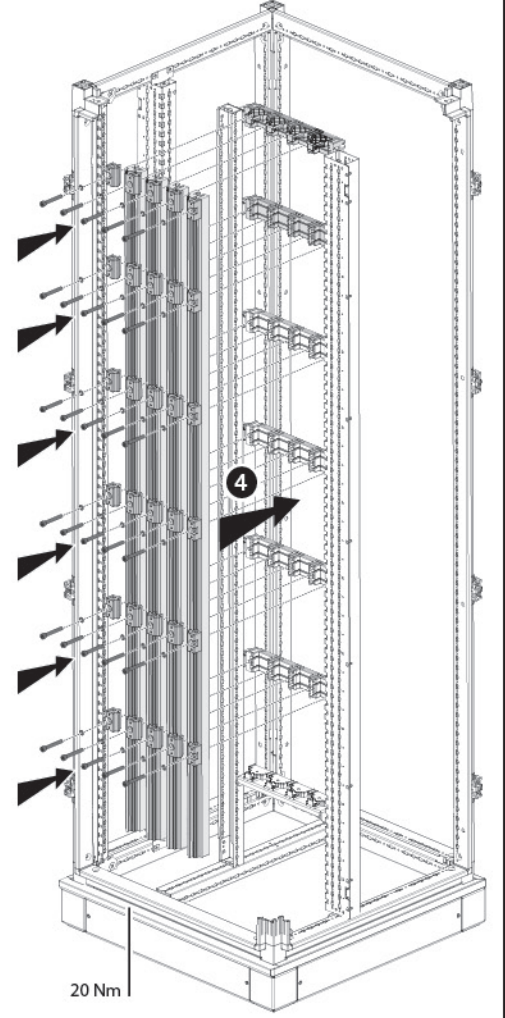
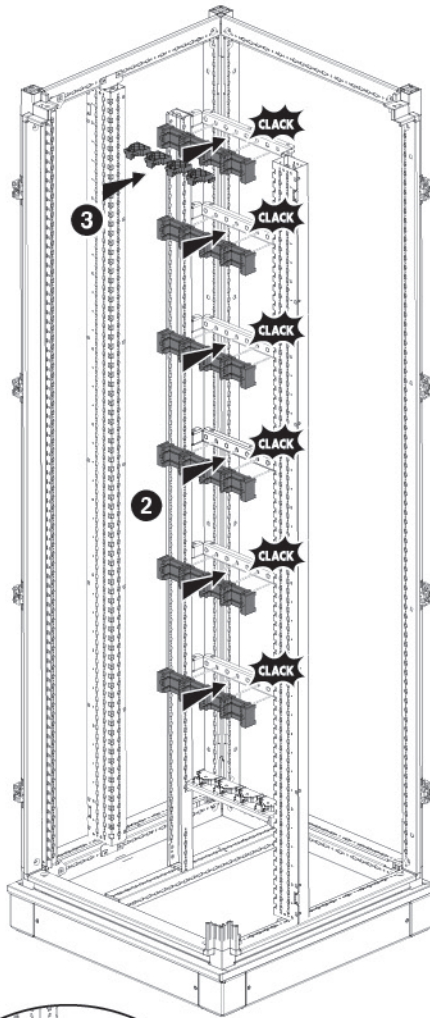
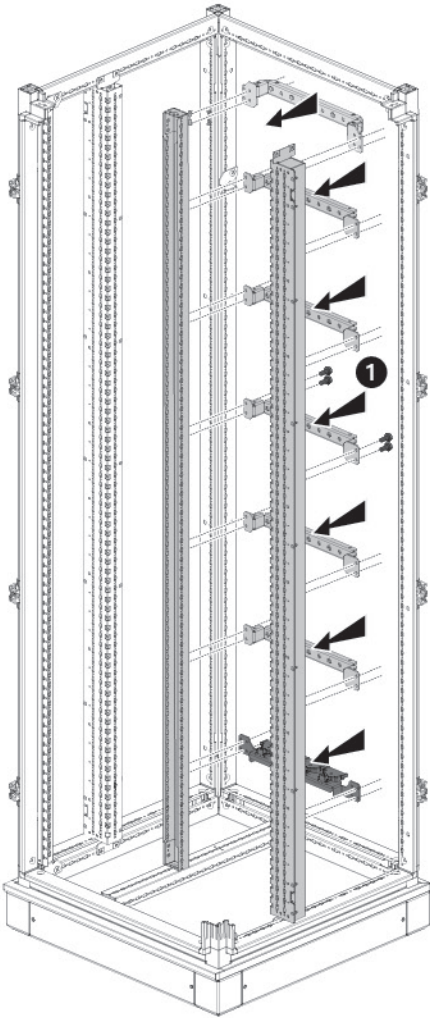
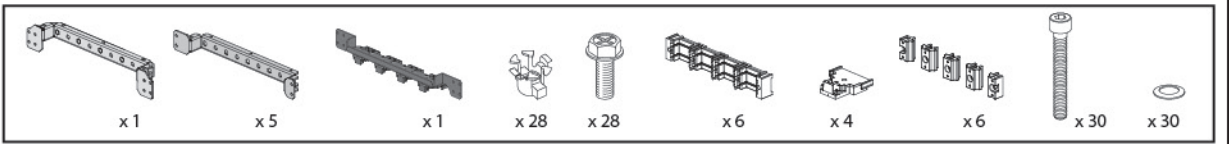
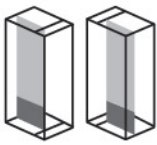
0 208 55/56



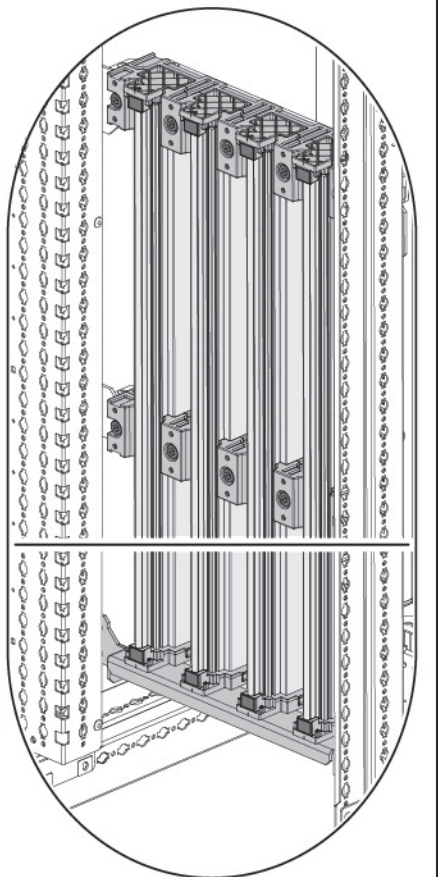
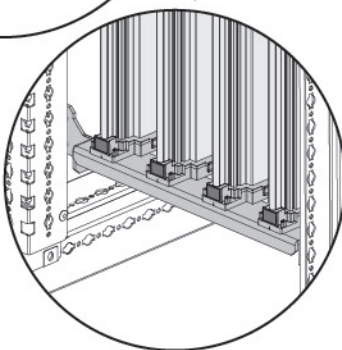
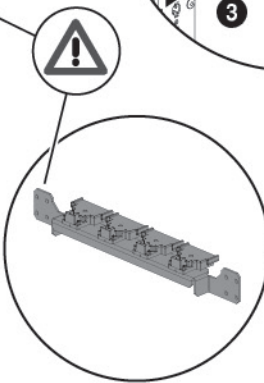
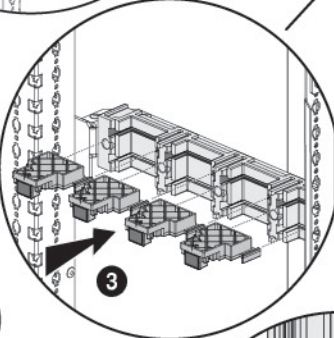


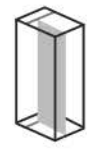
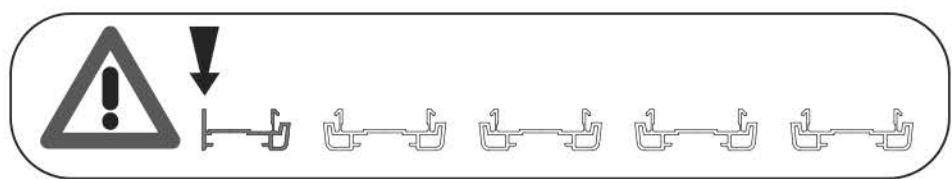
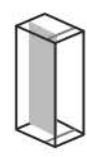
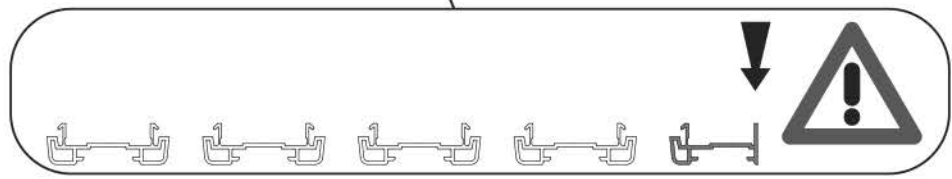
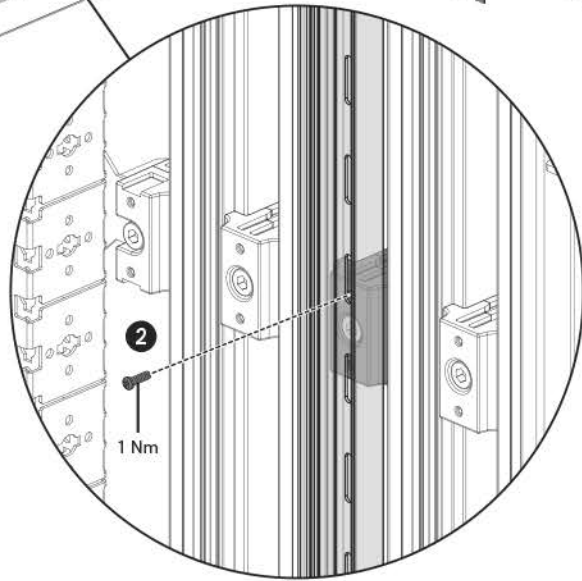
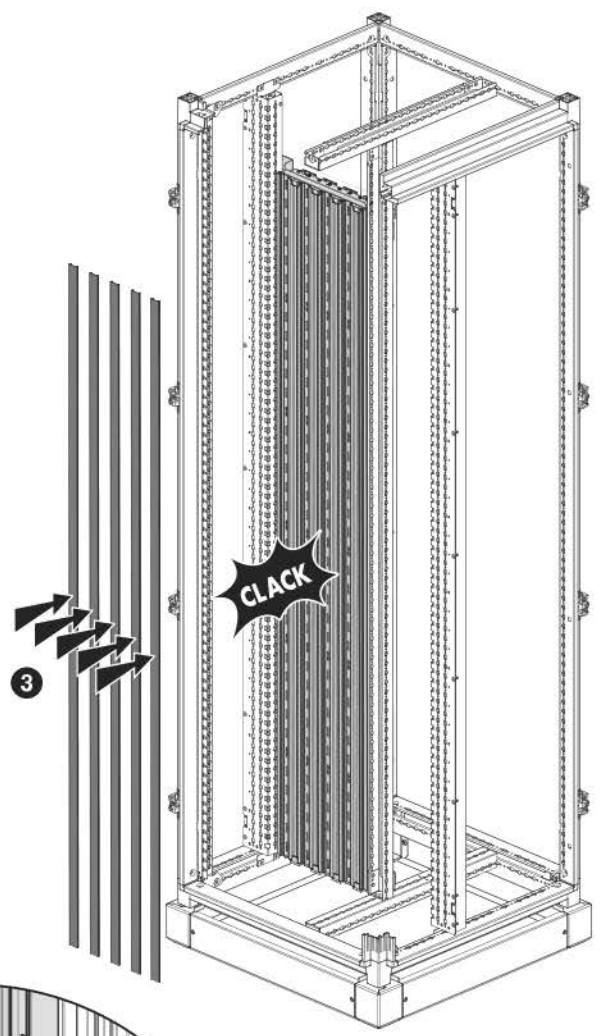
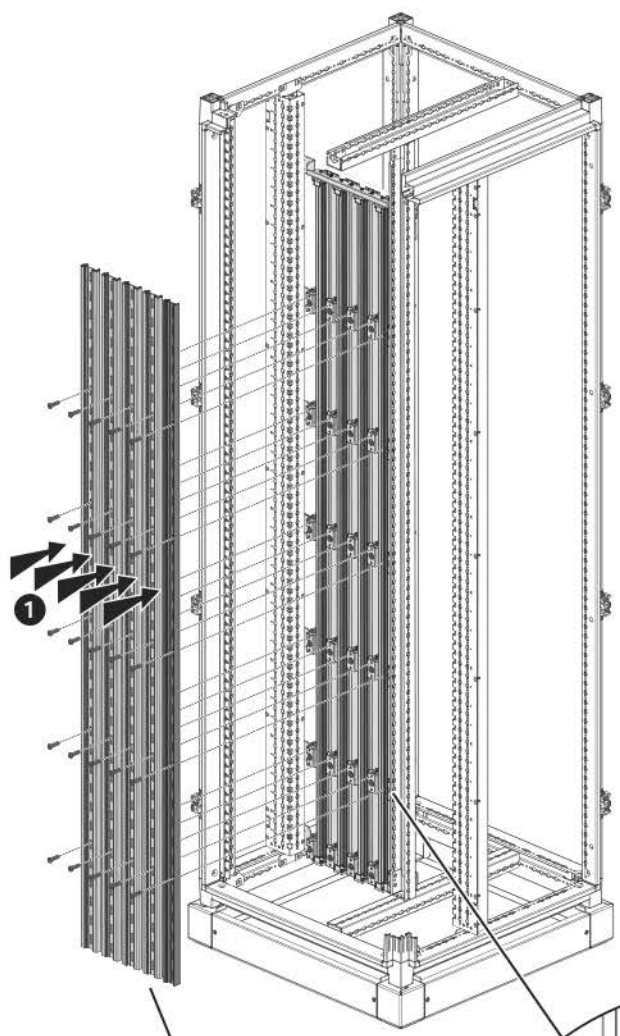
	N	L1	L2	L3
	L3	L2	L1	N

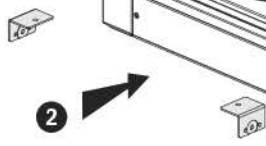
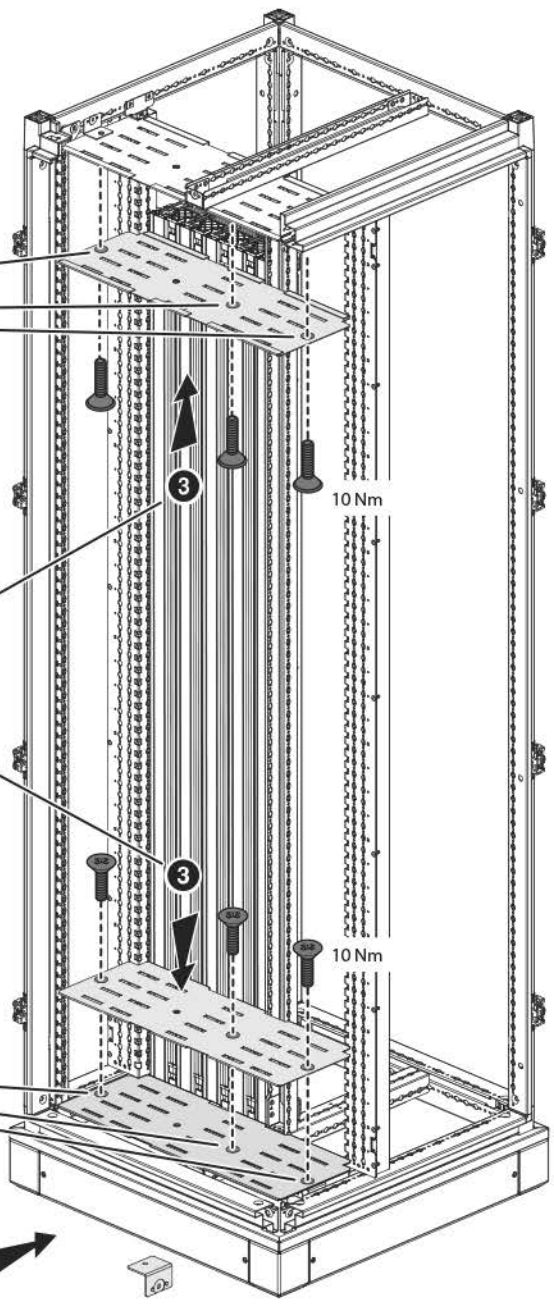
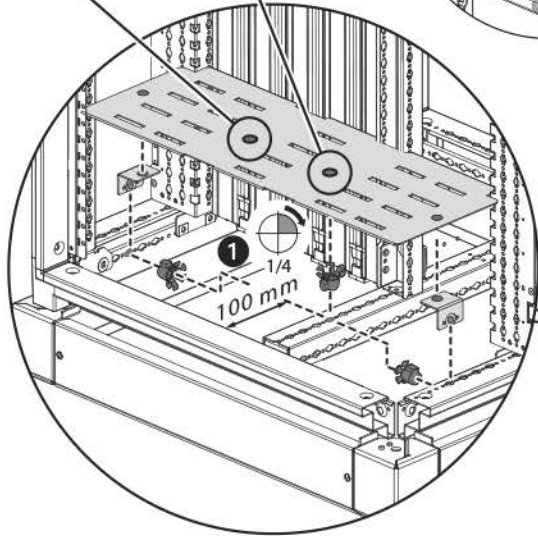
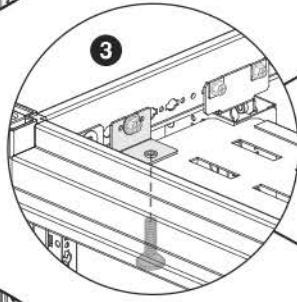
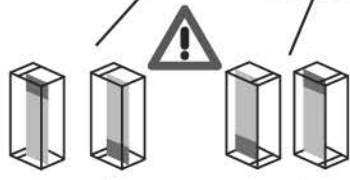
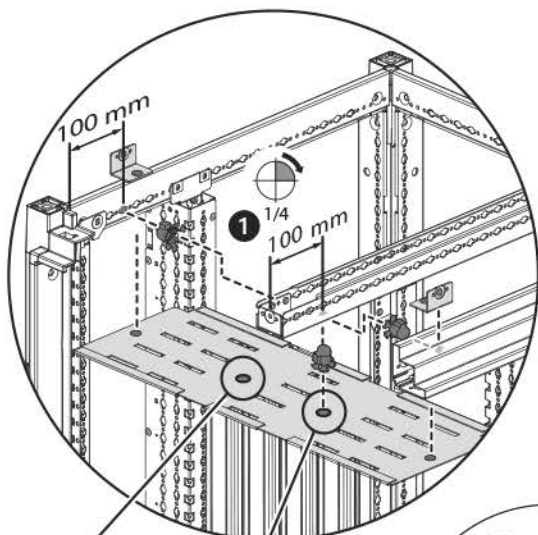
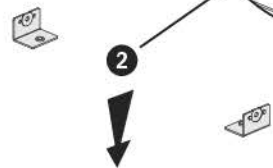
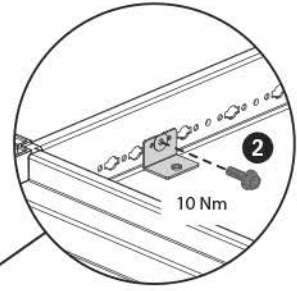
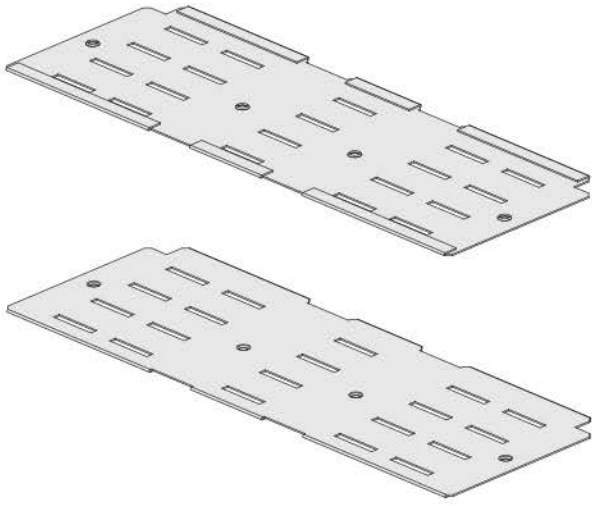
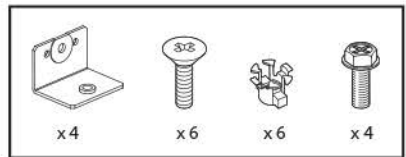


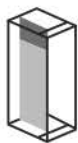


	N	L1	L2	L3
	■	■	■	■
	L3	L2	L1	N
	■	■	■	■

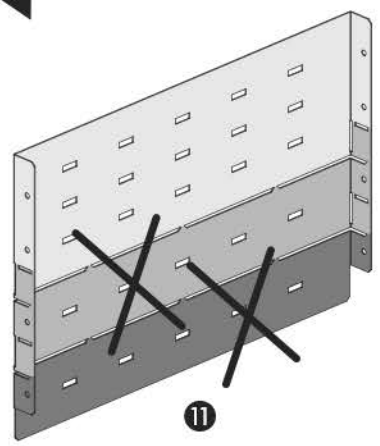
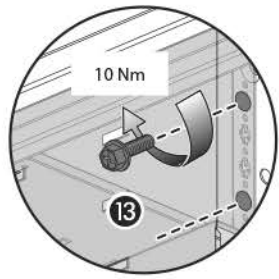
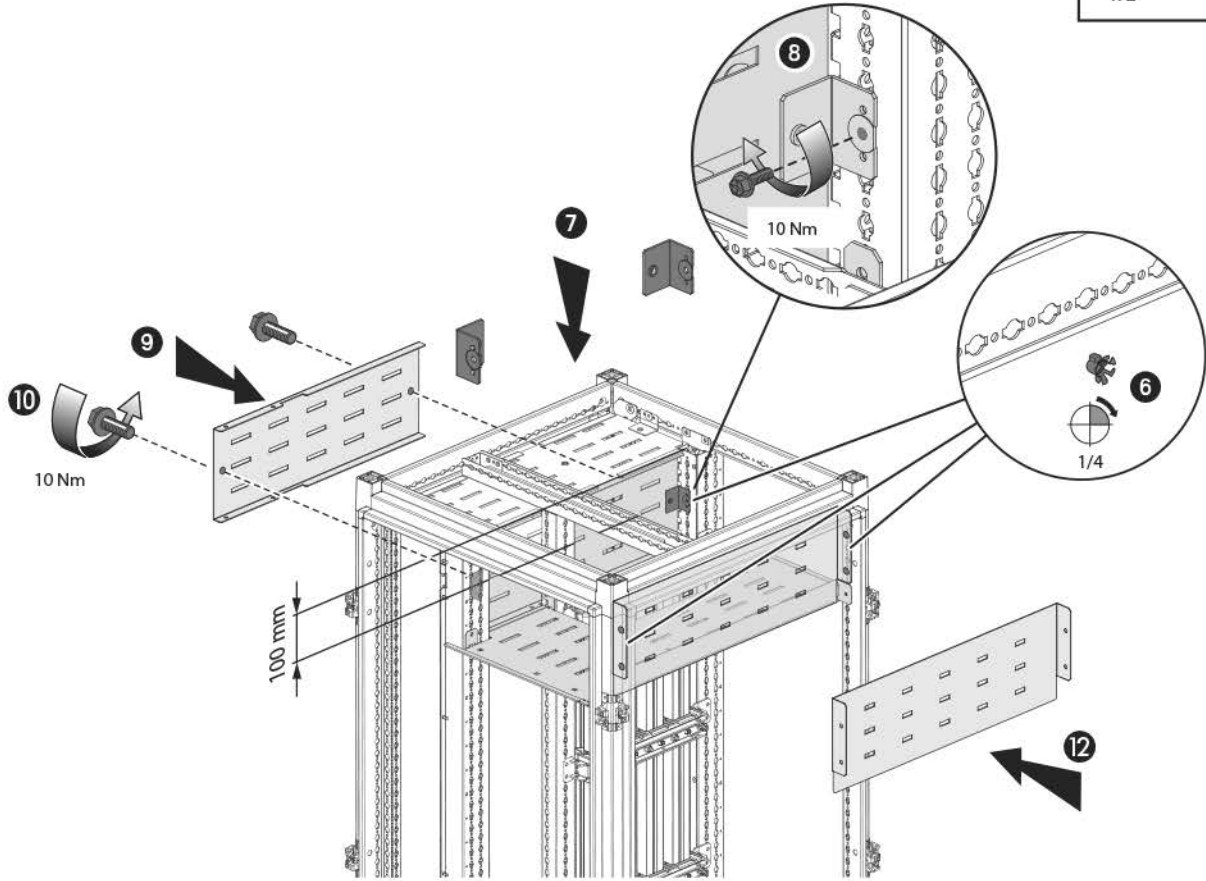
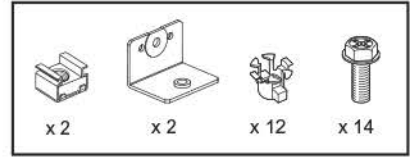
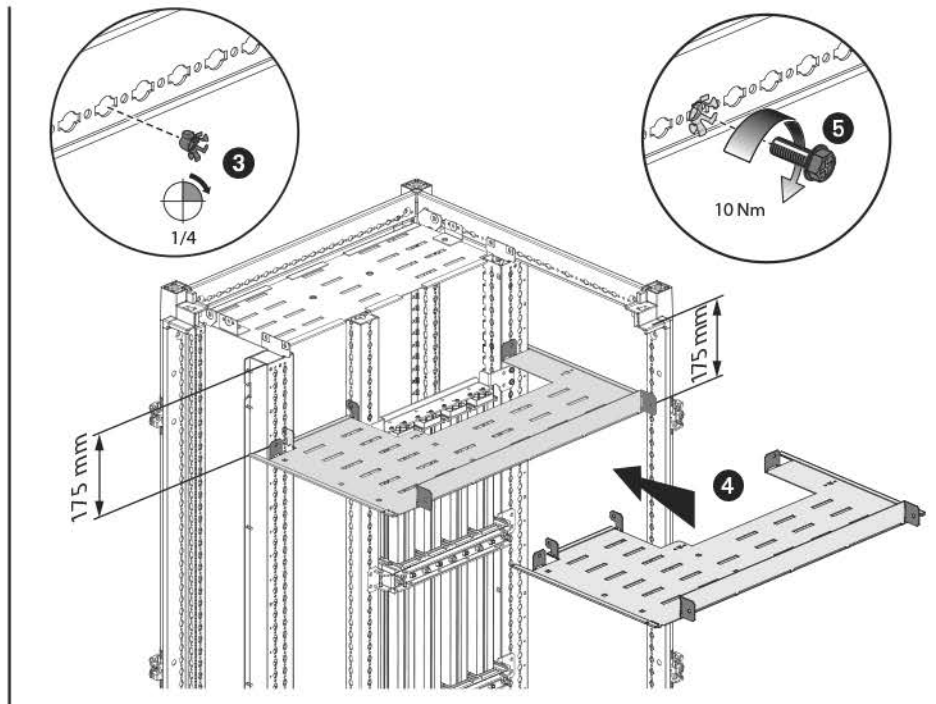
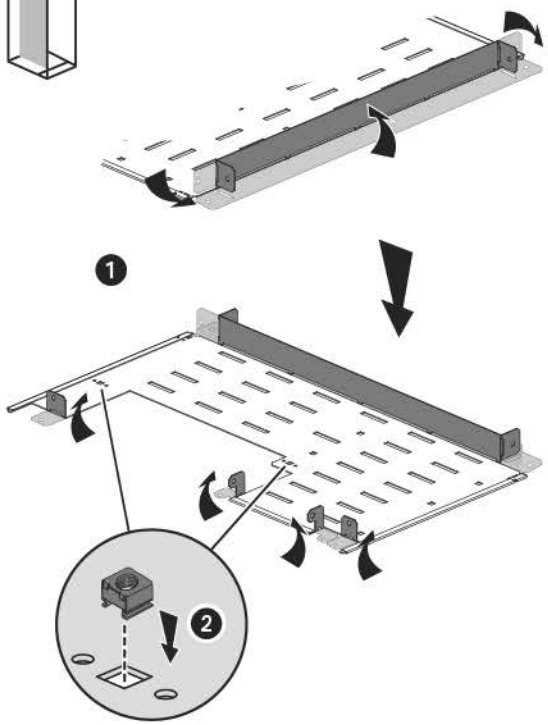


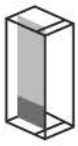




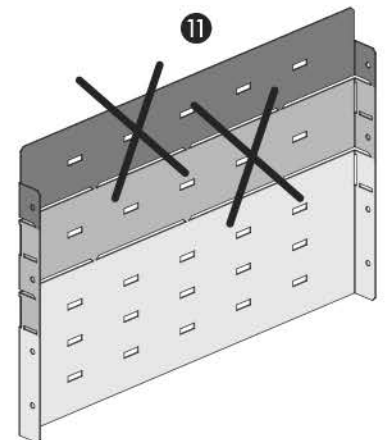
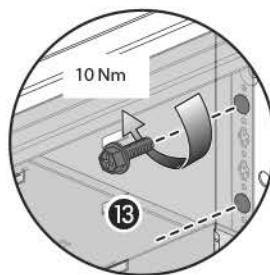
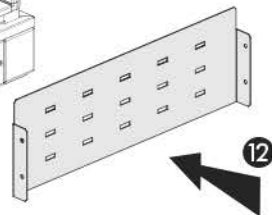
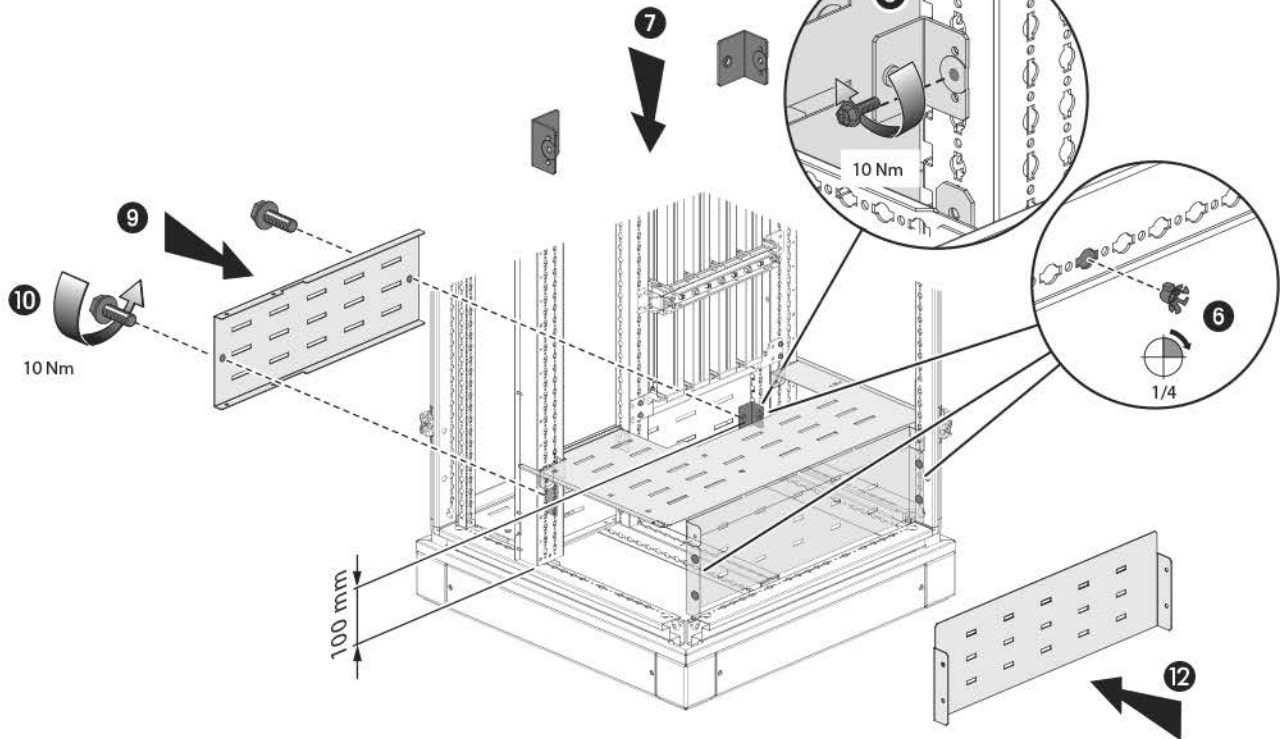
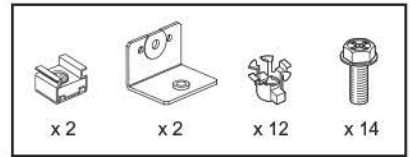
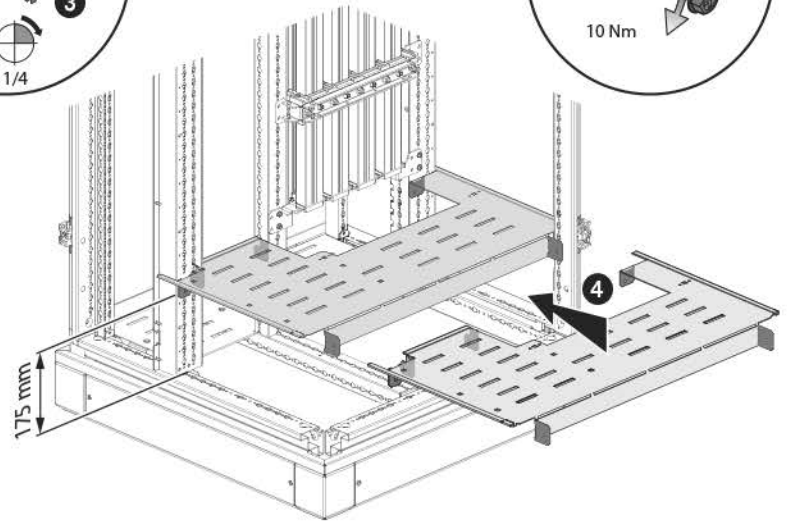
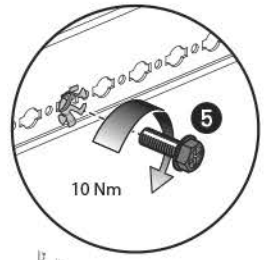
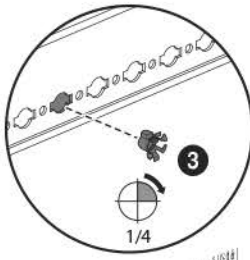
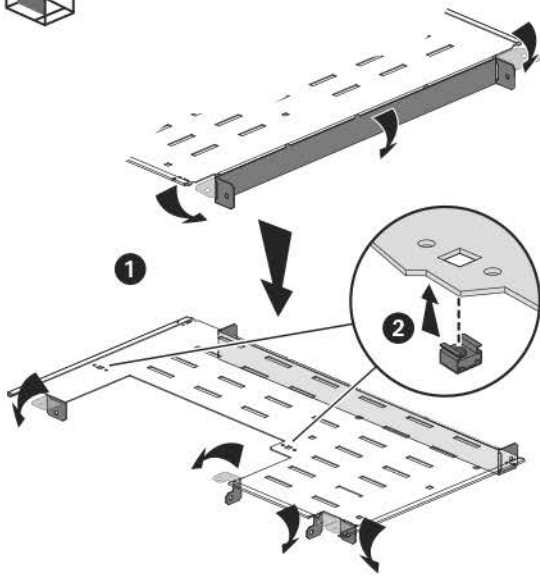


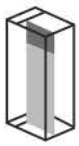
H=200



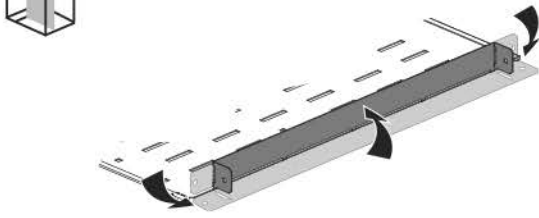


H=200

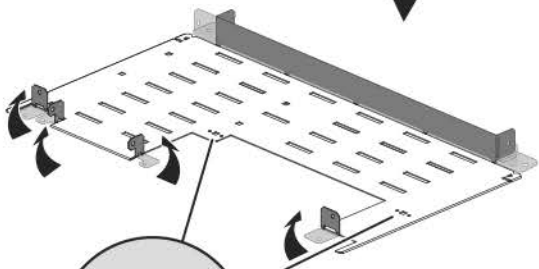




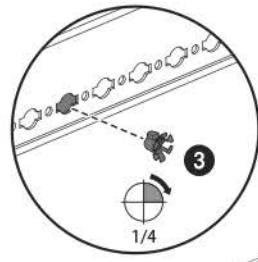
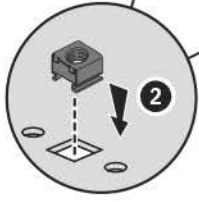
H=200



1

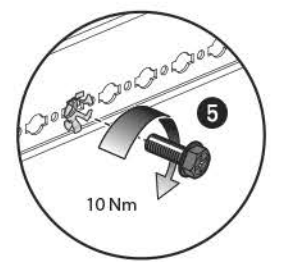


2



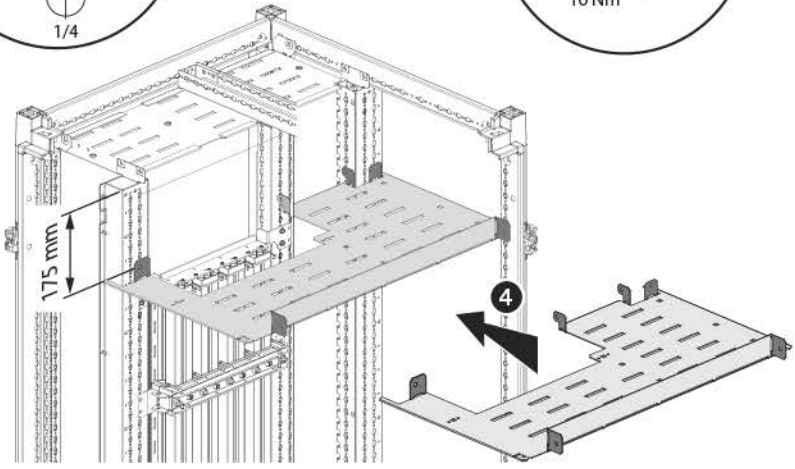
3

1/4



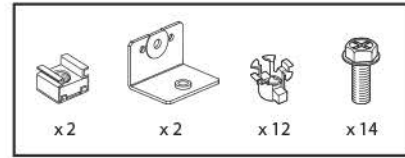
5

10 Nm



4

175 mm

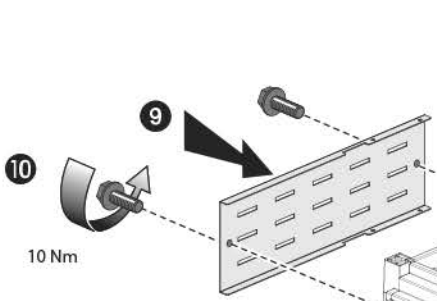


x2

x2

x12

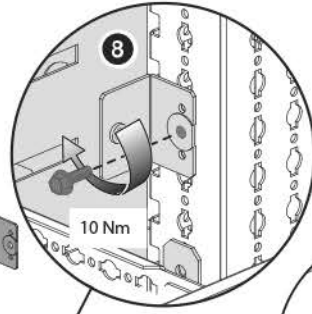
x14



9

10 Nm

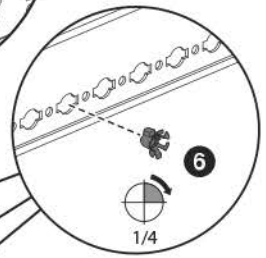
7



8

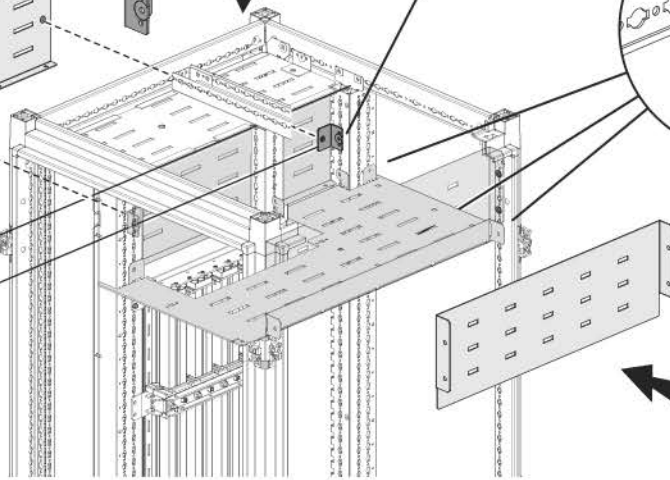
10 Nm

100 mm

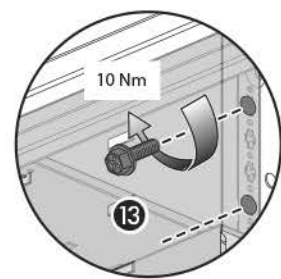


6

1/4

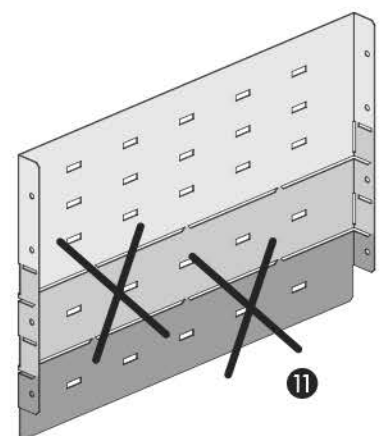


12



10 Nm

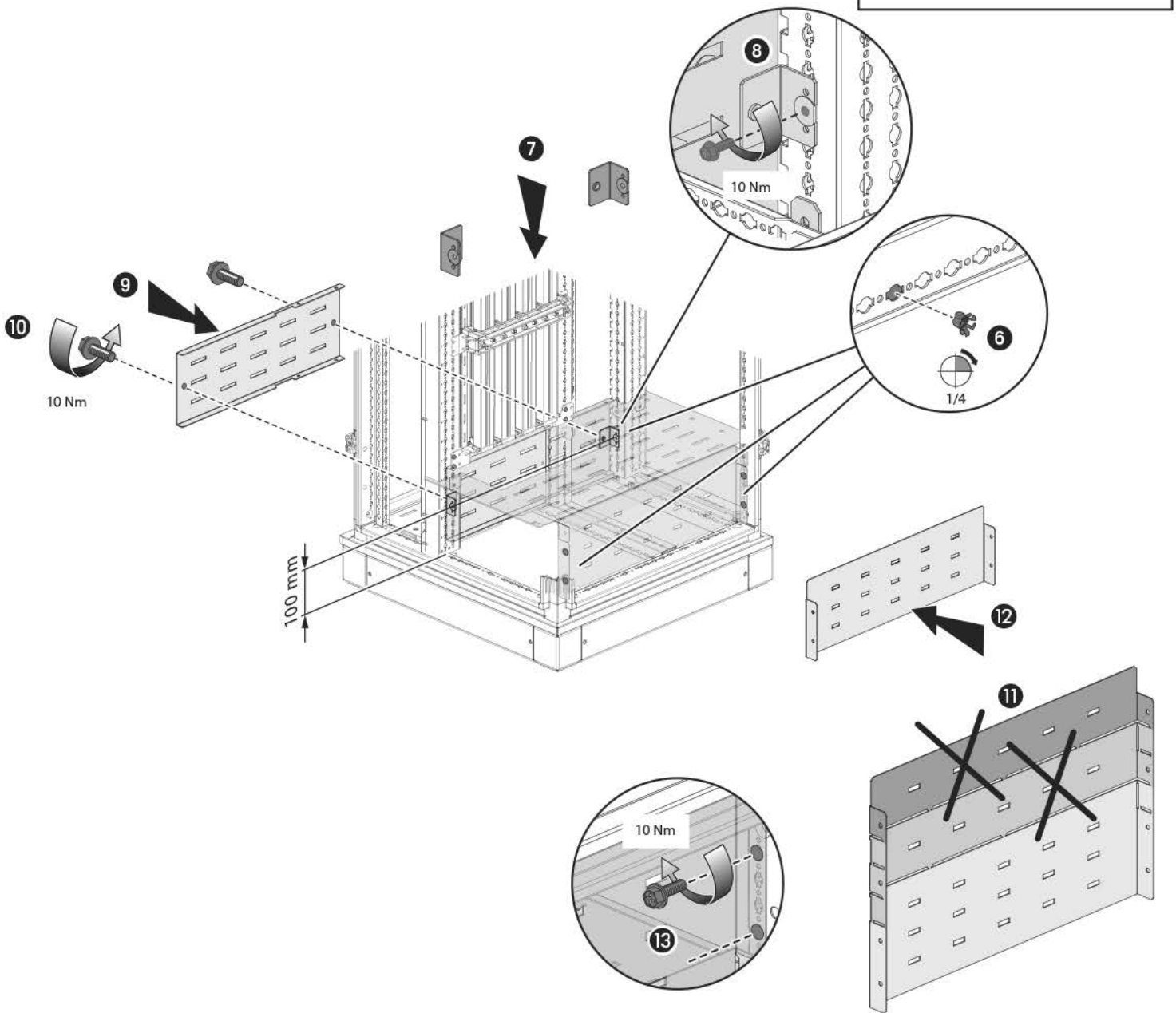
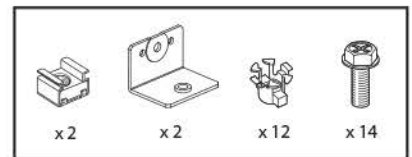
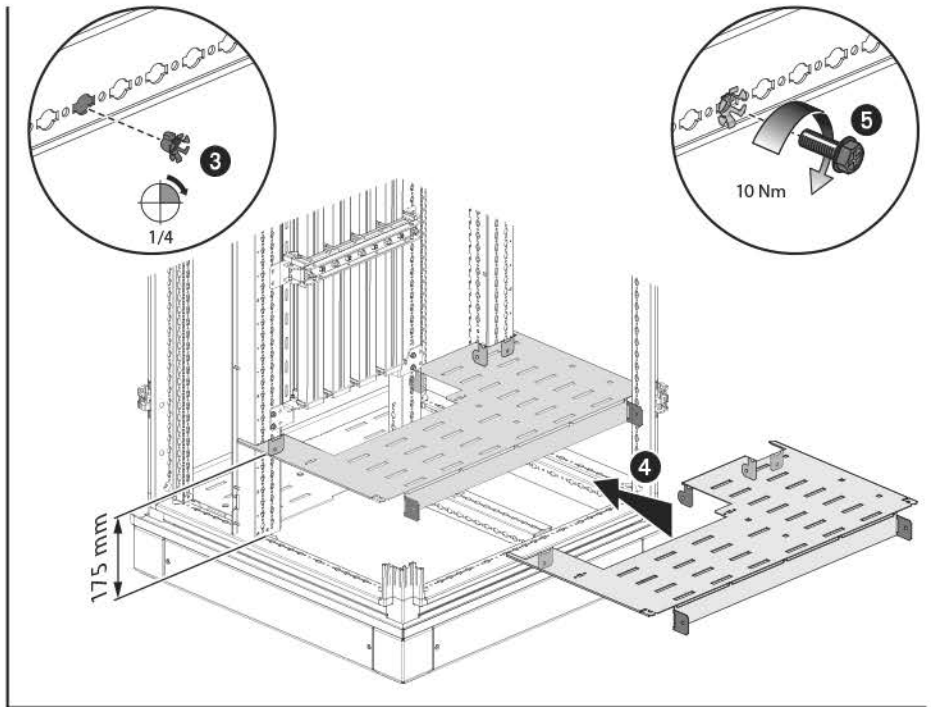
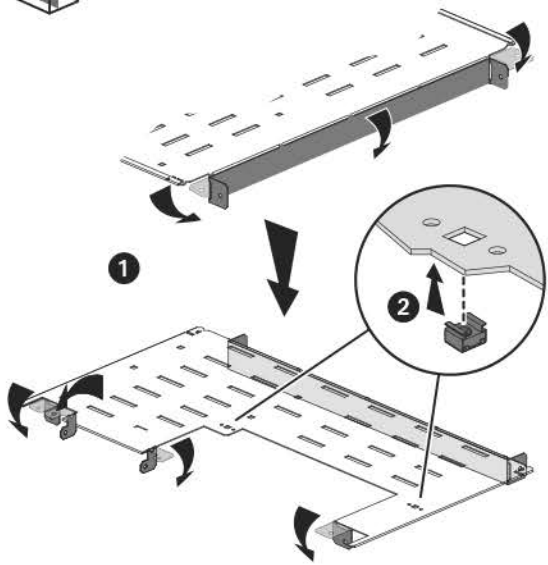
13

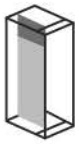


11

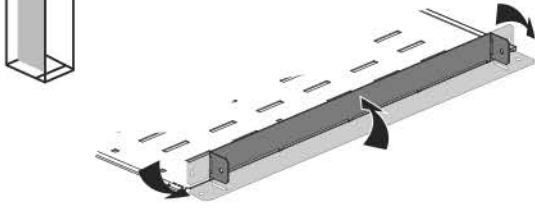


H=200

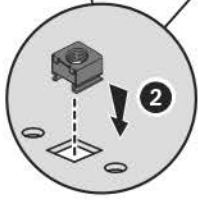
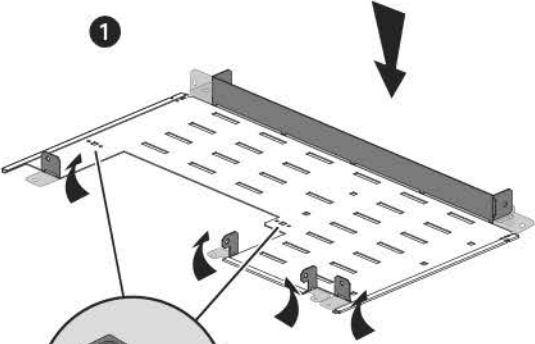




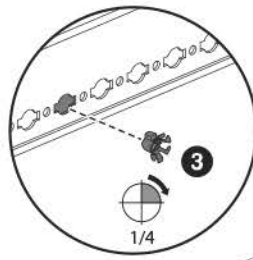
H=300



1

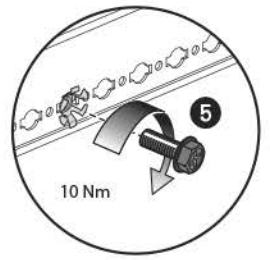


2



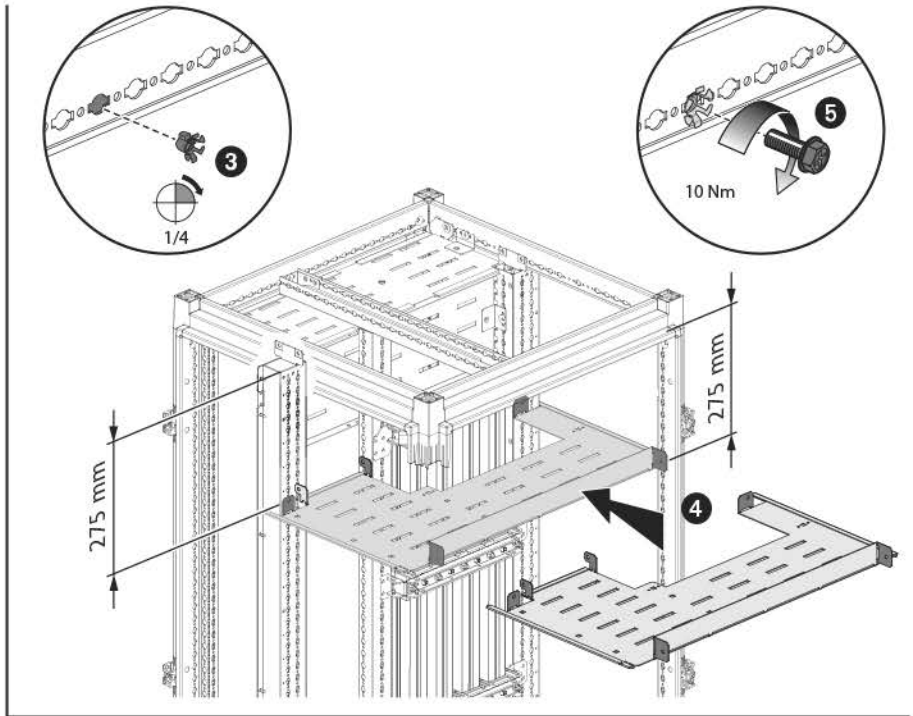
3

1/4



5

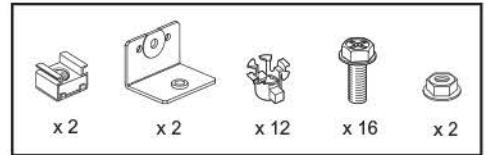
10 Nm



275 mm

275 mm

4



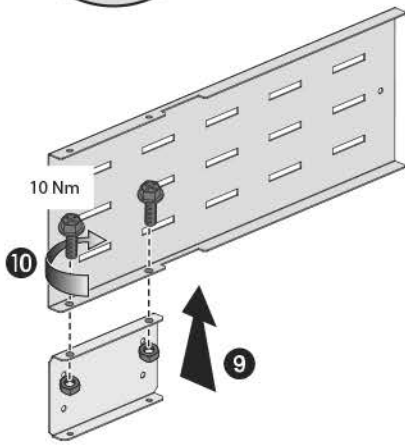
x 2

x 2

x 12

x 16

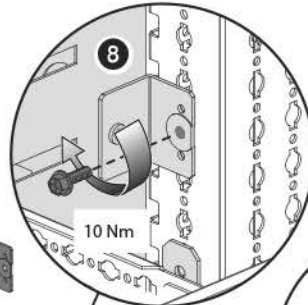
x 2



10 Nm

10

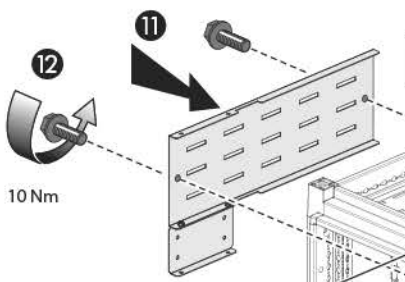
9



8

10 Nm

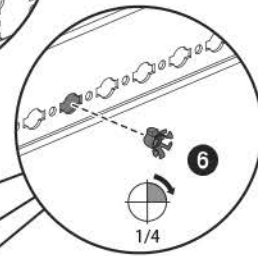
7



11

10 Nm

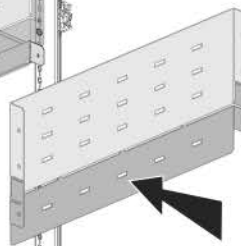
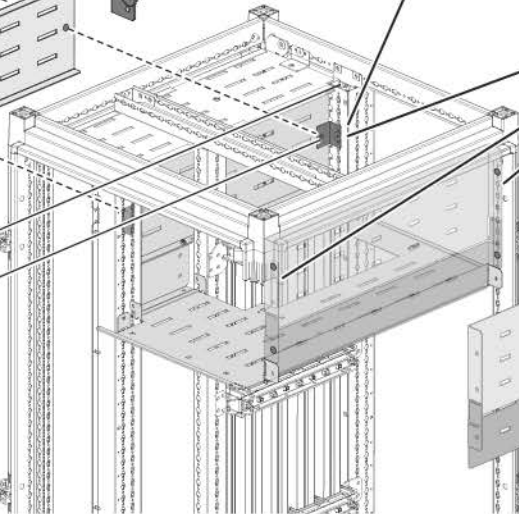
12



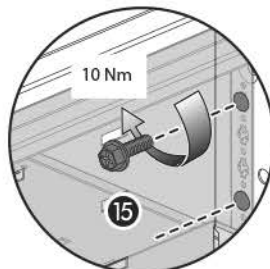
6

1/4

100 mm

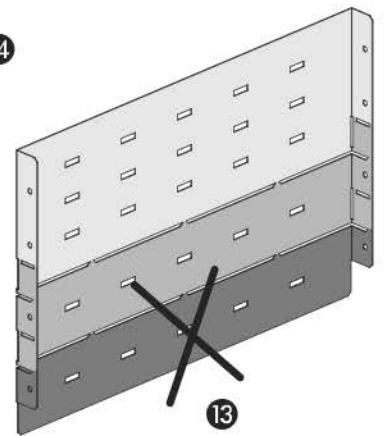


14

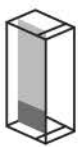


15

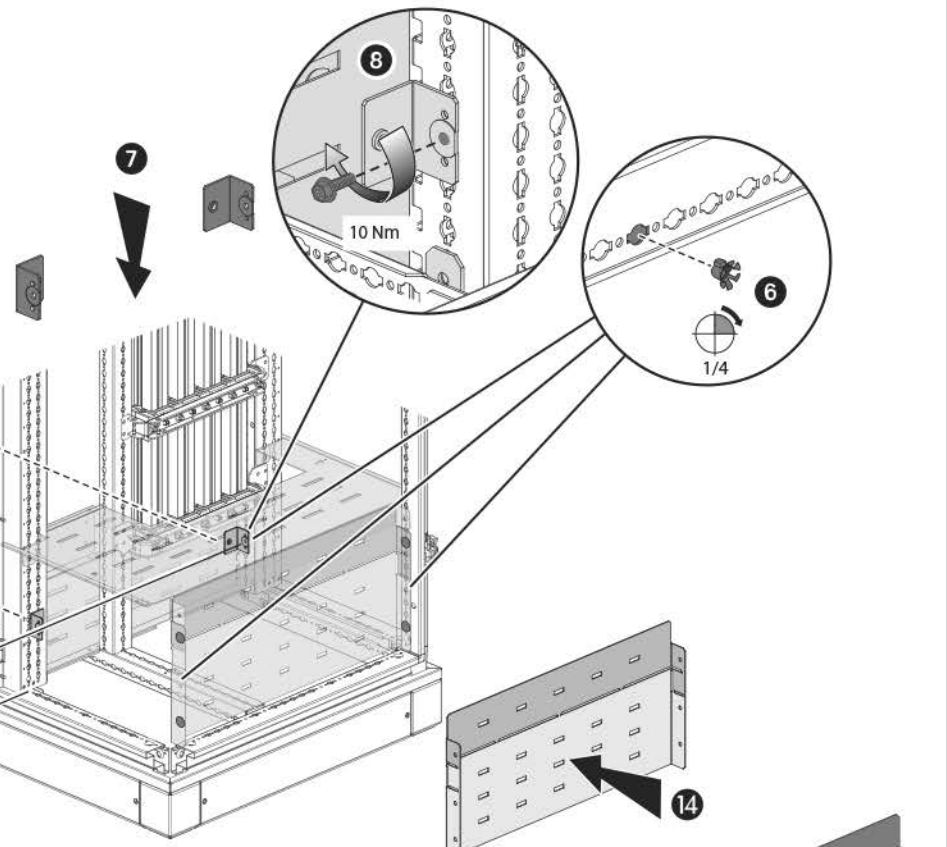
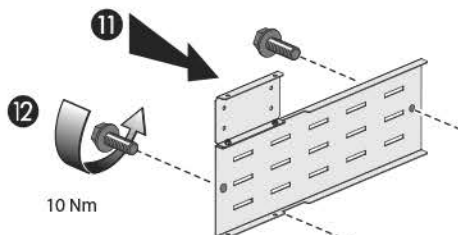
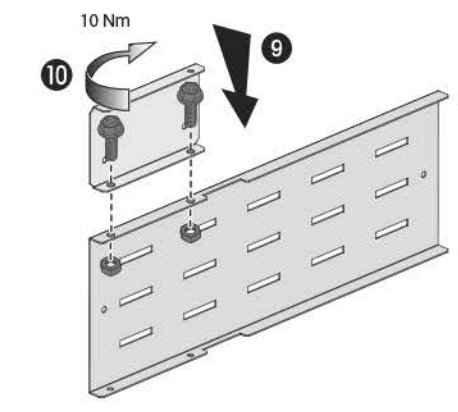
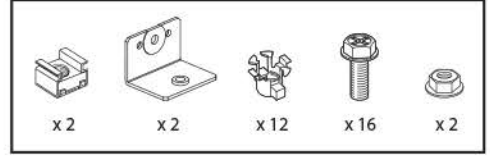
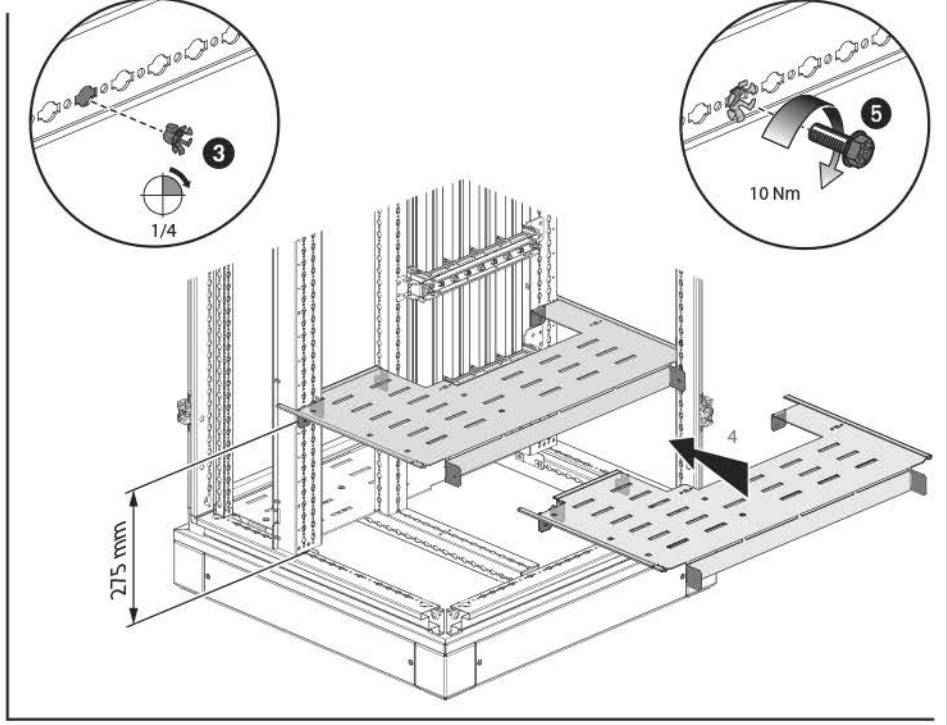
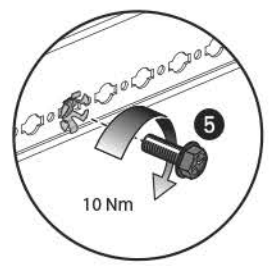
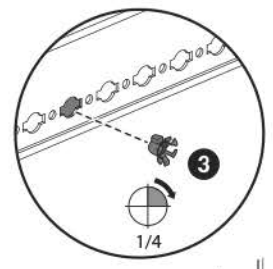
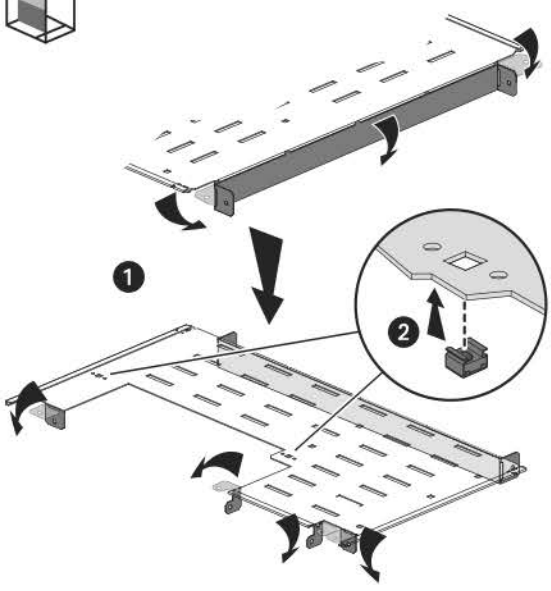
10 Nm



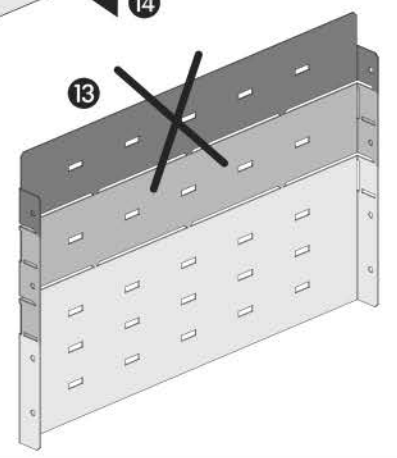
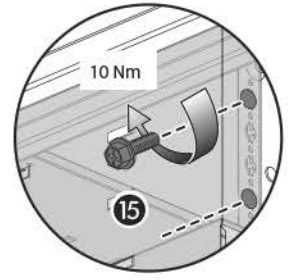
13

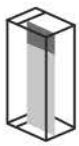


H=300

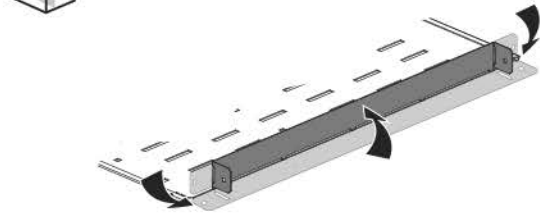


100 mm

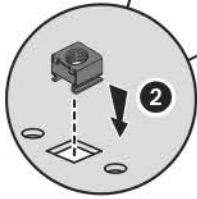
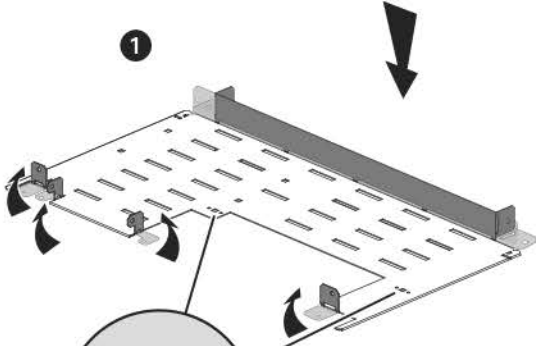




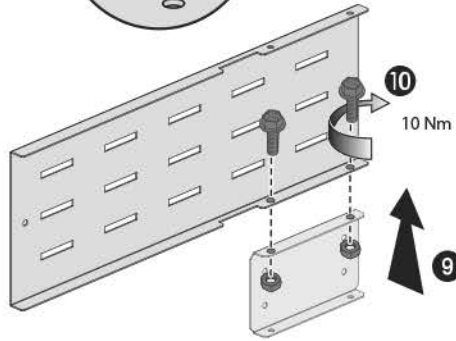
H=300



1



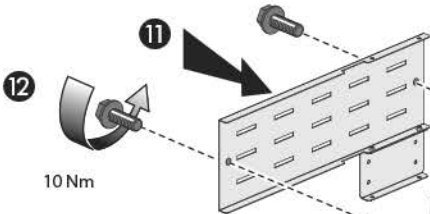
2



10

10 Nm

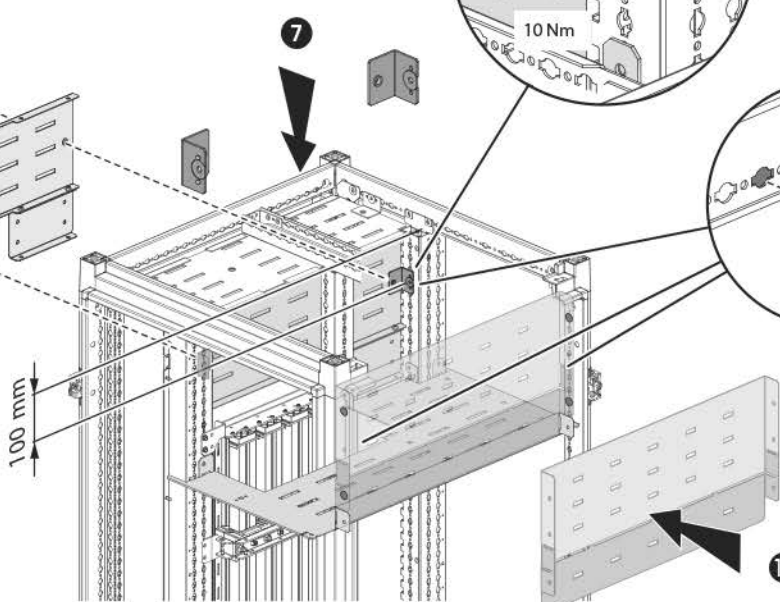
9



11

10 Nm

12



7

8

10 Nm

6

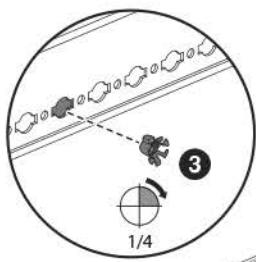
1/4

14

15

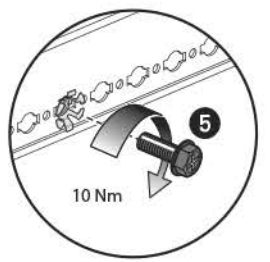
10 Nm

100 mm



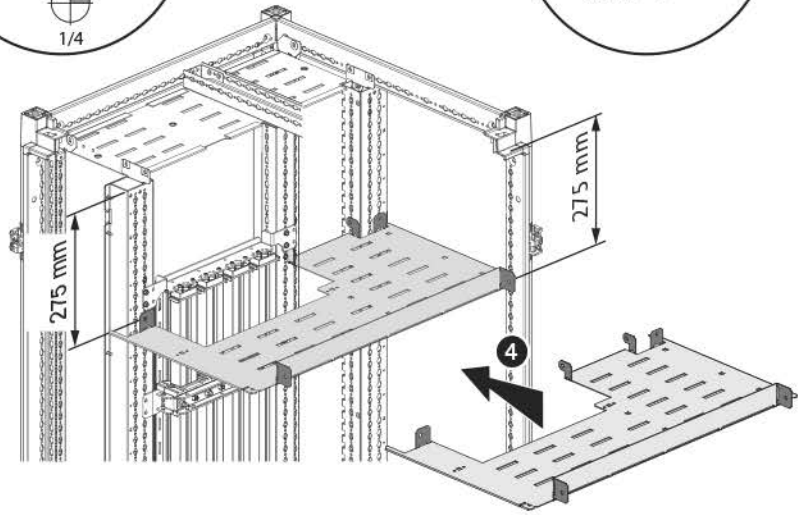
3

1/4



5

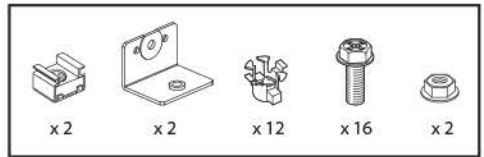
10 Nm



4

275 mm

275 mm



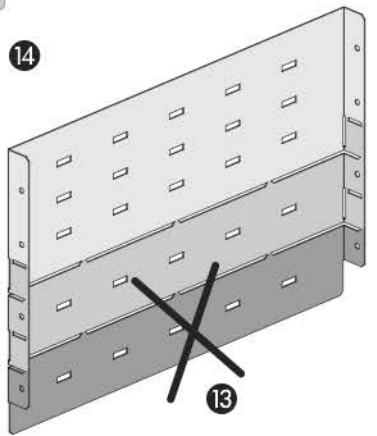
x 2

x 2

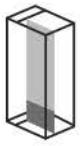
x 12

x 16

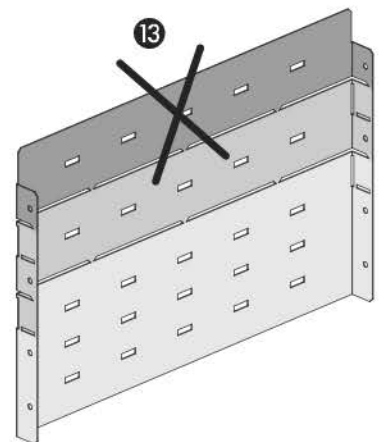
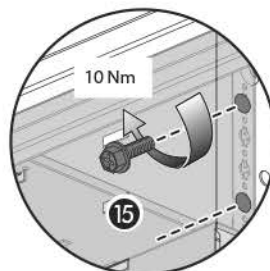
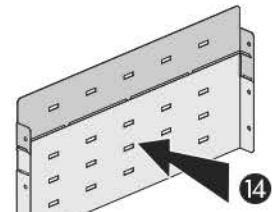
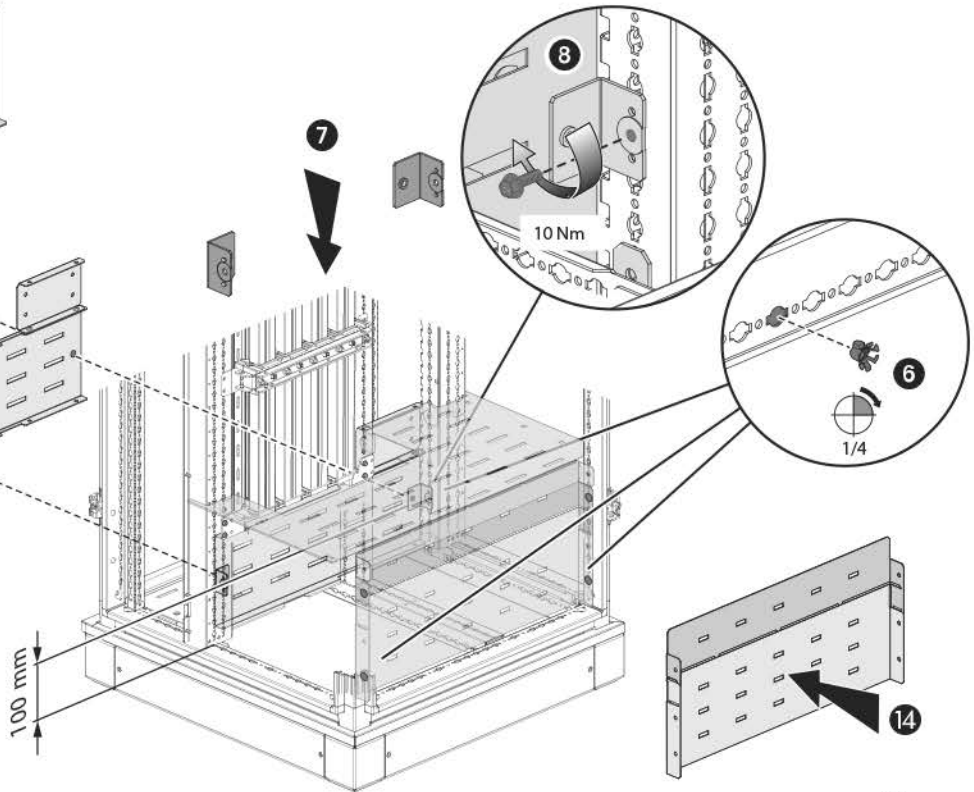
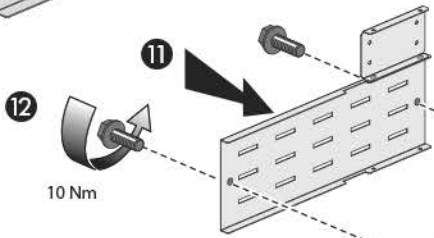
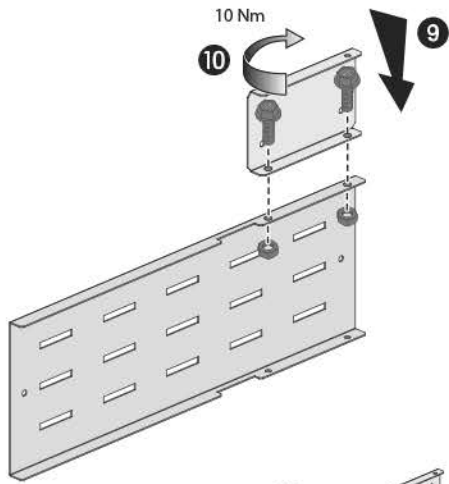
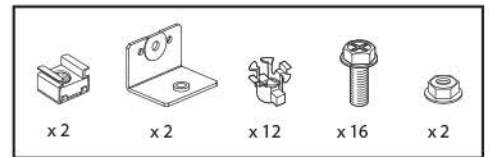
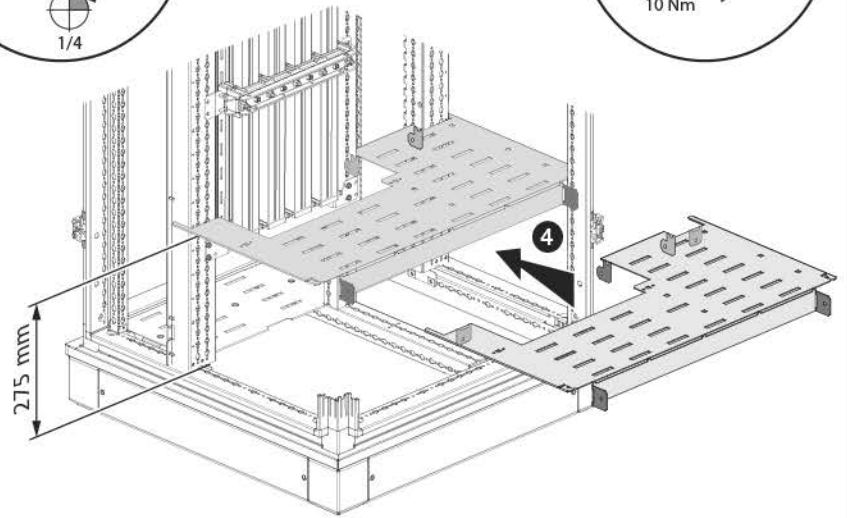
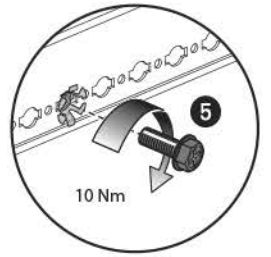
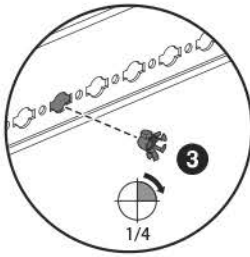
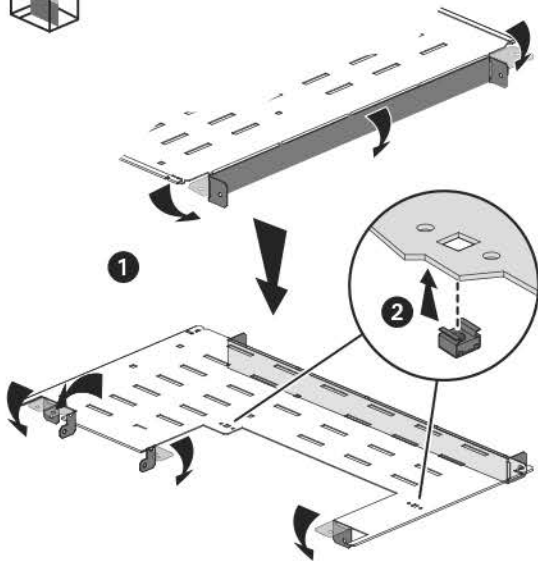
x 2

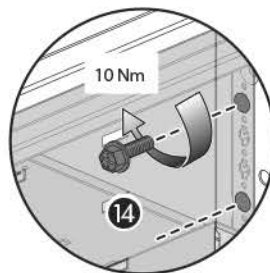
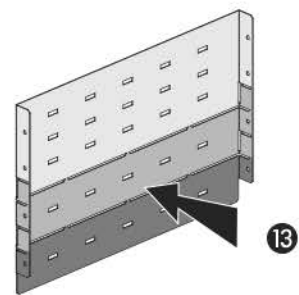
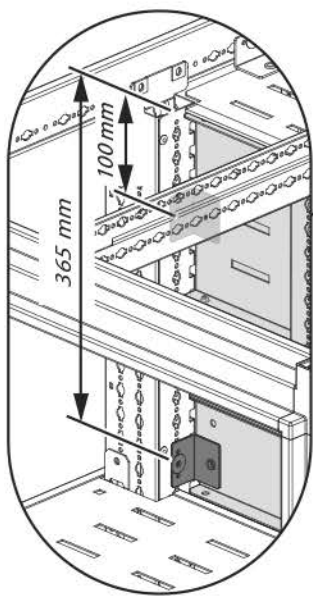
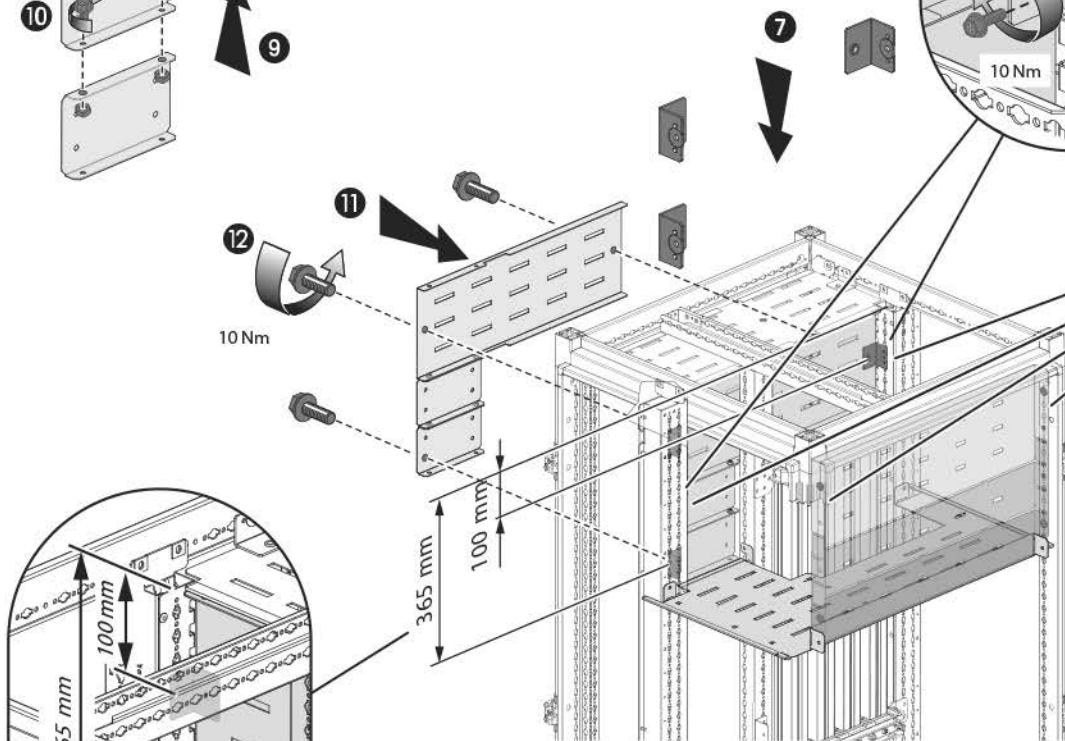
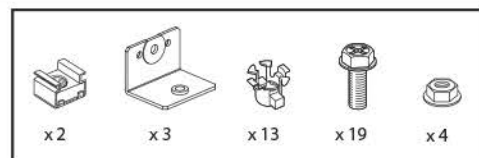
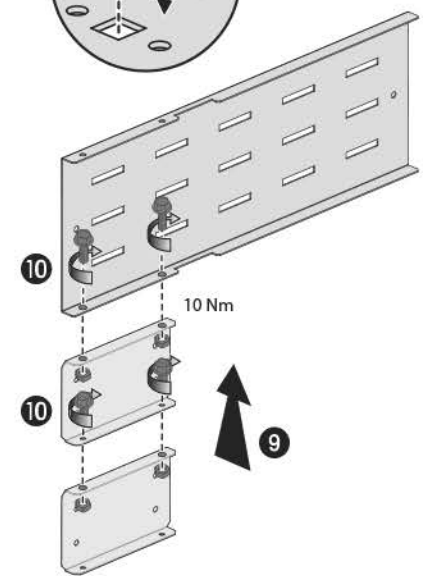
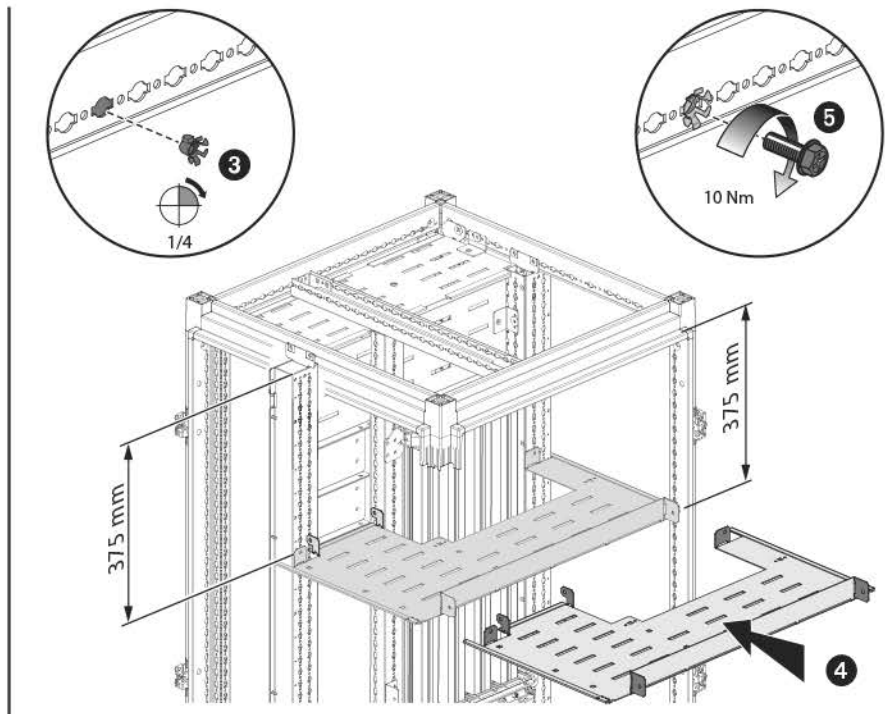
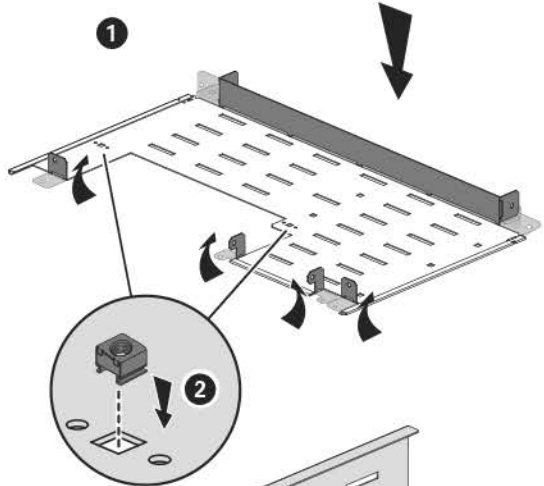
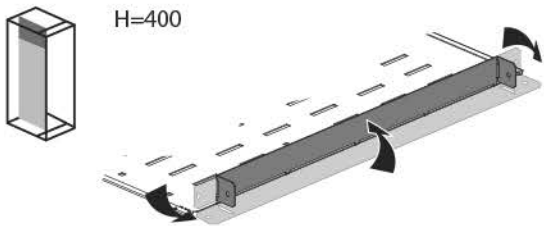


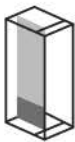
13



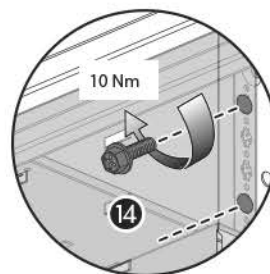
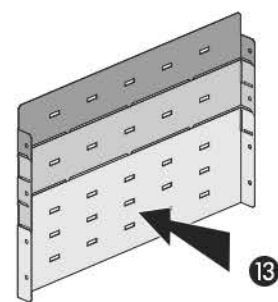
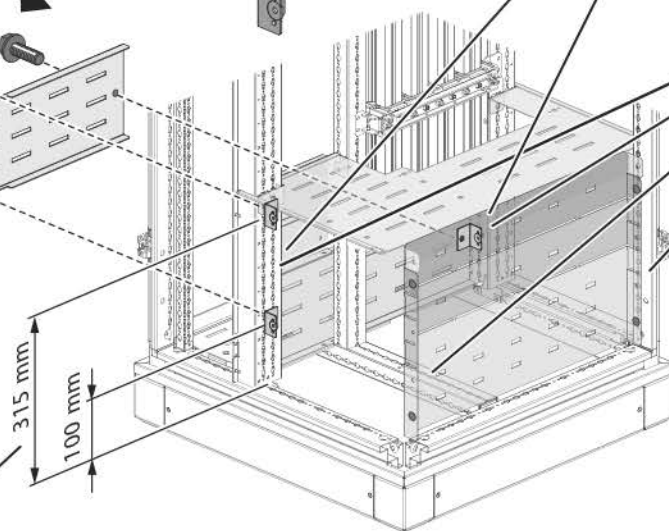
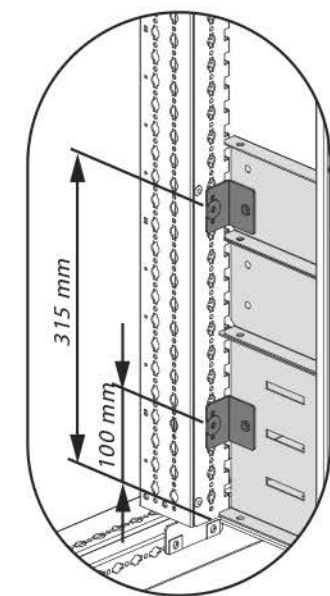
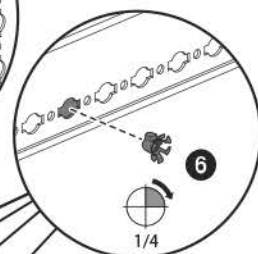
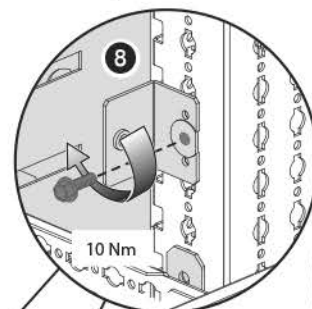
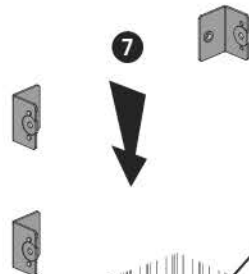
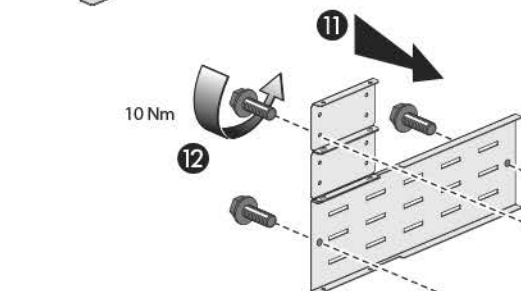
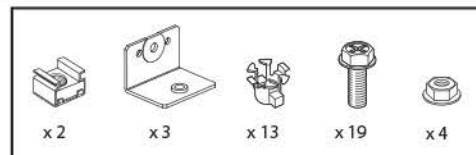
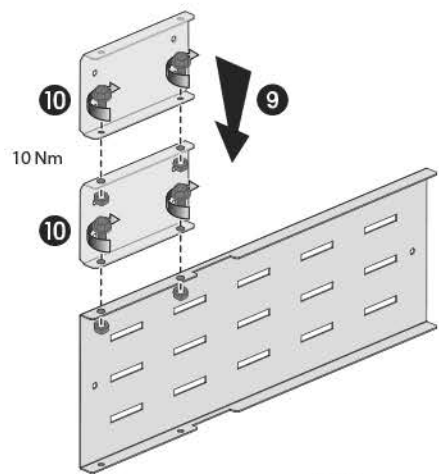
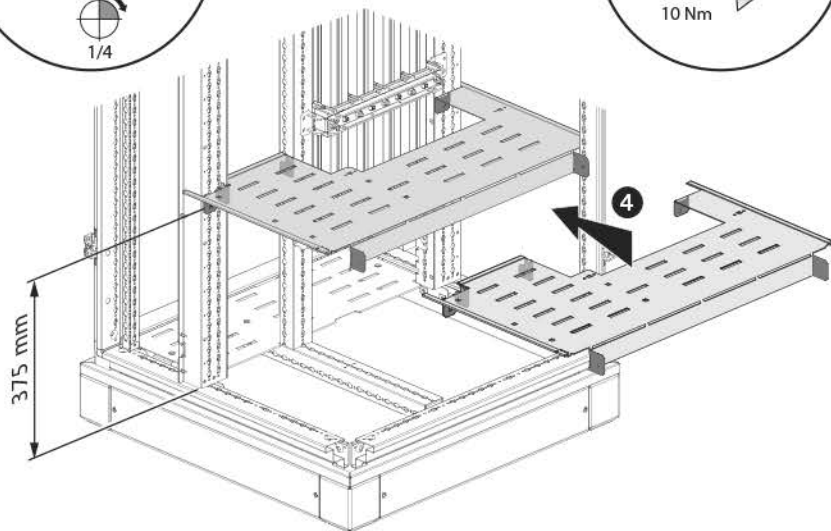
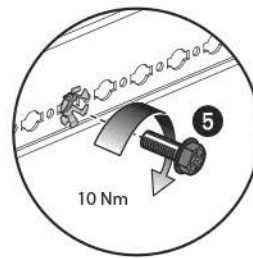
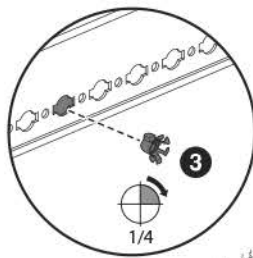
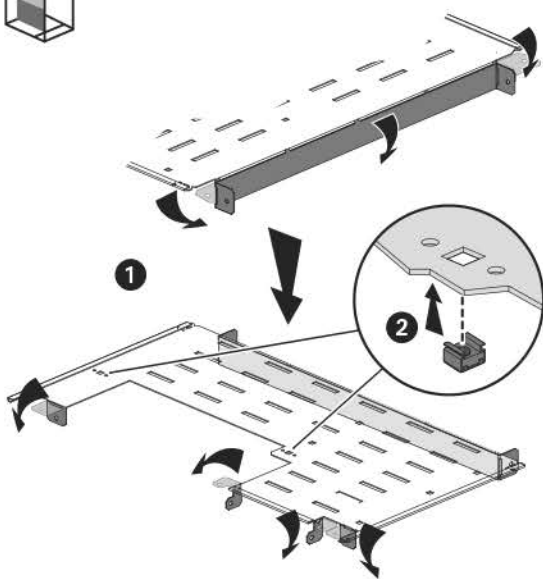
H=300





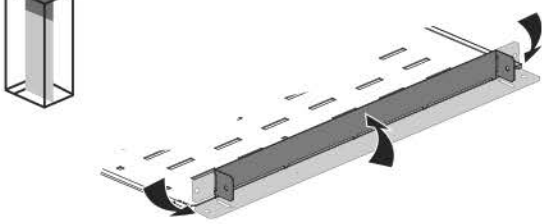


H 400

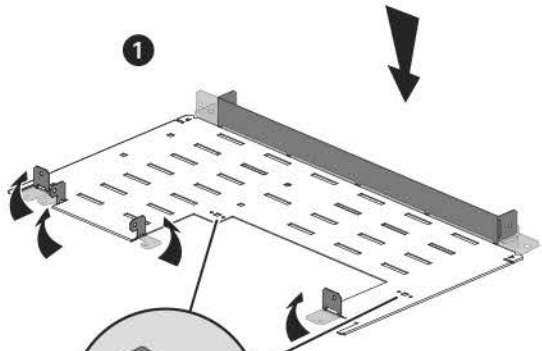




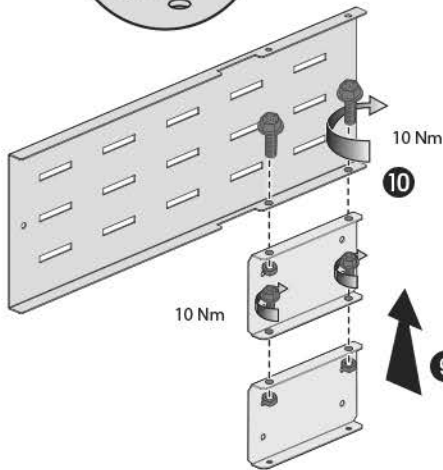
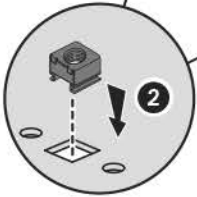
H=400



1



2

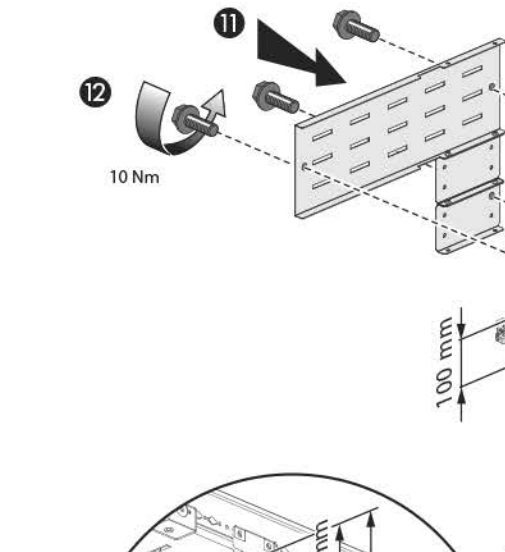


10 Nm

10

10 Nm

9

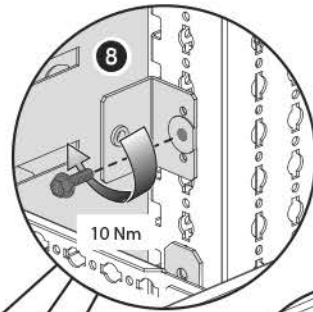


12

10 Nm

11

7

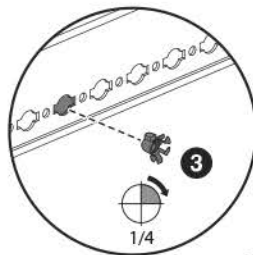


8

10 Nm

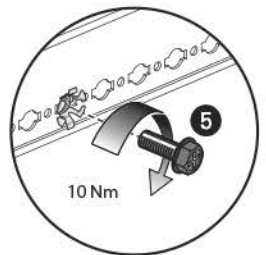
6

1/4



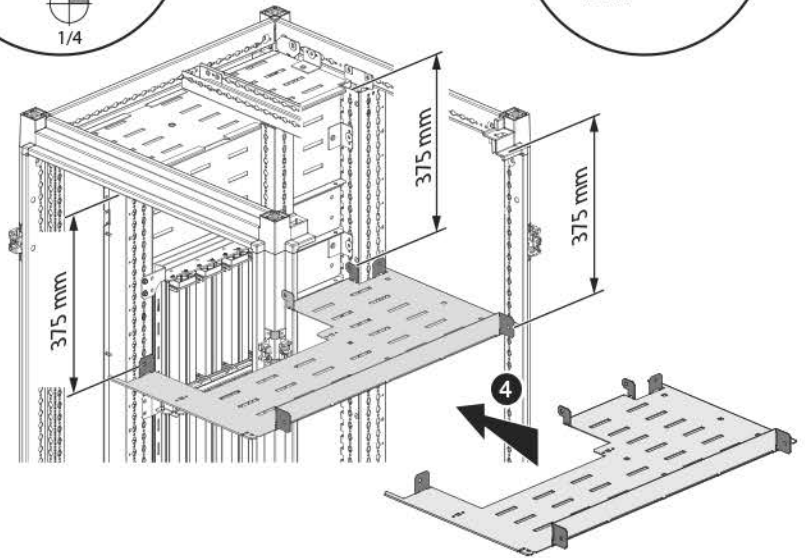
3

1/4

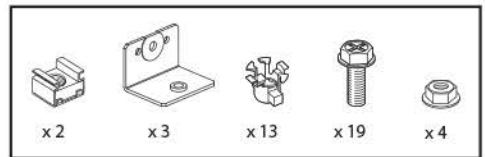


5

10 Nm



4



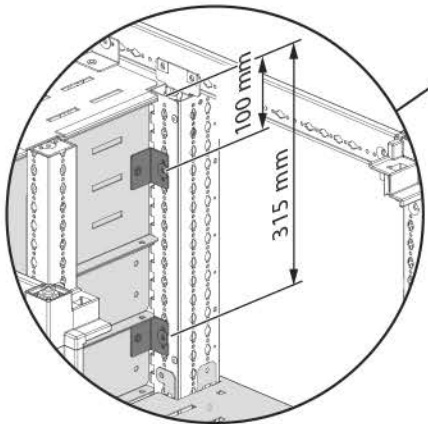
x2

x3

x13

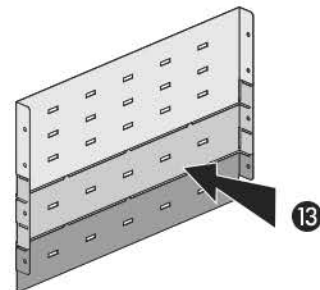
x19

x4

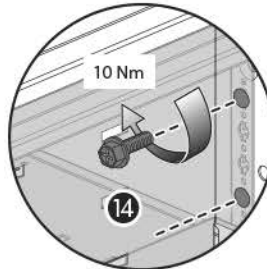


100 mm

315 mm



13

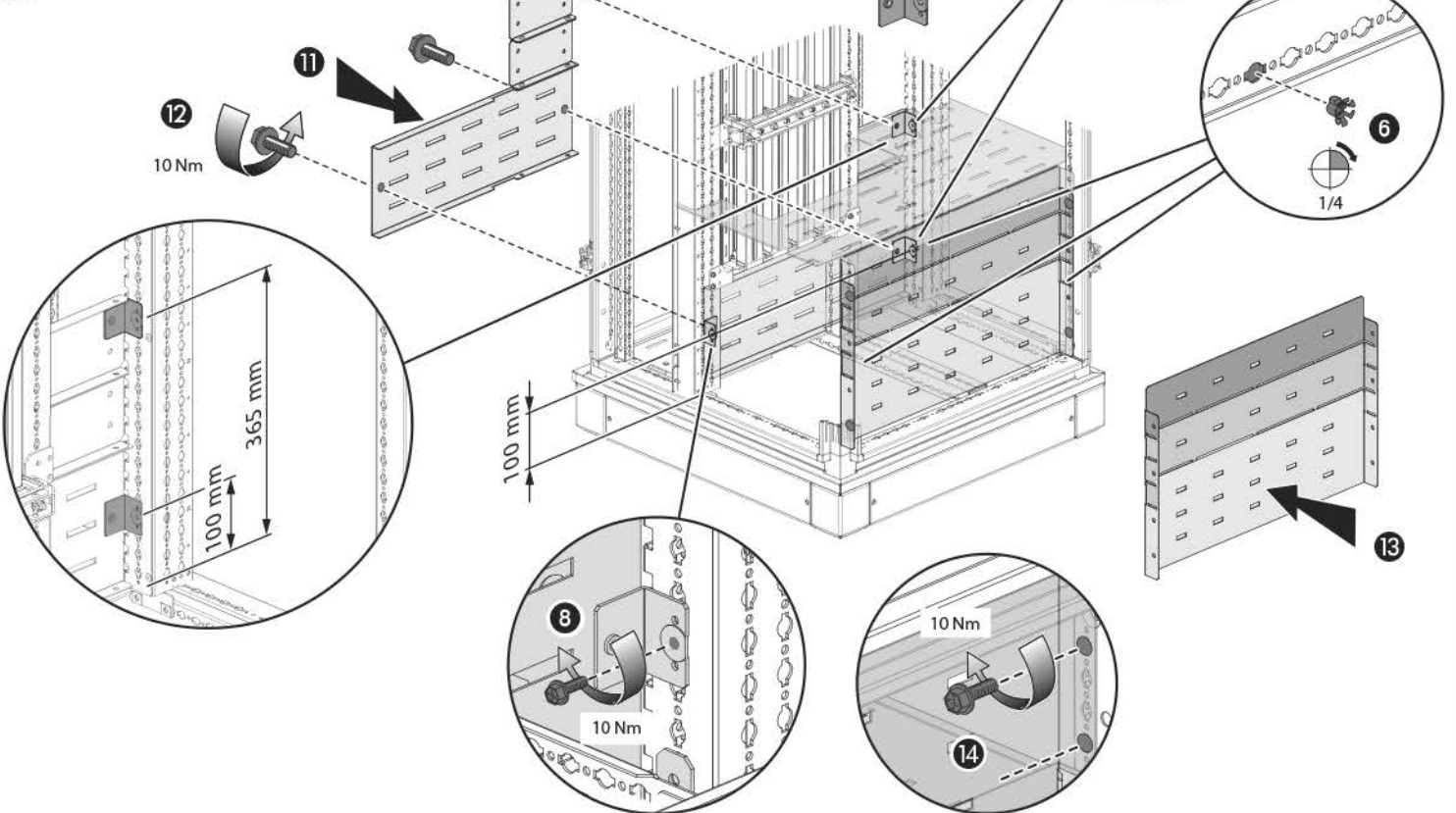
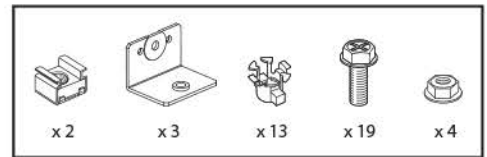
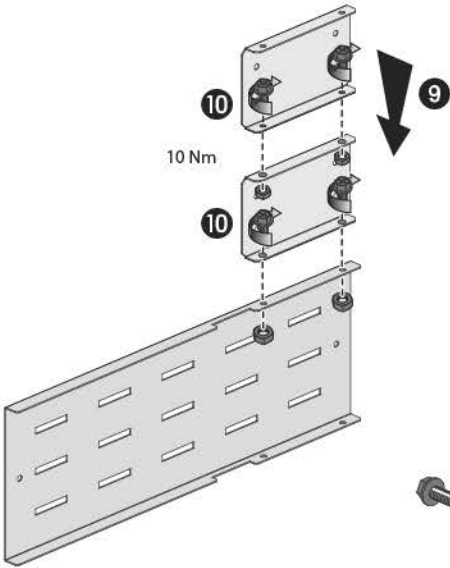
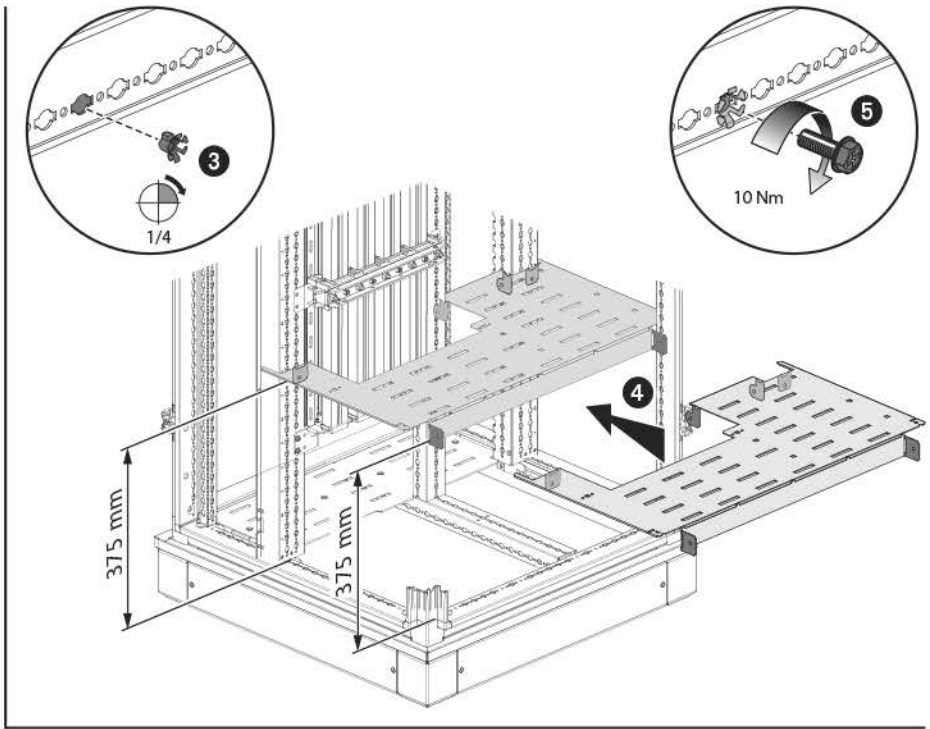
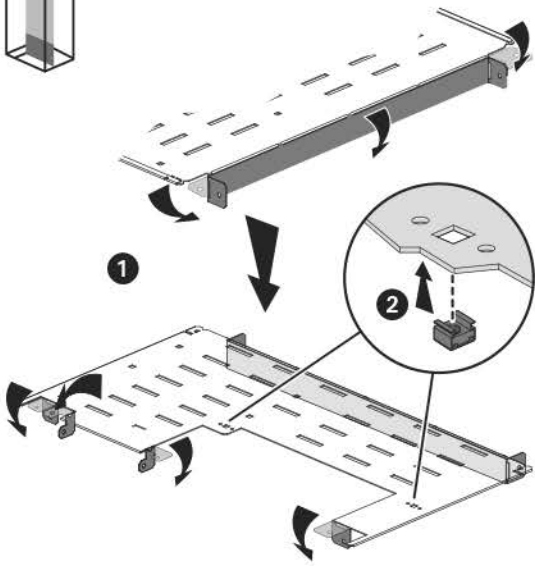


10 Nm

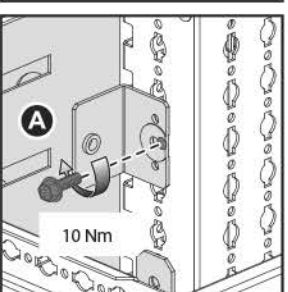
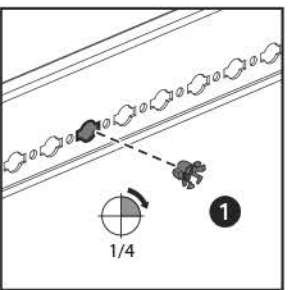
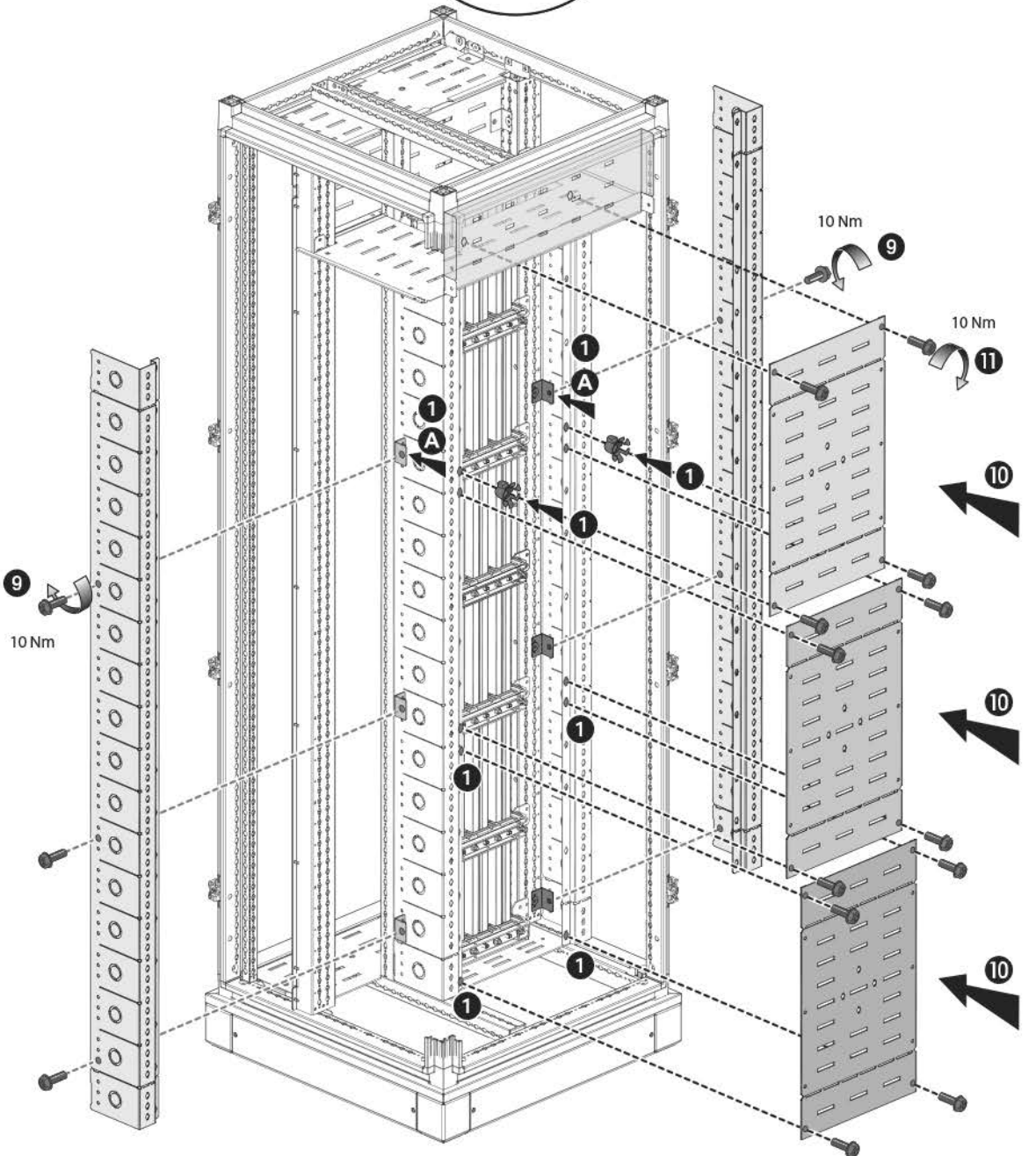
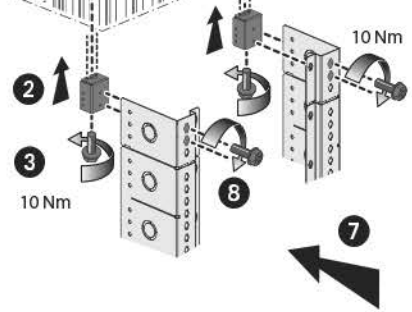
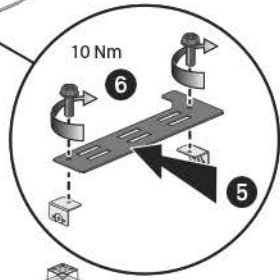
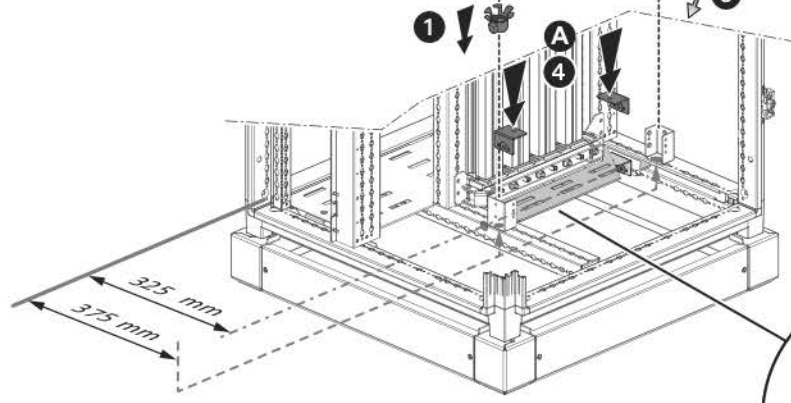
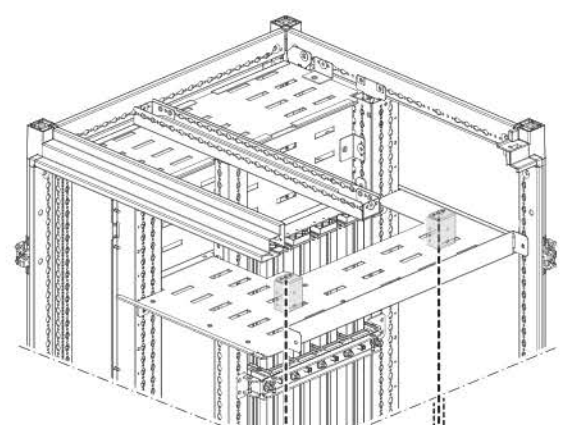
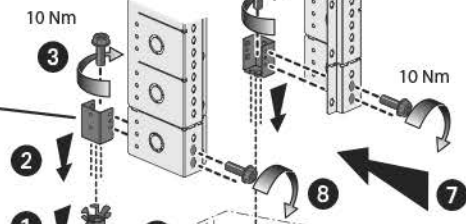
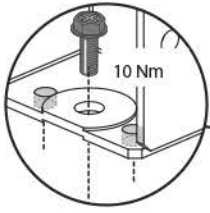
14

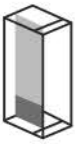


H=400

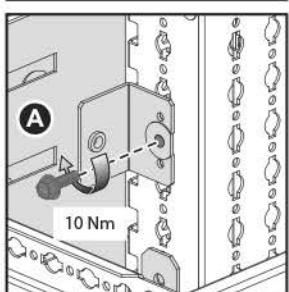
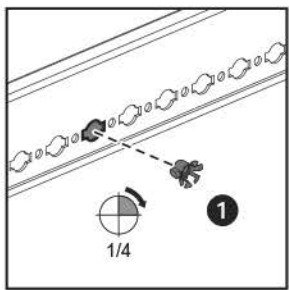
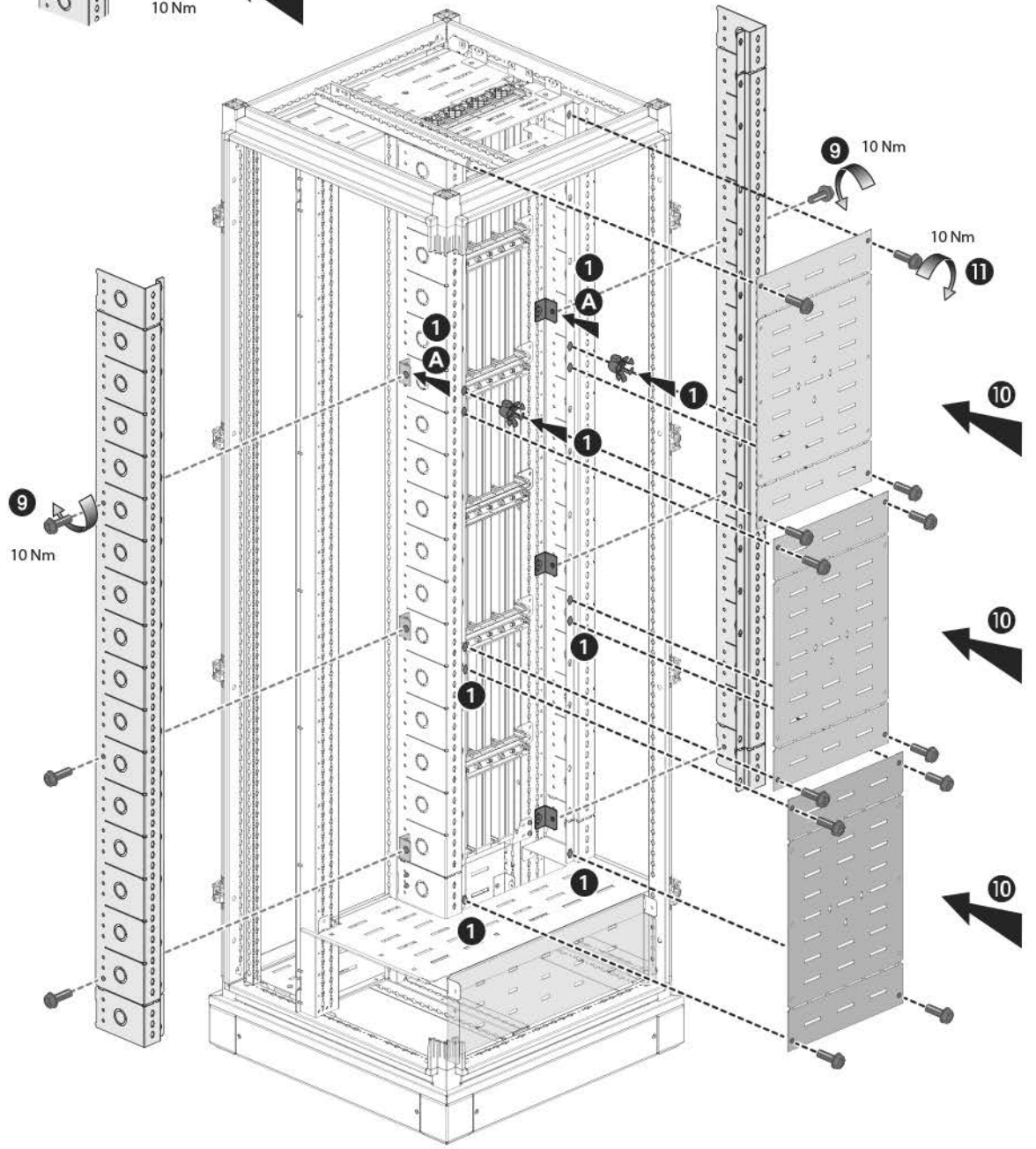
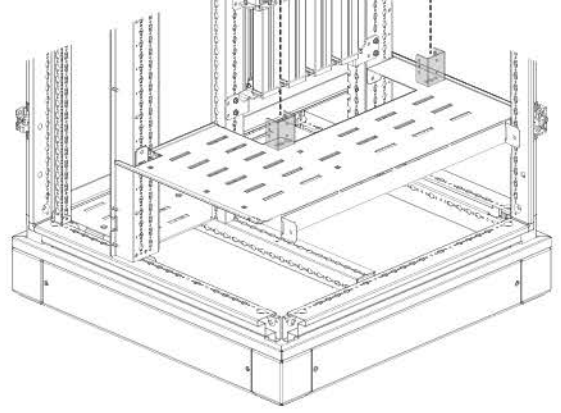
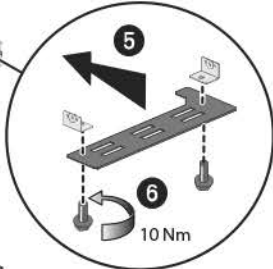
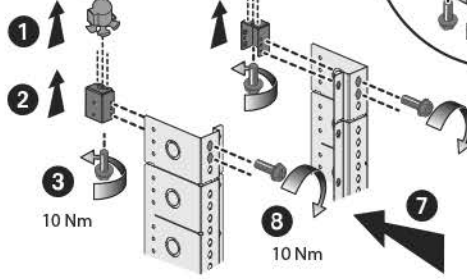
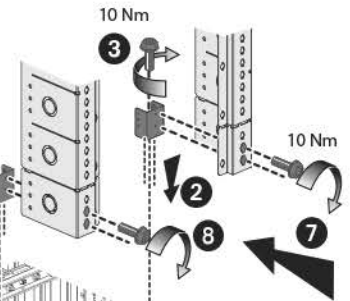
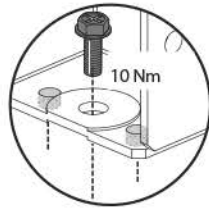
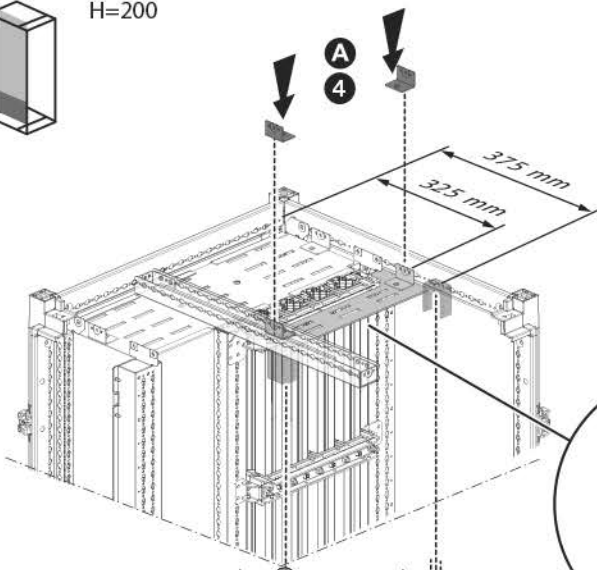


H=200

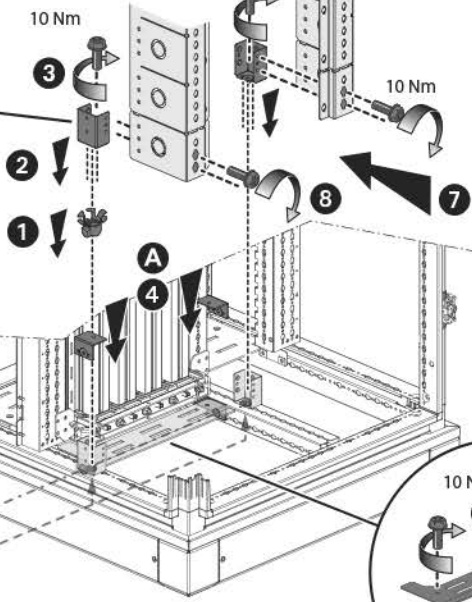
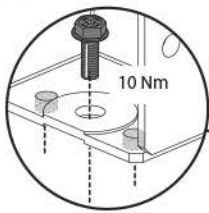
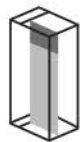




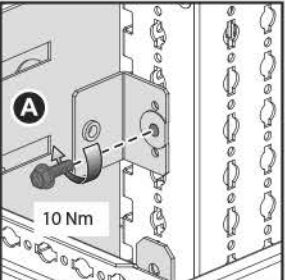
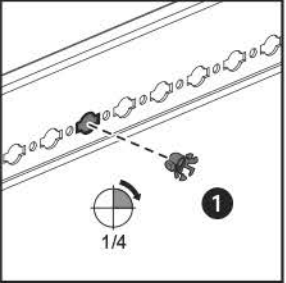
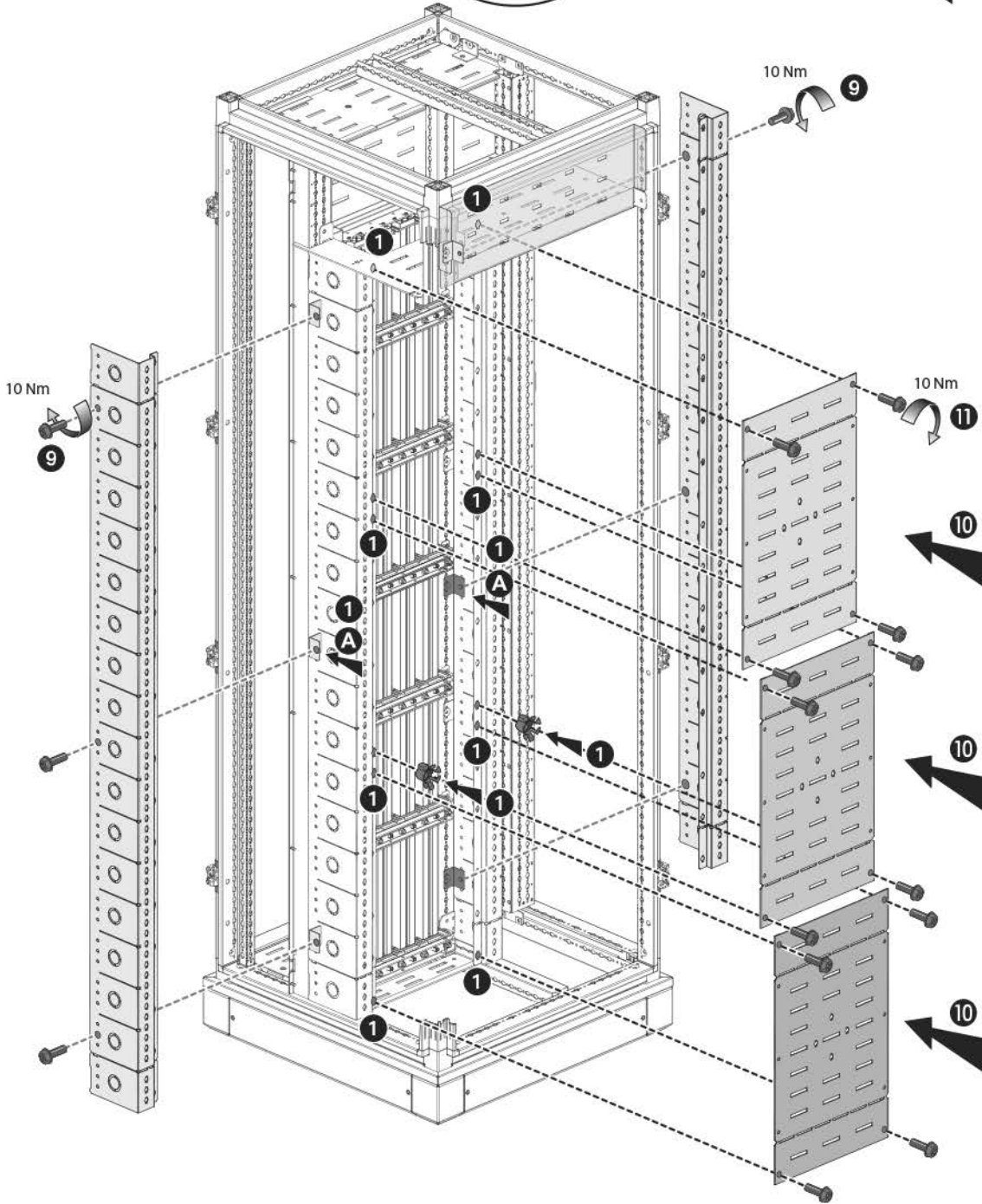
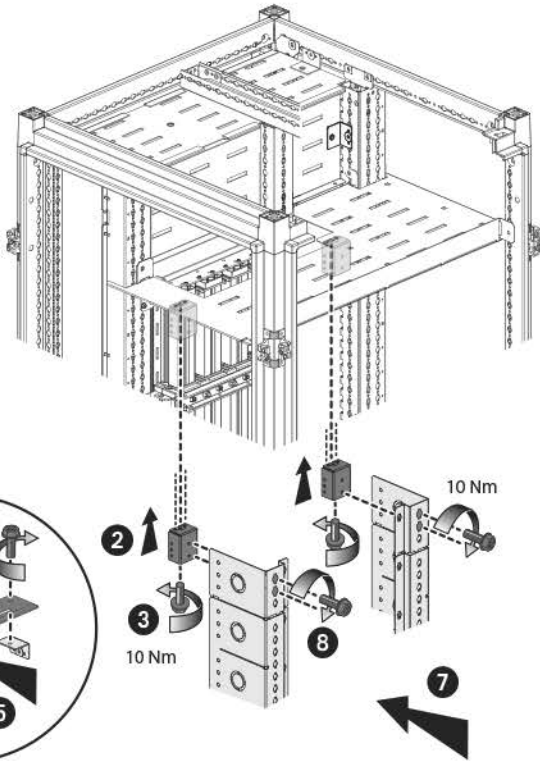
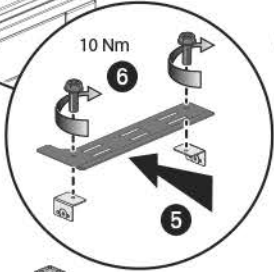
H=200

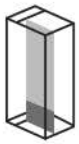


H=200

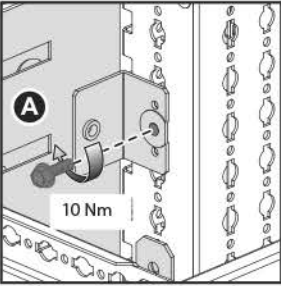
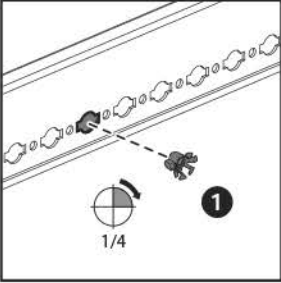
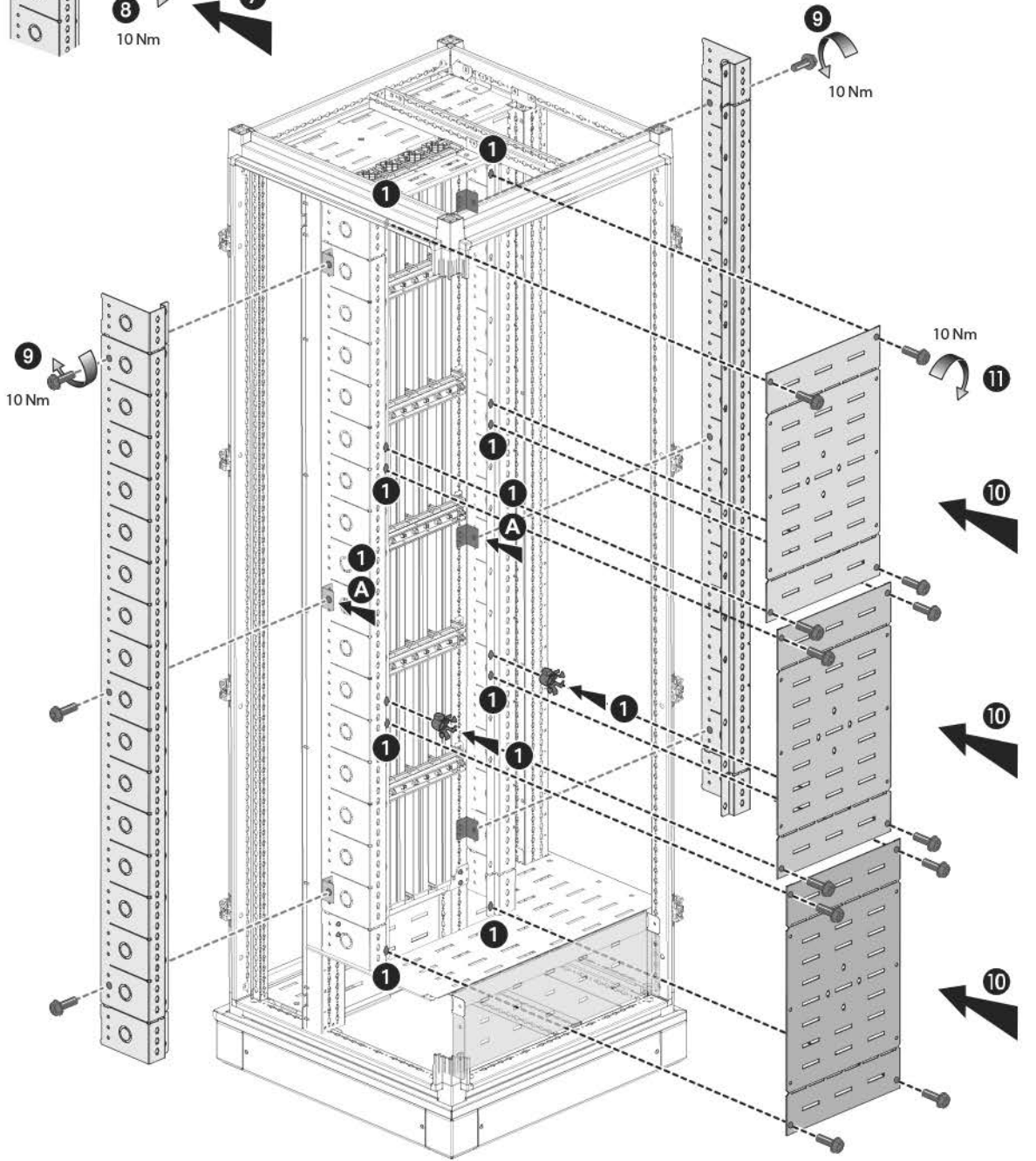
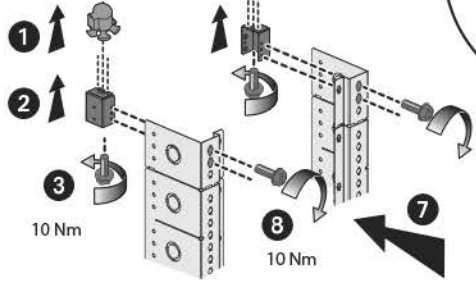
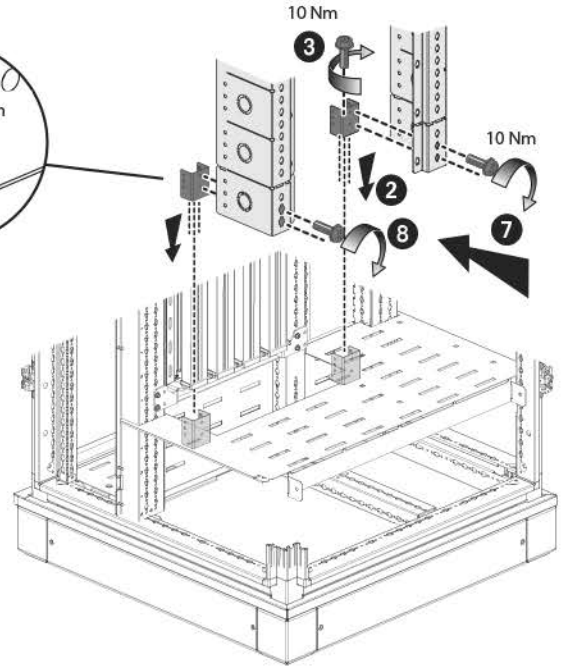
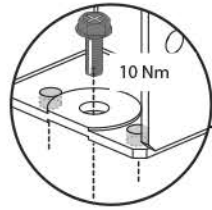
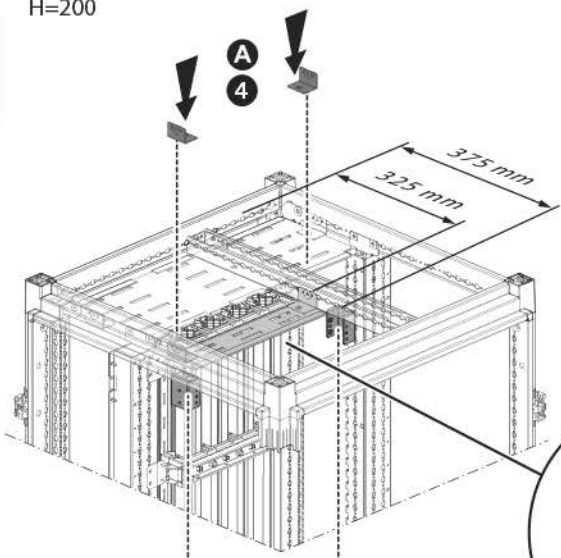


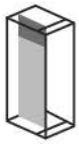
325 mm
375 mm



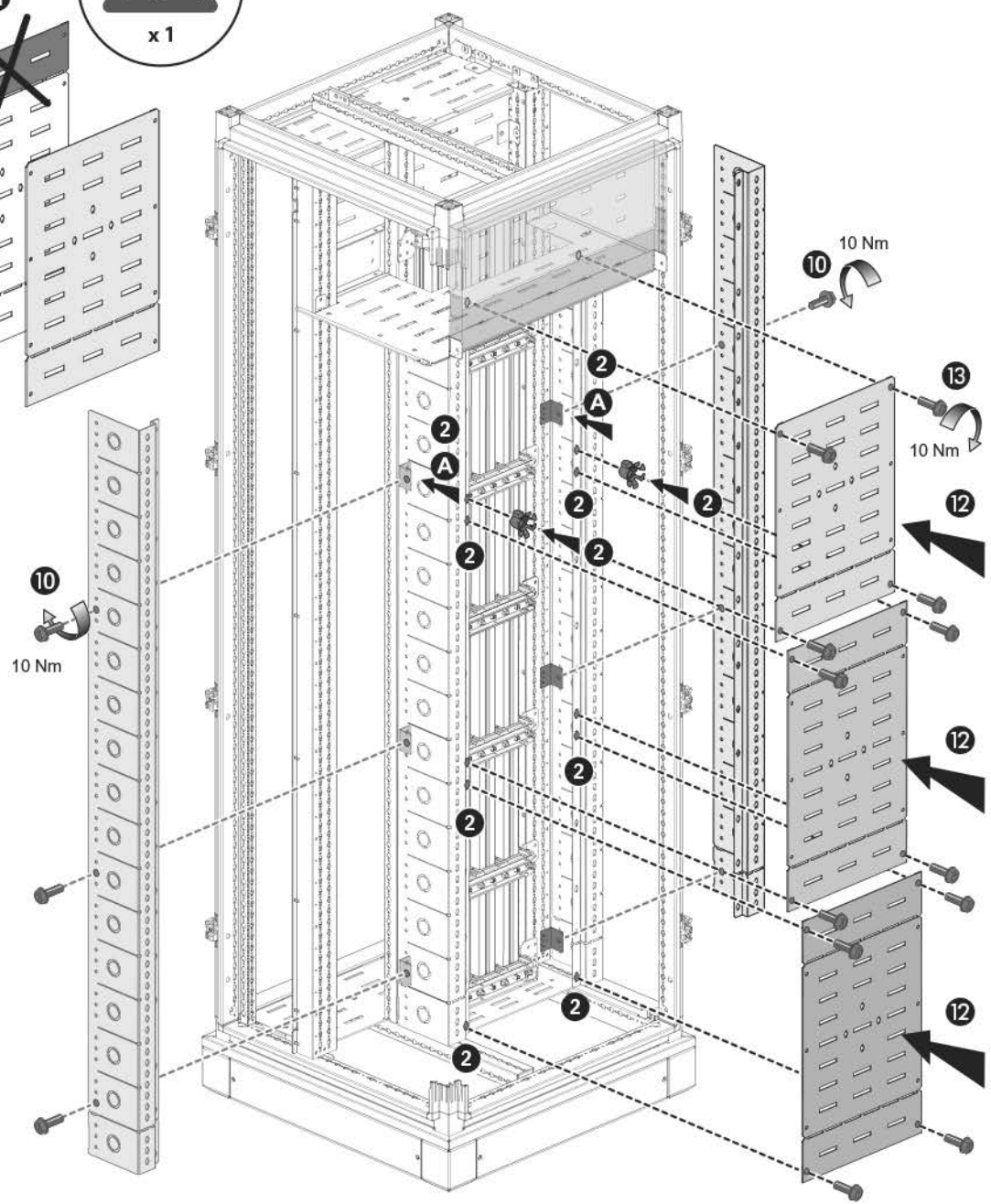
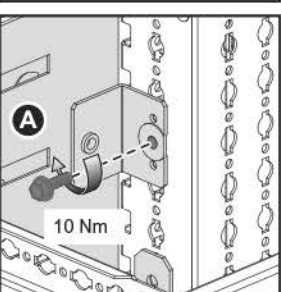
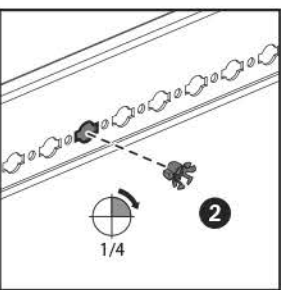
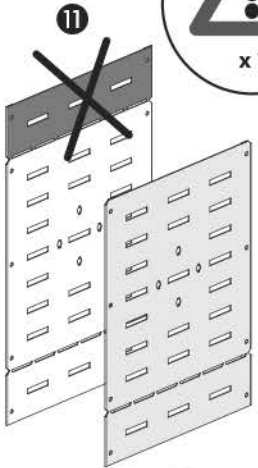
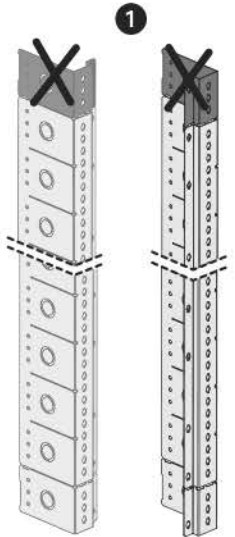
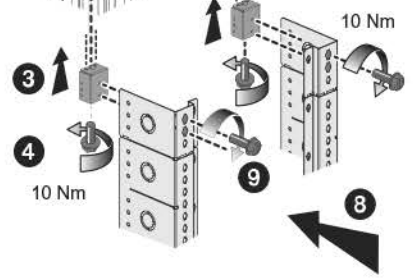
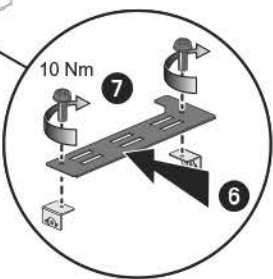
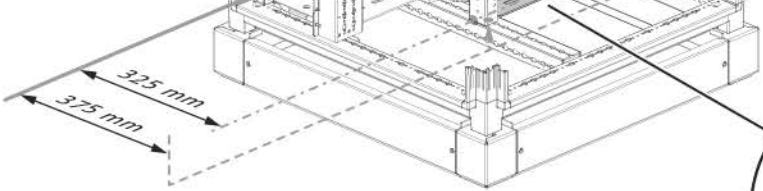
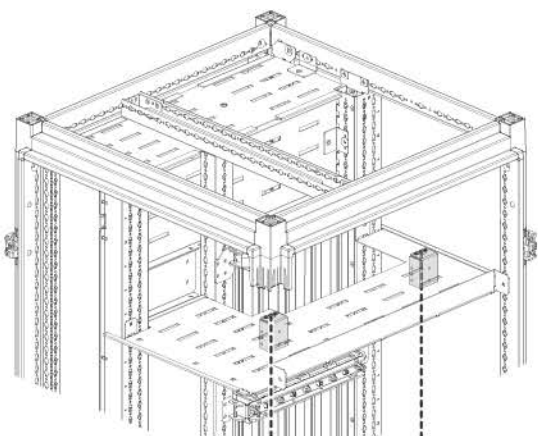
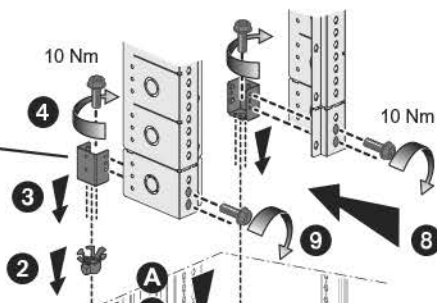
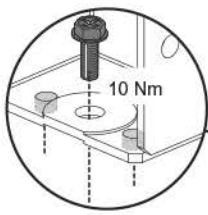


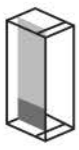
H=200



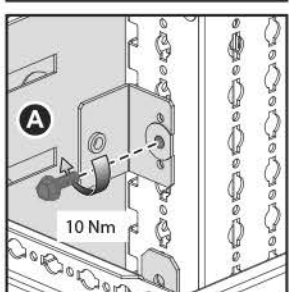
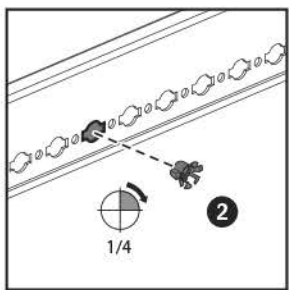
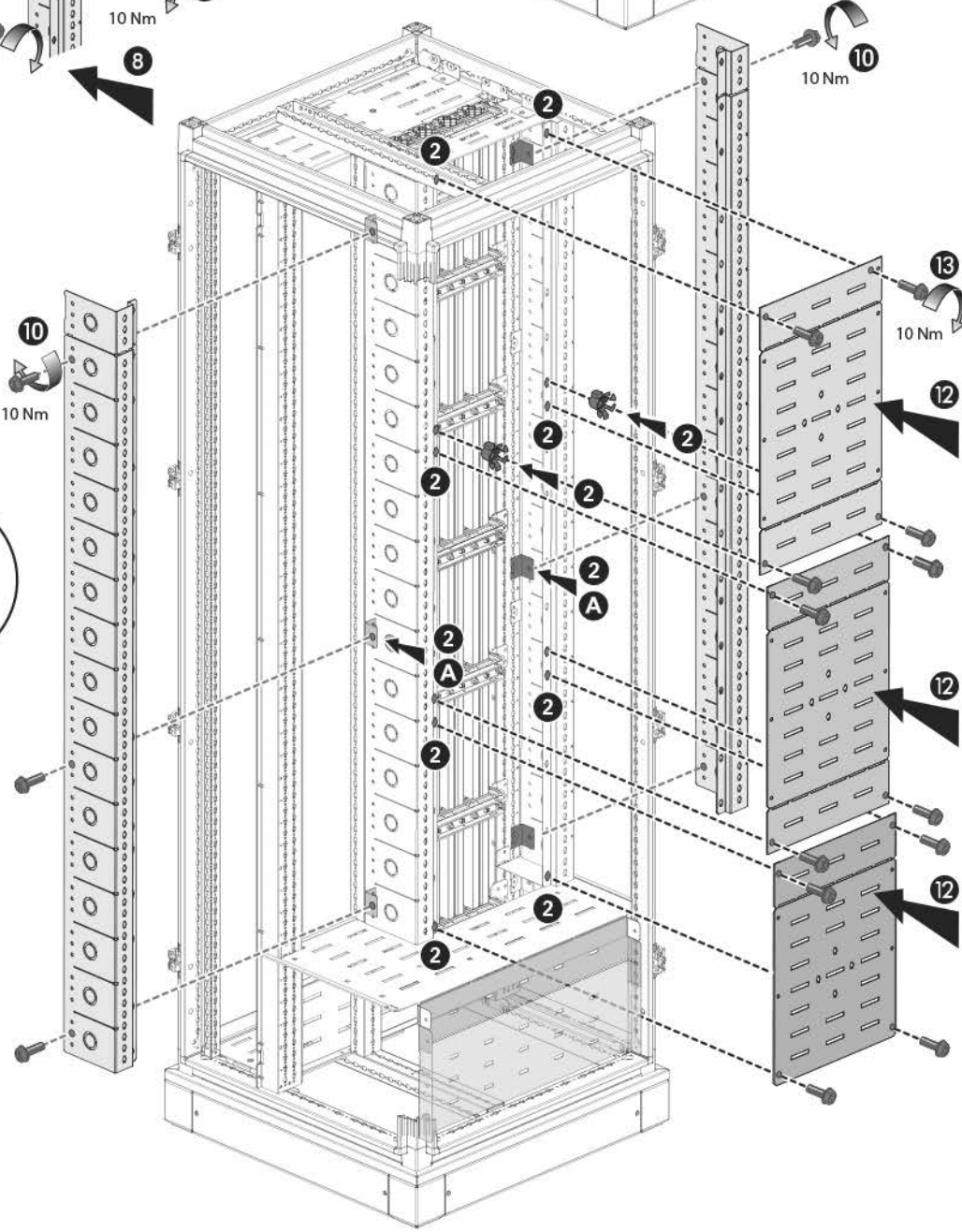
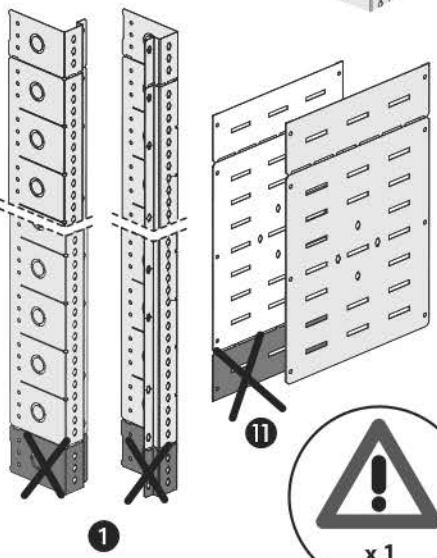
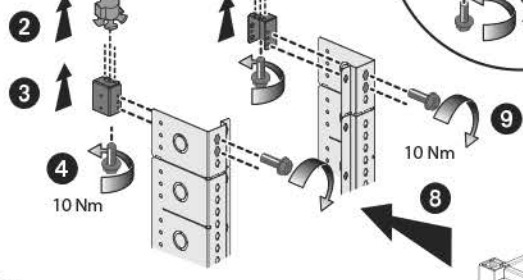
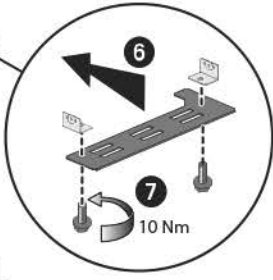
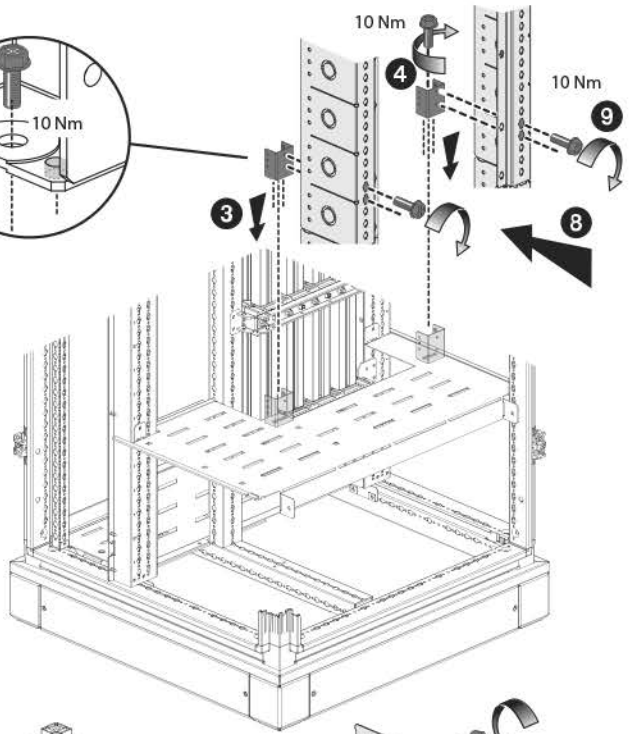
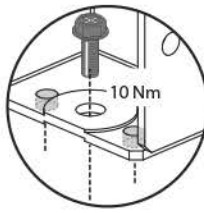
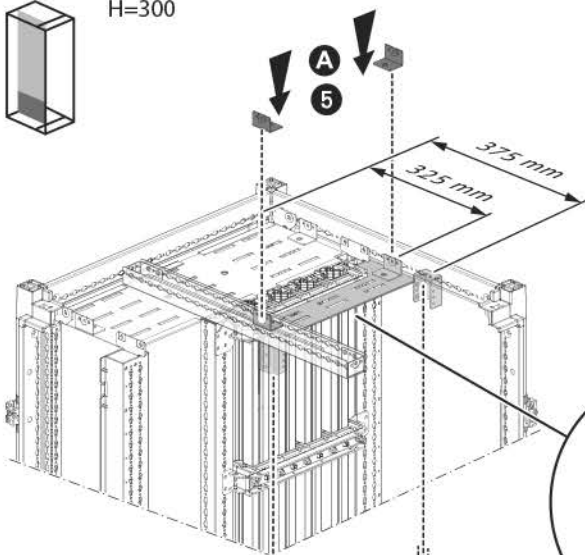


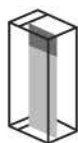
H=300



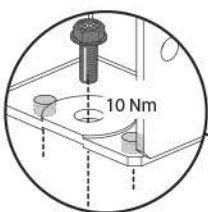


H=300

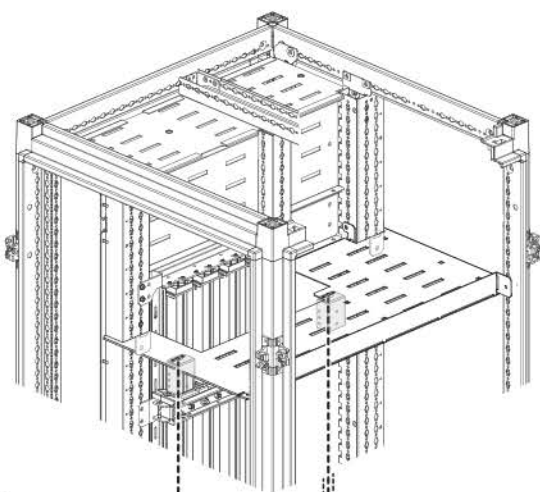
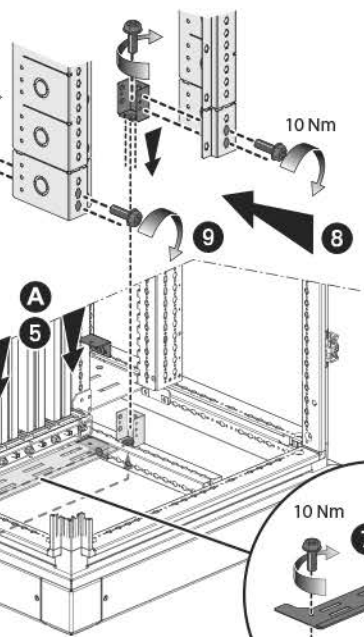




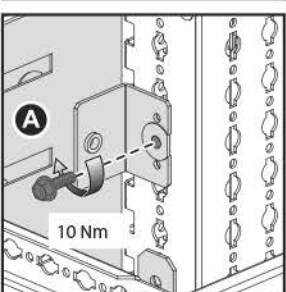
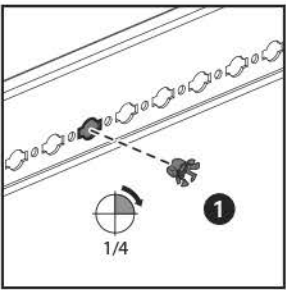
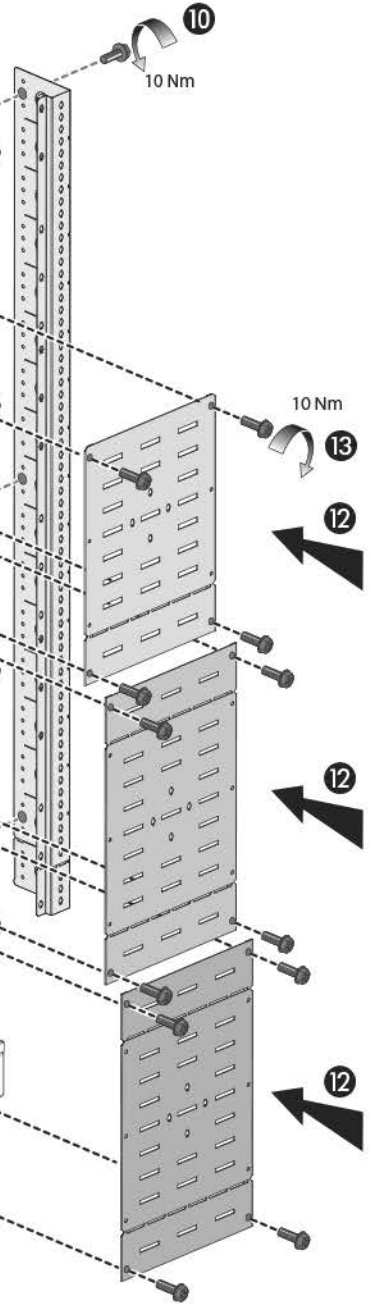
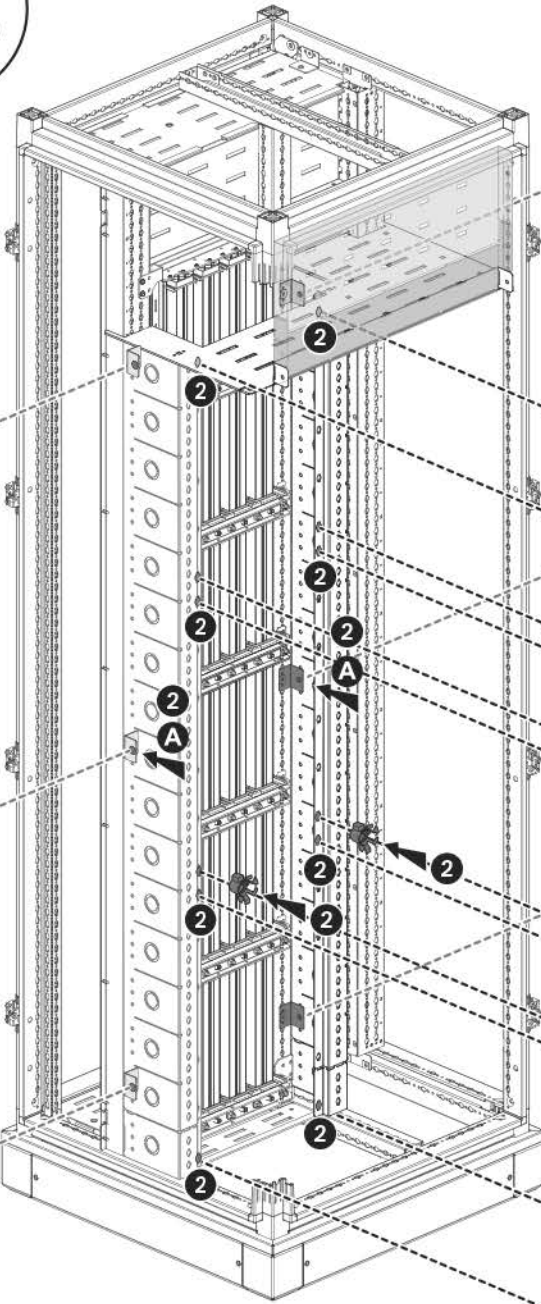
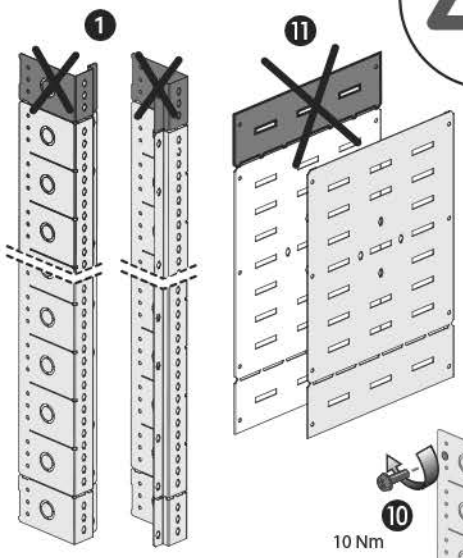
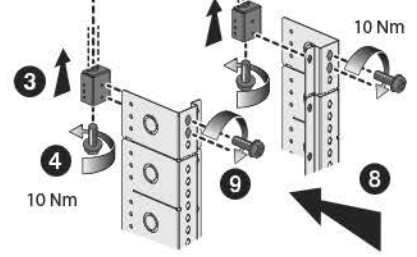
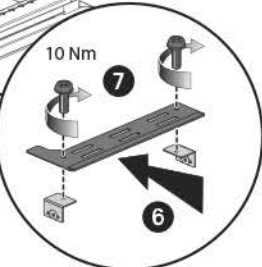
H=300

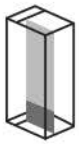


- 10 Nm
- 4
- 3
- 2

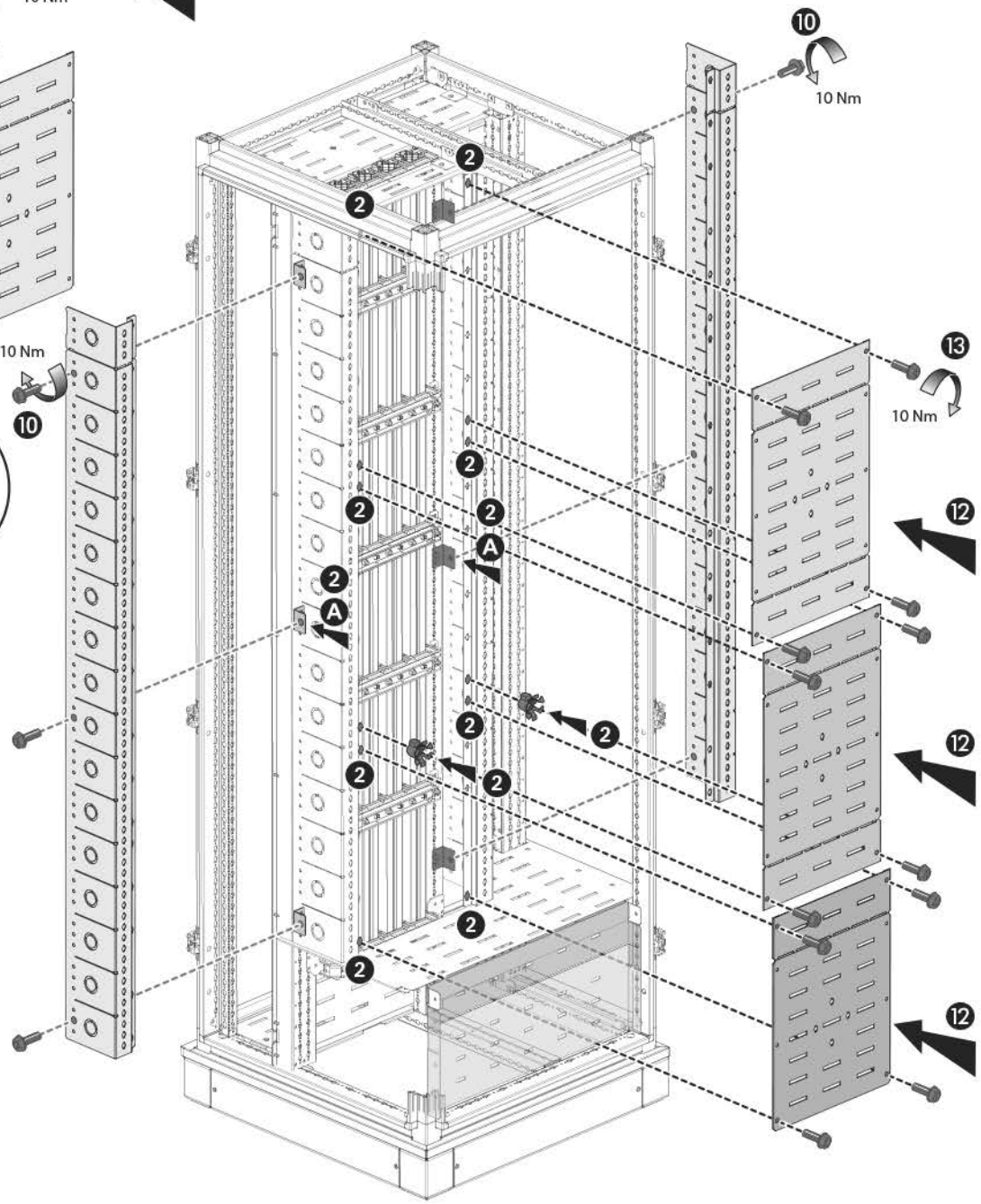
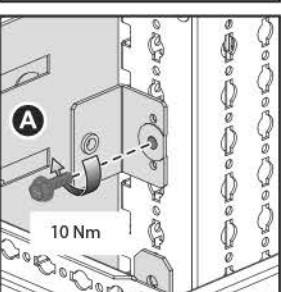
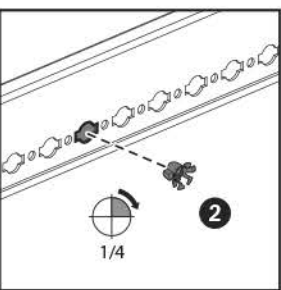
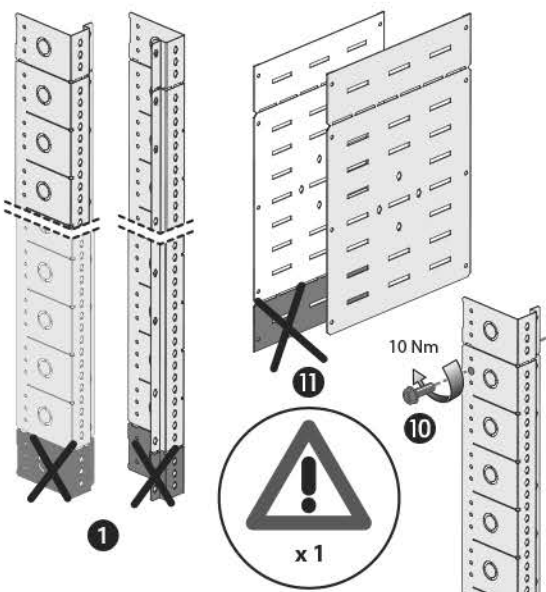
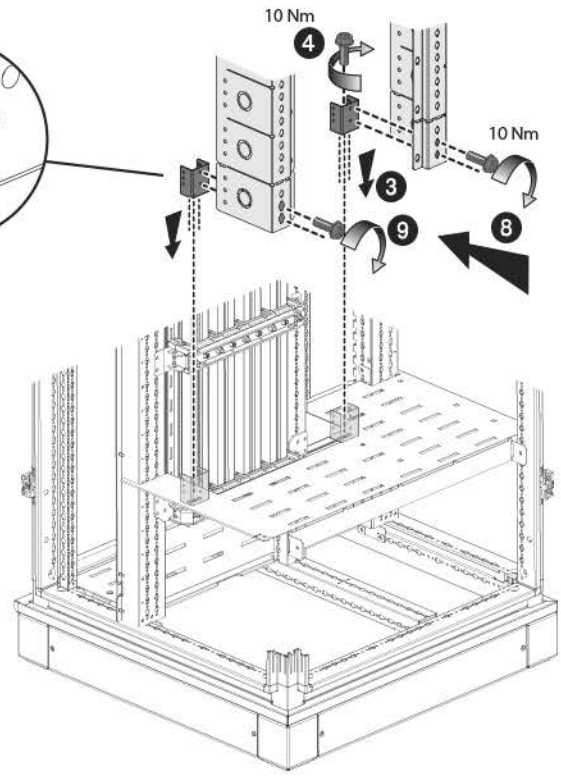
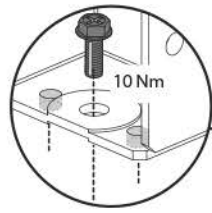
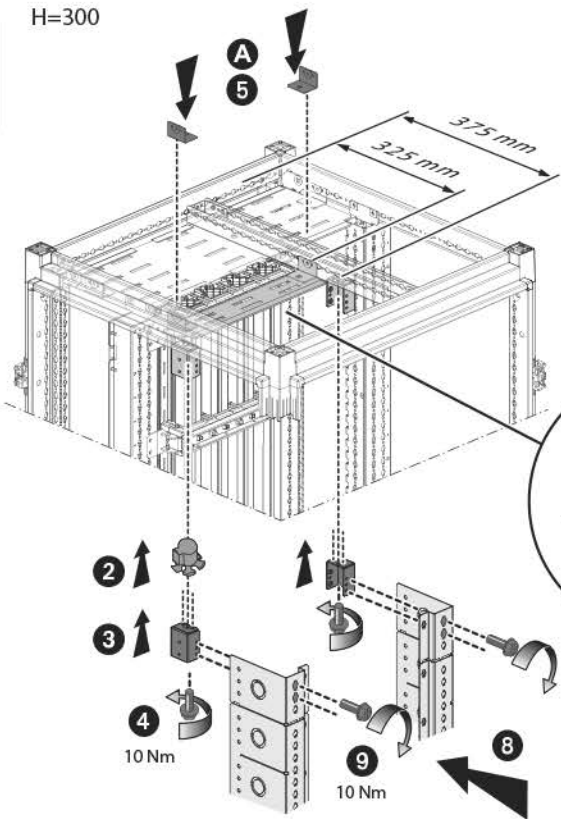


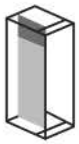
325 mm
375 mm



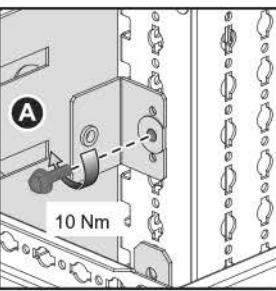
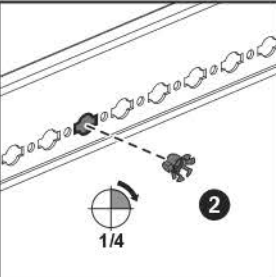
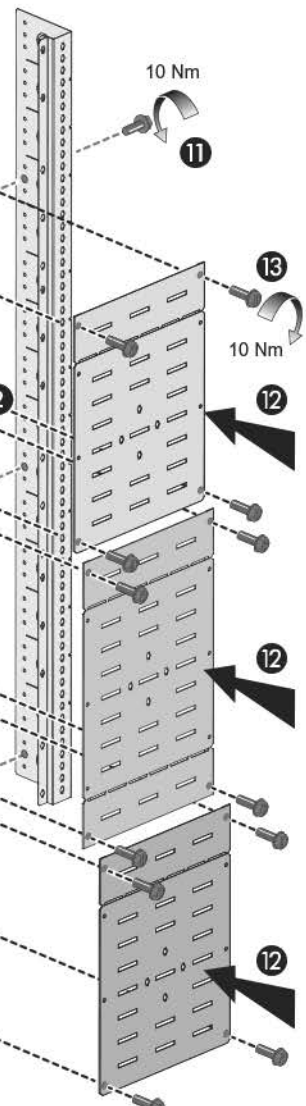
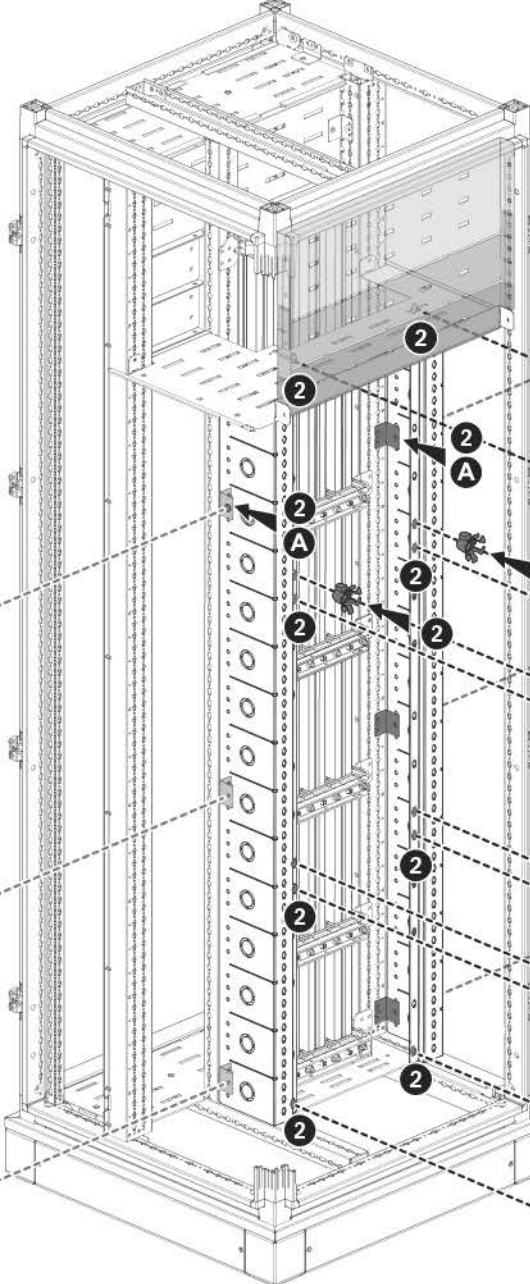
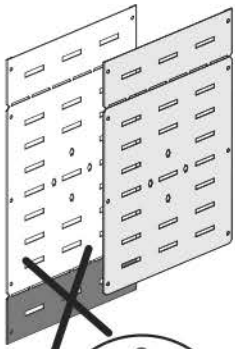
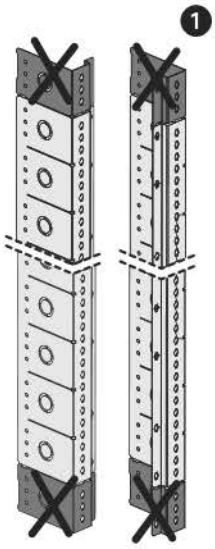
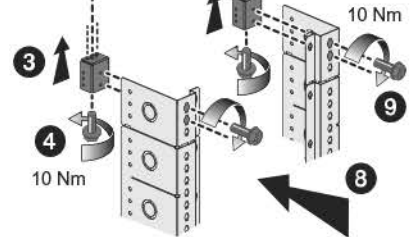
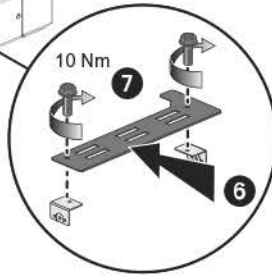
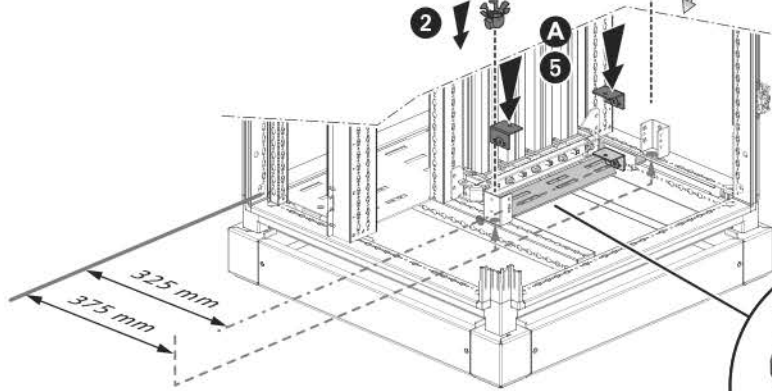
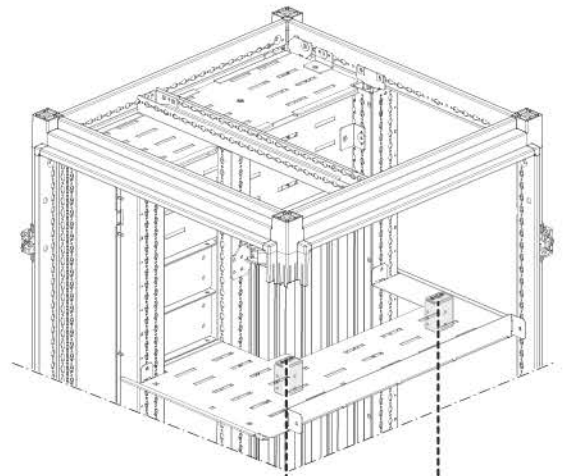
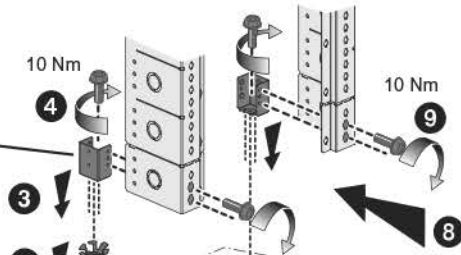
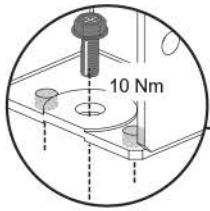


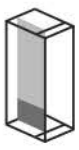
H=300



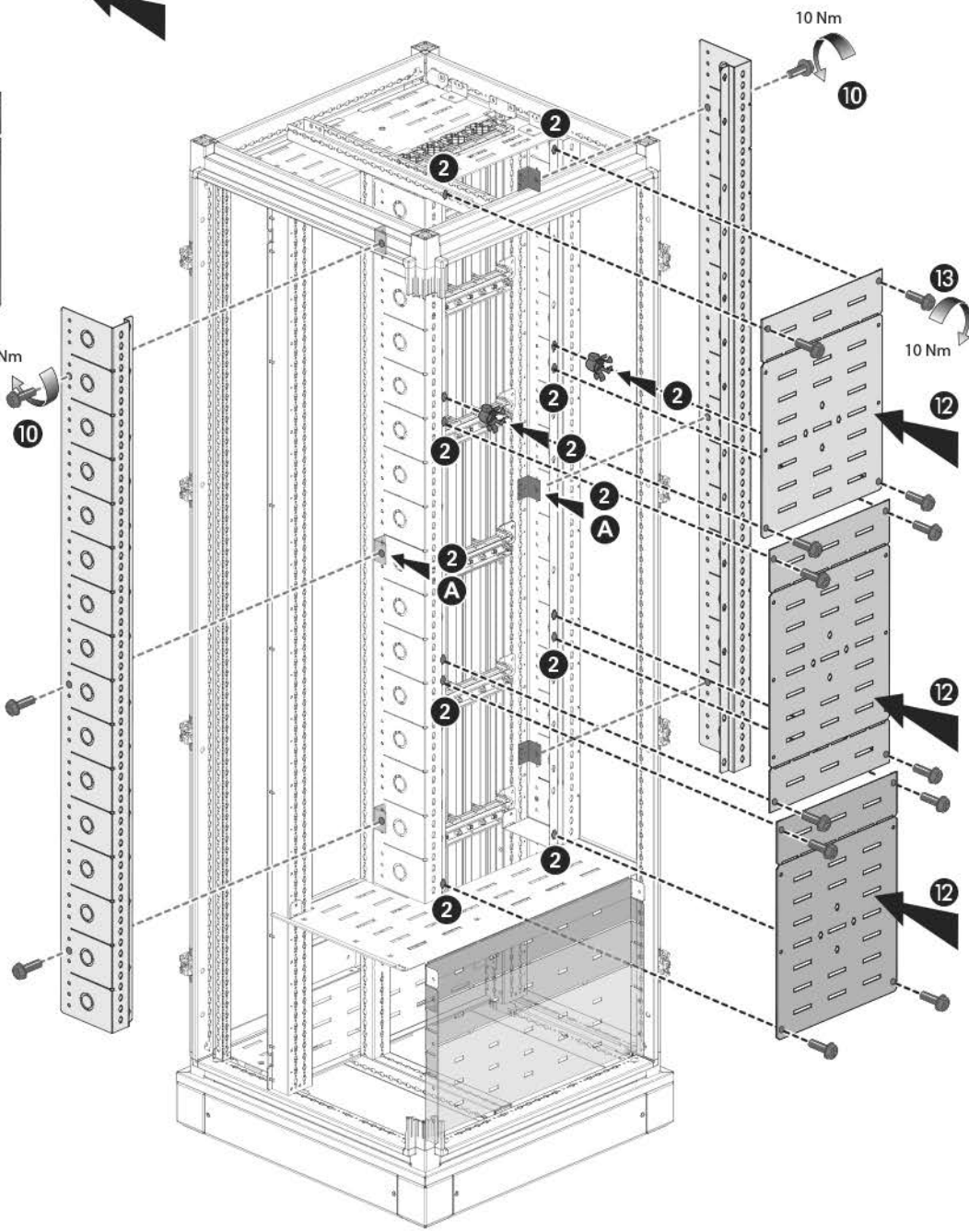
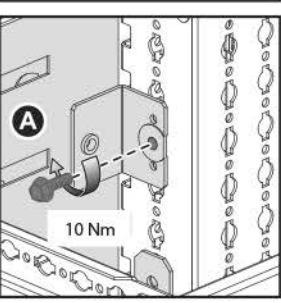
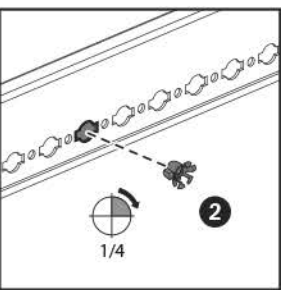
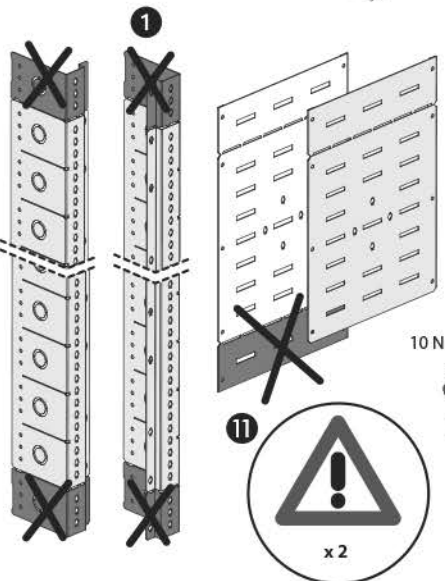
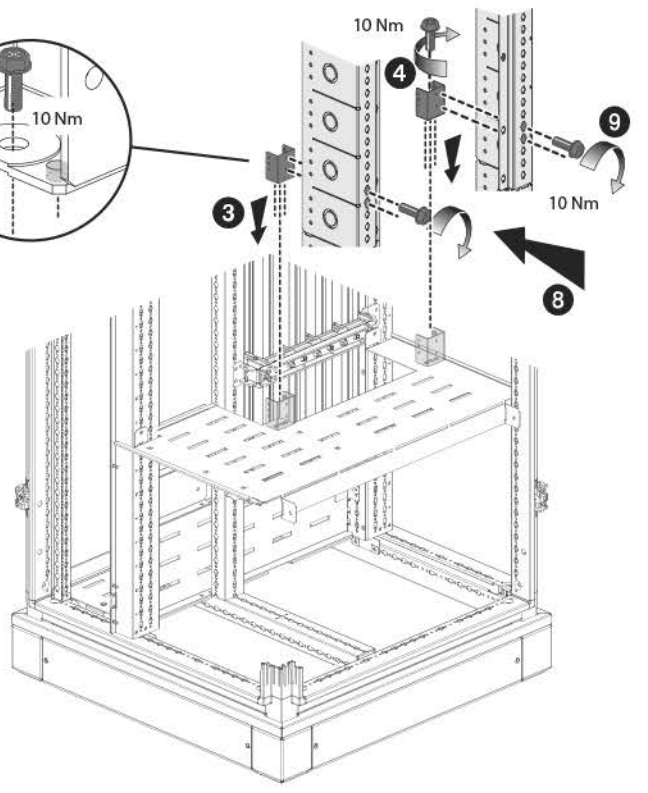
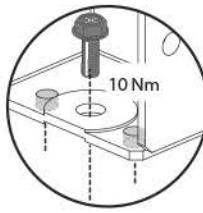
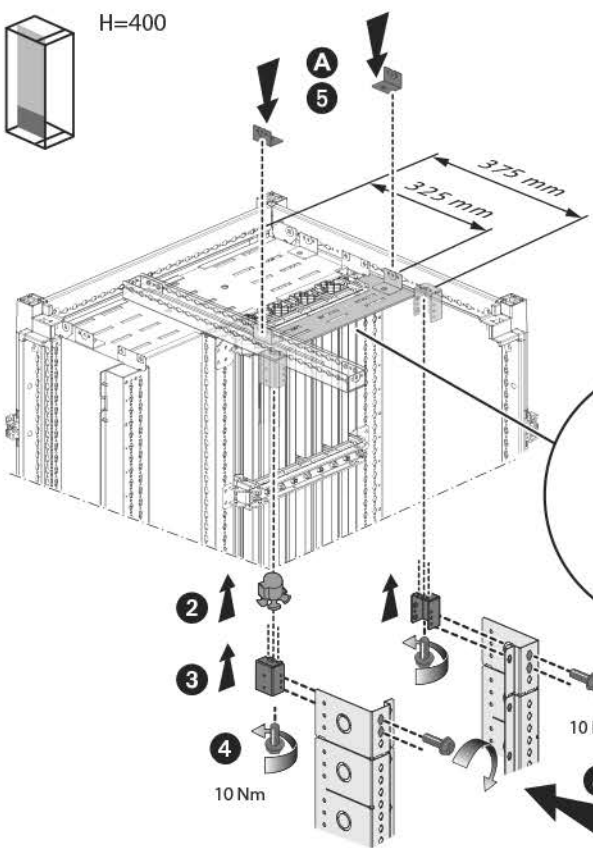


H=400



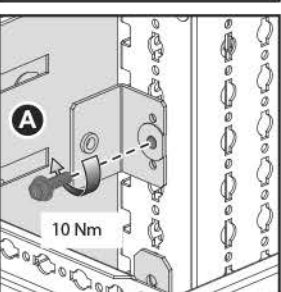
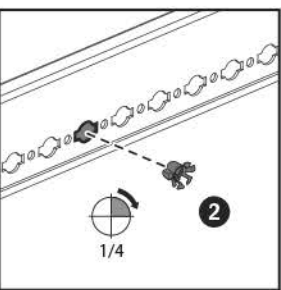
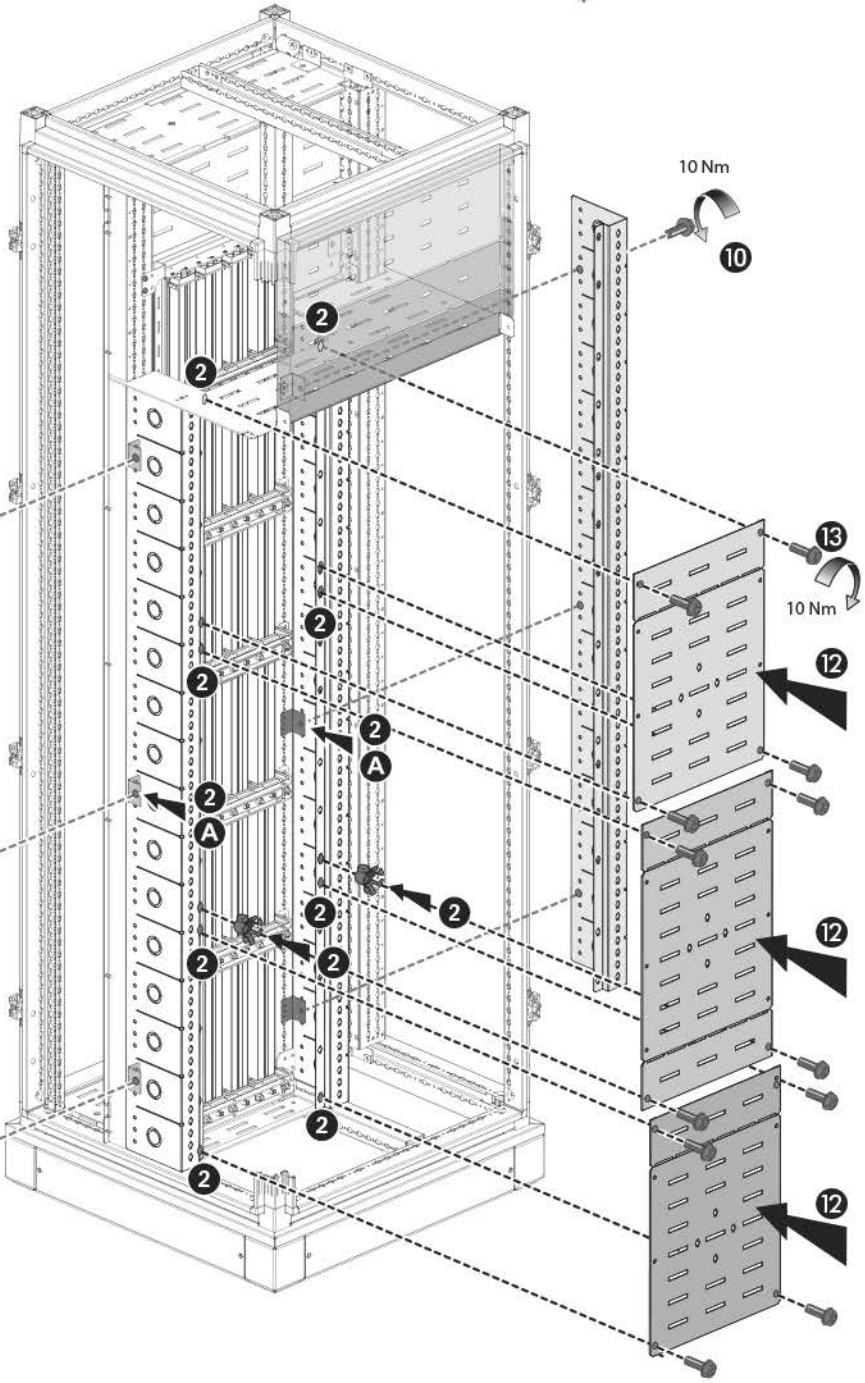
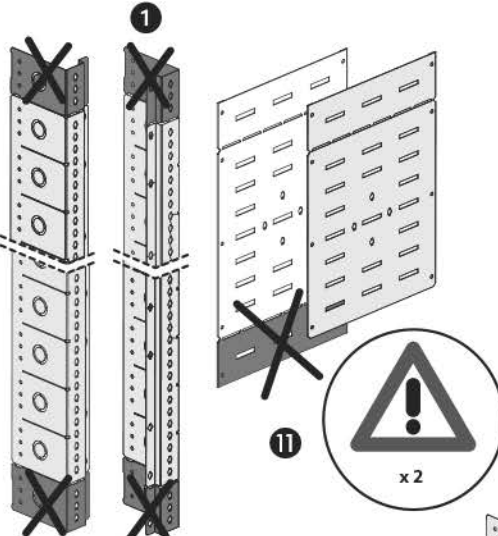
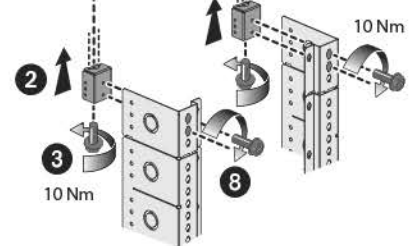
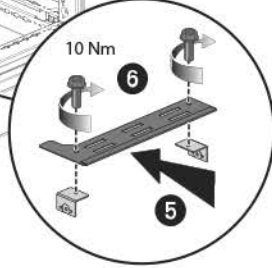
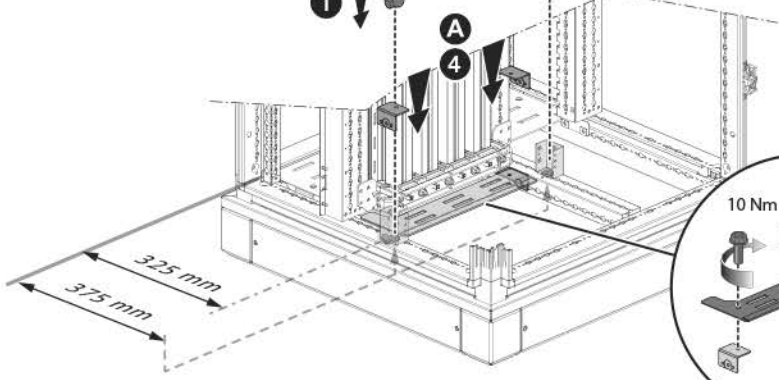
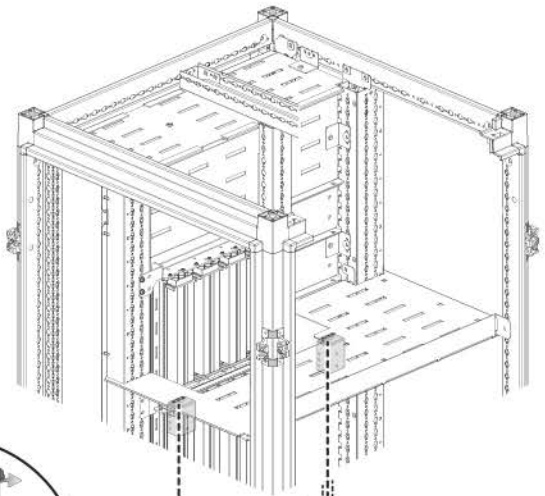
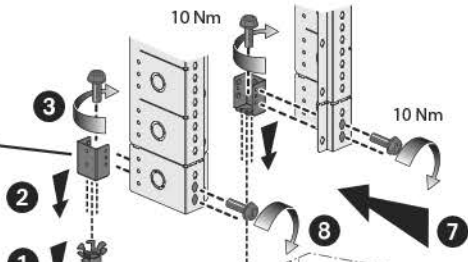
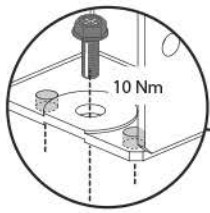


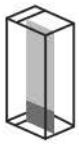
H=400



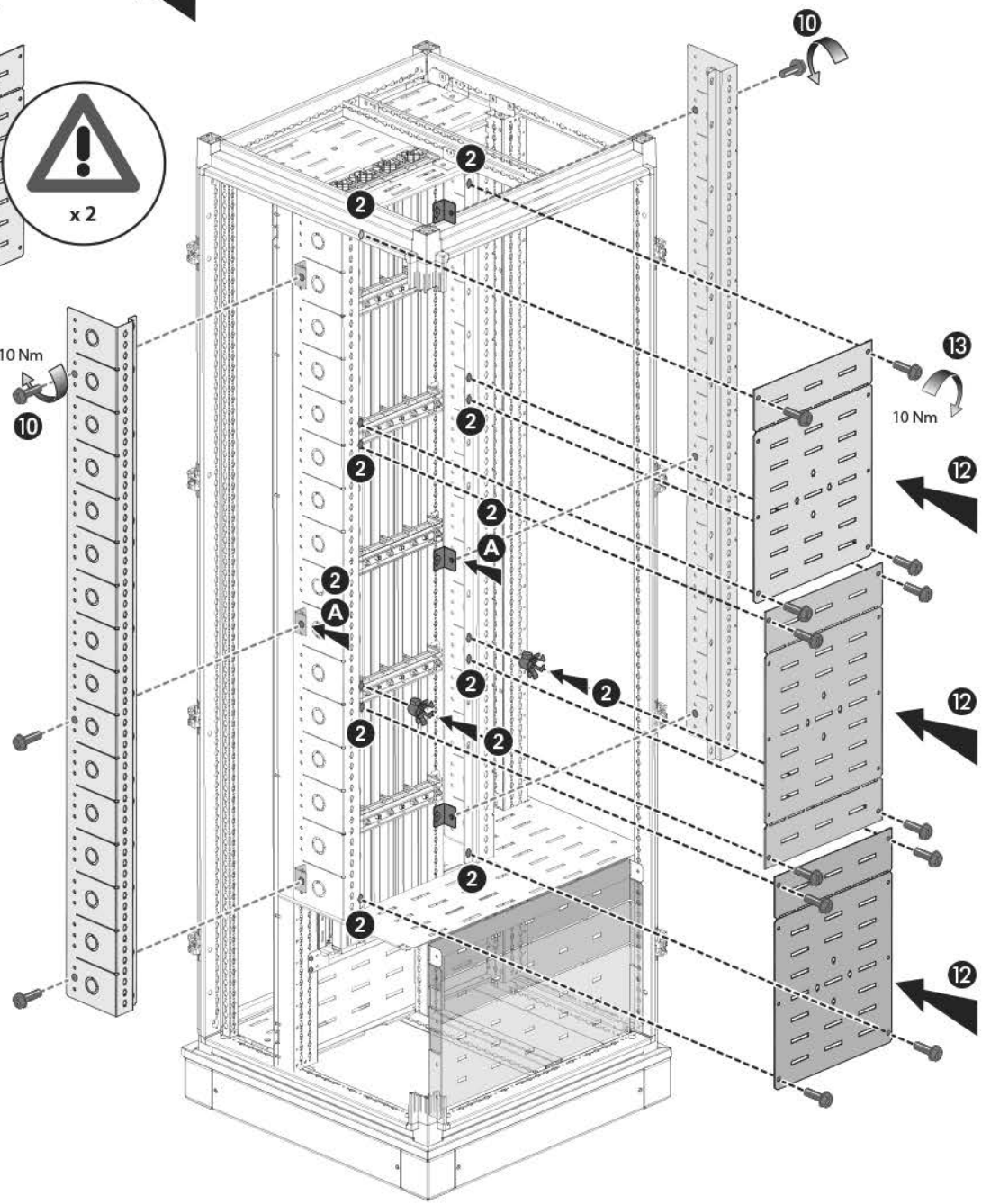
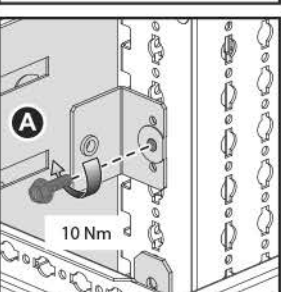
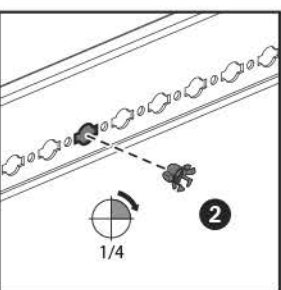
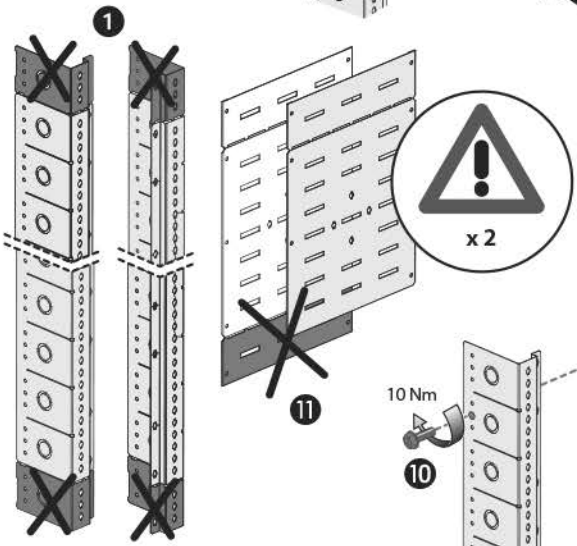
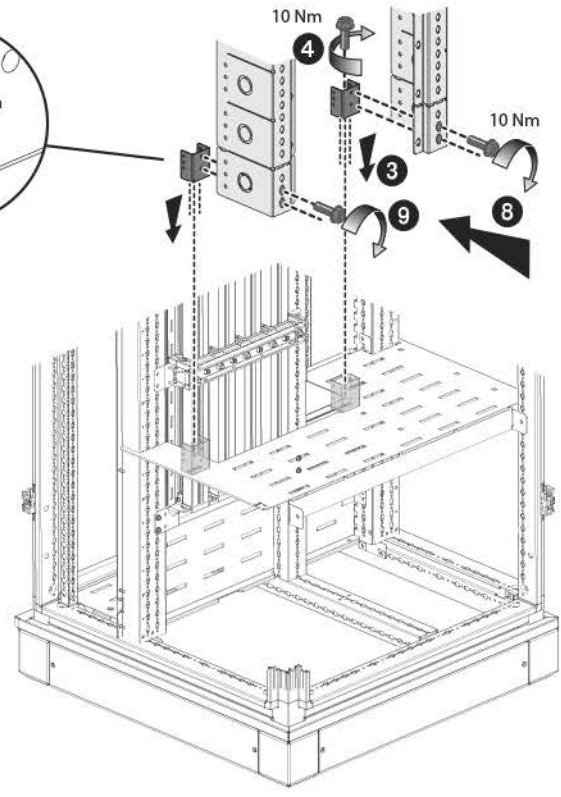
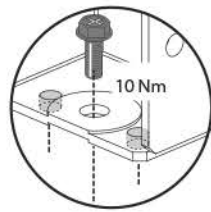
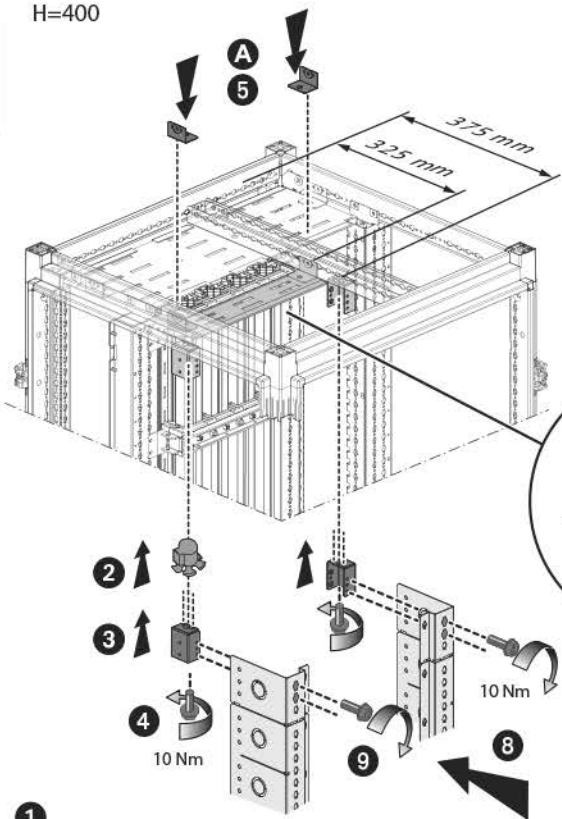


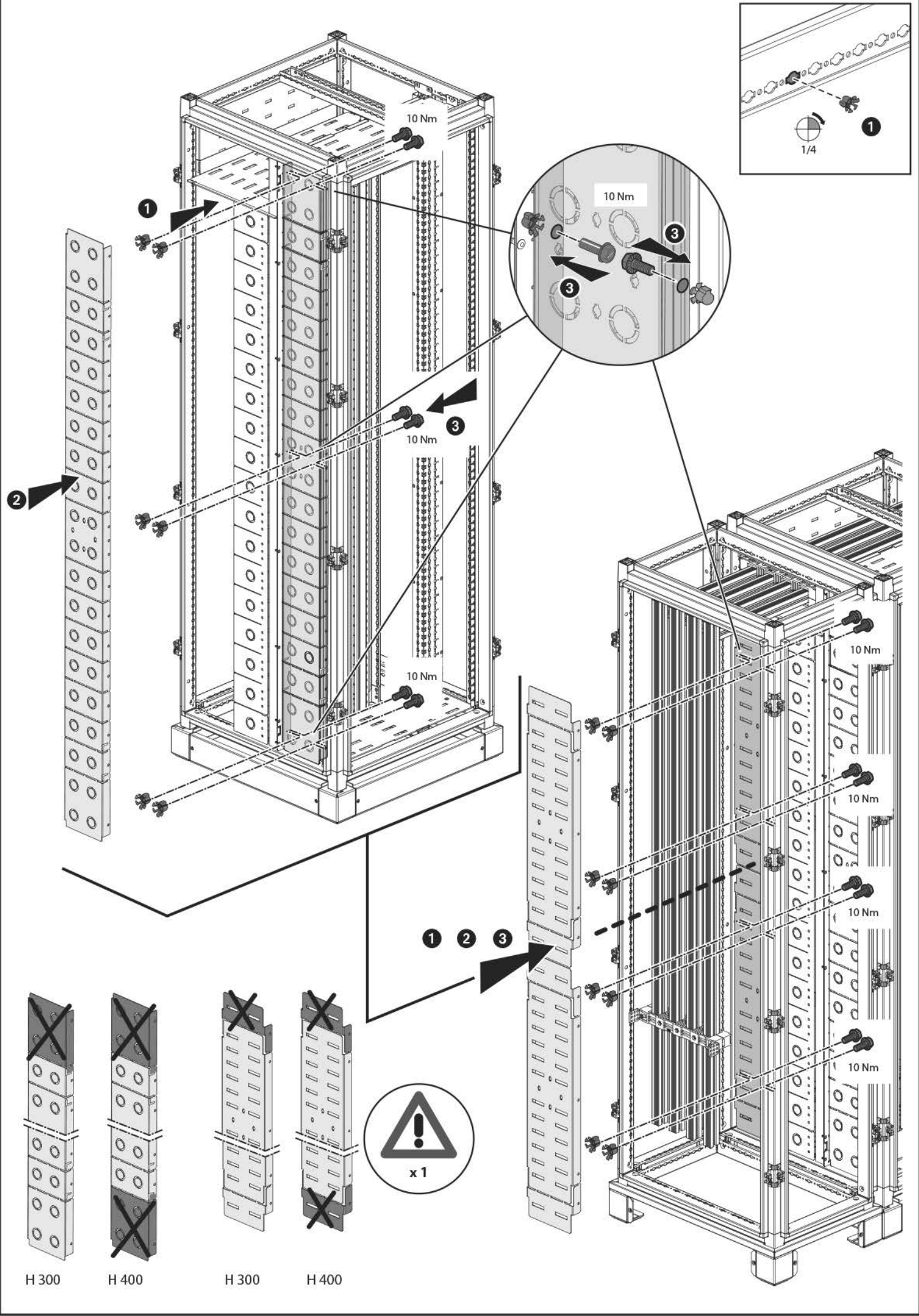
H=400

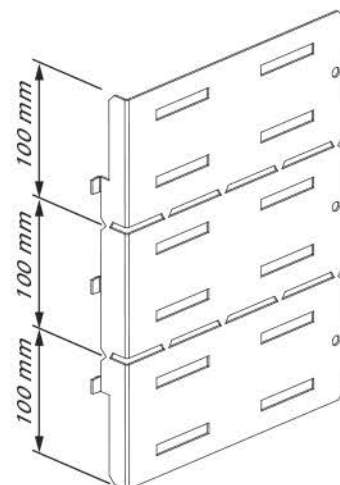
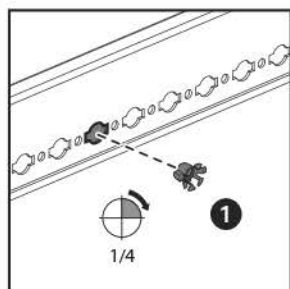
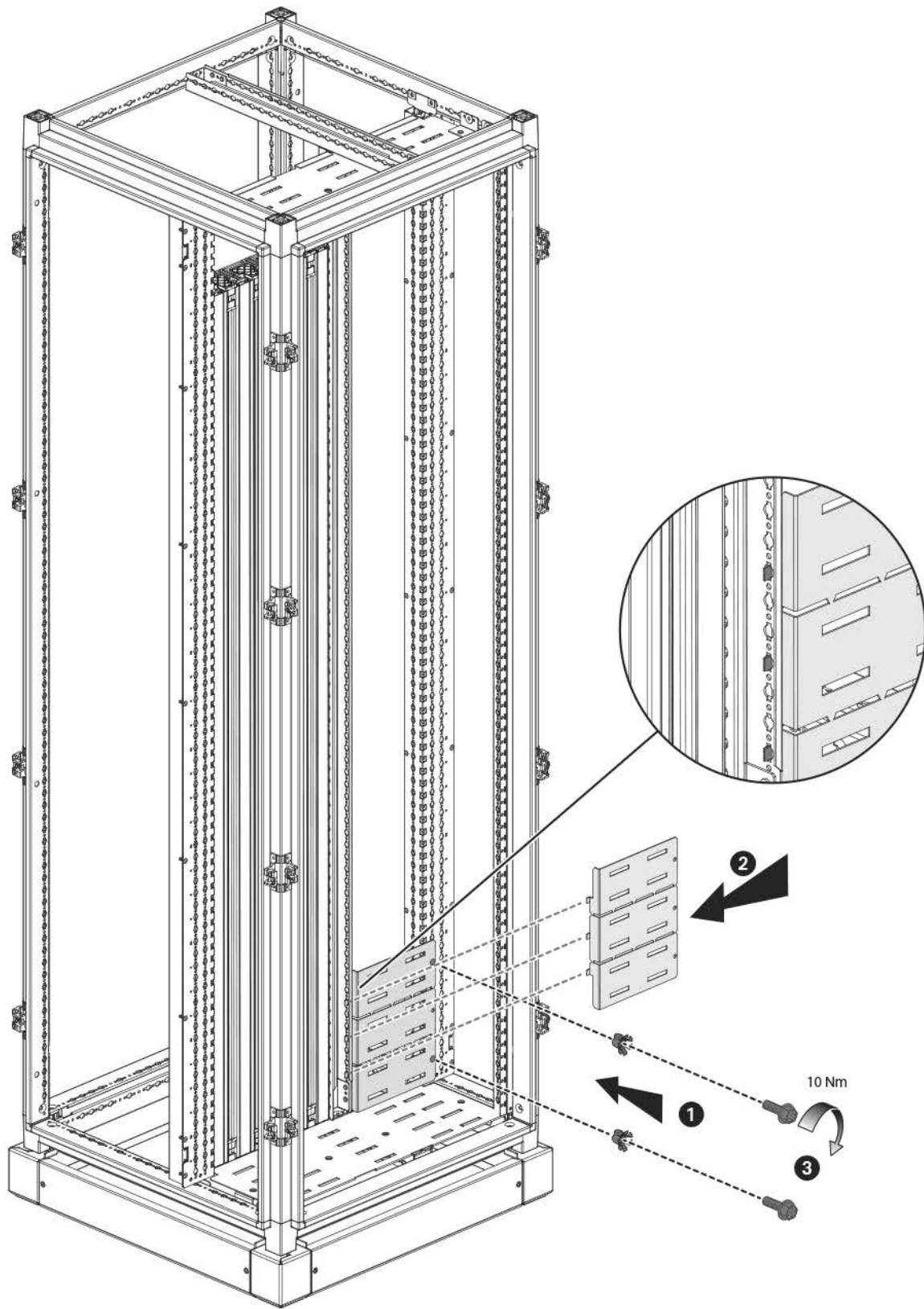




H=400

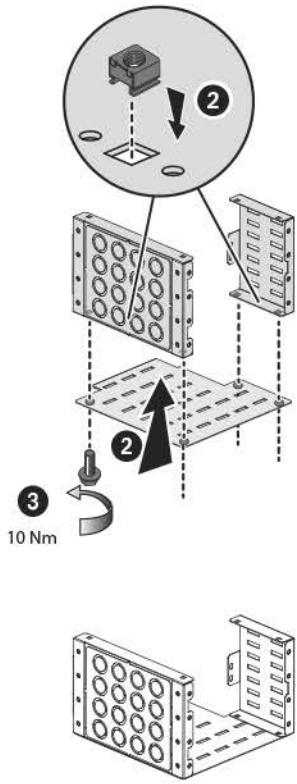




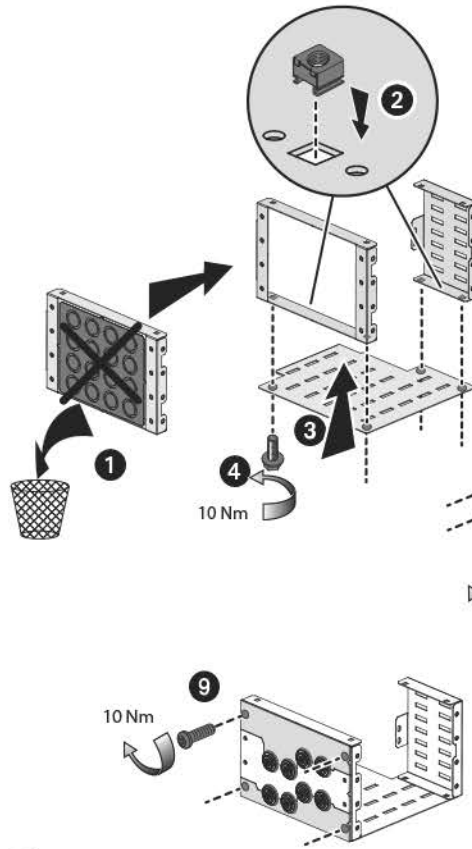




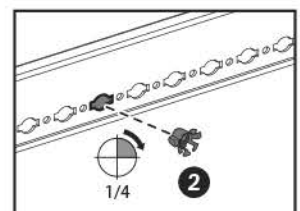
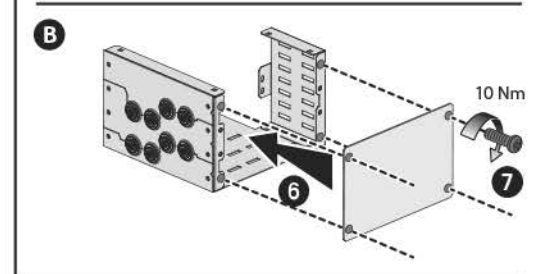
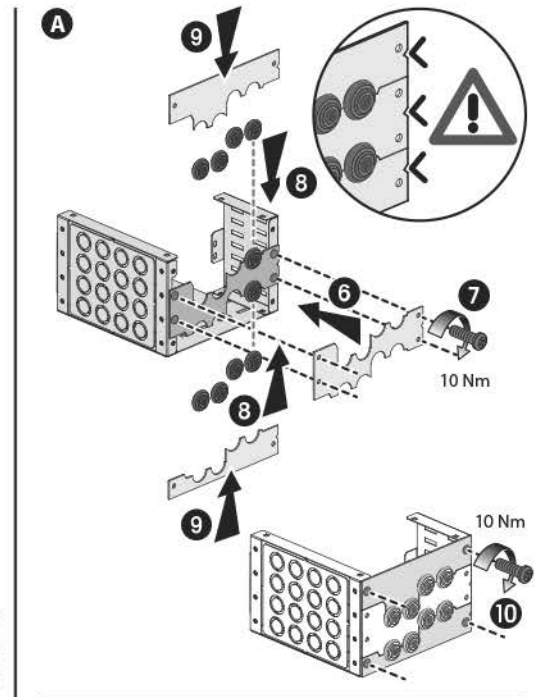
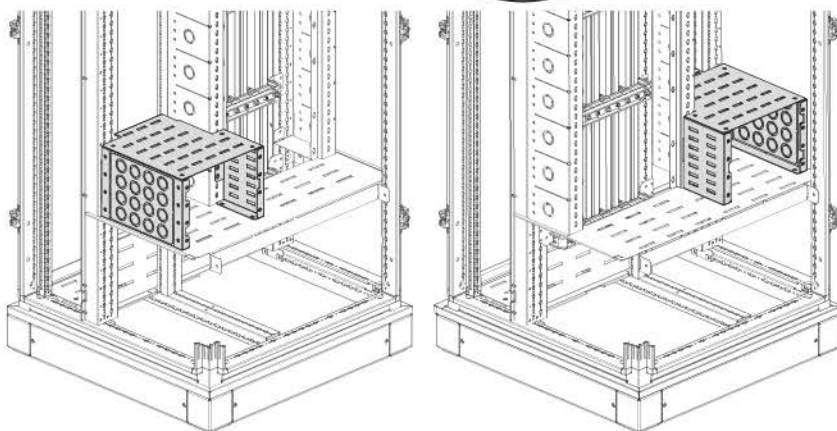
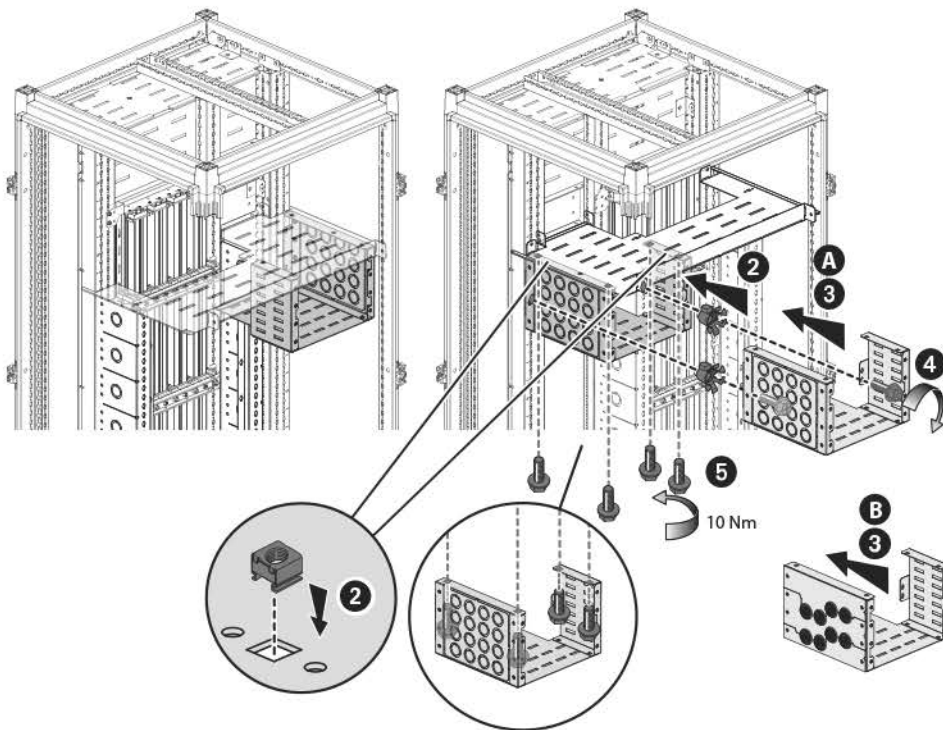
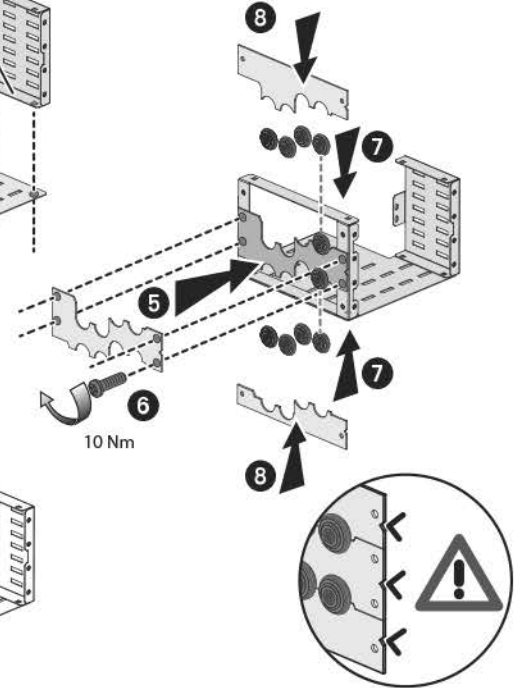
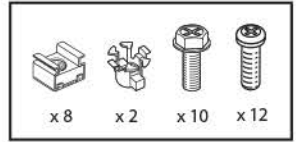
725



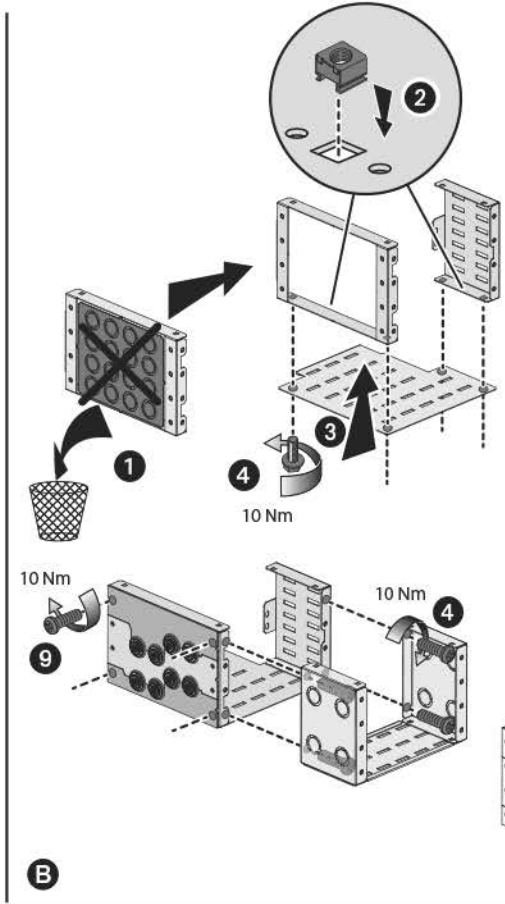
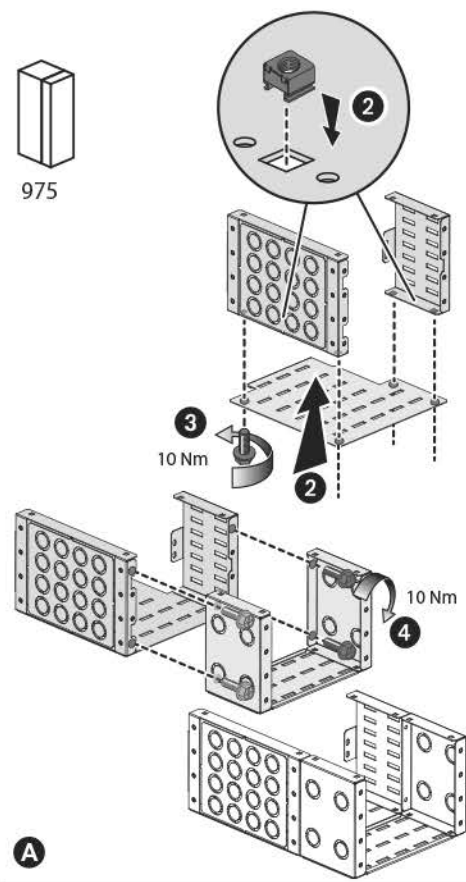
A



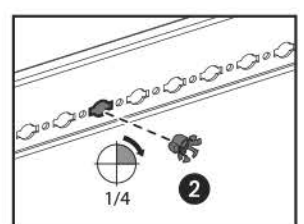
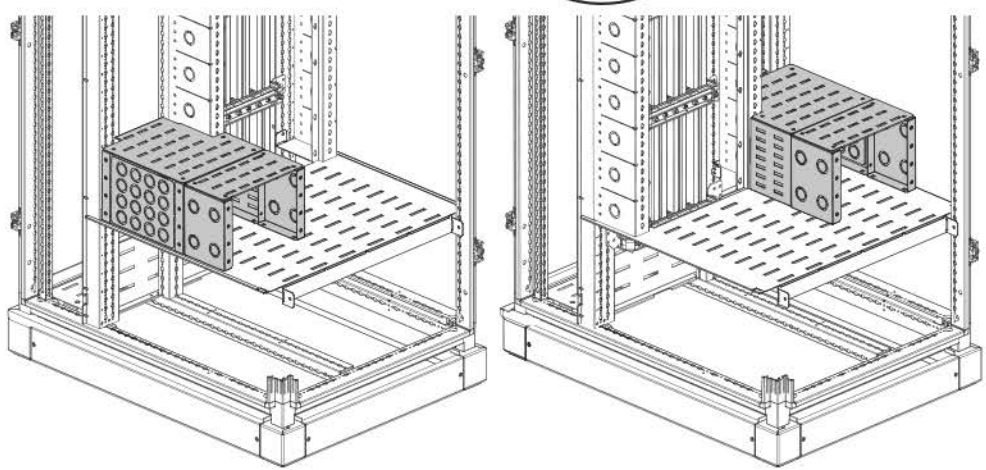
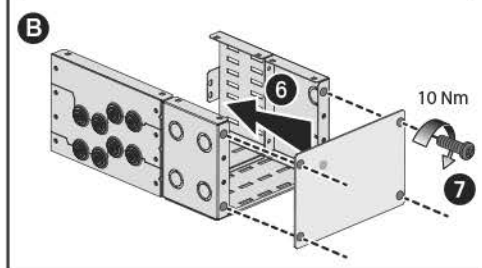
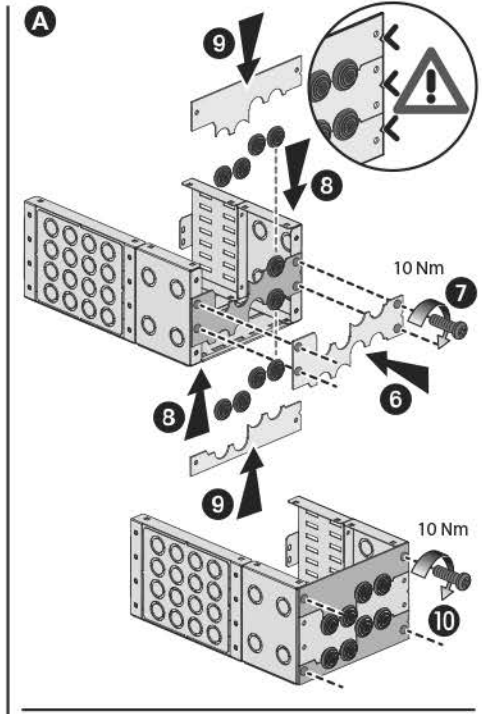
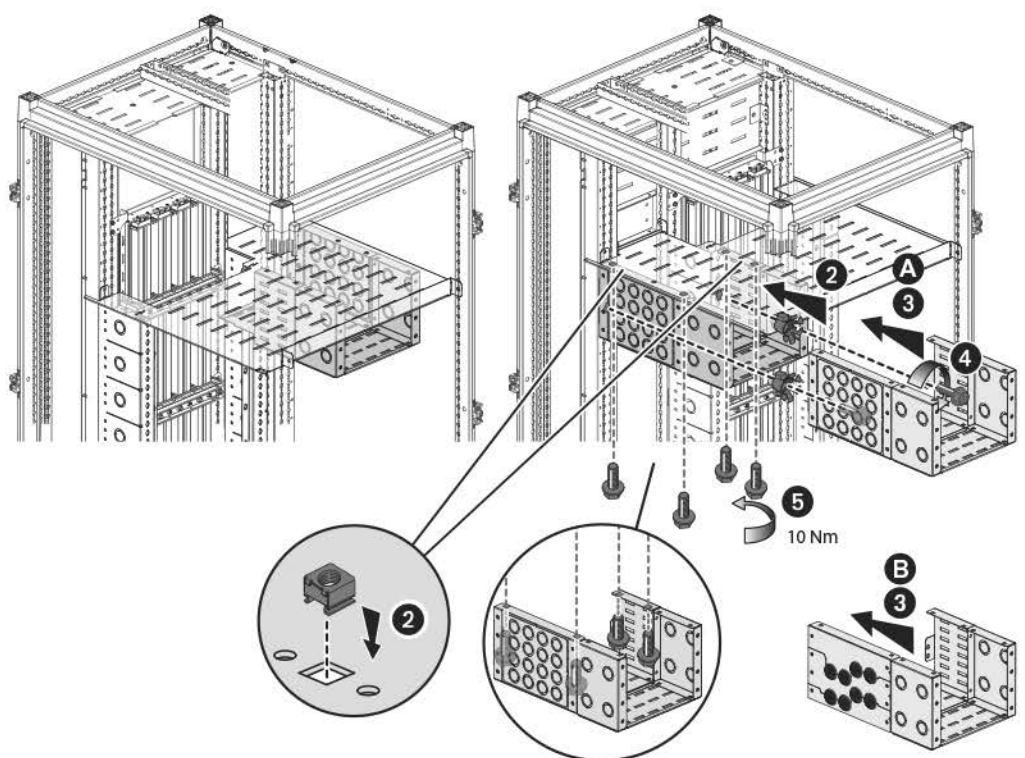
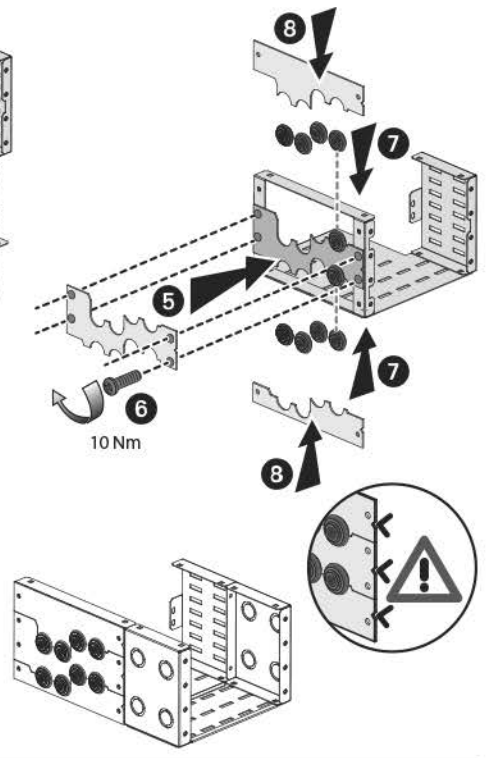
B

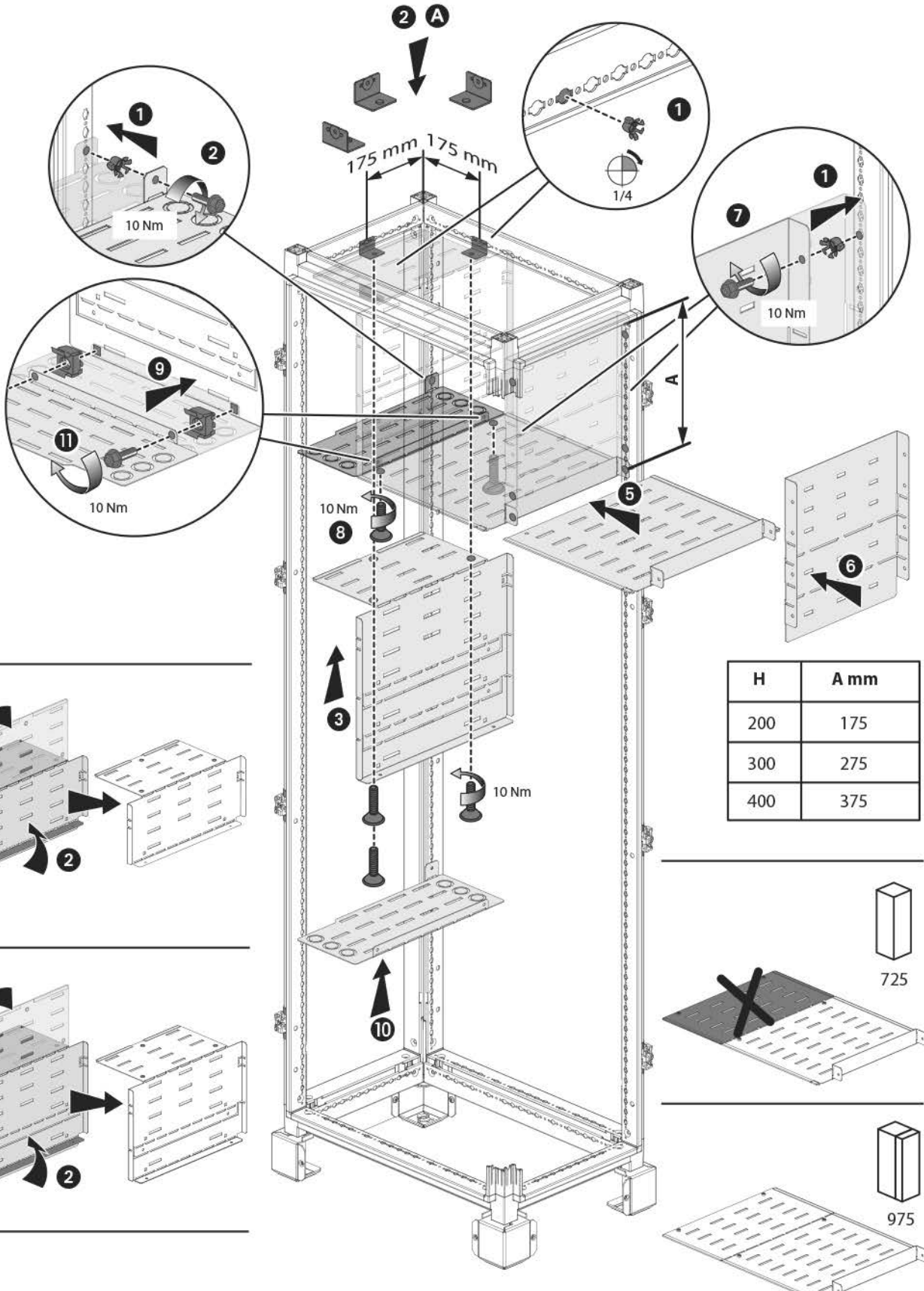
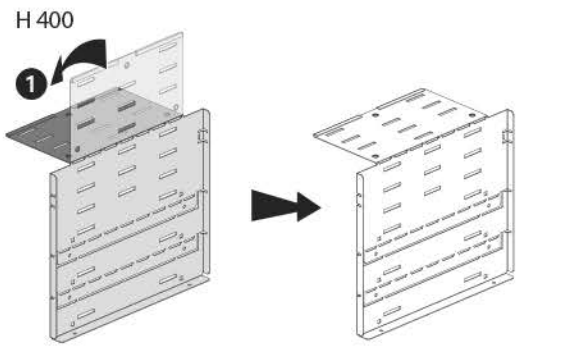
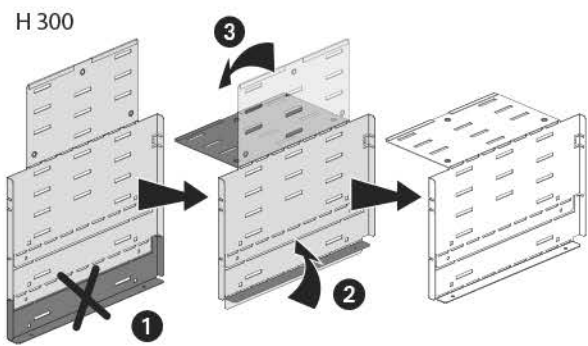
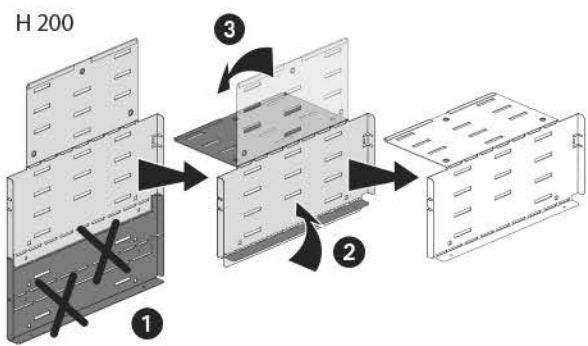
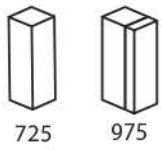
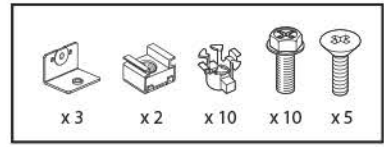


975

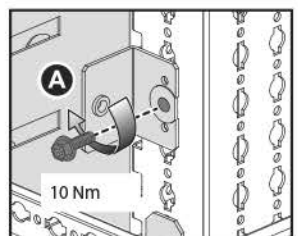
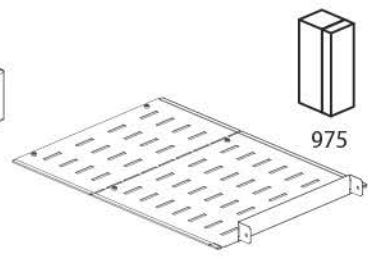
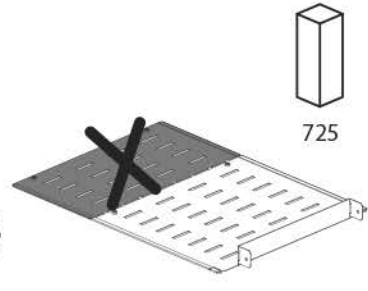


- x 8
- x 2
- x 10
- x 16

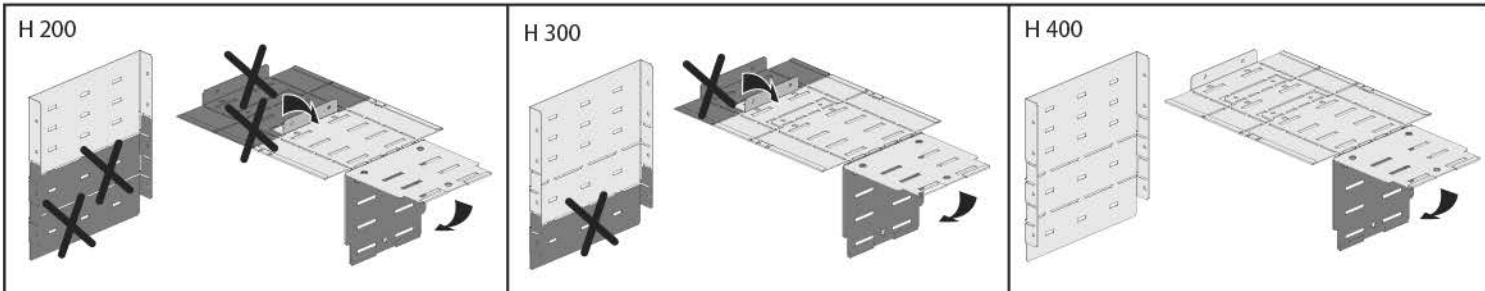
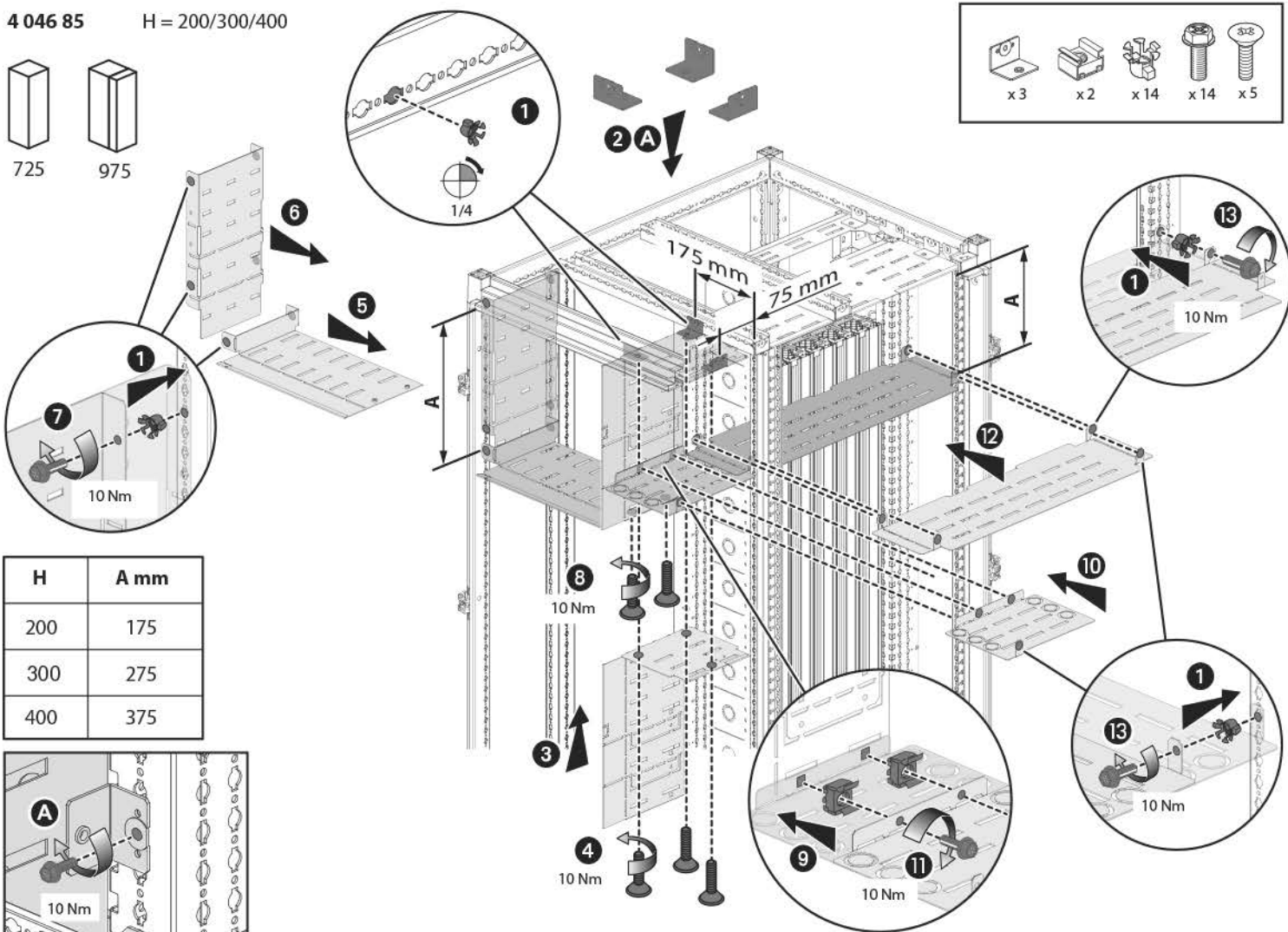
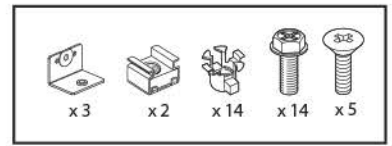
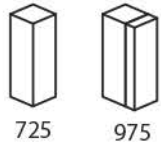




H	A mm
200	175
300	275
400	375



4 046 85 H = 200/300/400



		IS 223/233	IS 333			
725						
975		IS 223/233 - GAC	IS 223/233 - GAC			