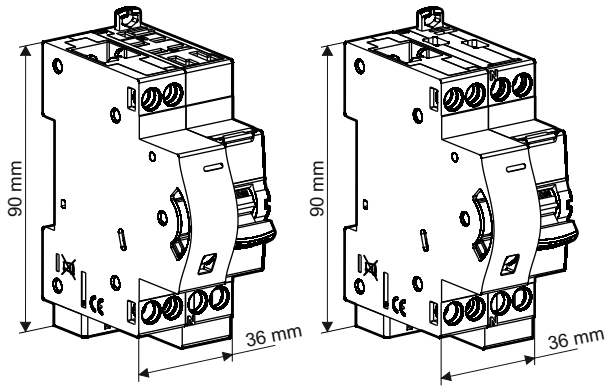
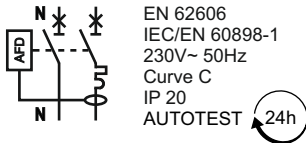
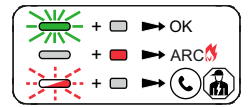
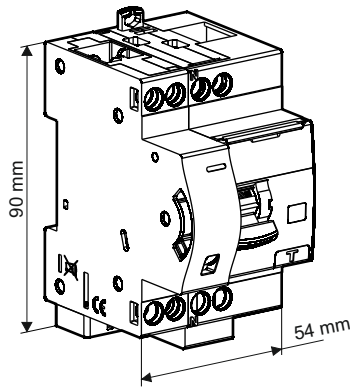
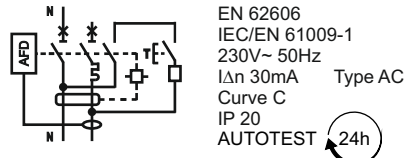


4 159 00/01/02/06/07/08/12/13/14



4 159 50/51/52



-A coller près de l'appareil
-This notice should be affixed near the device

