

	21-30 V _~
$x =$	x = 6-10
	1 x 2,5 mm ² / 2 x 1,5 mm ²
	4 x (∅ 0,6 mm < < ∅ 0,8 mm)
	-5°C → +45°C

0 026 78/79

Channel Selection Buttons

Manual Control Buttons

ON/OFF
UP/DOWN
OPEN/CLOSE Buttons

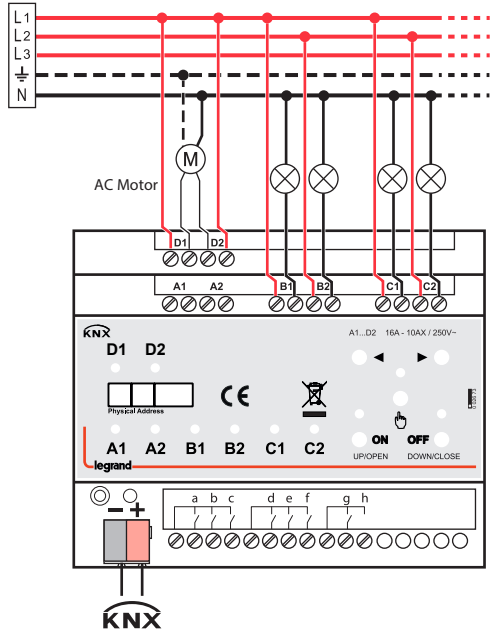
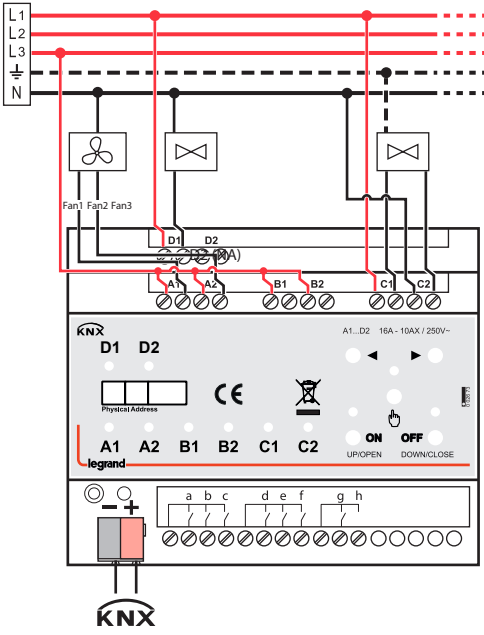
Outputs contain 5 independent outputs (AB, CD, EF, GH, IJ)

	Lighting	AC blind	DC blind	Fan coil fan control	Valve contro
0 026 72/73	A1A2-B1B2 ... D1D2	A-B-C-D	AB-CD	AB-CD	AB-CD
0 026 74	A1A2-B1B2 ... F1F2	A-B-C-D-E-F	AB-CD-EF	AB-CD-EF	AB-CD-EF
0 026 76	A1A2-B1B2 ... H1H2	A-B-C-D-E-F-G-H	AB-CD-EF-GH	AB-CD-EF-GH	AB-CD-EF-GH
0 026 78/79	A1A2-B1B2 ... J1J2	A-B-C-D-E-F-G-H-I-J	AB-CD-EF-GH-IJ	AB-CD-EF-GH-IJ	AB-CD-EF-GH-IJ

For lighting and AC blinds: Channels can be used individually, in example: A1 and A2 can be used as a switch for lighting and B1 and B2 can be used as an AC blind as shown with red coloured drawings in above visual.
 For DC blind, fan coil, fan control and valve control: Subsequent channels are linked together, in example: G1G2 and H1 H2 have to be used together for DC blind..... as shown with blue coloured drawings in above visual.

240 V~												
	400 VA	1,6 A	2400 VA	10 A	1800 VA	8 A	2400 VA	10 A	4000 VA	17 A	1000 VA	5 A

0 026 72/73



0 026 74

