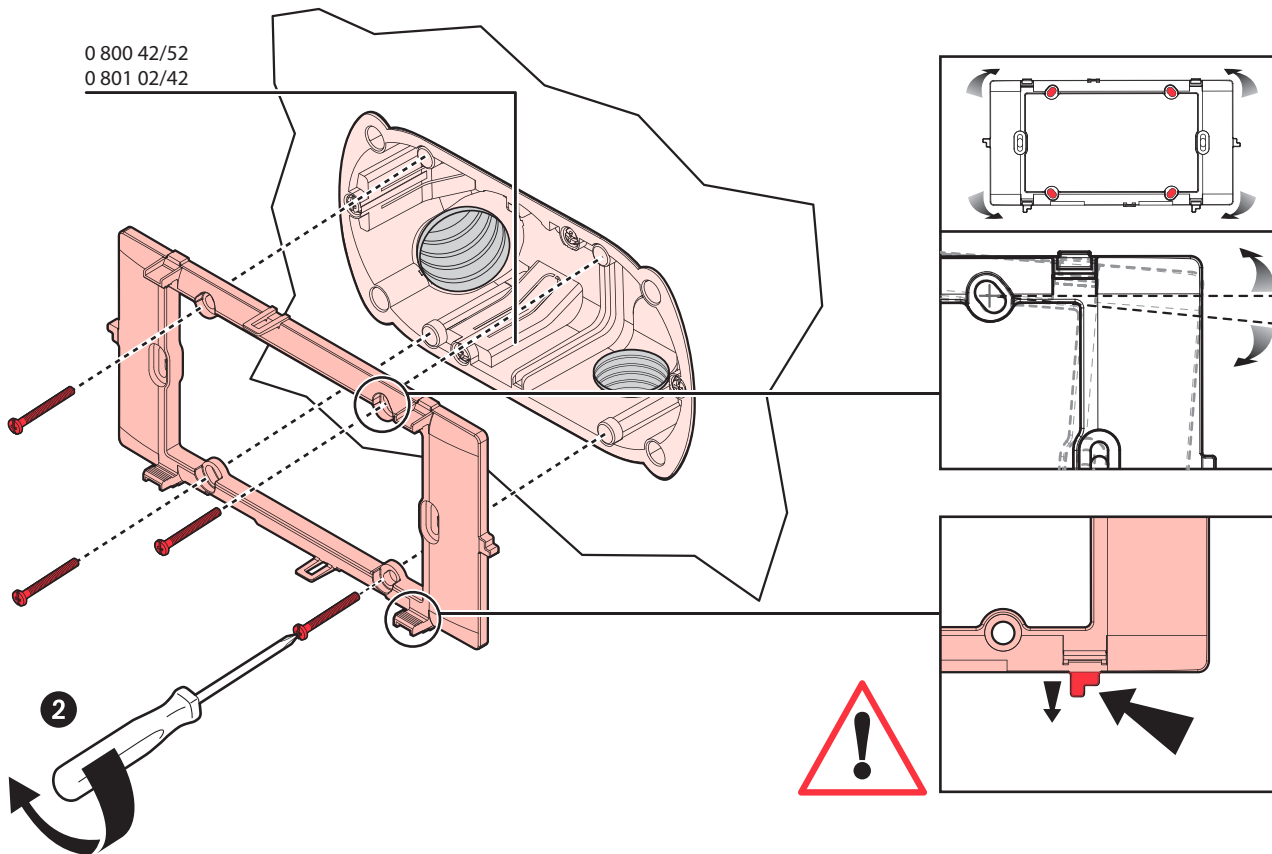
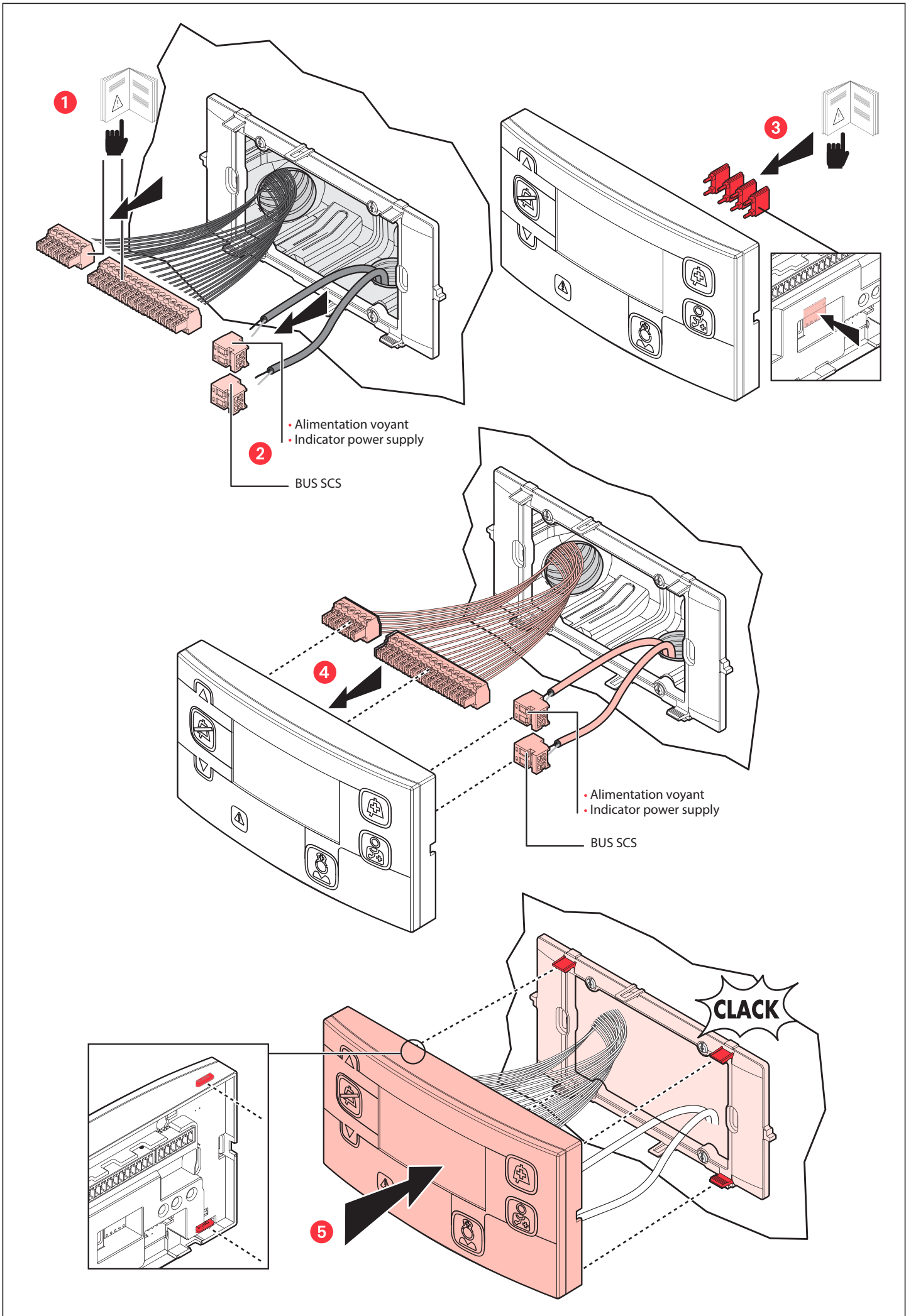
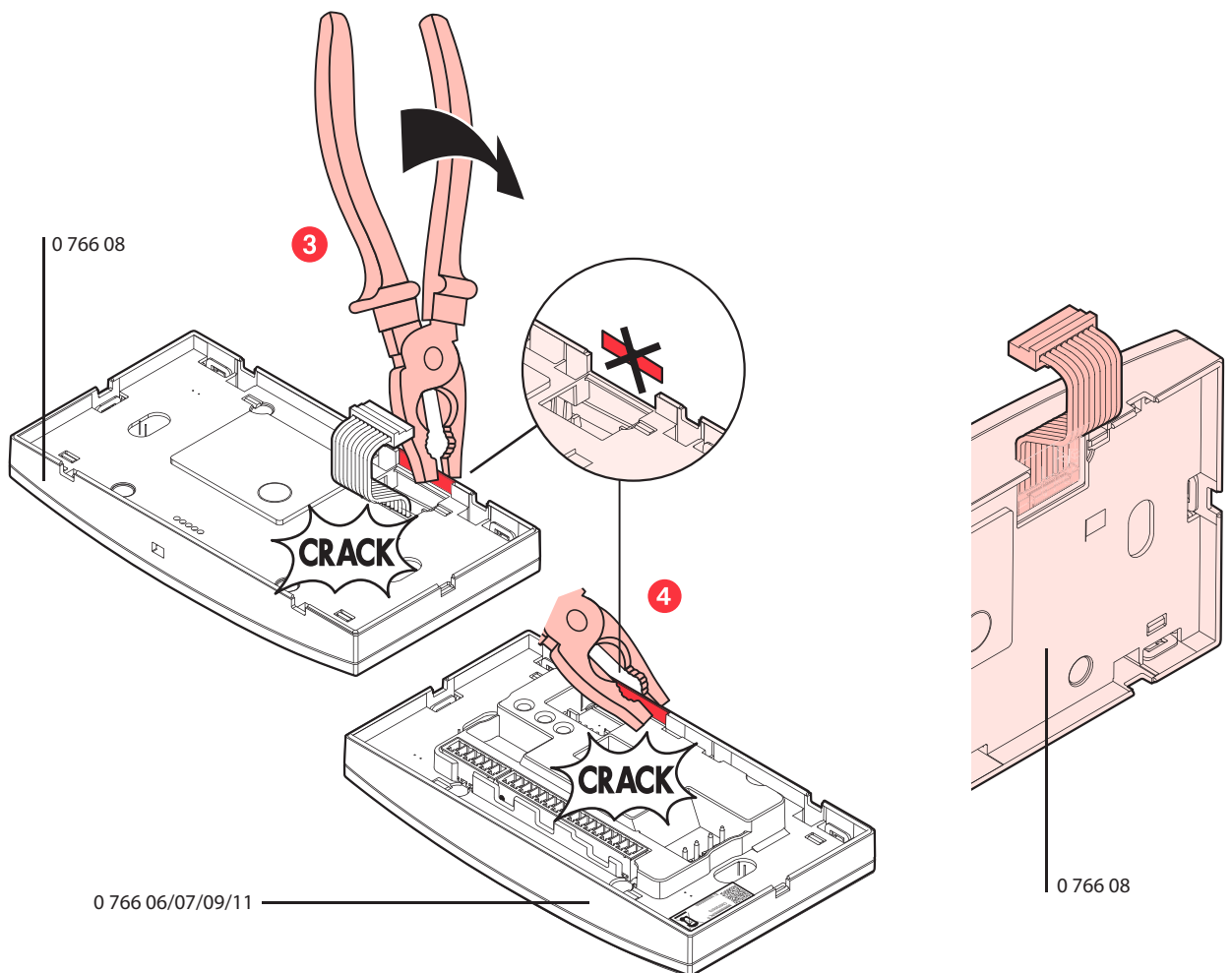
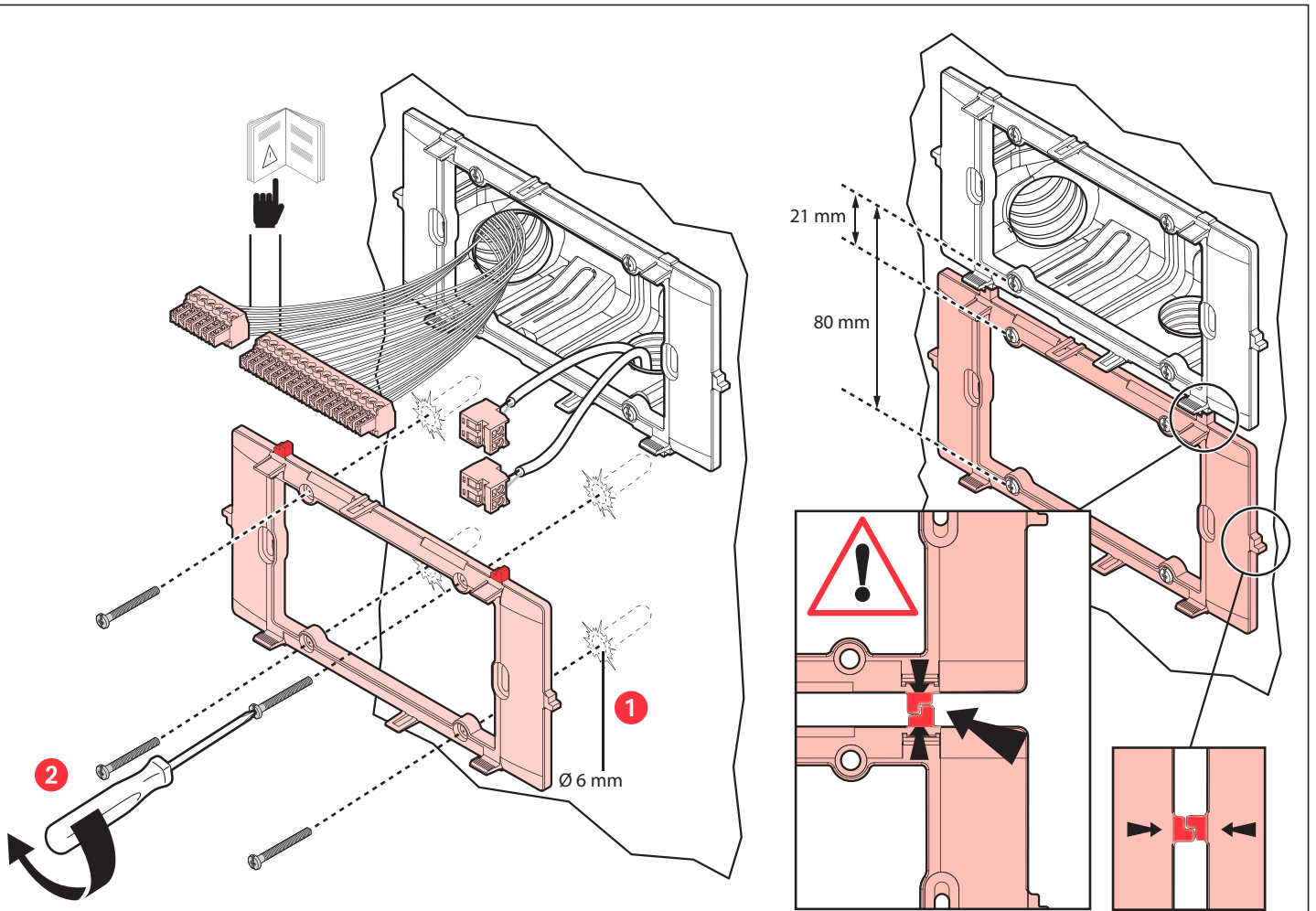


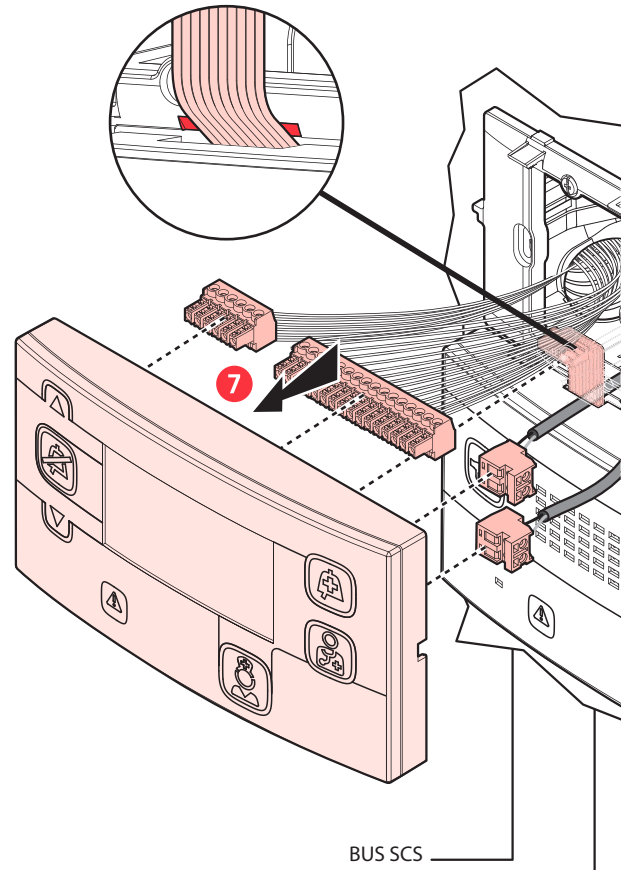
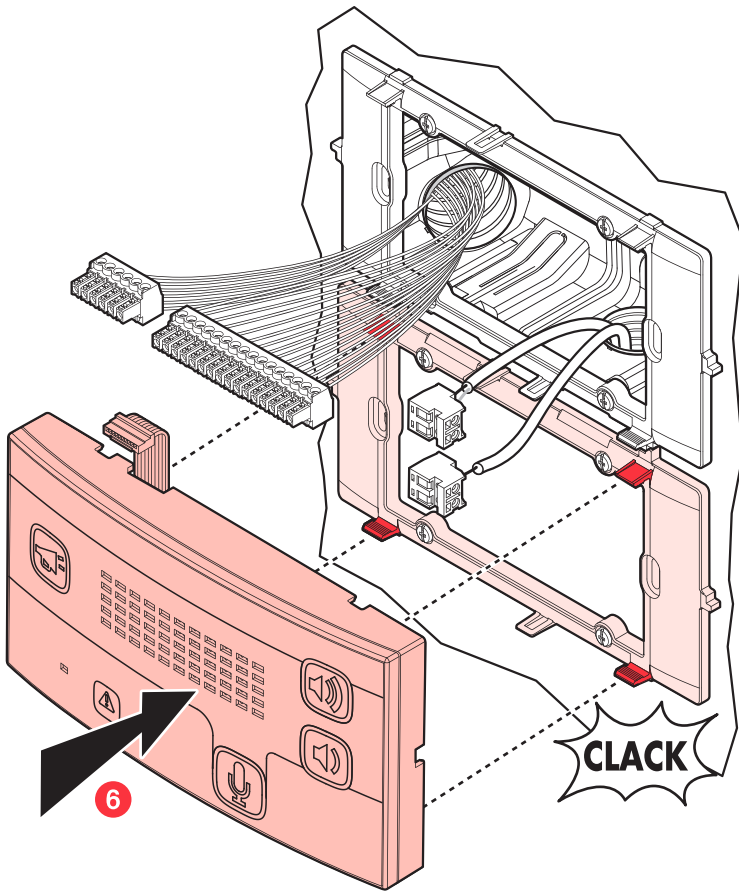
- Ne clipper les blocs qu'au premier cran
- Fasten the front to the first click

0 800 42/52  
0 801 02/42

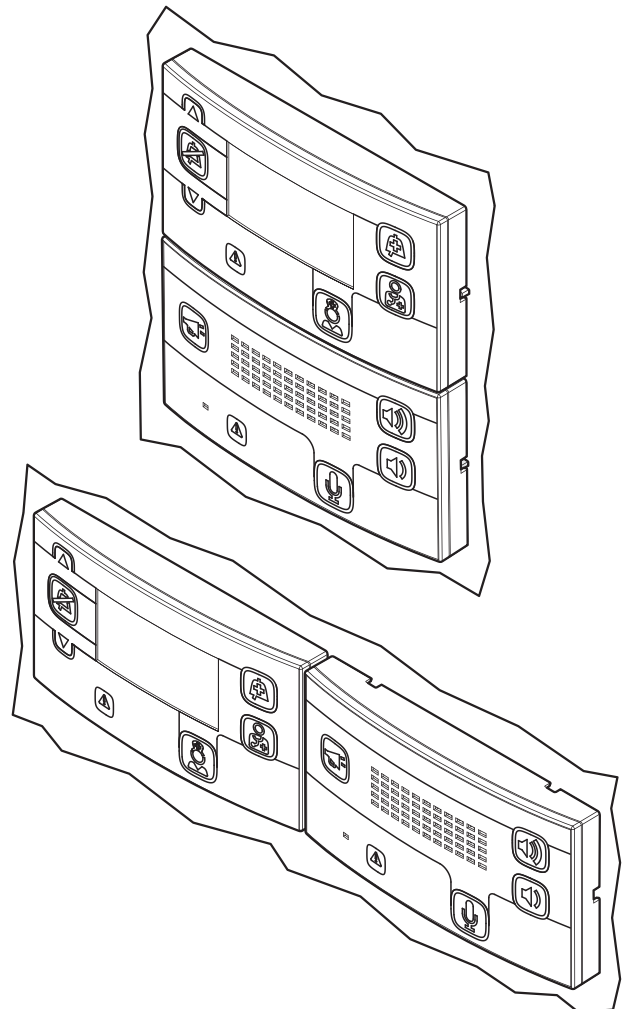
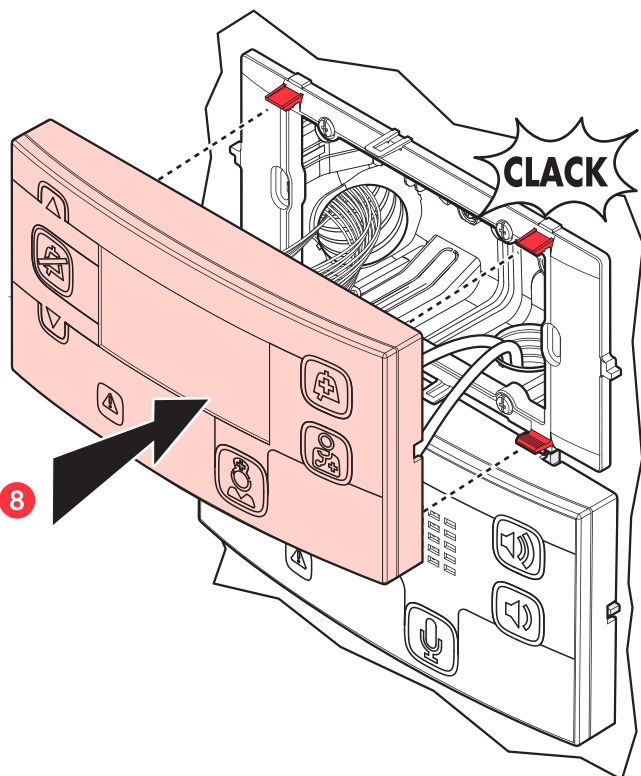


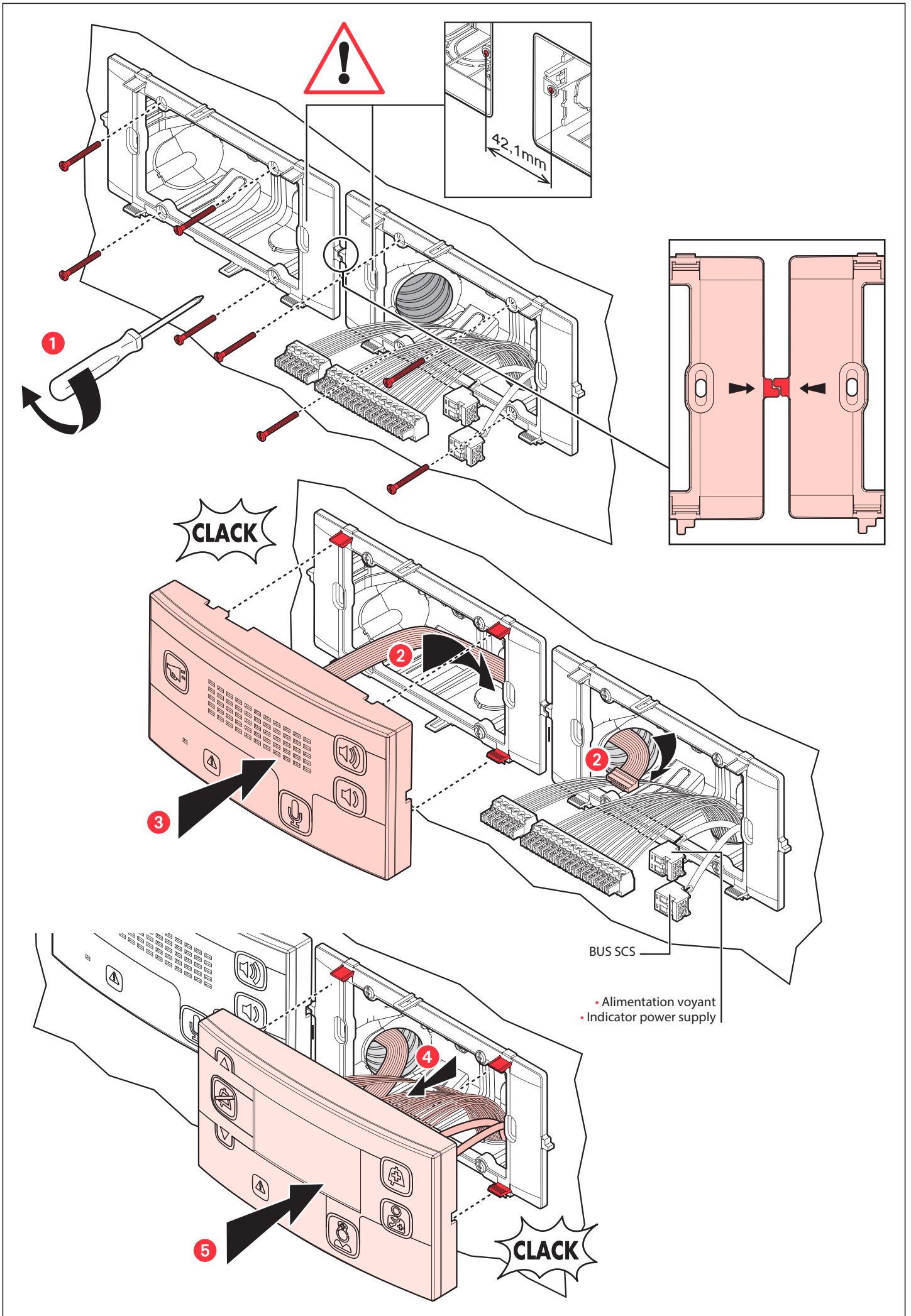






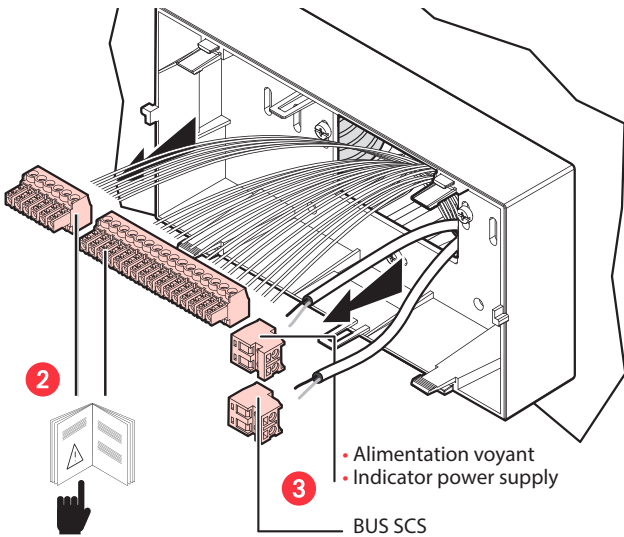
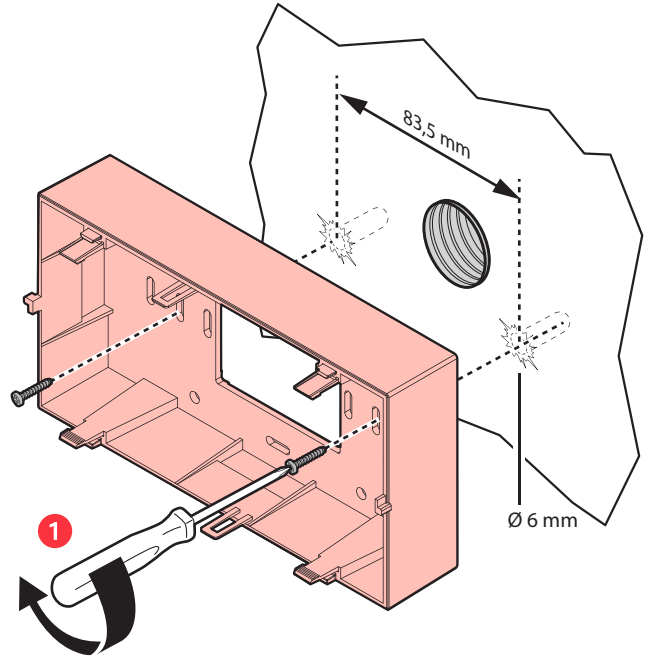
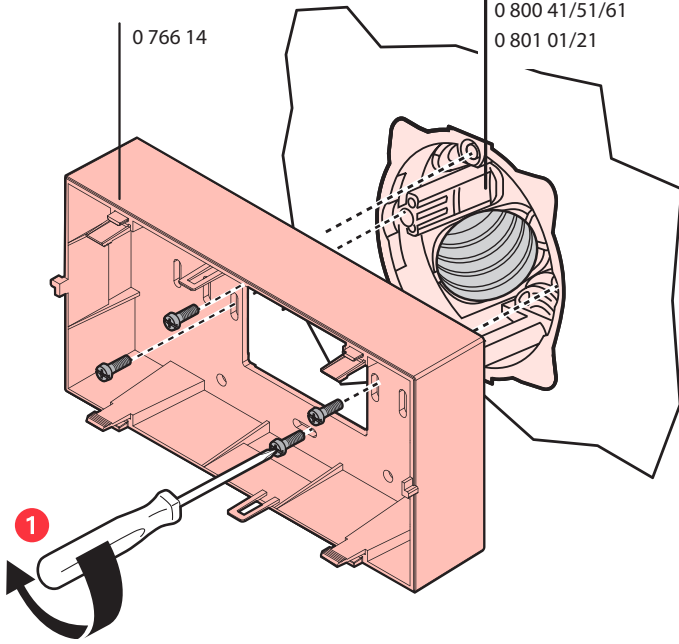
- Alimentation voyant
- Indicator power supply





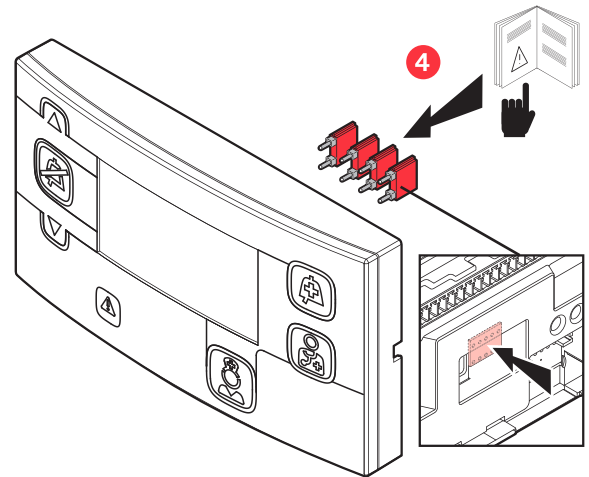
0 766 14

0 800 41/51/61  
0 801 01/21

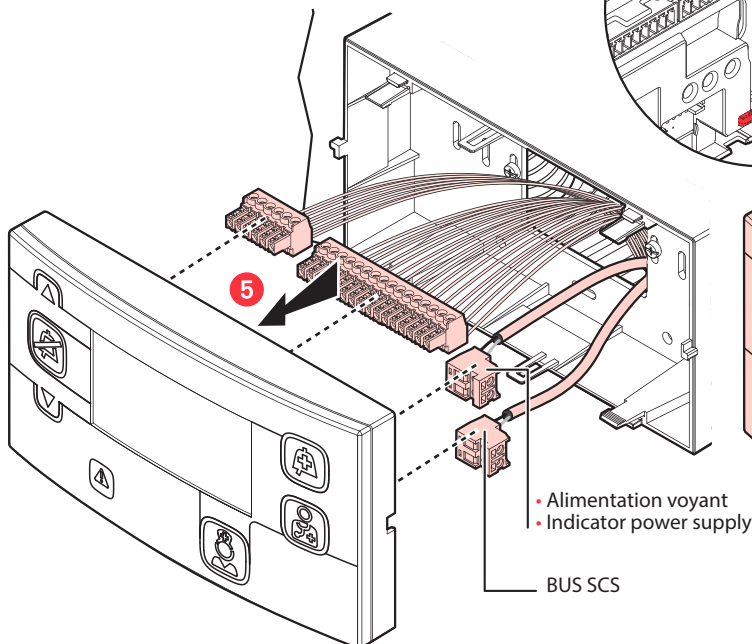
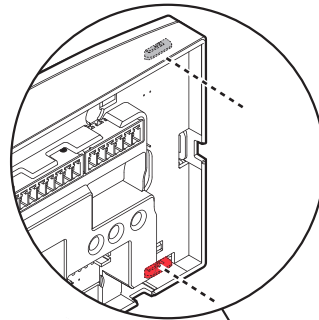


- Alimentation voyant
- Indicator power supply

3  
BUS SCS

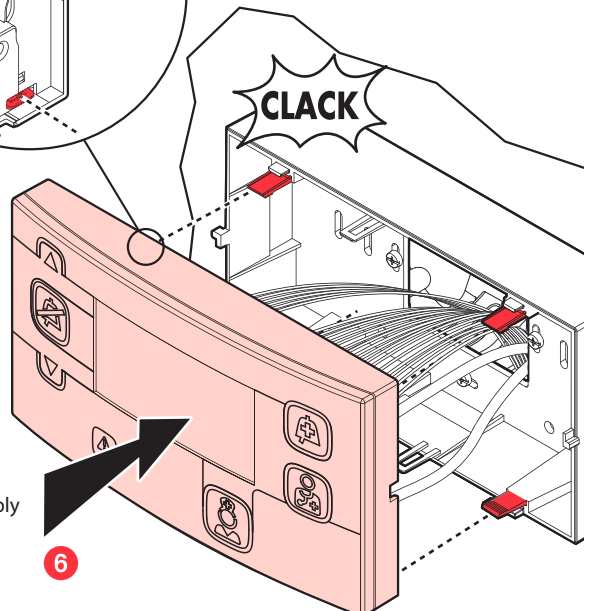


4



- Alimentation voyant
- Indicator power supply

5  
BUS SCS



6

