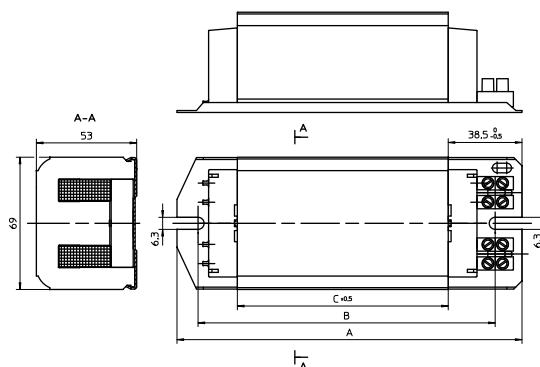
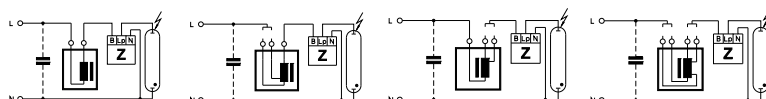
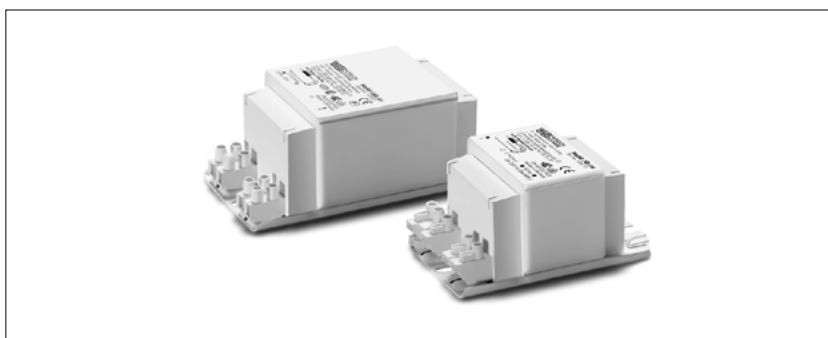


Ballasts with Thermal Cut-out for HS and HI Lamps 35 to 250 W

Shape: 53x69 mm

For high pressure sodium lamps (HS), metal halide lamps (HI) and ceramic discharge lamps (C-HI)
 Vacuum-impregnated with polyester resin
 With temperature switch with automatic reset
 Protection class I
 tw 130



Lamp			Ballast										Capacitor	
Output W	Type	Current A	Type	Ref. No.	Voltage AC V, Hz	a mm	b mm	c mm	Weight kg	Δt K	Power factor (λ)	Energy efficiency	Cp μF	In A
Push-in terminals: 0.5–1.5 mm²														
35	HS, HI	0.53	NaHj 35.209	571076	230/240, 50	112	86	36	1.10	35	0.36	A2	6	0.22
			NaHj 35.485*	571075	230/240, 50	112	86	36	1.07	60	0.40	EEl=A3	6	0.22/0.21
50	HS, HI	0.76	NaHj 70/50.157*	571081	230, 50	112	86	42	1.23	55	0.37	EEl=A3	8	0.30
70	HS, HI	0.98			70					70	0.37	EEl=A3	12	0.38
70	HS, HI	0.98	NaHj 70.128*	571009	230, 50	112	86	36	1.12	75	0.36	EEl=A3	12	0.38
			NaHj 70.226	571011	230, 50	112	86	41	1.28	60	0.37	A2	12	0.38
			NaHj 70.158*	570995	230/240, 50	112	86	36	1.15	70	0.36	EEl=A3	12	0.38/0.37
150	HS, HI	1.80	NaHj 150.995*	570994	230/240, 50	145	120	64	1.84	75	0.40	EEl=A3	20	0.77/0.74
Screw terminals: 0.5–2.5 mm²														
50	HS, HI	0.76	NaH 50.486*	571078	230/240, 50	112	86	36	1.07	65	0.37	EEl=A3	8	0.30
50	HS, HI	0.76	NaHj 70/50.695*	571085	230/240, 50	112	86	48	1.23	50	0.37	EEl=A3	8	0.30/0.29
70	HS, HI	0.98			70					70	0.37	EEl=A3	12	0.38/0.37
70	HS, HI	0.98	NaHj 70.226	571012	230, 50	112	86	41	1.28	60	0.37	A2	12	0.38
			NaHj 70.128*	571010	230, 50	112	86	36	1.12	75	0.36	EEl=A3	12	0.38
			NaHj 70.158*	570975	230/240, 50	112	86	36	1.15	70	0.36	EEl=A3	12	0.38/0.37
			NaHj 70.128*	571020	230/240, 50	112	86	36	1.15	70	0.36	EEl=A3	12	0.38/0.37
100	HS, HI	1.20	NaHj 100.213	571031	230/240, 50	112	86	45	1.38	65	0.41	A2	12	0.55/0.53
			NaHj 100.941*	571028	230, 50	112	86	36	1.14	75	0.42	EEl=A3	12	0.55
			NaHj 100.941*	570980	230/240, 50	112	86	36	1.15	75	0.42	EEl=A3	12	0.55/0.53
100	HS, HI	1.20	NaHj 150/100.973*	571244	230, 50	145	120	75	2.02	55	0.41	A2	12	0.55
150	HS, HI	1.80			75					75	0.41	EEl=A3	20	0.77
150	HS, HI	1.80	NaHj 150.166	571025	230/240, 50	180	155	110	3.08	50	0.40	A2	20	0.77/0.74
			NaHj 150.620*	571015	230, 50	145	120	64	1.83	75	0.40	EEl=A3	20	0.77
			NaHj 150.995*	570974	230/240, 50	145	120	64	1.84	75	0.40	EEl=A3	20	0.77/0.74
			NaHj 150.620*	571023	230/240, 50	145	120	64	1.84	75	0.40	EEl=A3	20	0.77/0.74
250	HS, HI	3.00	NaHj 250.915*	570993	230, 50	180	155	110	2.95	80	0.40	EEl=A3	32	1.26

* Ballasts without CE marking for replacements or markets outside of the EU

The values contained in this data sheet can change due to technical innovations. Any such changes will be made without separate notification.