

LED SPOT

TINY



TINY – RESIDENTIAL AND FURNITURE LIGHTING

Extremely small round one-single-LED spotlight perfect for a brilliant effect on your shelves.

The LEDSpot Tiny is a powerful, high-quality, easily customizable spotlight similar to a diamond. It is ideal to give a fresh look and to simply astonish your customers.

Typical applications

- Furniture lighting
- Residential lighting
- Retail lighting (shelves)



Tiny

- **CONSTANT-CURRENT OR VOLTAGE-DRIVEN**
- **5 YEARS GUARANTEE**
- **MADE IN ITALY**



Tiny – 350 mA

Complete LEDSpot equipped with optics, leads and metal frame

Technical notes

Metal frame: round

For cut-out: \varnothing 26 mm

Beam angle: 36°

Colour accuracy: 3SDCM

CRI: R_a 80

Leads: Cu tinned, stranded conductors AWG22,

PVC-insulation, lengths: 250 mm

Use of external LED constant-current drivers

Snap-in plastic clips for easy installation

Degree of protection: IP20

Allowed ambient temperature: 0 to 35 °C

Allowed storage temperature: -30 to 60 °C

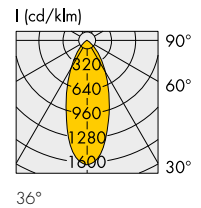
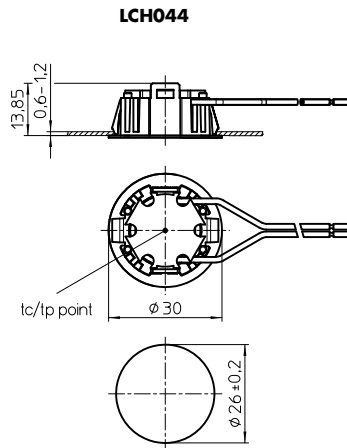
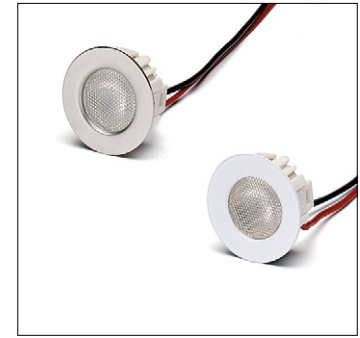
Lumen maintenance L70/B50:

50,000 hrs. (t_c/t_p = 80 °C)

Max. operating temperature at t_c/t_p point: 90 °C

Weight: 10.6 g

Packaging unit: 40 pcs.



Type	Description	Ref. No.		Colour	Correlated colour temperature (K)	Typ. luminous flux* (lm), typ. voltage* (U _{typ.}) and typ. power consumption* (P _{el.}) at 350 mA	Typ. CRI R _a	Beam angle °	Light intensity at 350 mA Candela	Energy efficiency at 350 mA
		Frame colour silver	white							
Tiny – 350 mA						P _{el.} = 0.98 W, U _{typ.} = 2.8 V				
LCH044	Tiny 219 3000K	563913	565884	warm white	3000	130	80	36	220	A++
LCH044	Tiny 219 4500K	563915	565885	neutral white	4500	140	80	36	240	A++

Emission data at t_i = 80 °C | * Measurement tolerance of luminous flux, voltage, power consumption: ± 5% | Further colour temperatures on request

LED Drivers

You will find more information about our LED drivers on our website: www.vossloh-schwabe.com

Capacity range W	Output current DC mA	Output voltage DC V	Ref. No.	Type	Dimming	Max. service life time hrs. at 70 °C	Connection	Dimensions LxWxH mm
IP20								
8.75	350	3–25	186519	ECXe 350.018	no	100,000	screw	65x30.7x21.5
11	350	2–32	186679	ECXe 350.009	no	50,000	screw	128x37x28

Please ensure you choose the correct LED driver for the module in question and that the respective output parameters (current, voltage, wattage) are correct

The values contained in this data sheet can change due to technical innovations. Any such changes will be made without separate notification.

Tiny Kit

Kit for installation of 3–5 Tiny spots

Plug and Play kit for easy and fast connection
 Consisting of constant-current LED driver 186341
 and 5 Tiny spots (the number of spots can be
 reduced to three) and connection cables
 Total power consumption of the kit: 6.6 W
 Packaging unit: 1 pcs.

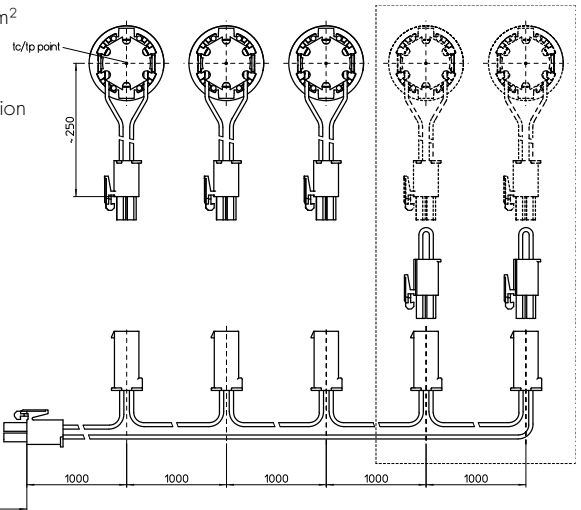
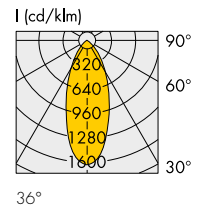


Technical notes

Metal frame: white, round
 For cut-out: Ø 26 mm
 Beam angle: 36°
 Colour accuracy: 3SDCM
 CRI: R_a 80
 Leads: Cu tinned, stranded conductors AWG22,
 PVC-insulation, lengths: 250 mm
 Snap-in plastic clips for easy installation
 Degree of protection: IP20
 Allowed ambient temperature: 0 to 35 °C
 Allowed storage temperature: -30 to 60 °C
 Lumen maintenance L70/B50:
 50,000 hrs. (t_c/t_p = 80 °C)
 Max. operating temperature at t_c/t_p point: 90 °C
 Weight of 5 spots and 1 driver: 250 g

EasyLine LED driver 186341

Type: ECXe 350.078
 Dimensions: 122.8x45x19 mm
 Mains voltage: 220–240 V ±10%
 Mains frequency: 50–60 Hz
 Max. output: 12.6 W
 Current output DC: 350 mA
 Voltage output DC: 8.4–36 V
 Power factor at full load: > 0.5
 Screw terminals: 0.5–2.5 mm²
 Electronic short-circuit
 protection
 Overload protection, protection
 against "no load" operation,
 degree of protection: IP20,
 protection class II, SELV
 Product guarantee: 5 years



LED drivers

Dimensions: 122.8x45x19 mm

Type	Description	Ref. No.	Colour	Correlated colour temperature (K)	Typ. luminous flux* (lm), typ. voltage* (U _{typ.}) and typ. power consumption* (P _{el}) at 350 mA	Typ. CRI R _a	Beam angle °	Light intensity at 350 mA Candela	Energy efficiency at 350 mA
					P _{el} = 0.98 W, U _{typ.} = 2.8 V				
LCH044	Tiny 219 3000K KIT	566611	warm white	3000	130**	80	36	220**	A++
LCH044	Tiny 219 4500K KIT	568434	neutral white	4500	140**	80	36	240**	A++

Emission data at t_j = 80 °C | * Measurement tolerance of luminous flux, voltage, power consumption: ± 5% | ** Values for a single spot
 Further colour temperatures or frame colours on request

The values contained in this data sheet can change due to technical innovations. Any such changes will be made without separate notification.

Tiny – 12 V DC

Complete LEDSpot equipped with optics, leads and metal frame

Technical notes

Metal frame: round

For cut-out: Ø 26 mm

LEDSpot with 3 LEDs

Beam angle: 36°

CRI: R_a 80

Leads: Cu tinned, stranded conductors AWG22,

PVC-insulation, lengths: 250 mm

Use of external LED constant-voltage converter

Snap-in plastic clips for easy installation

Degree of protection: IP20

Allowed ambient temperature: 0 to 35 °C

Allowed storage temperature: -30 to 60 °C

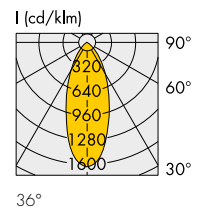
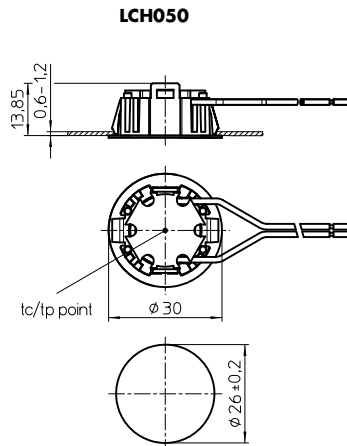
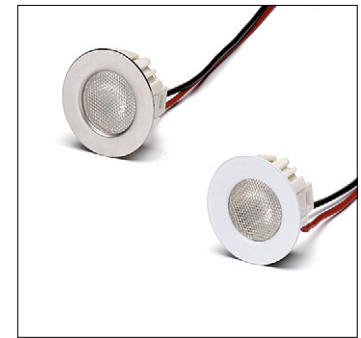
Lumen maintenance L70/B50:

50,000 hrs. (t_c/t_p = 80 °C)

Max. operating temperature at t_c/t_p point: 90 °C

Weight: 10.6 g

Packaging unit: 40 pcs.



Type	Description	Ref. No.	Colour	Correlated colour temperature (K)	Max. power consumption (W)	Typ. luminous flux (lm)	Typ. CRI R _a	Beam angle (°)	Light intensity (Candela)	Energy efficiency
		Frame colour								
		silver	white							

Tiny – 12 V DC

LCH050	Tiny Wi 12 V	569263	569264	warm white	3000	1.1	100	80	36	170	A++
LCH050	Tiny Wi 12 V	568264	569265	neutral white	4000	1.1	105	80	36	180	A++

Emission data at t_i = 80 °C | * Measurement tolerance of luminous flux, voltage, power consumption: ± 5% | Further colour temperatures on request

LED Converters

You will find more information about our LED drivers on our website: www.vossloh-schwabe.com

Capacity range (W)	Mains voltage (50–60 Hz, V ±10 %)	Output current (A)	Ref. No.	Version	Max. service life time (hrs.)	Service life time at °C	Connection	Dimensions (LxWxH mm)
--------------------	-----------------------------------	--------------------	----------	---------	-------------------------------	-------------------------	------------	-----------------------

12 V

6	220–240	0–0.5	186412	EasyLine	50,000	55	Preassembled leads	81.6x42.5x23
12	220–240	0–1	186204	ComfortLine	100,000	65	Screw terminals	103.5x36x22
20	220–240	0–1.68	186620	EasyLine	50,000	65	Screw terminals	123x45x19
60	220–240	0–5	186621	EasyLine	50,000	70 / 80	Screw terminals	180x52x30
75	220–240	0–6.25	186622	EasyLine	50,000	75	Screw terminals	180x52x30
100	220–240	0–8.4	186623	EasyLine	50,000	70 / 80	Screw terminals	300x40x30

Please ensure you choose the correct LED driver for the module in question and that the respective output parameters (current, voltage, wattage) are correct

The values contained in this data sheet can change due to technical innovations. Any such changes will be made without separate notification.

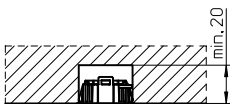
Tiny – Installation Instruction

General safety information

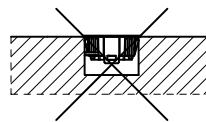
- VS product may only be installed and commissioned by authorised and fully qualified staff.
- These instructions must be carefully read before installing and commissioning the system, as this is the only way to ensure safe and correct handling.
- An external driver for 350 mA or 12 V converter are required (included with the Tiny Kit Ref. No.: 566611/568434).
- Before any work is carried out on the equipment, it must be disconnected from the mains.
- All valid safety and accident-prevention regulations must be observed.
- The products should never be inexpertly opened. Repairs may only be undertaken by the manufacturer.
- Dimming: The dimming characteristics of the installed driver have to be observed.
- The photo biological safety of the LED modules is classified into risk groups in accordance with EN 62471: 2008 and IEC TR 62778: risk group 1.
- Do not use LEDSpots Tiny in locations containing a bath or shower; LEDSpots Tiny are IP20 protected.

See drawing and cut out for each product on previous pages

Built-in



Correct position



All VS LED Spots at a glance

Tiny

LEDSpot with optics, leads and metal frame
 For cut-out: Ø 26 mm
 Beam angle: 36°
 Lumen output: max. 140 lm
 Versions: CC, CV, Kit



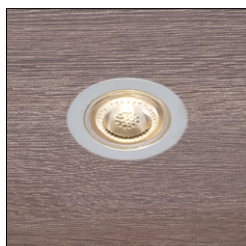
StartLine

LEDSpot with optics, heat sink, leads and frame
 For cut-out: Ø 56 mm
 Beam angle: 30°, 36°, 38°
 Lumen output: max. 250 lm
 Versions: CC, CV



EffectLine

LEDSpot with optics, heat sink, leads and metal frame
 For cut-out: Ø 37 mm
 Beam angle: 10°, 16°, 28° or 38°
 Lumen output: max. 250 lm
 Versions: CC



IPLine

LEDSpot IP54 with optics, heat sink, leads and metal frame
 For cut-out: Ø 56 mm
 Beam angle: 40°
 Lumen output: max. 330 lm
 Versions: CC



FlatLine

LEDSpot with optics, leads and metal frame
 For cut-out: Ø 56 mm
 Beam angle: 60°, 70°
 Lumen output: max. 270 lm
 Versions: CC, CV, TW, Kit



DisLine

LEDSpot with optics, heat sink, leads and metal frame
 For cut-out: Ø 56 mm
 Beam angle: 45°, 55°
 Lumen output: max. 220 lm
 Versionen CC



SmartLine COB

LEDSpot with optics, heat sink, leads and metal frame
 For cut-out: Ø 56 mm
 Beam angle: 40°
 Lumen output: max. 330 lm
 Versions: CC



SoftLine

LEDSpot with heat sink, leads and metal frame
 For cut-out: Ø 56 mm
 Beam angle: 90°
 Lumen output: max. 225 lm
 Versions: CV



SmartLine SMD

LEDSpot with optics, heat sink, leads and metal frame
 For cut-out: Ø 56 mm
 Beam angle: 36°, 40°
 Lumen output: max. 250 lm
 Versions: CC, CV



Revo

LEDSpot with optics and frame
 For cut-out: 67.5x25x5 mm
 Beam angle: 60°, 70°
 Lumen output: max. 255 lm
 Versions: CC, CV, TW



The values contained in this data sheet can change due to technical innovations. Any such changes will be made without separate notification.