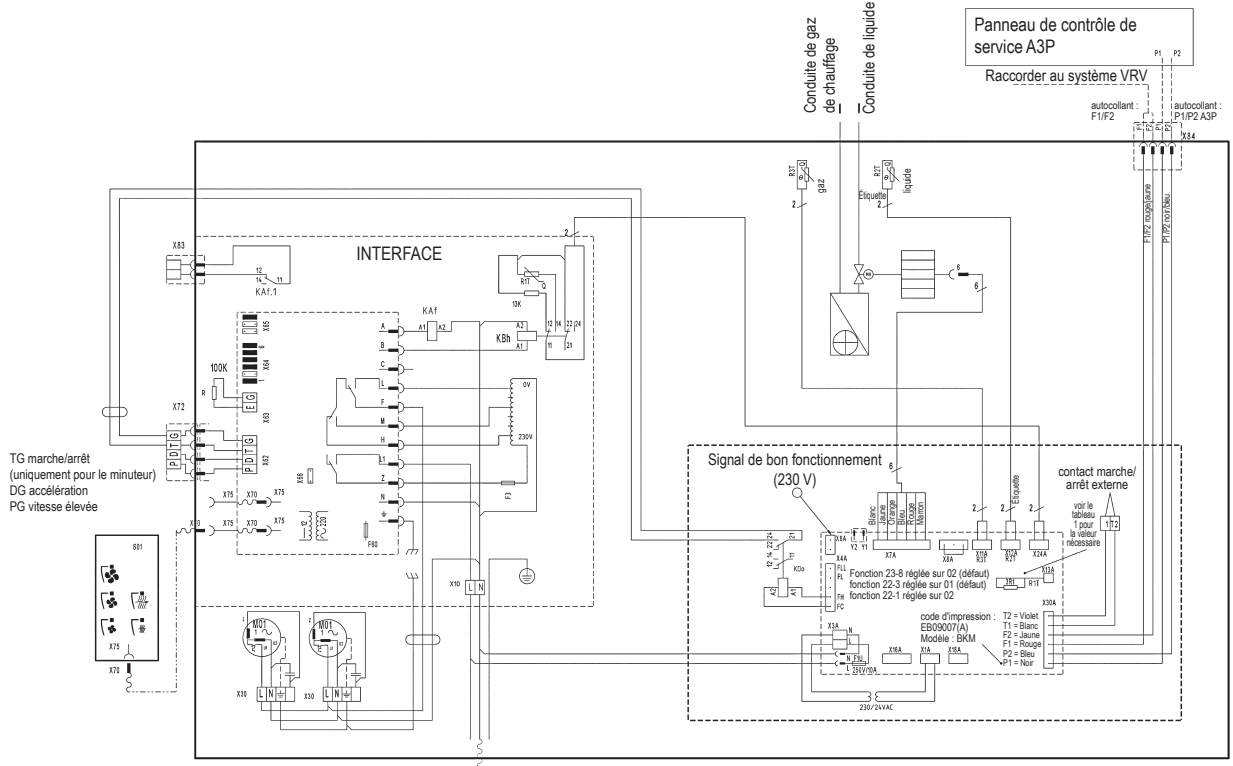


CYVS150DK80F/C/R
 CYVS200DK100F/C/R
 CYVS250DK140F/C/R

CYVM150DK80F/C/R
 CYVM200DK100F/C/R
 CYVM250DK140F/C/R

CYVL150DK200F/C/R
 CYVL200DK250F/C/R
 CYVL250DK250F/C/R

0 1 2 3 4 5 6 7 8 9



KBh, KA1, KDo = relais Finder type 46.52.8.230.0054 (230 Vca)