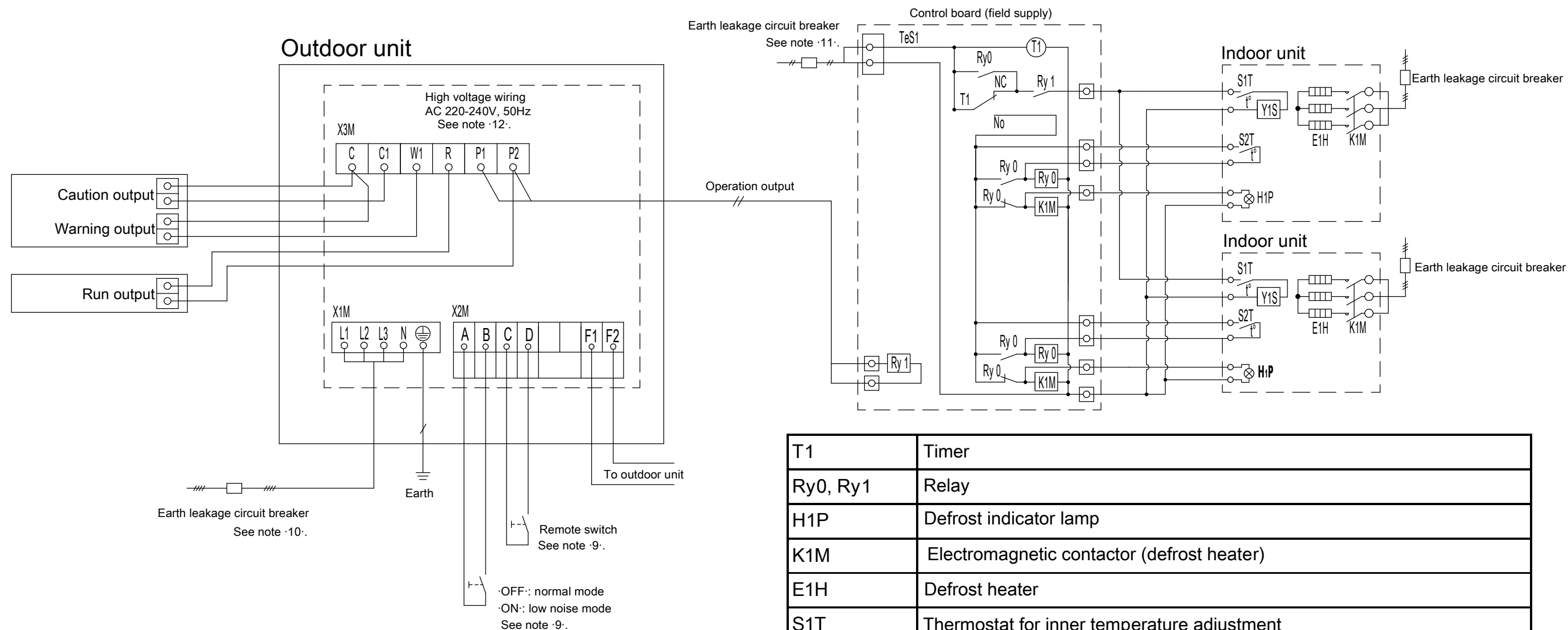


LRMEQ-BY1



T1	Timer
Ry0, Ry1	Relay
H1P	Defrost indicator lamp
K1M	Electromagnetic contactor (defrost heater)
E1H	Defrost heater
S1T	Thermostat for inner temperature adjustment
S2T	Defrost completion thermostat
Y1S	Solenoid valve

Notes	
1	All wiring, components and materials to be procured on-site must comply with the applicable legislation.
2	Use copper conductors only
3	For more details, refer to the wiring diagram of the unit.
4	Install a circuit breaker for safety.
5	All field wiring and components must be provided by an authorised electrician.
6	Unit has to be grounded in compliance with the applicable legislation.
7	The wiring shown is a general points-of-connection guide and is not intended to include all details for a specific installation.
8	If there exists the possibility of reversed phase, loose phase or momentary blackout, or if the power goes on and off while the product is operating, attach a reversed phase protection circuit locally. Running the product in reversed phase may break the compressor and other parts.
9	In case a remote switch is used, use a non-voltage contact for microcurrent (no more than ·1·mA, ·12·V DC).
10	Install an earth leakage circuit breaker for earth fault, overload, and short-circuit protection. Circuit breaker requirements: ·3·-phase, ·380-415·V, ·50·Hz, high-frequency type.
11	Install an earth leakage circuit breaker for earth fault, overload, and short-circuit protection.
12	The capacity of this contact is ·220-240·V AC - ·0.5· A (total of operation output, caution output, warning output, and run output).

3D111889