



CSK

Screw cable lug for Cu and Al

longitudinally sealed, with shear head bolts, for low and medium voltage

Screw cable lug for RM/SM/RE/SE aluminium and copper conductors, suitable for indoor and outdoor terminations.

Material

- Aluminium tin-plated

Application/Suitability

- For connecting conductors class 1 and class 2 in compliance with DIN-EN / IEC 60228

Test standards

- IEC 61238-1

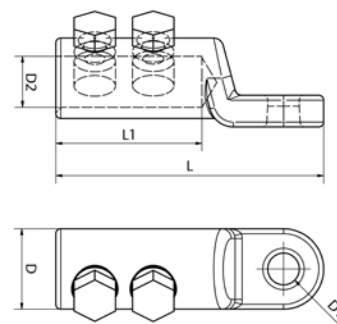


Scope of delivery

Screw cable lug, assembly instructions

Note: Cellpack counter-holder recommended for installation (see Accessories).

Dimensions



L = Length

L1 = Centric bore hole

D = Outer diameter

D1 = Plate bore diameter

D2 = Bore hole diameter

Type	L mm	L1 mm	D mm	D1 mm	D2 mm	Number of bolts	Art.-No.
CSK	6-50	65	30	22	13	1	313461
	16-95	65	30	22	13	1	291122
	50-150	80	35	28	13	1	290812
	95-240	110	60	33	13	2	289968
	95-240 DM17	110	60	33	17	2	289984
	240-400*	135	75	40	17	2	291178

*CSK 240-400: RM/RE cross section from 240 to 400 mm², SM/SE cross section from 240 to 300 mm²