

Protistor® BS88-4 17x49 aR URZ/URY

690VAC (IEC)

SEMICONDUCTOR PROTECTION FUSES

BRITISH STANDARD HIGH-SPEED FUSE-LINKS AC PROTECTION



The 690V Protistor® BS88-4 fuse-links provide maximum flexibility in equipment design and ultimate protection for protection of power semiconductors. These fuse-links are defined as per IEC 60269-1 and -4, VDE 636-23 and BS88-4 for a worldwide acceptance. The Protistor® have been engineered to provide state-of-the-art protection for semiconductors: diodes, thyristors, GTO's and IGBT devices. Fuses are assembled with pure silver, die-cut elements embedded in solidified sand, which helps control arcing characteristics for a lower I^2t and high interrupting rating level. Each fuse-link can be equipped with a low voltage trip-indicator which can operate a field mountable microswitch.

TECHNICAL DATA OVERVIEW

Voltage AC	690 VAC
Ampere Range (A)	35 ... 100 A
Size per Standard	17x49
Speed/Characteristic	aR
I.R. AC (IEC)	200 kA

FEATURES & BENEFITS

- Extremely fast acting
- Current limiting
- Very high breaking capacity
- Low watts loss

APPLICATIONS

- Small inverters
- UPS systems
- Variable speed drives
- Similar 700V or less equipment

STANDARDS

- IEC 60269-4
- UL Recognized Component (BS17UZ69V only) - UL File E76491



Protistor® BS88-4 17x49 aR URZ/URY 690VAC (IEC)

PRODUCT RANGE



BS17UZ69V63

Size 17x49 aR URZ/URY 690VAC without trip-indicator

Catalog number	Item number	Rated voltage AC (IEC)	Rated current I _n	Pre-arcing I ² t	Clearing I ² t at Rated Voltage	Rated breaking capacity AC	Power dissipation at I _n	Package	Weight
BS17UZ69V35	L221247	690 V	35 A	53 A ² s	330 A ² s	200 kA	11 W	10	35 g
BS17UZ69V40	M221248	690 V	40 A	69 A ² s	430 A ² s	200 kA	13.5 W	10	35 g
BS17UZ69V45	N221249	690 V	45 A	96 A ² s	610 A ² s	200 kA	14.5 W	10	35 g
BS17UZ69V50	P221250	690 V	50 A	155 A ² s	970 A ² s	200 kA	17 W	10	35 g
BS17UZ69V63	Q221251	690 V	63 A	210 A ² s	1320 A ² s	200 kA	19.5 W	10	35 g
BS17UY69V71	R221252	690 V	71 A	240 A ² s	1510 A ² s	200 kA	24 W	10	35 g
BS17UY69V80	S221253	690 V	80 A	390 A ² s	2450 A ² s	200 kA	25.5 W	10	35 g
BS17UY69V90	T221254	690 V	90 A	520 A ² s	3250 A ² s	200 kA	27 W	10	35 g
BS17UY69V100	V221255	690 V	100 A	625 A ² s	3900 A ² s	200 kA	33 W	10	35 g



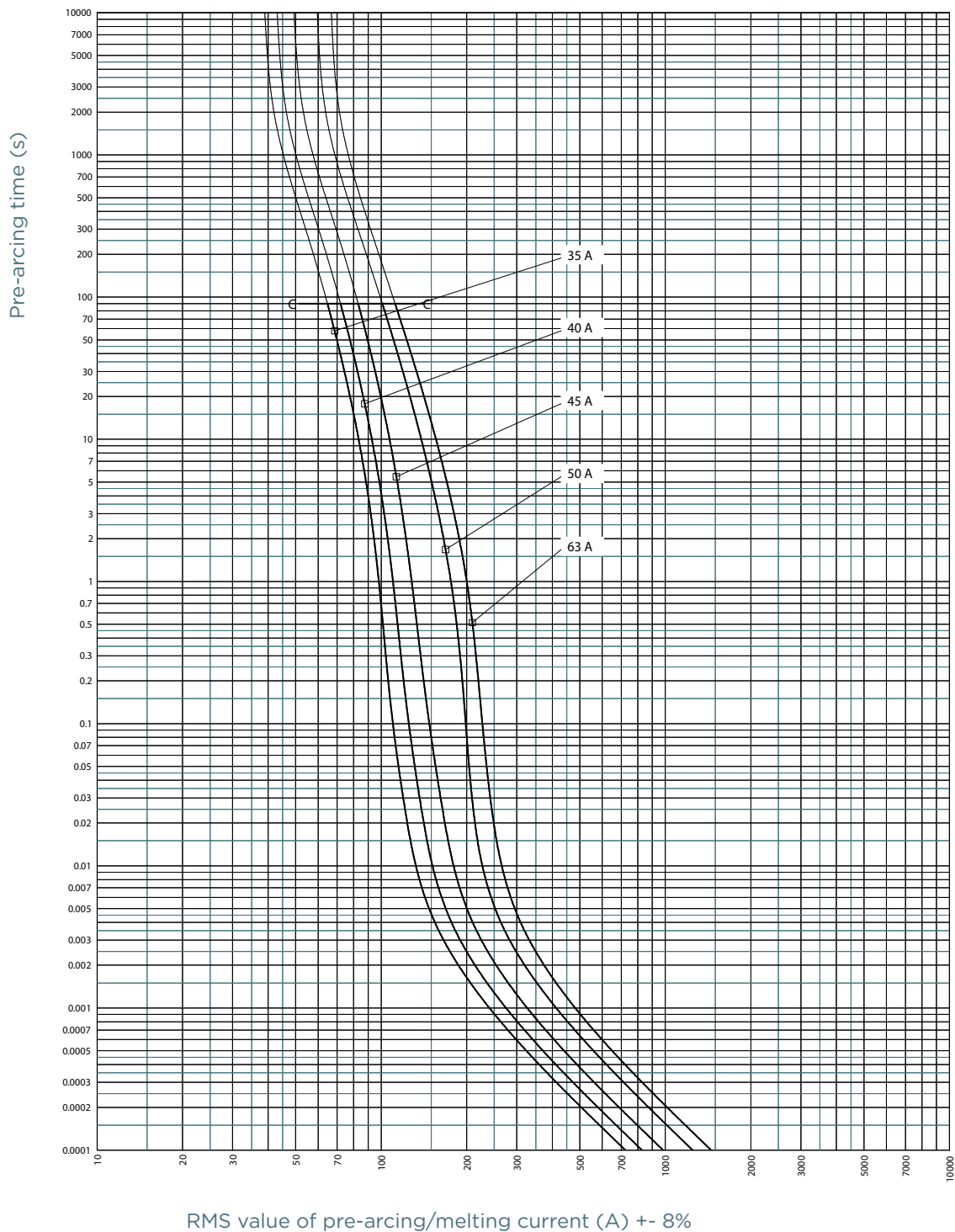
BS17UZ69V63P

Size 17x49 aR URZ/URY 690VAC with separated trip-indicator

Catalog number	Item number	Rated voltage AC (IEC)	Rated current I _n	Pre-arcing I ² t	Clearing I ² t at Rated Voltage	Rated breaking capacity AC	Power dissipation at I _n	Package	Weight
BS17UZ69V35P	W221256	690 V	35 A	53 A ² s	330 A ² s	200 kA	11 W	10	50 g
BS17UZ69V40P	X221257	690 V	40 A	69 A ² s	430 A ² s	200 kA	13.5 W	10	50 g
BS17UZ69V45P	Y221258	690 V	45 A	96 A ² s	610 A ² s	200 kA	14.5 W	10	50 g
BS17UZ69V50P	Z221259	690 V	50 A	155 A ² s	970 A ² s	200 kA	17 W	10	50 g
BS17UZ69V63P	A221260	690 V	63 A	210 A ² s	1320 A ² s	200 kA	19.5 W	10	50 g
BS17UY69V71P	B221261	690 V	71 A	240 A ² s	1510 A ² s	200 kA	24 W	10	50 g
BS17UY69V80P	C221262	690 V	80 A	390 A ² s	2450 A ² s	200 kA	25.5 W	10	50 g
BS17UY69V90P	D221263	690 V	90 A	520 A ² s	3250 A ² s	200 kA	27 W	10	50 g
BS17UY69V100P	E221264	690 V	100 A	625 A ² s	3900 A ² s	200 kA	33 W	10	50 g

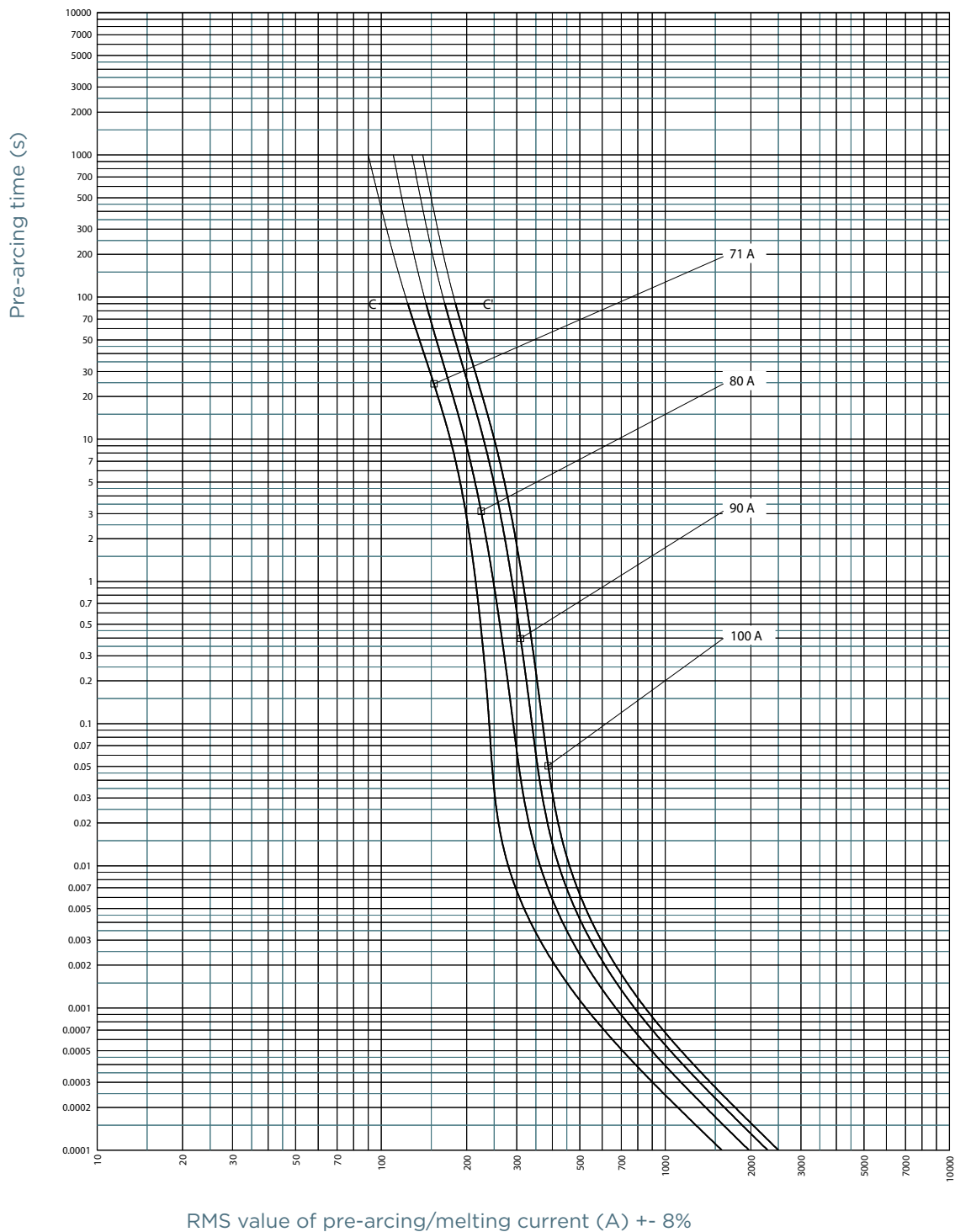
TIME CURRENT CHARACTERISTIC CURVES

URZ - With and Without Trip Indicator



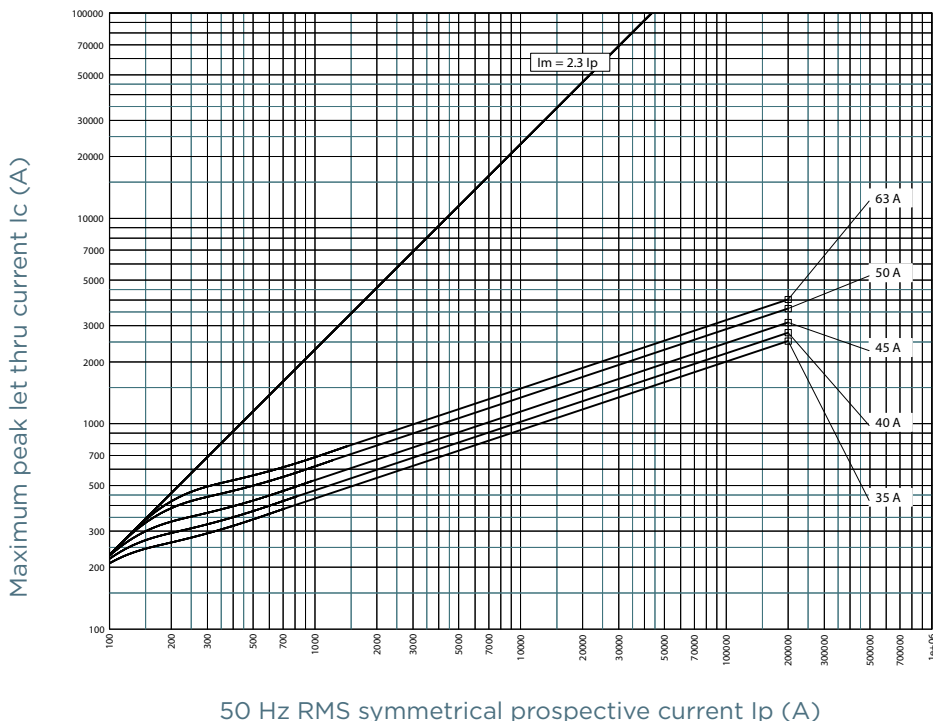
TIME CURRENT CHARACTERISTIC CURVES

URY - With and Without Trip Indicator

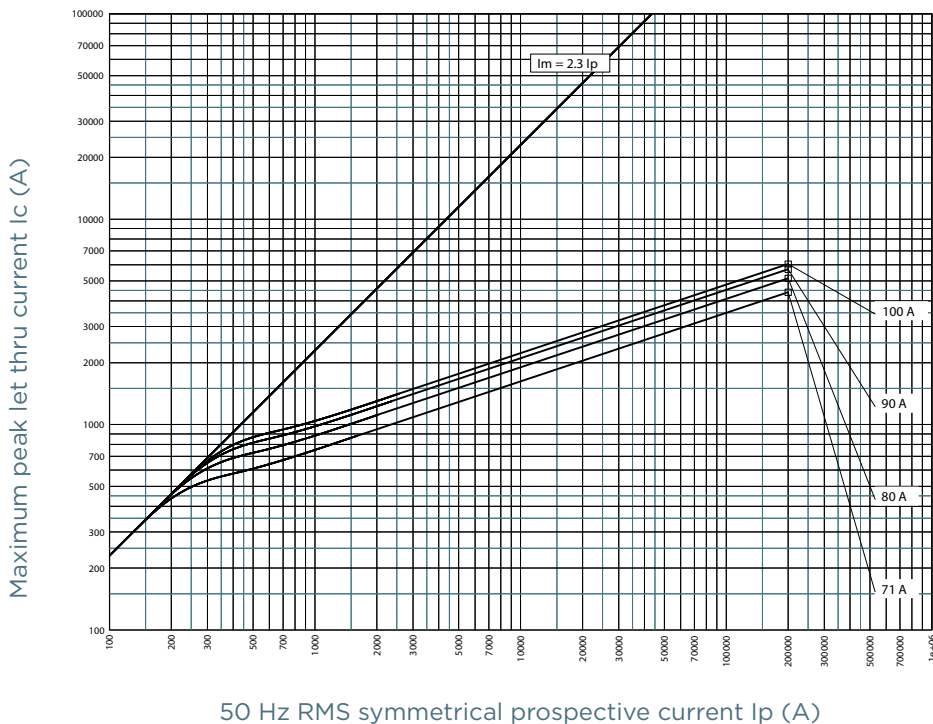


CUT-OFF CURRENT CHARACTERISTIC

URZ - With and Without Trip Indicator

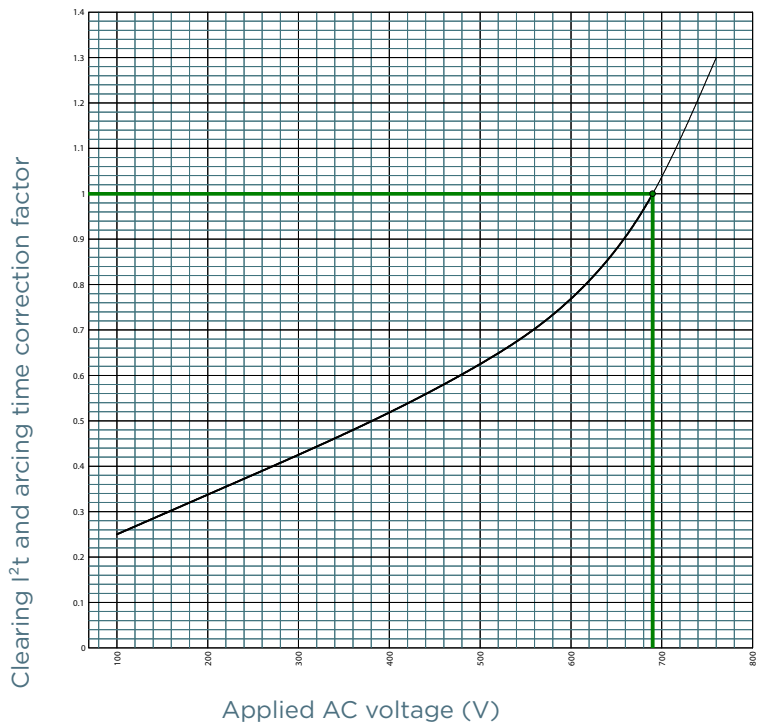


URY - With and Without Trip Indicator



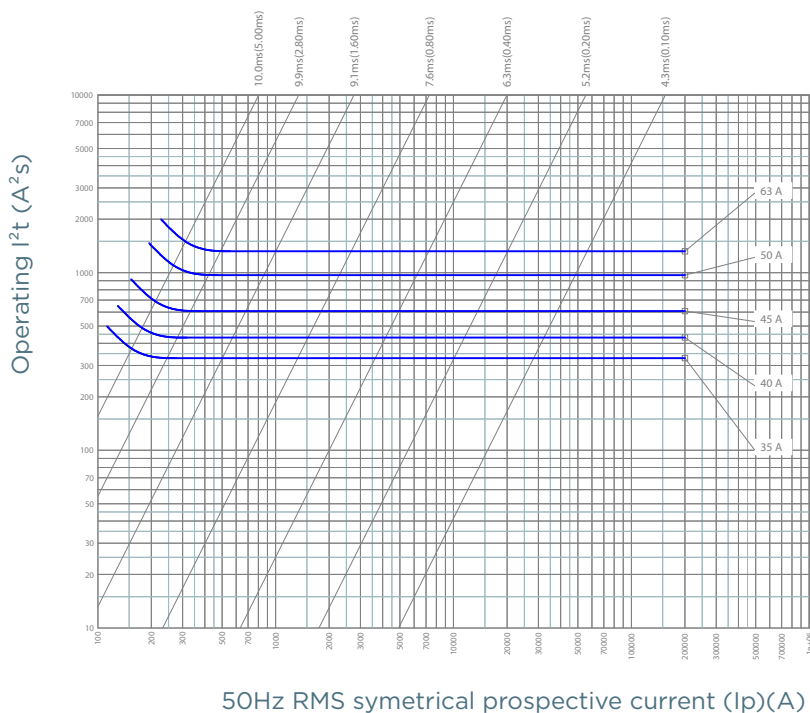
I²T MULTIPLIER COEFFICIENT

URY & URZ - With and Without Trip Indicator



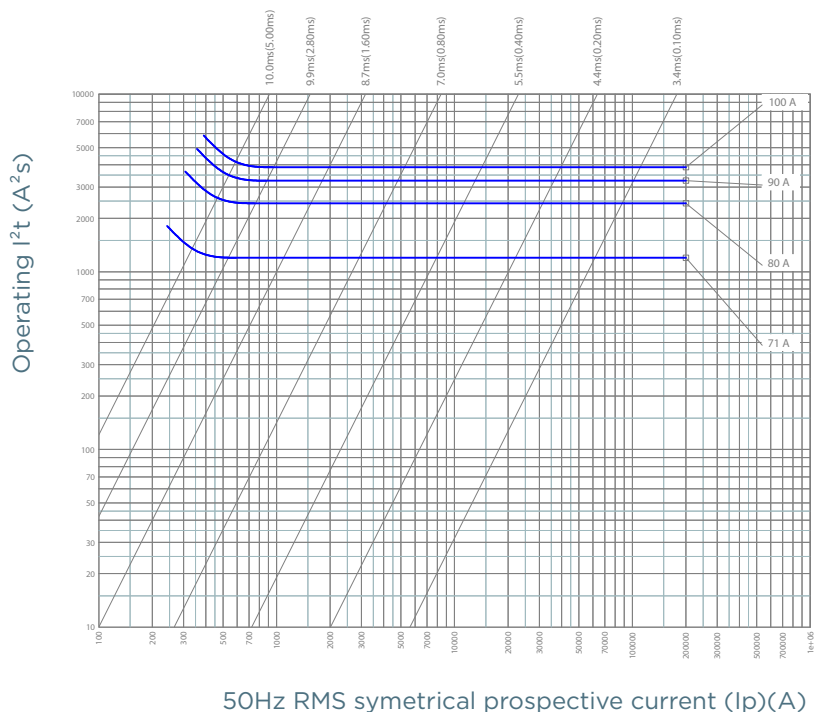
CHARACTERISTICS TOTAL I²T CURVE

URZ - With and Without Trip Indicator



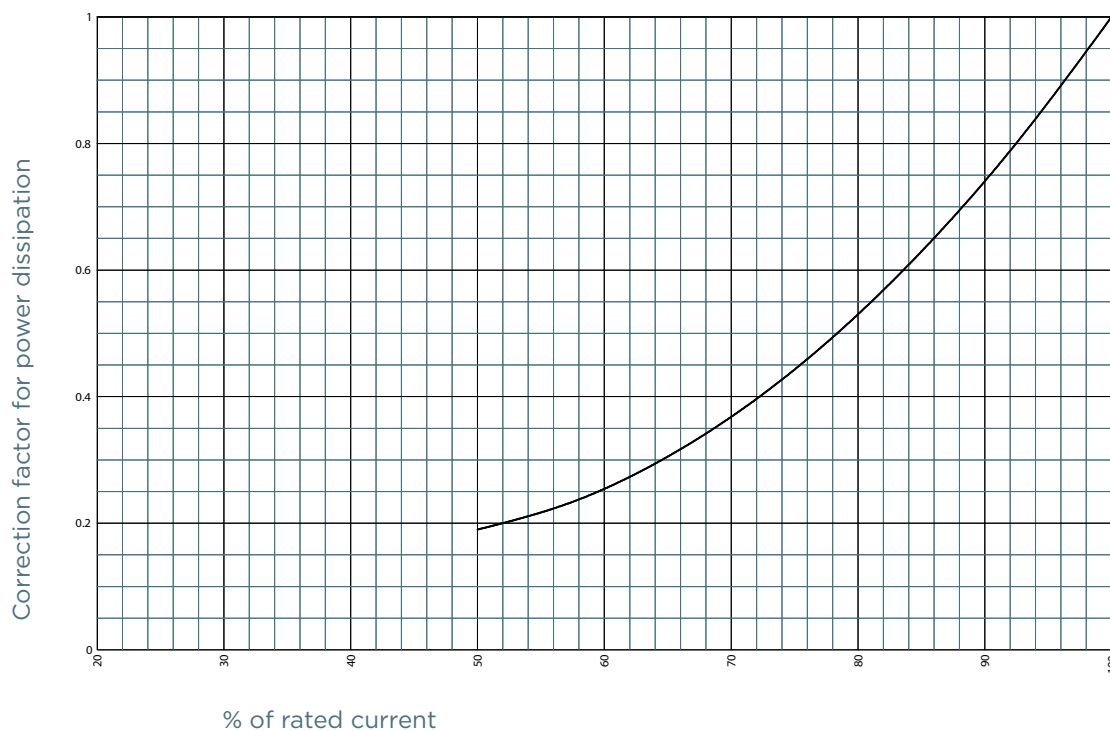
CHARACTERISTICS TOTAL I²T CURVE

URY - With and Without Trip Indicator



POWER DISSIPATION

URY & URZ - With and Without Trip Indicator

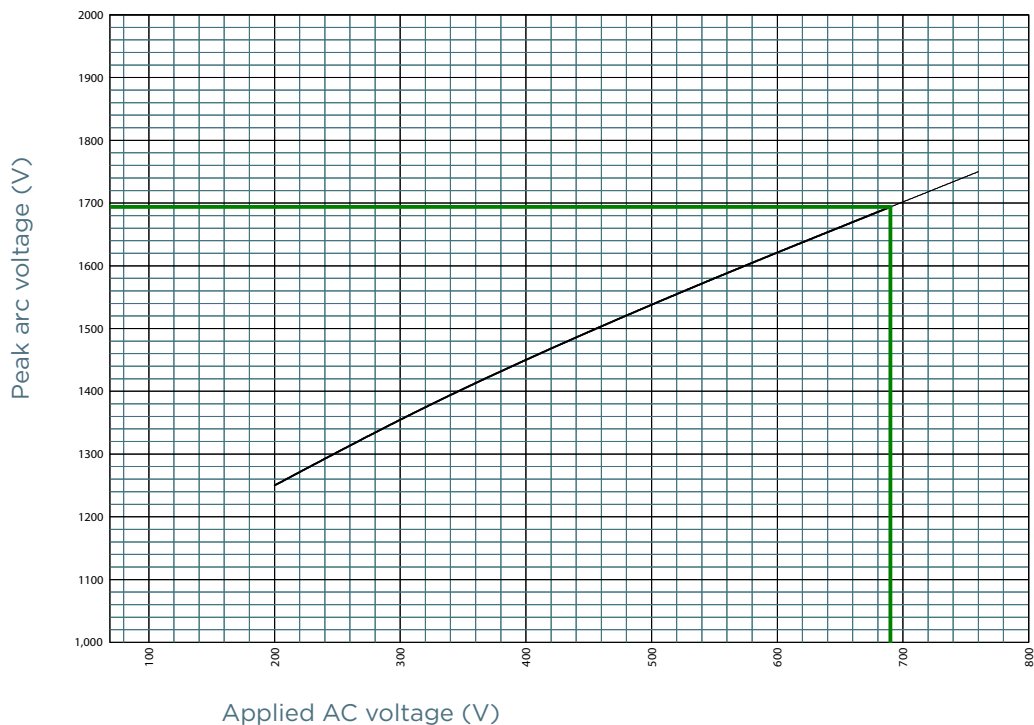


Protistor® BS88-4 17x49 aR URZ/URY

690VAC (IEC)

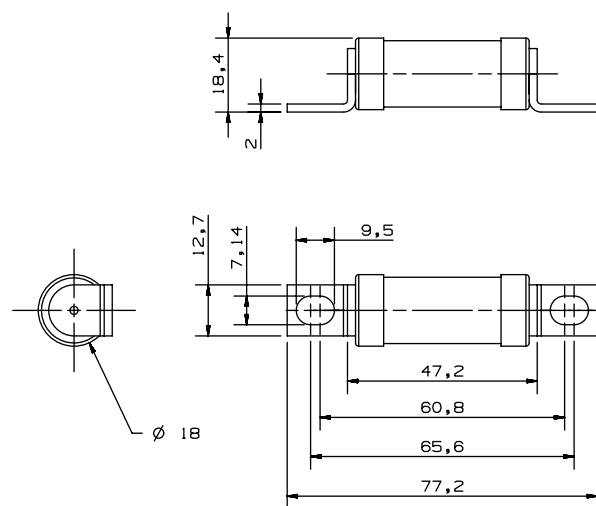
PEAK ARC VOLTAGE

URY & URZ - With and Without Trip Indicator



DIMENSIONS

Without trip indicator

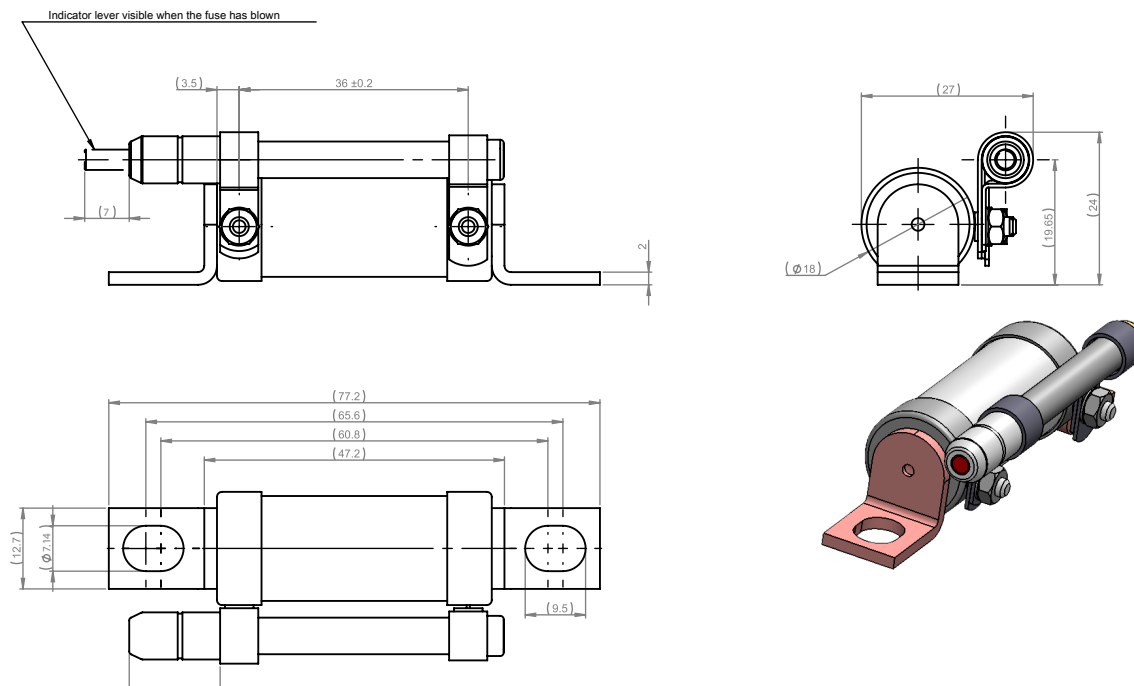


Dimensions in mm

Protistor® BS88-4 17x49 aR URZ/URY 690VAC (IEC)

DIMENSIONS

With seperated trip indicator



Dimensions in mm