

Protistor® size 31 aR

690VAC (IEC) / 700VAC (UL)

SEMICONDUCTOR PROTECTION FUSES

SQUARE BODY HIGH-SPEED FUSE-LINKS AC PROTECTION



The 690/700V Protistor® fuse-links provide maximum flexibility in equipment design and ultimate protection for today's power conversion equipment. These aR ultra-fast acting square body fuse-links are available in different body sizes, each size having multiple worldwide acceptable mounting styles.

They have been engineered to provide state-of-the-art protection for semiconductors: diodes, thyristors and IGBT devices. They are assembled with die-cut elements embedded in solidified sand, which helps control arcing characteristics for a lower I^2t and high interrupting rating level. All contact surfaces are silver plated and all hardware is non-magnetic.

Each fuse-link can be equipped with a low voltage trip-indicator which can operate a field mountable microswitch.

TECHNICAL DATA OVERVIEW

| | |
|----------------------|---------------|
| Voltage AC | 690 VAC |
| Ampere Range (A) | 160 ... 800 A |
| Speed/Characteristic | aR |
| I.R. AC (IEC) | 170 kA |
| Product Size | 31 |

FEATURES & BENEFITS

- Multiple body sizes and terminals or blades combination
- aR Class according to IEC 60269-4 and VDE 636-23
- Very low I^2t for improved semiconductor protection
- Ultra fast acting
- Current limiting
- Superior cycling capability

APPLICATIONS

- Protection of inverters, motor drives, UPS systems and similar 690V or less equipments.

STANDARDS

- IEC 60269.4 Compliance
- UL/CSA Recognized E76491 (For some items)
- CCC GB 1539.4



Protistor® size 31 aR

690VAC (IEC) / 700VAC (UL)

PRODUCT RANGE



PC31UD69V800TF

Size 31 type TTF M8 threaded terminals

| Catalog number | Item number | Rated voltage AC (IEC) | Rated voltage AC (UL) | Rated current I _n | Pre-arcing I ² t | Clearing I ² t at Rated Voltage | Rated breaking capacity AC | Power dissipation at I _n | UL certified | Package | Weight |
|----------------|-------------|------------------------|-----------------------|------------------------------|-----------------------------|--|----------------------------|-------------------------------------|--------------|---------|---------|
| PC31UD69V160TF | M300299 | 690 V | 700 V | 160 A | 1300 A ² s | 7700 A ² s | 200 kA | 35 W | x | 3 | 0.38 kg |
| PC31UD69V200TF | N300001 | 690 V | 700 V | 200 A | 2600 A ² s | 15000 A ² s | 200 kA | 45 W | x | 3 | 0.38 kg |
| PC31UD69V250TF | P300002 | 690 V | 700 V | 250 A | 4700 A ² s | 28000 A ² s | 200 kA | 52 W | x | 3 | 0.38 kg |
| PC31UD69V315TF | Q300003 | 690 V | 700 V | 315 A | 7500 A ² s | 44000 A ² s | 200 kA | 65 W | x | 3 | 0.38 kg |
| PC31UD69V350TF | M300046 | 690 V | 700 V | 350 A | 10300 A ² s | 61000 A ² s | 200 kA | 67 W | x | 3 | 0.38 kg |
| PC31UD69V400TF | R300004 | 690 V | 700 V | 400 A | 19000 A ² s | 110000 A ² s | 200 kA | 68 W | x | 3 | 0.38 kg |
| PC31UD69V450TF | S300005 | 690 V | 700 V | 450 A | 26500 A ² s | 155000 A ² s | 200 kA | 70 W | x | 3 | 0.38 kg |
| PC31UD69V500TF | T300006 | 690 V | 700 V | 500 A | 37000 A ² s | 215000 A ² s | 200 kA | 70 W | x | 3 | 0.38 kg |
| PC31UD69V550TF | V300007 | 690 V | 700 V | 550 A | 52000 A ² s | 310000 A ² s | 200 kA | 70 W | x | 3 | 0.38 kg |
| PC31UD69V630TF | W300008 | 690 V | 700 V | 630 A | 75000 A ² s | 430000 A ² s | 200 kA | 75 W | x | 3 | 0.38 kg |
| PC31UD69V700TF | X300009 | 690 V | 700 V | 700 A | 95000 A ² s | 540000 A ² s | 200 kA | 85 W | x | 3 | 0.38 kg |
| PC31UD69V800TF | Y300401 | 690 V | 700 V | 800 A | 140000 A ² s | 880000 A ² s | 200 kA | 105 W | x | 3 | 0.38 kg |



A070UD31TT1800

Size 31 type TTI 5/16in - 18 unified coarse threaded terminals

| Catalog number | Item number | Rated voltage AC (IEC) | Rated voltage AC (UL) | Rated current I _n | Pre-arcing I ² t | Clearing I ² t at Rated Voltage | Rated breaking capacity AC | Power dissipation at I _n | UL certified | Package | Weight |
|----------------|-------------|------------------------|-----------------------|------------------------------|-----------------------------|--|----------------------------|-------------------------------------|--------------|---------|---------|
| A070UD31TTI200 | A300472 | 690 V | 700 | 200 A | 2600 A ² s | 15000 A ² s | 200 kA | 45 W | x | 3 | 0.39 kg |
| A070UD31TTI250 | B300473 | 690 V | 700 | 250 A | 4700 A ² s | 28000 A ² s | 200 kA | 52 W | x | 3 | 0.39 kg |
| A070UD31TTI315 | C300474 | 690 V | 700 | 315 A | 7500 A ² s | 44000 A ² s | 200 kA | 65 W | x | 3 | 0.39 kg |
| A070UD31TTI350 | D300475 | 690 V | 700 | 350 A | 10300 A ² s | 61000 A ² s | 200 kA | 67 W | x | 3 | 0.39 kg |
| A070UD31TTI400 | E300476 | 690 V | 700 | 400 A | 19000 A ² s | 110000 A ² s | 200 kA | 68 W | x | 3 | 0.39 kg |
| A070UD31TTI450 | F300477 | 690 V | 700 | 450 A | 26500 A ² s | 155000 A ² s | 200 kA | 70 W | x | 3 | 0.39 kg |
| A070UD31TTI500 | G300478 | 690 V | 700 | 500 A | 37000 A ² s | 215000 A ² s | 200 kA | 70 W | x | 3 | 0.39 kg |
| A070UD31TTI550 | H300479 | 690 V | 700 | 550 A | 52000 A ² s | 310000 A ² s | 200 kA | 70 W | x | 3 | 0.39 kg |
| A070UD31TTI630 | J300480 | 690 V | 700 | 630 A | 75000 A ² s | 430000 A ² s | 200 kA | 75 W | x | 3 | 0.39 kg |
| A070UD31TTI700 | K300481 | 690 V | 700 | 700 A | 95000 A ² s | 540000 A ² s | 200 kA | 85 W | x | 3 | 0.39 kg |
| A070UD31TTI800 | L300482 | 690 V | 700 | 800 A | 140000 A ² s | 880000 A ² s | 200 kA | 105 W | x | 3 | 0.39 kg |

Protistor® size 31 aR

690VAC (IEC) / 700VAC (UL)

PRODUCT RANGE



PC31UD69V800A

Size 31 type DIN80 blades

| Catalog number | Item number | Rated voltage AC (IEC) | Rated voltage AC (UL) | Rated current I _n | Pre-arcing I ² t | Clearing I ² t at Rated Voltage | Rated breaking capacity AC | Power dissipation at I _n | UL certified | Package | Weight |
|----------------|-------------|------------------------|-----------------------|------------------------------|-----------------------------|--|----------------------------|-------------------------------------|--------------|---------|---------|
| PC31UD69V160A | M300322 | 690 V | 700 V | 160 A | 1300 A ² s | 7700 A ² s | 200 kA | 35 W | x | 3 | 0.39 kg |
| PC31UD69V200A | Y300010 | 690 V | 700 V | 200 A | 2600 A ² s | 15000 A ² s | 200 kA | 45 W | x | 3 | 0.39 kg |
| PC31UD69V250A | Z300011 | 690 V | 700 V | 250 A | 4700 A ² s | 28000 A ² s | 200 kA | 52 W | x | 3 | 0.39 kg |
| PC31UD69V315A | A300012 | 690 V | 700 V | 315 A | 7500 A ² s | 44000 A ² s | 200 kA | 65 W | x | 3 | 0.39 kg |
| PC31UD69V350A | Q300049 | 690 V | 700 V | 350 A | 10300 A ² s | 61000 A ² s | 200 kA | 67 W | x | 3 | 0.39 kg |
| PC31UD69V400A | B300013 | 690 V | 700 V | 400 A | 19000 A ² s | 110000 A ² s | 200 kA | 68 W | x | 3 | 0.39 kg |
| PC31UD69V450A | C300014 | 690 V | 700 V | 450 A | 26500 A ² s | 155000 A ² s | 200 kA | 70 W | x | 3 | 0.39 kg |
| PC31UD69V500A | D300015 | 690 V | 700 V | 500 A | 37000 A ² s | 215000 A ² s | 200 kA | 72 W | x | 3 | 0.39 kg |
| PC31UD69V550A | E300016 | 690 V | 700 V | 550 A | 52000 A ² s | 310000 A ² s | 200 kA | 75 W | x | 3 | 0.39 kg |
| PC31UD69V630A | F300017 | 690 V | 700 V | 630 A | 75000 A ² s | 430000 A ² s | 200 kA | 85 W | x | 3 | 0.39 kg |
| PC31UD69V700A | G300018 | 690 V | 700 V | 700 A | 95000 A ² s | 540000 A ² s | 200 kA | 95 W | x | 3 | 0.39 kg |
| PC31UD69V800A | D300406 | 690 V | 700 V | 800 A | 140000 A ² s | 880000 A ² s | 200 kA | 120 W | x | 3 | 0.39 kg |



PC31UD69V800D1A

Size 31 type DIN110 blades

| Catalog number | Item number | Rated voltage AC (IEC) | Rated voltage AC (UL) | Rated current I _n | Pre-arcing I ² t | Clearing I ² t at Rated Voltage | Rated breaking capacity AC | Power dissipation at I _n | UL certified | Package | Weight |
|-----------------|-------------|------------------------|-----------------------|------------------------------|-----------------------------|--|----------------------------|-------------------------------------|--------------|---------|---------|
| PC31UD69V200D1A | H300019 | 690 V | 700 V | 200 A | 2600 A ² s | 15000 A ² s | 200 kA | 45 W | x | 3 | 0.41 kg |
| PC31UD69V250D1A | J300020 | 690 V | 700 V | 250 A | 4700 A ² s | 28000 A ² s | 200 kA | 52 W | x | 3 | 0.41 kg |
| PC31UD69V315D1A | K300021 | 690 V | 700 V | 315 A | 7500 A ² s | 44000 A ² s | 200 kA | 65 W | x | 3 | 0.41 kg |
| PC31UD69V350D1A | P300048 | 690 V | 700 V | 350 A | 10300 A ² s | 61000 A ² s | 200 kA | 67 W | x | 3 | 0.41 kg |
| PC31UD69V400D1A | L300022 | 690 V | 700 V | 400 A | 19000 A ² s | 110000 A ² s | 200 kA | 68 W | x | 3 | 0.41 kg |
| PC31UD69V450D1A | M300023 | 690 V | 700 V | 450 A | 26500 A ² s | 155000 A ² s | 200 kA | 70 W | x | 3 | 0.41 kg |
| PC31UD69V500D1A | N300024 | 690 V | 700 V | 500 A | 37000 A ² s | 215000 A ² s | 200 kA | 72 W | x | 3 | 0.41 kg |
| PC31UD69V550D1A | P300025 | 690 V | 700 V | 550 A | 52000 A ² s | 310000 A ² s | 200 kA | 75 W | x | 3 | 0.41 kg |
| PC31UD69V630D1A | Q300026 | 690 V | 700 V | 630 A | 75000 A ² s | 430000 A ² s | 200 kA | 85 W | x | 3 | 0.41 kg |
| PC31UD69V700D1A | R300027 | 690 V | 700 V | 700 A | 95000 A ² s | 540000 A ² s | 200 kA | 95 W | x | 3 | 0.41 kg |
| PC31UD69V800D1A | H300709 | 690 V | 700 V | 800 A | 140000 A ² s | 880000 A ² s | 200 kA | 120 W | x | 3 | 0.41 kg |

Protistor® size 31 aR

690VAC (IEC) / 700VAC (UL)

PRODUCT RANGE



A070UD31KI250

Size 31 type KI short slotted blades

| Catalog number | Item number | Rated voltage AC (IEC) | Rated voltage AC (UL) | Rated current I _n | Pre-arcing I ² t | Clearing I ² t at Rated Voltage | Rated breaking capacity AC | Power dissipation at I _n | UL certified | Package | Weight |
|----------------|-------------|------------------------|-----------------------|------------------------------|-----------------------------|--|----------------------------|-------------------------------------|--------------|---------|---------|
| A070UD31KI160 | F300385 | 690 V | 700 V | 160 A | 1300 A ² s | 7700 A ² s | 200 kA | 35 W | x | 3 | 0.40 kg |
| A070UD31KI200 | S300028 | 690 V | 700 V | 200 A | 2600 A ² s | 15000 A ² s | 200 kA | 45 W | x | 3 | 0.40 kg |
| A070UD31KI250 | T300029 | 690 V | 700 V | 250 A | 4700 A ² s | 28000 A ² s | 200 kA | 52 W | x | 3 | 0.40 kg |
| A070UD31KI315 | V300030 | 690 V | 700 V | 315 A | 7500 A ² s | 44000 A ² s | 200 kA | 65 W | x | 3 | 0.40 kg |
| A070UD31KI350 | R300050 | 690 V | 700 V | 350 A | 10300 A ² s | 61000 A ² s | 200 kA | 67 W | x | 3 | 0.40 kg |
| A070UD31KI400 | W300031 | 690 V | 700 V | 400 A | 19000 A ² s | 110000 A ² s | 200 kA | 68 W | x | 3 | 0.40 kg |
| A070UD31KI450 | X300032 | 690 V | 700 V | 450 A | 26500 A ² s | 155000 A ² s | 200 kA | 70 W | x | 3 | 0.40 kg |
| A070UD31KI500 | Y300033 | 690 V | 700 V | 500 A | 37000 A ² s | 215000 A ² s | 200 kA | 72 W | x | 3 | 0.40 kg |
| A070UD31KI550 | Z300034 | 690 V | 700 V | 550 A | 52000 A ² s | 310000 A ² s | 200 kA | 75 W | x | 3 | 0.40 kg |
| A070UD31KI630 | A300035 | 690 V | 700 V | 630 A | 75000 A ² s | 430000 A ² s | 200 kA | 85 W | x | 3 | 0.40 kg |
| A070UD31KI700 | B300036 | 690 V | 700 V | 700 A | 95000 A ² s | 540000 A ² s | 200 kA | 95 W | x | 3 | 0.40 kg |
| A070UD31KI800 | A301070 | 690 V | 700 V | 800 A | 140000 A ² s | 880000 A ² s | 200 kA | 120 W | x | 3 | 0.40 kg |



A070UD31LI800

Size 31 type LI long slotted blades

| Catalog number | Item number | Rated voltage AC (IEC) | Rated voltage AC (UL) | Rated current I _n | Pre-arcing I ² t | Clearing I ² t at Rated Voltage | Rated breaking capacity AC | Power dissipation at I _n | UL certified | Package | Weight |
|----------------|-------------|------------------------|-----------------------|------------------------------|-----------------------------|--|----------------------------|-------------------------------------|--------------|---------|---------|
| A070UD31LI200 | V300697 | 690 V | 700 V | 200 A | 2600 A ² s | 15000 A ² s | 200 kA | 45 W | x | 3 | 0.42 kg |
| A070UD31LI250 | W300698 | 690 V | 700 V | 250 A | 4700 A ² s | 28000 A ² s | 200 kA | 52 W | x | 3 | 0.42 kg |
| A070UD31LI315 | X300699 | 690 V | 700 V | 315 A | 7500 A ² s | 44000 A ² s | 200 kA | 65 W | x | 3 | 0.42 kg |
| A070UD31LI350 | Y300700 | 690 V | 700 V | 350 A | 10300 A ² s | 61000 A ² s | 200 kA | 67 W | x | 3 | 0.42 kg |
| A070UD31LI400 | Z300701 | 690 V | 700 V | 400 A | 19000 A ² s | 110000 A ² s | 200 kA | 68 W | x | 3 | 0.42 kg |
| A070UD31LI450 | A300702 | 690 V | 700 V | 450 A | 26500 A ² s | 155000 A ² s | 200 kA | 70 W | x | 3 | 0.42 kg |
| A070UD31LI500 | B300703 | 690 V | 700 V | 500 A | 37000 A ² s | 215000 A ² s | 200 kA | 72 W | x | 3 | 0.42 kg |
| A070UD31LI550 | C300704 | 690 V | 700 V | 550 A | 52000 A ² s | 310000 A ² s | 200 kA | 75 W | x | 3 | 0.42 kg |
| A070UD31LI630 | D300705 | 690 V | 700 V | 630 A | 75000 A ² s | 430000 A ² s | 200 kA | 85 W | x | 3 | 0.42 kg |
| A070UD31LI700 | E300706 | 690 V | 700 V | 700 A | 95000 A ² s | 540000 A ² s | 200 kA | 95 W | x | 3 | 0.42 kg |
| A070UD31LI800 | F300707 | 690 V | 700 V | 800 A | 140000 A ² s | 880000 A ² s | 200 kA | 120 W | x | 3 | 0.42 kg |

Protistor® size 31 aR

690VAC (IEC) / 700VAC (UL)

PRODUCT RANGE



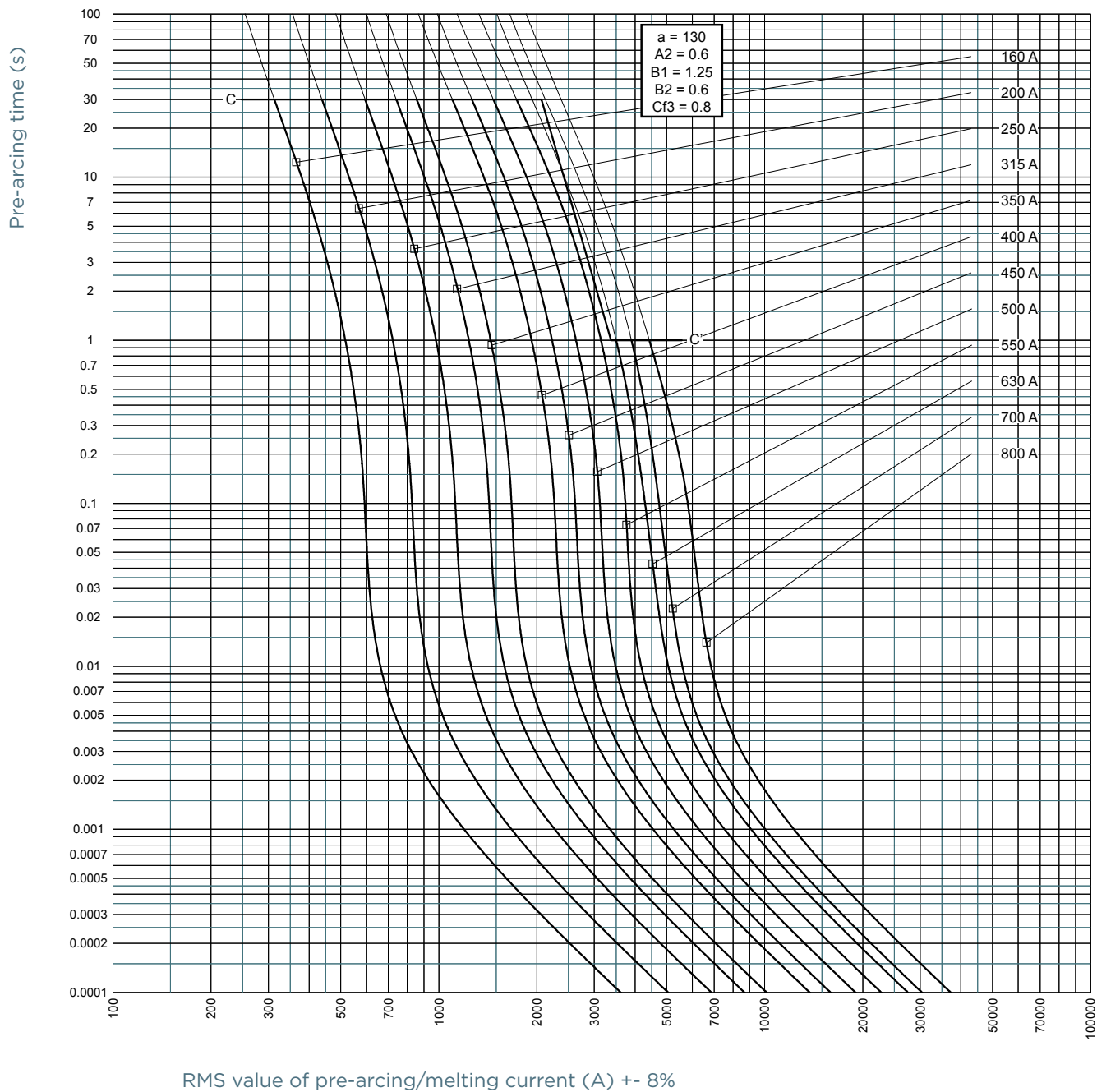
PC31UD69V700EF

Size 31 for type EF blade bolted connections

| Catalog number | Item number | Rated voltage AC (IEC) | Rated voltage AC (UL) | Rated current I _n | Pre-arcing I ² t | Clearing I ² t at Rated Voltage | Rated breaking capacity AC | Power dissipation at I _n | UL certified | Package | Weight |
|----------------|-------------|------------------------|-----------------------|------------------------------|-----------------------------|--|----------------------------|-------------------------------------|--------------|---------|---------|
| PC31UD69V160EF | B301922 | 690 V | 700 V | 160 A | 1300 A ² s | 7700 A ² s | 200 kA | 35 W | x | 3 | 0.40 kg |
| PC31UD69V200EF | C300037 | 690 V | 700 V | 200 A | 2600 A ² s | 15000 A ² s | 200 kA | 45 W | x | 3 | 0.40 kg |
| PC31UD69V250EF | D300038 | 690 V | 700 V | 250 A | 4700 A ² s | 28000 A ² s | 200 kA | 52 W | x | 3 | 0.40 kg |
| PC31UD69V315EF | E300039 | 690 V | 700 V | 315 A | 7500 A ² s | 44000 A ² s | 200 kA | 65 W | x | 3 | 0.40 kg |
| PC31UD69V350EF | N300047 | 690 V | 700 V | 350 A | 10300 A ² s | 61000 A ² s | 200 kA | 67 W | x | 3 | 0.40 kg |
| PC31UD69V400EF | F300040 | 690 V | 700 V | 400 A | 19000 A ² s | 110000 A ² s | 200 kA | 68 W | x | 3 | 0.40 kg |
| PC31UD69V450EF | G300041 | 690 V | 700 V | 450 A | 26500 A ² s | 155000 A ² s | 200 kA | 70 W | x | 3 | 0.40 kg |
| PC31UD69V500EF | H300042 | 690 V | 700 V | 500 A | 37000 A ² s | 215000 A ² s | 200 kA | 72 W | x | 3 | 0.40 kg |
| PC31UD69V550EF | J300043 | 690 V | 700 V | 550 A | 52000 A ² s | 310000 A ² s | 200 kA | 75 W | x | 3 | 0.40 kg |
| PC31UD69V630EF | K300044 | 690 V | 700 V | 630 A | 75000 A ² s | 430000 A ² s | 200 kA | 85 W | x | 3 | 0.40 kg |
| PC31UD69V700EF | L300045 | 690 V | 700 V | 700 A | 95000 A ² s | 540000 A ² s | 200 kA | 95 W | x | 3 | 0.40 kg |

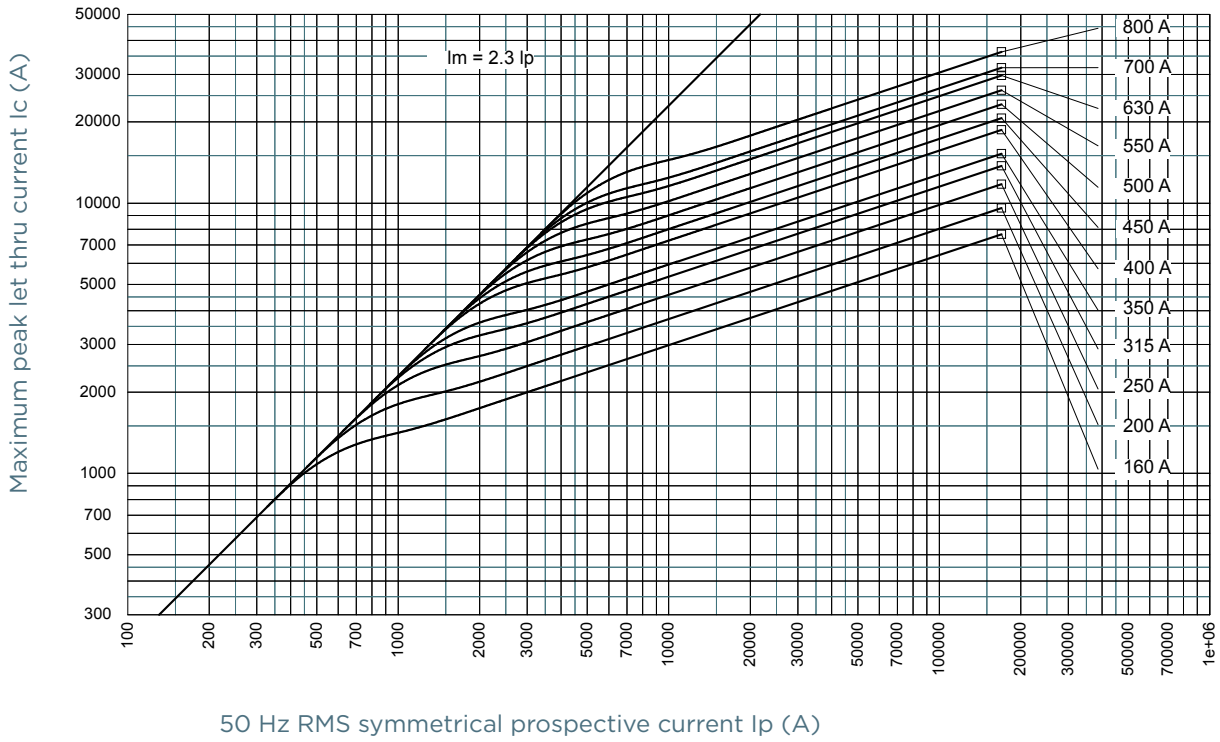
Mersen products have been designed by Mersen for a range of specific applications to be operated depending on particular specification and conditions. Mersen makes no representation or/and warranty, and waives any liability, either express or implied for products' reliability and life time or technical performance in case Mersen has not been provided with customer's specifications or if the products are not purchased directly from Mersen or its distributors and/or agents.

TIME CURRENT CHARACTERISTIC CURVES

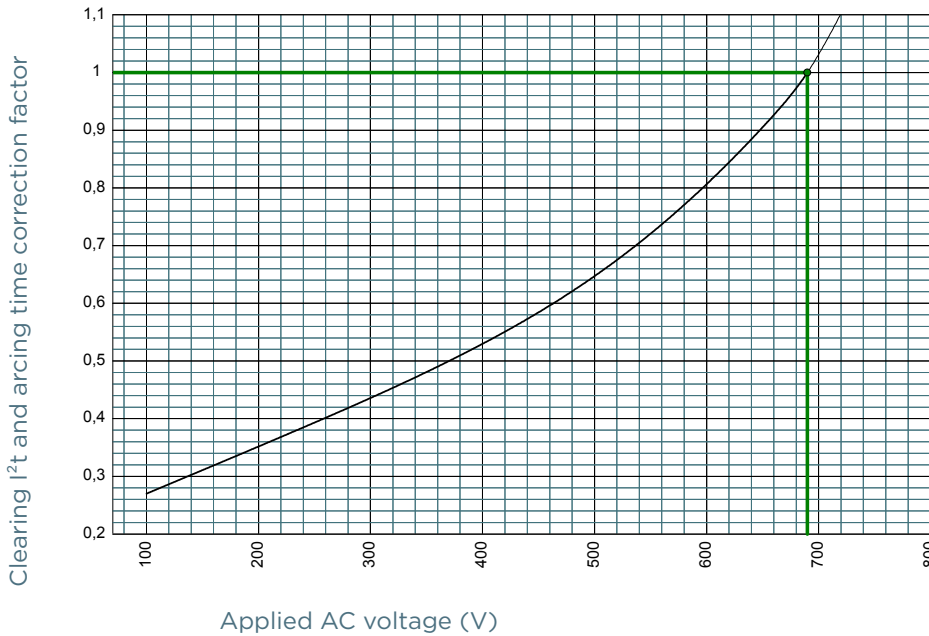


Mersen products have been designed by Mersen for a range of specific applications to be operated depending on particular specification and conditions. Mersen makes no representation or/and warranty, and waives any liability, either express or implied for products' reliability and life time or technical performance in case Mersen has not been provided with customer's specifications or if the products are not purchased directly from Mersen or its distributors and/or agents.

CUT-OFF CURRENT CHARACTERISTIC

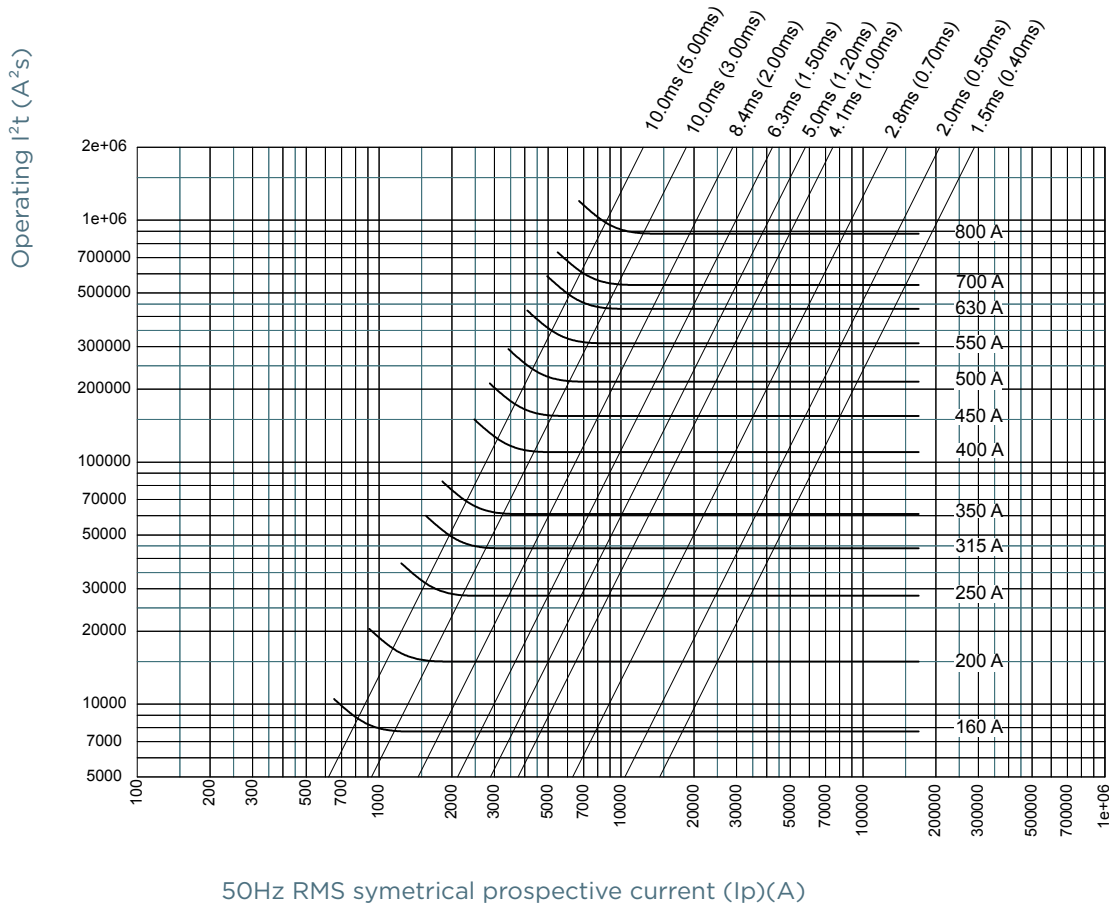


I²T MULTIPLIER COEFFICIENT

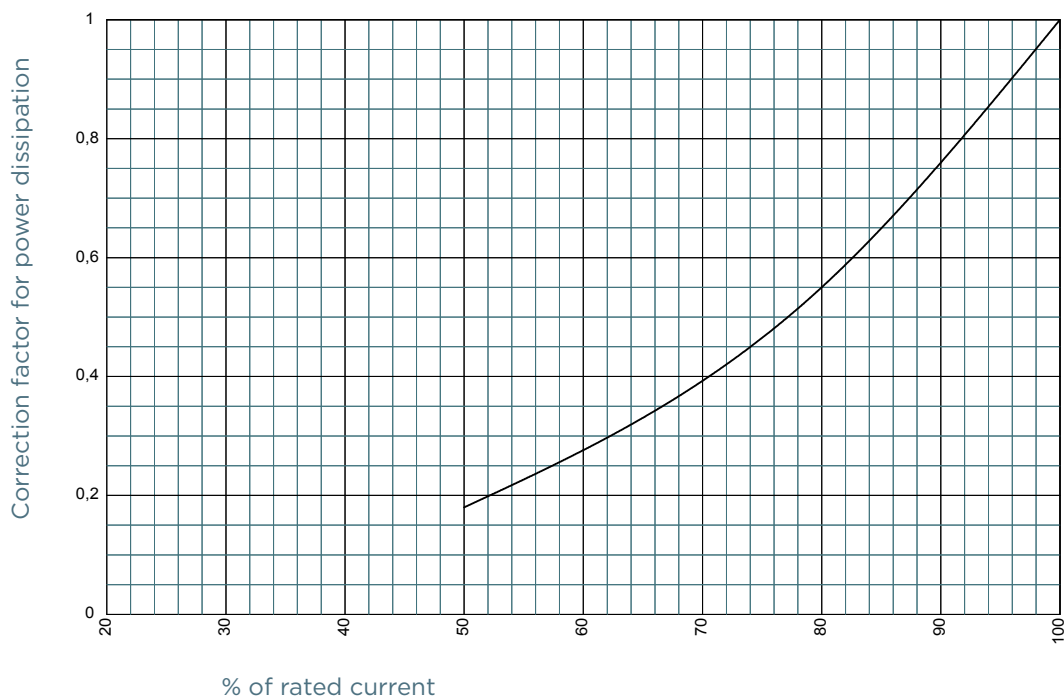


Mersen products have been designed by Mersen for a range of specific applications to be operated depending on particular specification and conditions. Mersen makes no representation or/and warranty, and waives any liability, either express or implied for products' reliability and life time or technical performance in case Mersen has not been provided with customer's specifications or if the products are not purchased directly from Mersen or its distributors and/or agents.

CHARACTERISTICS TOTAL I²T CURVE



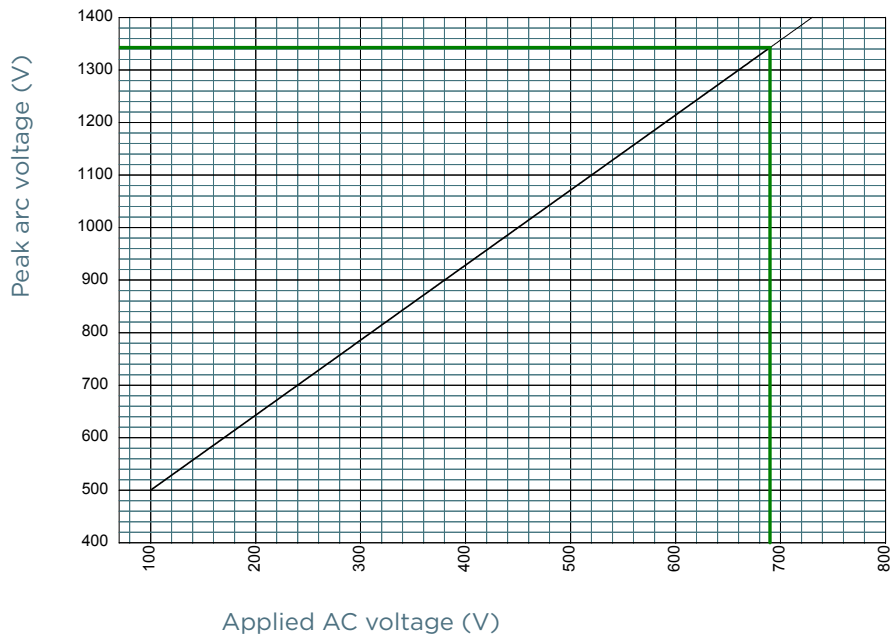
POWER DISSIPATION



Protistor® size 31 aR

690VAC (IEC) / 700VAC (UL)

PEAK ARC VOLTAGE



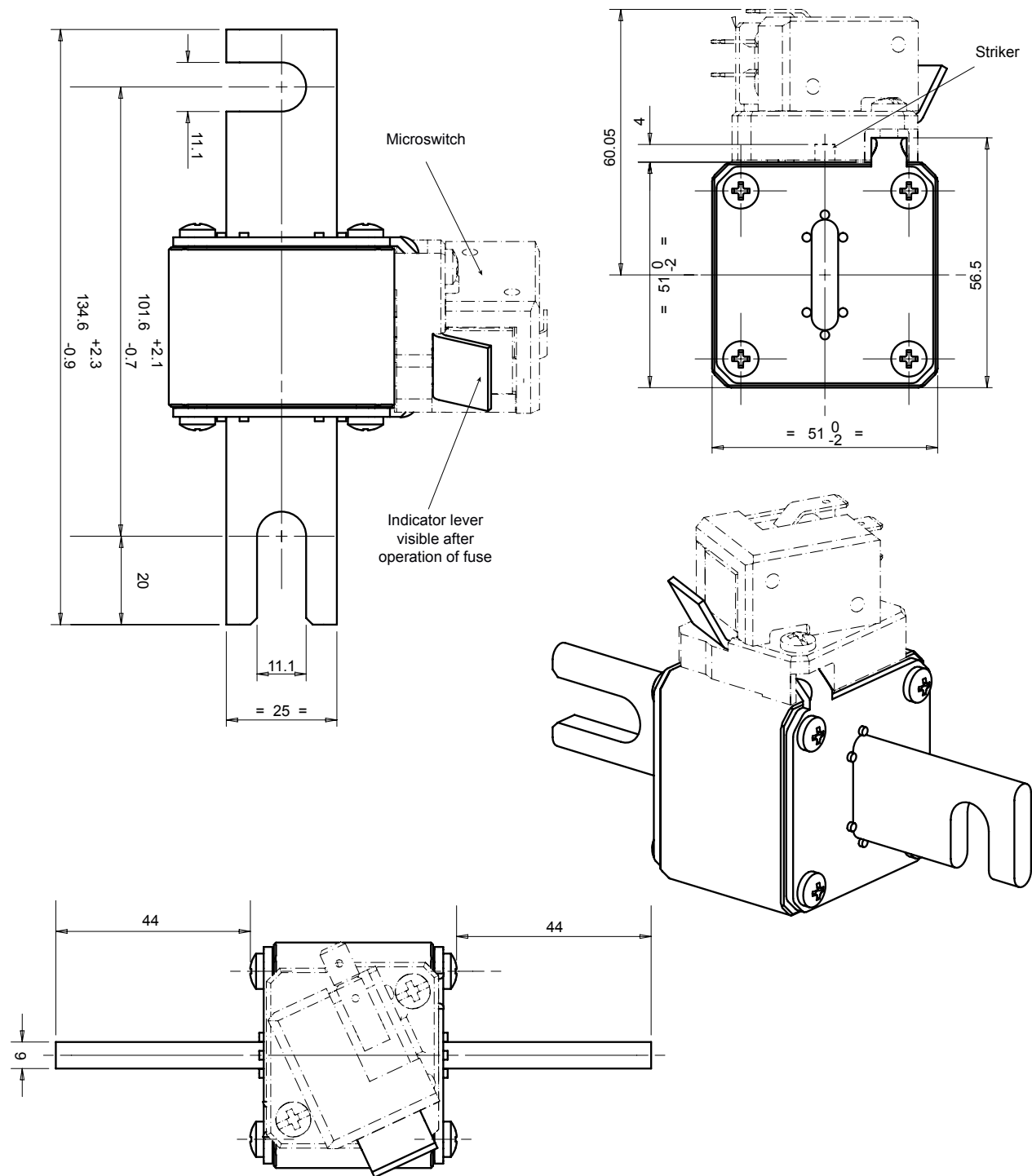
Mersen products have been designed by Mersen for a range of specific applications to be operated depending on particular specification and conditions. Mersen makes no representation or/and warranty, and waives any liability, either express or implied for products' reliability and life time or technical performance in case Mersen has not been provided with customer's specifications or if the products are not purchased directly from Mersen or its distributors and/or agents.

Protistor® size 31 aR

690VAC (IEC) / 700VAC (UL)

DIMENSIONS

Size 31 type DIN 110



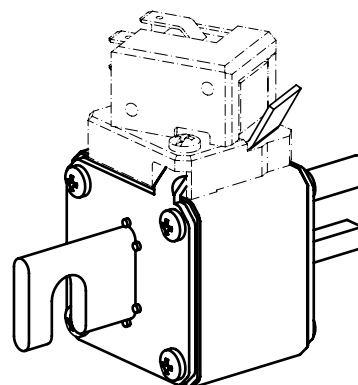
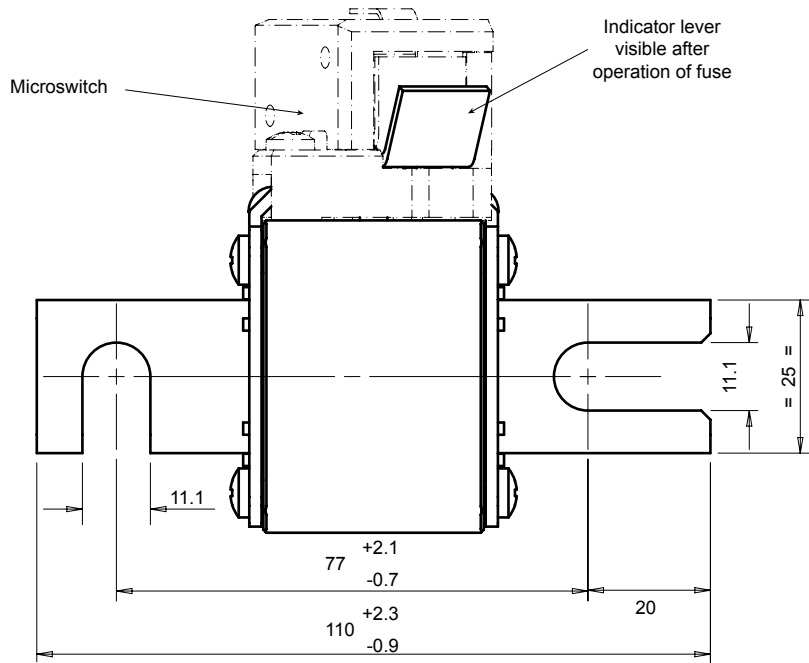
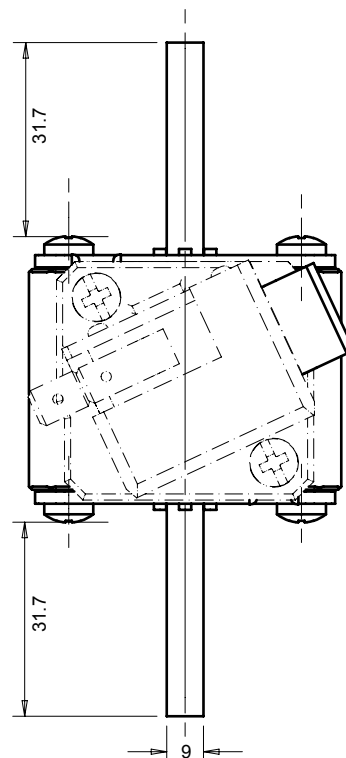
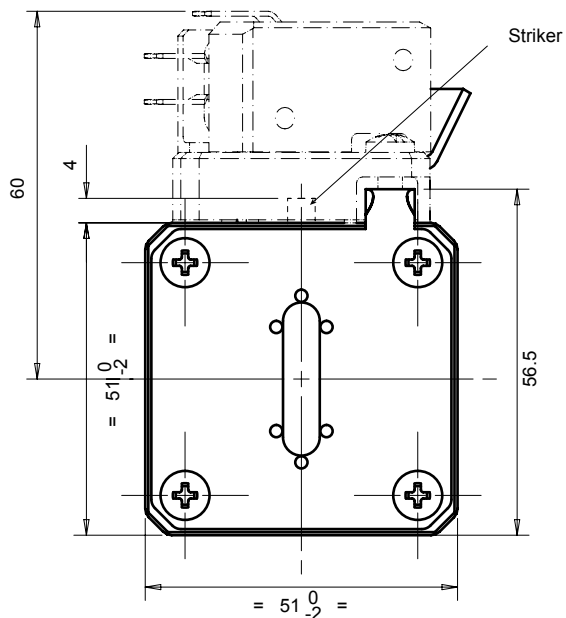
Dimensions in mm

Protistor® size 31 aR

690VAC (IEC) / 700VAC (UL)

DIMENSIONS

Size 31 type DIN 80



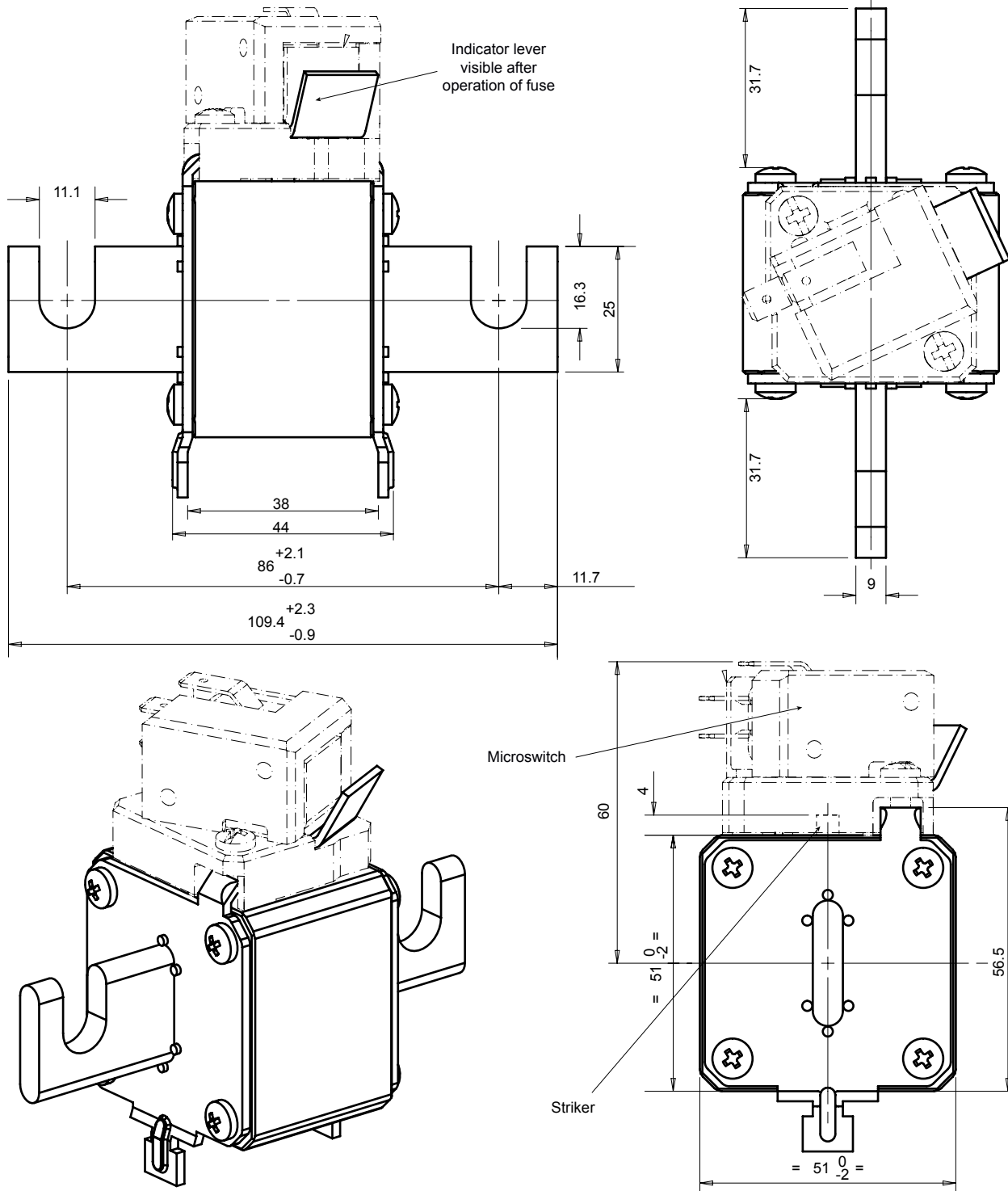
Dimensions in mm

Protistor® size 31 aR

690VAC (IEC) / 700VAC (UL)

DIMENSIONS

Size 31 type EF



Dimensions in mm

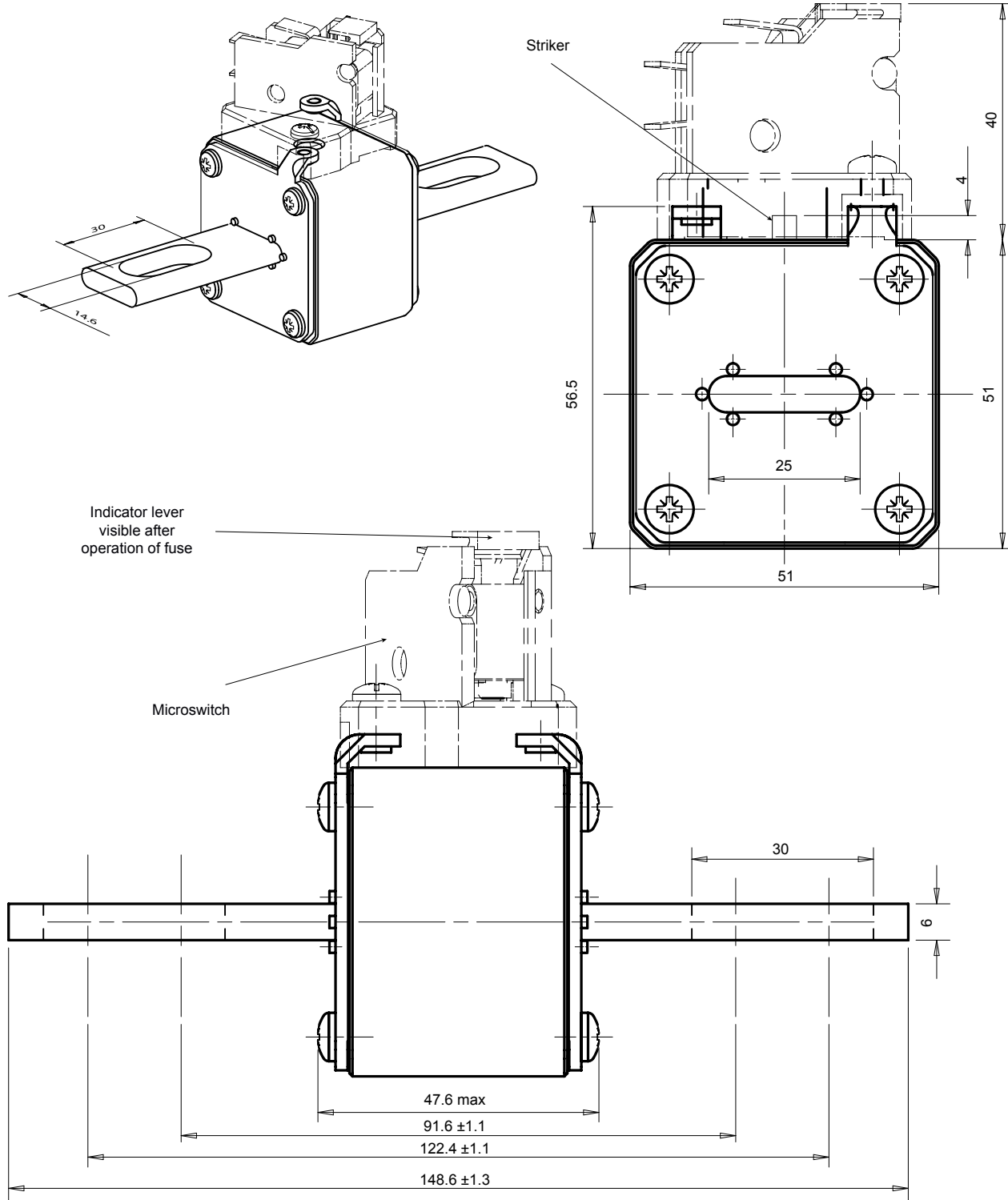
Mersen products have been designed by Mersen for a range of specific applications to be operated depending on particular specification and conditions. Mersen makes no representation or/and warranty, and waives any liability, either express or implied, for products' reliability and life time or technical performance in case Mersen has not been provided with customer's specifications or if the products are not purchased directly from Mersen or its distributors and/or agents.

Protistor® size 31 aR

690VAC (IEC) / 700VAC (UL)

DIMENSIONS

Size 31 type LI



Dimensions in mm

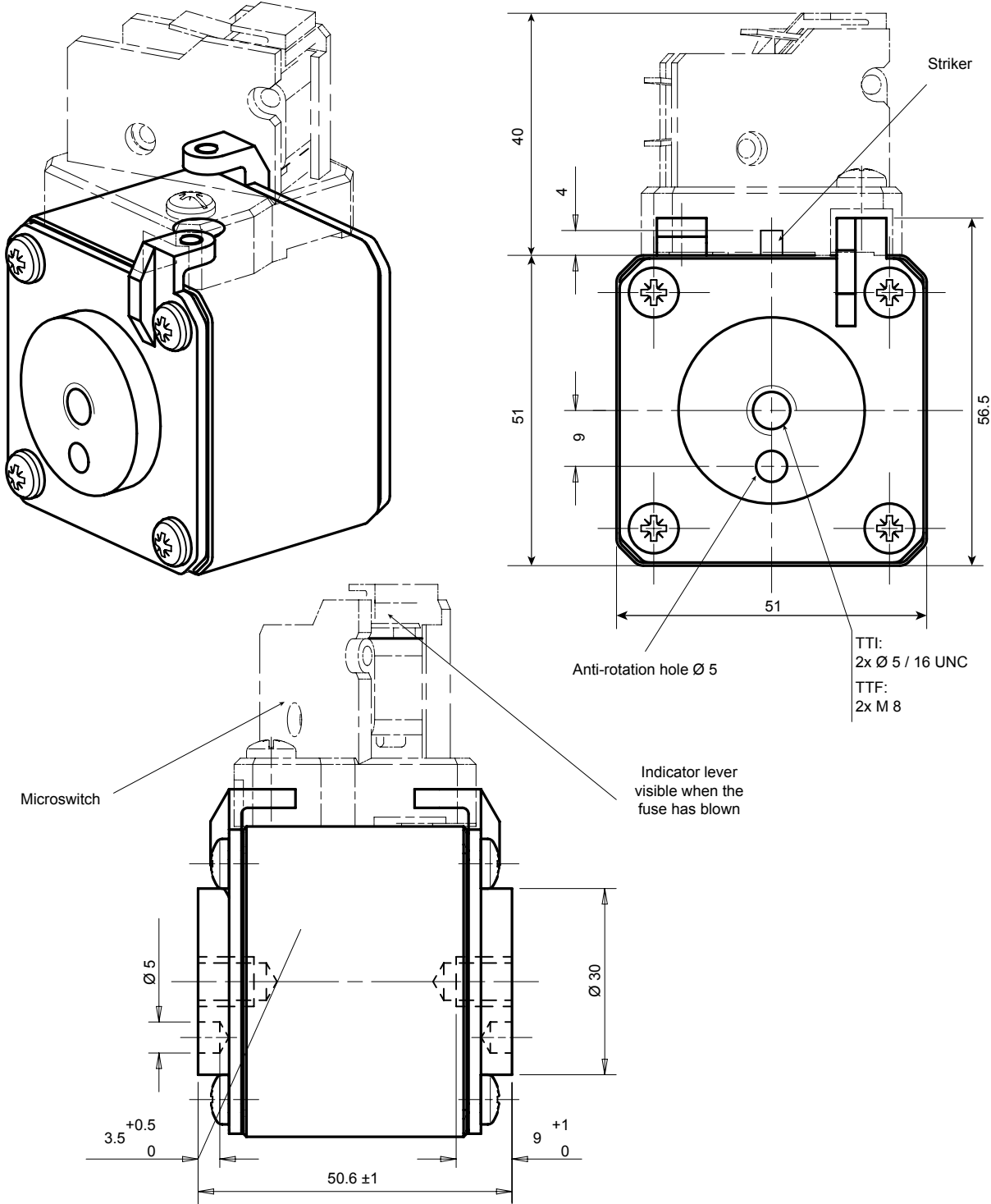
Mersen products have been designed by Mersen for a range of specific applications to be operated depending on particular specification and conditions. Mersen makes no representation or/and warranty, and waives any liability, either express or implied for products' reliability and life time or technical performance in case Mersen has not been provided with customer's specifications or if the products are not purchased directly from Mersen or its distributors and/or agents.

Protistor® size 31 aR

690VAC (IEC) / 700VAC (UL)

DIMENSIONS

Size 31 type TTF & TTI



Dimensions in mm

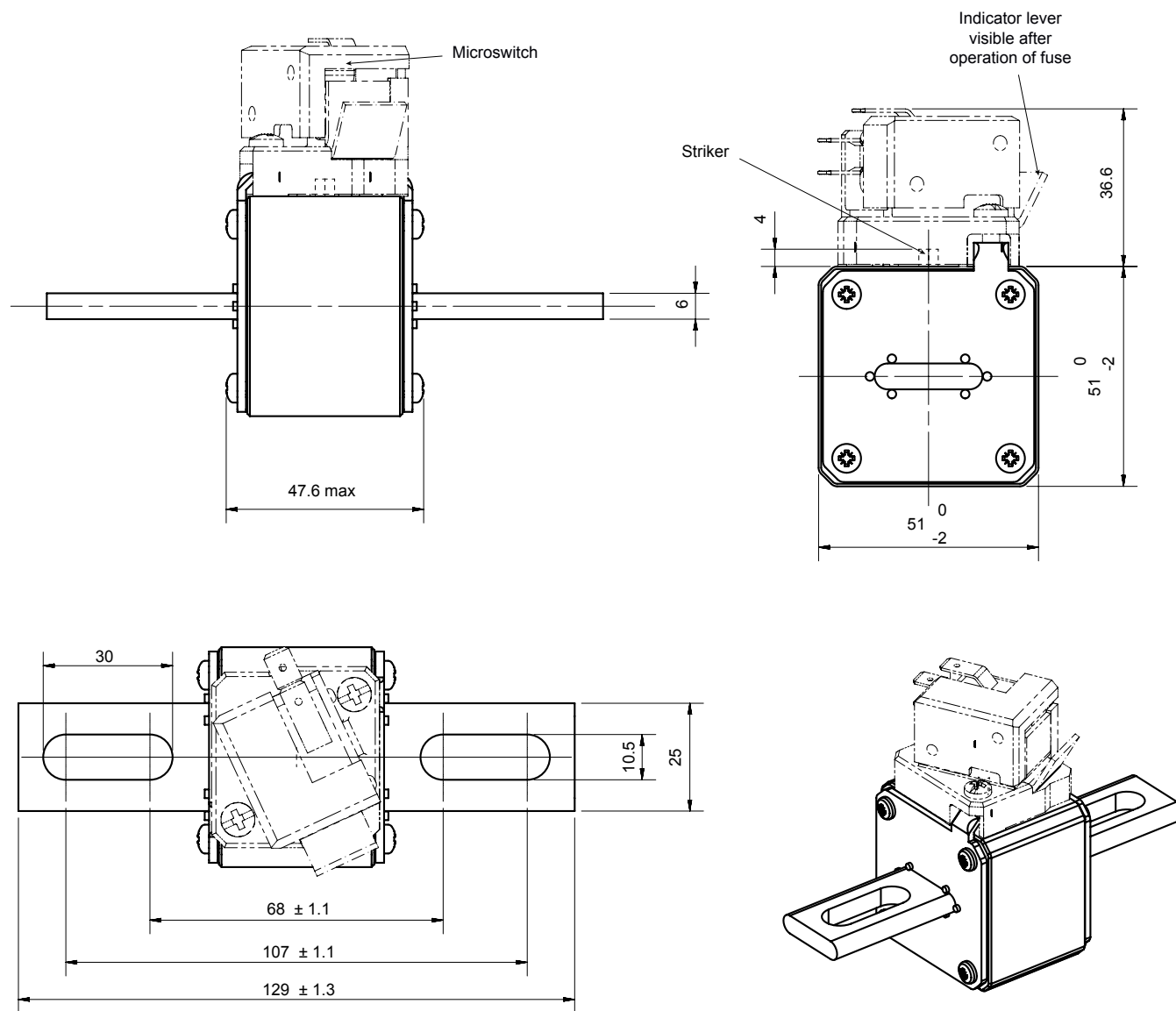
Mersen products have been designed by Mersen for a range of specific applications to be operated depending on particular specification and conditions. Mersen makes no representation or/and warranty, and waives any liability, either express or implied for products' reliability and life time or technical performance in case Mersen has not been provided with customer's specifications or if the products are not purchased directly from Mersen or its distributors and/or agents.

Protistor® size 31 aR

690VAC (IEC) / 700VAC (UL)

DIMENSIONS

Size 31 type KI



Dimensions in mm

APPENDIX

Index

| Catalog number | Item number | Description 1 | Page |
|----------------|-------------|----------------------|------|
| PC31UD69V160TF | M300299 | 6,9 URD 31 TT F 0160 | 2 |
| PC31UD69V200TF | N300001 | 6,9 URD 31 TT F 0200 | 2 |
| PC31UD69V250TF | P300002 | 6,9 URD 31 TT F 0250 | 2 |
| PC31UD69V315TF | Q300003 | 6,9 URD 31 TT F 0315 | 2 |
| PC31UD69V350TF | M300046 | 6,9 URD 31 TT F 0350 | 2 |
| PC31UD69V400TF | R300004 | 6,9 URD 31 TT F 0400 | 2 |
| PC31UD69V450TF | S300005 | 6,9 URD 31 TT F 0450 | 2 |
| PC31UD69V500TF | T300006 | 6,9 URD 31 TT F 0500 | 2 |

Protistor® size 31 aR

690VAC (IEC) / 700VAC (UL)

APPENDIX

Index

| Catalog number | Item number | Description 1 | Page |
|-----------------|-------------|-----------------------|------|
| PC31UD69V550TF | V300007 | 6,9 URD 31 TT F 0550 | 2 |
| PC31UD69V630TF | W300008 | 6,9 URD 31 TT F 0630 | 2 |
| PC31UD69V700TF | X300009 | 6,9 URD 31 TT F 0700 | 2 |
| PC31UD69V800TF | Y300401 | 6,9 URD 31 TT F 0800 | 2 |
| A070UD31TTI200 | A300472 | A 070 URD 31 TTI 0200 | 2 |
| A070UD31TTI250 | B300473 | A 070 URD 31 TTI 0250 | 2 |
| A070UD31TTI315 | C300474 | A 070 URD 31 TTI 0315 | 2 |
| A070UD31TTI350 | D300475 | A 070 URD 31 TTI 0350 | 2 |
| A070UD31TTI400 | E300476 | A 070 URD 31 TTI 0400 | 2 |
| A070UD31TTI450 | F300477 | A 070 URD 31 TTI 0450 | 2 |
| A070UD31TTI500 | G300478 | A 070 URD 31 TTI 0500 | 2 |
| A070UD31TTI550 | H300479 | A 070 URD 31 TTI 0550 | 2 |
| A070UD31TTI630 | J300480 | A 070 URD 31 TTI 0630 | 2 |
| A070UD31TTI700 | K300481 | A 070 URD 31 TTI 0700 | 2 |
| A070UD31TTI800 | L300482 | A 070 URD 31 TTI 0800 | 2 |
| PC31UD69V160A | M300322 | 6,9 URD 31 D08 A 0160 | 3 |
| PC31UD69V200A | Y300010 | 6,9 URD 31 D08 A 0200 | 3 |
| PC31UD69V250A | Z300011 | 6,9 URD 31 D08 A 0250 | 3 |
| PC31UD69V315A | A300012 | 6,9 URD 31 D08 A 0315 | 3 |
| PC31UD69V350A | Q300049 | 6,9 URD 31 D08 A 0350 | 3 |
| PC31UD69V400A | B300013 | 6,9 URD 31 D08 A 0400 | 3 |
| PC31UD69V450A | C300014 | 6,9 URD 31 D08 A 0450 | 3 |
| PC31UD69V500A | D300015 | 6,9 URD 31 D08 A 0500 | 3 |
| PC31UD69V550A | E300016 | 6,9 URD 31 D08 A 0550 | 3 |
| PC31UD69V630A | F300017 | 6,9 URD 31 D08 A 0630 | 3 |
| PC31UD69V700A | G300018 | 6,9 URD 31 D08 A 0700 | 3 |
| PC31UD69V800A | D300406 | 6,9 URD 31 D08 A 0800 | 3 |
| PC31UD69V200D1A | H300019 | 6,9 URD 31 D11 A 0200 | 3 |
| PC31UD69V250D1A | J300020 | 6,9 URD 31 D11 A 0250 | 3 |
| PC31UD69V315D1A | K300021 | 6,9 URD 31 D11 A 0315 | 3 |
| PC31UD69V350D1A | P300048 | 6,9 URD 31 D11 A 0350 | 3 |
| PC31UD69V400D1A | L300022 | 6,9 URD 31 D11 A 0400 | 3 |
| PC31UD69V450D1A | M300023 | 6,9 URD 31 D11 A 0450 | 3 |
| PC31UD69V500D1A | N300024 | 6,9 URD 31 D11 A 0500 | 3 |
| PC31UD69V550D1A | P300025 | 6,9 URD 31 D11 A 0550 | 3 |
| PC31UD69V630D1A | Q300026 | 6,9 URD 31 D11 A 0630 | 3 |
| PC31UD69V700D1A | R300027 | 6,9 URD 31 D11 A 0700 | 3 |
| PC31UD69V800D1A | H300709 | 6,9 URD 31 D11 A 0800 | 3 |
| A070UD31KI160 | F300385 | A 070 URD 31 KI 0160 | 4 |
| A070UD31KI200 | S300028 | A 070 URD 31 KI 0200 | 4 |
| A070UD31KI250 | T300029 | A 070 URD 31 KI 0250 | 4 |
| A070UD31KI315 | V300030 | A 070 URD 31 KI 0315 | 4 |
| A070UD31KI350 | R300050 | A 070 URD 31 KI 0350 | 4 |
| A070UD31KI400 | W300031 | A 070 URD 31 KI 0400 | 4 |
| A070UD31KI450 | X300032 | A 070 URD 31 KI 0450 | 4 |
| A070UD31KI500 | Y300033 | A 070 URD 31 KI 0500 | 4 |
| A070UD31KI550 | Z300034 | A 070 URD 31 KI 0550 | 4 |
| A070UD31KI630 | A300035 | A 070 URD 31 KI 0630 | 4 |
| A070UD31KI700 | B300036 | A 070 URD 31 KI 0700 | 4 |
| A070UD31KI800 | A301070 | A 070 URD 31 KI 0800 | 4 |
| A070UD31LI200 | V300697 | A 070 URD 31 LI 0200 | 4 |
| A070UD31LI250 | W300698 | A 070 URD 31 LI 0250 | 4 |
| A070UD31LI315 | X300699 | A 070 URD 31 LI 0315 | 4 |
| A070UD31LI350 | Y300700 | A 070 URD 31 LI 0350 | 4 |
| A070UD31LI400 | Z300701 | A 070 URD 31 LI 0400 | 4 |

Mersen products have been designed by Mersen for a range of specific applications to be operated depending on particular specification and conditions. Mersen makes no representation or/and warranty, and waives any liability, either express or implied for products' reliability and life time or technical performance in case Mersen has not been provided with customer's specifications or if the products are not purchased directly from Mersen or its distributors and/or agents.

Protistor® size 31 aR

690VAC (IEC) / 700VAC (UL)

Index

| Catalog number | Item number | Description 1 | Page |
|----------------|-------------|----------------------|------|
| A070UD31LI450 | A300702 | A 070 URD 31 LI 0450 | 4 |
| A070UD31LI500 | B300703 | A 070 URD 31 LI 0500 | 4 |
| A070UD31LI550 | C300704 | A 070 URD 31 LI 0550 | 4 |
| A070UD31LI630 | D300705 | A 070 URD 31 LI 0630 | 4 |
| A070UD31LI700 | E300706 | A 070 URD 31 LI 0700 | 4 |
| A070UD31LI800 | F300707 | A 070 URD 31 LI 0800 | 4 |
| PC31UD69V160EF | B301922 | 6,9 URD 31 EF 0160 | 5 |
| PC31UD69V200EF | C300037 | 6,9 URD 31 EF 0200 | 5 |
| PC31UD69V250EF | D300038 | 6,9 URD 31 EF 0250 | 5 |
| PC31UD69V315EF | E300039 | 6,9 URD 31 EF 0315 | 5 |
| PC31UD69V350EF | N300047 | 6,9 URD 31 EF 0350 | 5 |
| PC31UD69V400EF | F300040 | 6,9 URD 31 EF 0400 | 5 |
| PC31UD69V450EF | G300041 | 6,9 URD 31 EF 0450 | 5 |
| PC31UD69V500EF | H300042 | 6,9 URD 31 EF 0500 | 5 |
| PC31UD69V550EF | J300043 | 6,9 URD 31 EF 0550 | 5 |
| PC31UD69V630EF | K300044 | 6,9 URD 31 EF 0630 | 5 |
| PC31UD69V700EF | L300045 | 6,9 URD 31 EF 0700 | 5 |

Mersen products have been designed by Mersen for a range of specific applications to be operated depending on particular specification and conditions. Mersen makes no representation or/and warranty, and waives any liability, either express or implied for products' reliability and life time or technical performance in case Mersen has not been provided with customer's specifications or if the products are not purchased directly from Mersen or its distributors and/or agents.