

Protistor® size 32 aR

450 to 690VAC (IEC) / 700VAC (UL)

SEMICONDUCTOR PROTECTION FUSES

SQUARE BODY HIGH-SPEED FUSE-LINKS AC PROTECTION



The 690/700V Protistor® fuse-links provide maximum flexibility in equipment design and ultimate protection for today's power conversion equipment. These aR ultra-fast acting square body fuse-links are available in different body sizes, each size having multiple worldwide acceptable mounting styles.

The Protistor® have been engineered to provide state-of-the-art protection for semiconductors: diodes, thyristors and IGBT devices. Fuses are assembled with die-cut elements embedded in solidified sand, which helps control arcing characteristics for a lower I^2t and high interrupting rating level. All contact surfaces are silver plated and all hardware is non-magnetic.

Each fuse-link can be equipped with a low voltage trip-indicator which can operate a field mountable microswitch.

TECHNICAL DATA OVERVIEW

Voltage Range AC	450 ... 690 VAC
Ampere Range (A)	315 ... 1800 A
Speed/Characteristic	aR
I.R. AC	110 ... 200 kA
Product Size	32

FEATURES & BENEFITS

- Multiple body sizes and terminals or blades combination
- aR Class according to IEC 60269-4 and VDE 636-23
- Very low I^2t for improved semiconductor protection
- Ultra fast acting
- Current limiting
- Superior cycling capability

APPLICATIONS

- Protection of inverters, motor drives, UPS systems and similar 690V or less equipments.

STANDARDS

- IEC 60269-4 Compliance
- UL/CSA Recognized E76491 (For some items)
- CCC GB 13539.4



Protistor® size 32 aR

450 to 690VAC (IEC) / 700VAC (UL)

PRODUCT RANGE



PC32UD69V800TF

Size 32 type TTF M10 threaded terminals

Catalog number	Item number	Rated voltage AC (IEC)	Rated voltage AC (UL)	Rated current I _n	Pre-arcing I ² t	Clearing I ² t at Rated Voltage	Rated breaking capacity AC	Power dissipation at I _n	UL certified	Package	Weight
Standard Terminal											
PC32UD69V315TF	M302162	690 V	700 V	315 A	5.2 kA ² s	31.8 kA ² s	200 kA	71 W	x	3	0.55 kg
PC32UD69V350TF	N302163	690 V	700 V	350 A	8.9 kA ² s	53.7 kA ² s	200 kA	71 W	x	3	0.55 kg
PC32UD69V400TF	H300065	690 V	700 V	400 A	15 kA ² s	90 kA ² s	200 kA	72 W	x	3	0.55 kg
PC32UD69V450TF	J300066	690 V	700 V	450 A	22 kA ² s	130 kA ² s	200 kA	77 W	x	3	0.55 kg
PC32UD69V500TF	K300067	690 V	700 V	500 A	28 kA ² s	160 kA ² s	200 kA	85 W	x	3	0.55 kg
PC32UD69V550TF	L300068	690 V	700 V	550 A	37 kA ² s	215 kA ² s	200 kA	90 W	x	3	0.55 kg
PC32UD69V630TF	M300069	690 V	700 V	630 A	54 kA ² s	310 kA ² s	200 kA	95 W	x	3	0.55 kg
PC32UD69V700TF	N300070	690 V	700 V	700 A	76 kA ² s	440 kA ² s	200 kA	100 W	x	3	0.55 kg
PC32UD69V800TF	P300071	690 V	700 V	800 A	115 kA ² s	660 kA ² s	200 kA	110 W	x	3	0.55 kg
Reinforced Terminal											
PC32UD69V900TF	Q300072	690 V	700 V	900 A	165 kA ² s	990 kA ² s	200 kA	110 W	x	3	0.55 kg
PC32UD69V1000TF	S300074	690 V	700 V	1000 A	230 kA ² s	1380 kA ² s	200 kA	115 W	x	3	0.55 kg
PC32UD60V1100TF	M300759	600 V	650 V	1100 A	270 kA ² s	1450 kA ² s	200 kA	140 W	x	3	0.55 kg
PC32UD55V1250TF	P301060	550 V	600 V	1250 A	410 kA ² s	1950 kA ² s	200 kA	150 W	x	3	0.55 kg
PC32UD50V1400TF	Q301061	500 V	550 V	1400 A	555 kA ² s	2300 kA ² s	200 kA	160 W	x	3	0.55 kg
PC32UD50V1600TF	H300893	500 V	550 V	1600 A	870 kA ² s	3600 kA ² s	200 kA	165 W	x	3	0.55 kg
PC32UD45V1800TF	R301062	450 V	500 V	1800 A	1050 kA ² s	3700 kA ² s	200 kA	195 W	x	3	0.55 kg



A070UD32TT1800

Size 32 type TTI 3/8in - 16 unified coarse threaded terminals

Catalog number	Item number	Rated voltage AC (IEC)	Rated voltage AC (UL)	Rated current I _n	Pre-arcing I ² t	Clearing I ² t at Rated Voltage	Rated breaking capacity AC	Power dissipation at I _n	UL certified	Package	Weight
Standard Terminal											
A070UD32TT1400	Q300463	690 V	700 V	400 A	15 kA ² s	90 kA ² s	200 kA	72 W	x	3	0.60 kg
A070UD32TT1450	N300461	690 V	700 V	450 A	22 kA ² s	130 kA ² s	200 kA	77 W	x	3	0.60 kg
A070UD32TT1500	P300462	690 V	700 V	500 A	28 kA ² s	160 kA ² s	200 kA	85 W	x	3	0.60 kg
A070UD32TT1550	R300464	690 V	700 V	550 A	37 kA ² s	215 kA ² s	200 kA	90 W	x	3	0.60 kg
A070UD32TT1630	S300465	690 V	700 V	630 A	54 kA ² s	310 kA ² s	200 kA	95 W	x	3	0.60 kg
A070UD32TT1700	T300466	690 V	700 V	700 A	76 kA ² s	440 kA ² s	200 kA	100 W	x	3	0.60 kg
A070UD32TT1800	V300467	690 V	700 V	800 A	115 kA ² s	660 kA ² s	200 kA	110 W	x	3	0.60 kg
Reinforced Terminal											
A070UD32TT1900	W300468	690 V	700 V	900 A	165 kA ² s	990 kA ² s	200 kA	110 W	x	3	0.60 kg
A070UD32TT1000	X300469	690 V	700 V	1000 A	230 kA ² s	1380 kA ² s	200 kA	115 W	x	3	0.60 kg
A065UD32TT1100	M301081	600 V	650 V	1100 A	270 kA ² s	1450 kA ² s	200 kA	140 W	x	3	0.60 kg
A060UD32TT11250	N301082	550 V	600 V	1250 A	410 kA ² s	1950 kA ² s	200 kA	150 W	x	3	0.60 kg
A055UD32TT11400	P301083	500 V	550 V	1400 A	555 kA ² s	2300 kA ² s	200 kA	160 W	x	3	0.60 kg
A055UD32TT11600	Q301084	500 V	550 V	1600 A	870 kA ² s	3600 kA ² s	200 kA	165 W	x	3	0.60 kg
A050UD32TT11800	R301085	450 V	500 V	1800 A	1050 kA ² s	3700 kA ² s	200 kA	195 W	x	3	0.60 kg

Protistor® size 32 aR

450 to 690VAC (IEC) / 700VAC (UL)

PRODUCT RANGE



PC32UD69V900A

Size 32 type DIN80 blades

Catalog number	Item number	Rated voltage AC (IEC)	Rated voltage AC (UL)	Rated current I _n	Pre-arcing I ² t	Clearing I ² t at Rated Voltage	Rated breaking capacity AC	Power dissipation at I _n	Cable termination	UL certified	Package	Weight
PC32UD69V315A	H302158	690 V	700 V	315 A	5.2 kA ² s	31.8 kA ² s	200 kA	71 W	-	x	3	0.53 kg
PC32UD69V350A	J302159	690 V	700 V	350 A	8.9 kA ² s	53.7 kA ² s	200 kA	74 W	-	x	3	0.53 kg
PC32UD69V400A	E300177	690 V	700 V	400 A	15 kA ² s	90 kA ² s	200 kA	75 W	-	x	3	0.53 kg
PC32UD69V450A	F300178	690 V	700 V	450 A	22 kA ² s	130 kA ² s	200 kA	80 W	-	x	3	0.53 kg
PC32UD69V500A	G300179	690 V	700 V	500 A	28 kA ² s	160 kA ² s	200 kA	90 W	-	x	3	0.53 kg
PC32UD69V550A	H300180	690 V	700 V	550 A	37 kA ² s	215 kA ² s	200 kA	95 W	-	x	3	0.53 kg
PC32UD69V630A	J300181	690 V	700 V	630 A	54 kA ² s	310 kA ² s	200 kA	105 W	-	x	3	0.53 kg
PC32UD69V700A	K300182	690 V	700 V	700 A	76 kA ² s	440 kA ² s	200 kA	110 W	-	x	3	0.53 kg
PC32UD69V800A	L300183	690 V	700 V	800 A	115 kA ² s	660 kA ² s	200 kA	120 W	-	x	3	0.53 kg
PC32UD69V900A	M300184	690 V	700 V	900 A	170 kA ² s	990 kA ² s	200 kA	125 W	-	x	3	0.53 kg
PC32UD69V1000A	N300185	690 V	700 V	1000 A	240 kA ² s	1380 kA ² s	200 kA	135 W	-	x	3	0.53 kg
PC32UD60V1100A	W302101	600 V	650 V	1100 A	270 kA ² s	1450 kA ² s	200 kA	165 W	-	x	3	0.53 kg
PC32UD55V1250A	G300409	550 V	600 V	1250 A	410 kA ² s	1950 kA ² s	200 kA	180 W	-	x	3	0.53 kg



PC32UD69V900D1A

Size 32 type DIN110 blades

Catalog number	Item number	Rated voltage AC (IEC)	Rated voltage AC (UL)	Rated current I _n	Pre-arcing I ² t	Clearing I ² t at Rated Voltage	Rated breaking capacity AC	Power dissipation at I _n	UL certified	Package	Weight
PC32UD69V315D1A	K302160	690 V	700 V	315 A	5.2 kA ² s	31.8 kA ² s	200 kA	71 W	x	3	0.56 kg
PC32UD69V350D1A	L302161	690 V	700 V	350 A	8.9 kA ² s	53.7 kA ² s	200 kA	74 W	x	3	0.56 kg
PC32UD69V400D1A	P300186	690 V	700 V	400 A	15 kA ² s	90 kA ² s	200 kA	75 W	x	3	0.56 kg
PC32UD69V450D1A	Q300187	690 V	700 V	450 A	22 kA ² s	130 kA ² s	200 kA	80 W	x	3	0.56 kg
PC32UD69V500D1A	R300188	690 V	700 V	500 A	28 kA ² s	160 kA ² s	200 kA	90 W	x	3	0.56 kg
PC32UD69V550D1A	S300189	690 V	700 V	550 A	37 kA ² s	215 kA ² s	200 kA	95 W	x	3	0.56 kg
PC32UD69V630D1A	T300190	690 V	700 V	630 A	54 kA ² s	310 kA ² s	200 kA	105 W	x	3	0.56 kg
PC32UD69V700D1A	V300191	690 V	700 V	700 A	76 kA ² s	440 kA ² s	200 kA	110 W	x	3	0.56 kg
PC32UD69V800D1A	W300192	690 V	700 V	800 A	115 kA ² s	660 kA ² s	200 kA	120 W	x	3	0.56 kg
PC32UD69V900D1A	X300193	690 V	700 V	900 A	170 kA ² s	990 kA ² s	200 kA	125 W	x	3	0.56 kg
PC32UD69V10CD1A	Y300194	690 V	700 V	1000 A	240 kA ² s	1380 kA ² s	200 kA	135 W	x	3	0.56 kg

Mersen products have been designed by Mersen for a range of specific applications to be operated depending on particular specification and conditions. Mersen makes no representation or/and warranty, and waives any liability, either express or implied for products' reliability and life time or technical performance in case Mersen has not been provided with customer's specifications or if the products are not purchased directly from Mersen or its distributors and/or agents.

Protistor® size 32 aR

450 to 690VAC (IEC) / 700VAC (UL)

PRODUCT RANGE



A070UD32KI900

Size 32 type KI short slotted blades

Catalog number	Item number	Rated voltage AC (IEC)	Rated voltage AC (UL)	Rated current I _n	Pre-arcing I ² t	Clearing I ² t at Rated Voltage	Rated breaking capacity AC	Power dissipation at I _n	UL certified	Package	Weight
A070UD32KI315	P302164	690 V	700 V	315 A	5.2 kA ² s	31.8 kA ² s	200 kA	71 W	x	3	0.55 kg
A070UD32KI350	Q302165	690 V	700 V	350 A	8.9 kA ² s	53.7 kA ² s	200 kA	74 W	x	3	0.55 kg
A070UD32KI400	Z300195	690 V	700 V	400 A	15 kA ² s	90 kA ² s	200 kA	75 W	x	3	0.55 kg
A070UD32KI450	A300196	690 V	700 V	450 A	22 kA ² s	130 kA ² s	200 kA	80 W	x	3	0.55 kg
A070UD32KI500	B300197	690 V	700 V	500 A	28 kA ² s	160 kA ² s	200 kA	90 W	x	3	0.55 kg
A070UD32KI550	C300198	690 V	700 V	550 A	37 kA ² s	215 kA ² s	200 kA	95 W	x	3	0.55 kg
A070UD32KI630	D300199	690 V	700 V	630 A	54 kA ² s	310 kA ² s	200 kA	105 W	x	3	0.55 kg
A070UD32KI700	E300200	690 V	700 V	700 A	76 kA ² s	440 kA ² s	200 kA	110 W	x	3	0.55 kg
A070UD32KI800	F300201	690 V	700 V	800 A	115 kA ² s	660 kA ² s	200 kA	120 W	x	3	0.55 kg
A070UD32KI900	G300202	690 V	700 V	900 A	170 kA ² s	990 kA ² s	200 kA	125 W	x	3	0.55 kg
A070UD32KI1000	H300203	690 V	700 V	1000 A	240 kA ² s	1380 kA ² s	200 kA	135 W	x	3	0.55 kg



A070UD32LI900

Size 32 type LI long slotted blades

Catalog number	Item number	Rated voltage AC (IEC)	Rated voltage AC (UL)	Rated current I _n	Pre-arcing I ² t	Clearing I ² t at Rated Voltage	Rated breaking capacity AC	Power dissipation at I _n	UL certified	Package	Weight
A070UD32LI315	R302166	690 V	700 V	315 A	5.2 kA ² s	31.8 kA ² s	200 kA	71 W	x	3	0.57 kg
A070UD32LI350	S302167	690 V	700 V	350 A	8.9 kA ² s	53.7 kA ² s	200 kA	74 W	x	3	0.57 kg
A070UD32LI400	J300204	690 V	700 V	400 A	15 kA ² s	90 kA ² s	200 kA	75 W	x	3	0.57 kg
A070UD32LI450	K300205	690 V	700 V	450 A	22 kA ² s	130 kA ² s	200 kA	80 W	x	3	0.57 kg
A070UD32LI500	L300206	690 V	700 V	500 A	28 kA ² s	160 kA ² s	200 kA	90 W	x	3	0.57 kg
A070UD32LI550	M300207	690 V	700 V	550 A	37 kA ² s	215 kA ² s	200 kA	95 W	x	3	0.57 kg
A070UD32LI630	N300208	690 V	700 V	630 A	54 kA ² s	310 kA ² s	200 kA	105 W	x	3	0.57 kg
A070UD32LI700	P300209	690 V	700 V	700 A	76 kA ² s	440 kA ² s	200 kA	110 W	x	3	0.57 kg
A070UD32LI800	Q300210	690 V	700 V	800 A	115 kA ² s	660 kA ² s	200 kA	120 W	x	3	0.57 kg
A070UD32LI900	R300211	690 V	700 V	900 A	170 kA ² s	990 kA ² s	200 kA	125 W	x	3	0.74 kg
A070UD32LI1000	S300212	690 V	700 V	1000 A	240 kA ² s	1380 kA ² s	200 kA	135 W	x	3	0.74 kg
A065UD32LI1100	B301071	600 V	650 V	1100 A	270 kA ² s	1450 kA ² s	200 kA	165 W	x	3	0.74 kg
A060UD32LI1250	C301072	550 V	600 V	1250 A	410 kA ² s	1950 kA ² s	200 kA	180 W	x	3	0.74 kg
A055UD32LI1400	D301073	500 V	550 V	1400 A	555 kA ² s	2300 kA ² s	200 kA	200 W	x	3	0.74 kg

Mersen products have been designed by Mersen for a range of specific applications to be operated depending on particular specification and conditions. Mersen makes no representation or/and warranty, and waives any liability, either express or implied for products' reliability and life time or technical performance in case Mersen has not been provided with customer's specifications or if the products are not purchased directly from Mersen or its distributors and/or agents.

Protistor® size 32 aR

450 to 690VAC (IEC) / 700VAC (UL)

PRODUCT RANGE



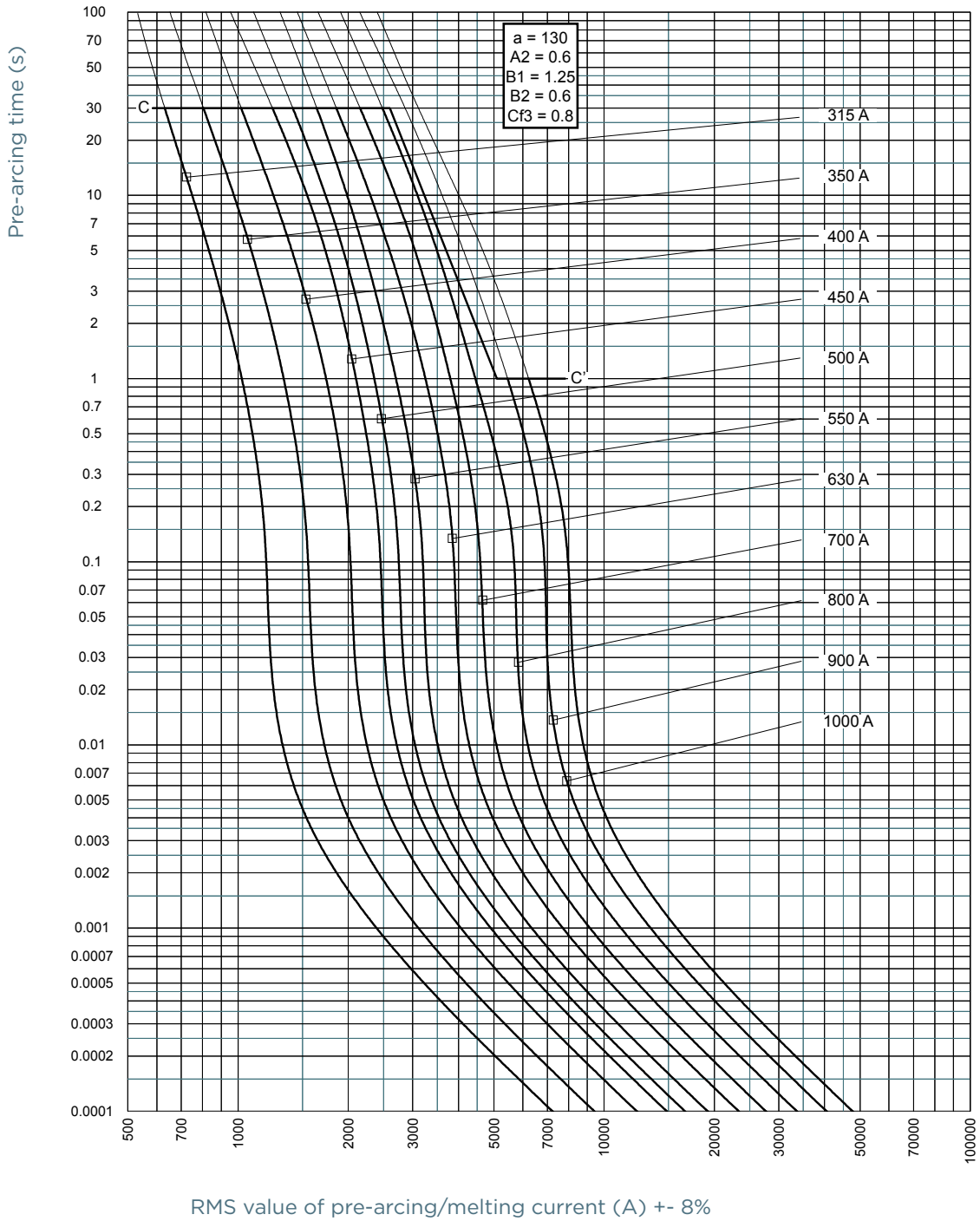
PC32UD69V900EF

Size 32 type EF blades for bolted connections

Catalog number	Item number	Rated voltage AC (IEC)	Rated voltage AC (UL)	Rated current I _n	Pre-arcing I ² t	Clearing I ² t at Rated Voltage	Rated breaking capacity AC	Power dissipation at I _n	UL certified	Package	Weight
PC32UD69V400EF	V300168	690 V	700 V	400 A	15 kA ² s	90 kA ² s	200 kA	75 W	x	3	0.57 kg
PC32UD69V450EF	W300169	690 V	700 V	450 A	22 kA ² s	130 kA ² s	200 kA	80 W	x	3	0.57 kg
PC32UD69V500EF	X300170	690 V	700 V	500 A	28 kA ² s	160 kA ² s	200 kA	90 W	x	3	0.57 kg
PC32UD69V550EF	Y300171	690 V	700 V	550 A	37 kA ² s	215 kA ² s	200 kA	95 W	x	3	0.57 kg
PC32UD69V630EF	Z300172	690 V	700 V	630 A	54 kA ² s	310 kA ² s	200 kA	105 W	x	3	0.57 kg
PC32UD69V700EF	A300173	690 V	700 V	700 A	76 kA ² s	440 kA ² s	200 kA	110 W	x	3	0.57 kg
PC32UD69V800EF	B300174	690 V	700 V	800 A	115 kA ² s	660 kA ² s	200 kA	120 W	x	3	0.57 kg
PC32UD69V900EF	C300175	690 V	700 V	900 A	170 kA ² s	990 kA ² s	200 kA	125 W	x	3	0.57 kg
PC32UD69V1000EF	D300176	690 V	700 V	1000 A	240 kA ² s	1380 kA ² s	200 kA	135 W	x	3	0.57 kg

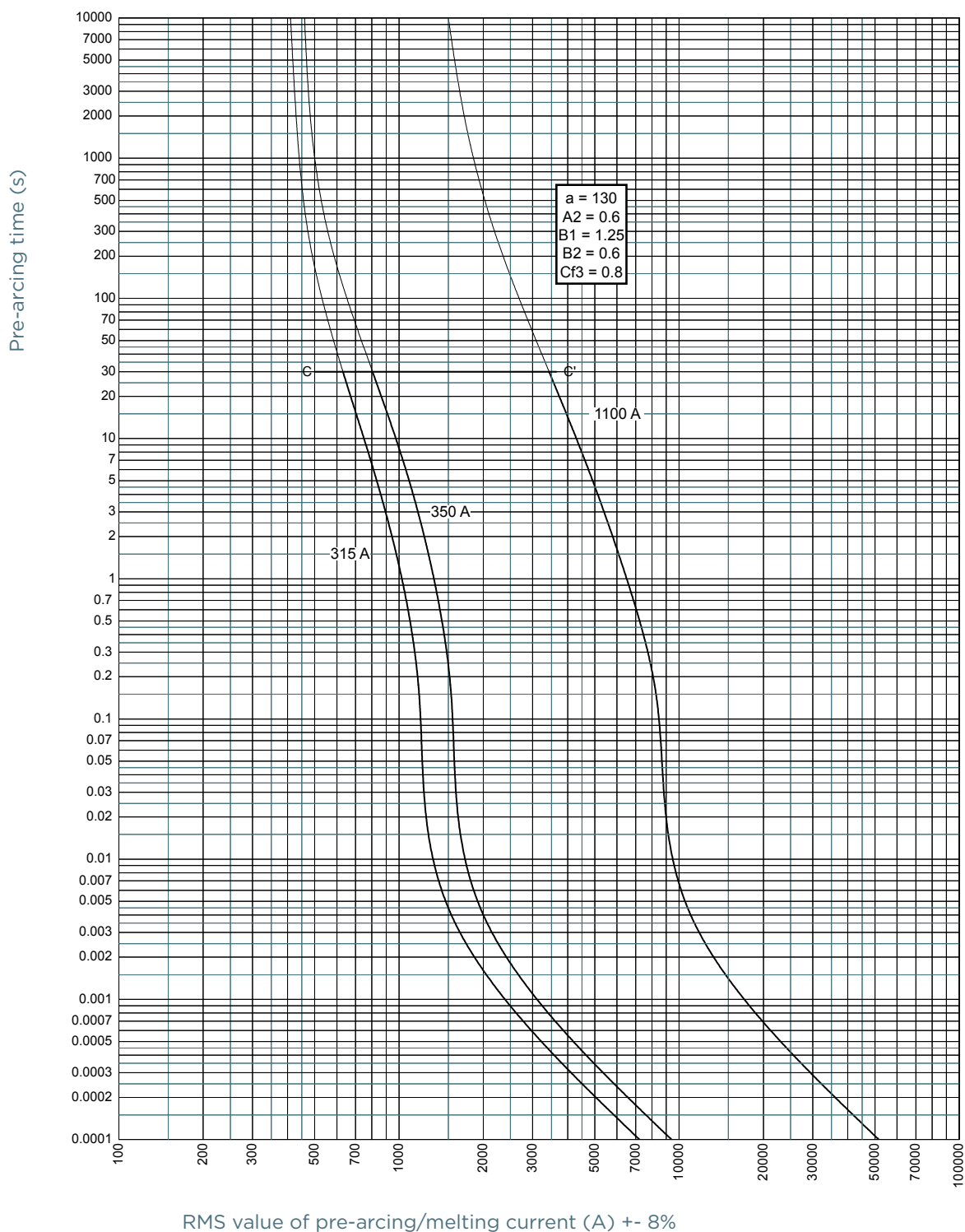
Mersen products have been designed by Mersen for a range of specific applications to be operated depending on particular specification and conditions. Mersen makes no representation or/and warranty, and waives any liability, either express or implied for products' reliability and life time or technical performance in case Mersen has not been provided with customer's specifications or if the products are not purchased directly from Mersen or its distributors and/or agents.

TIME CURRENT CHARACTERISTIC CURVES



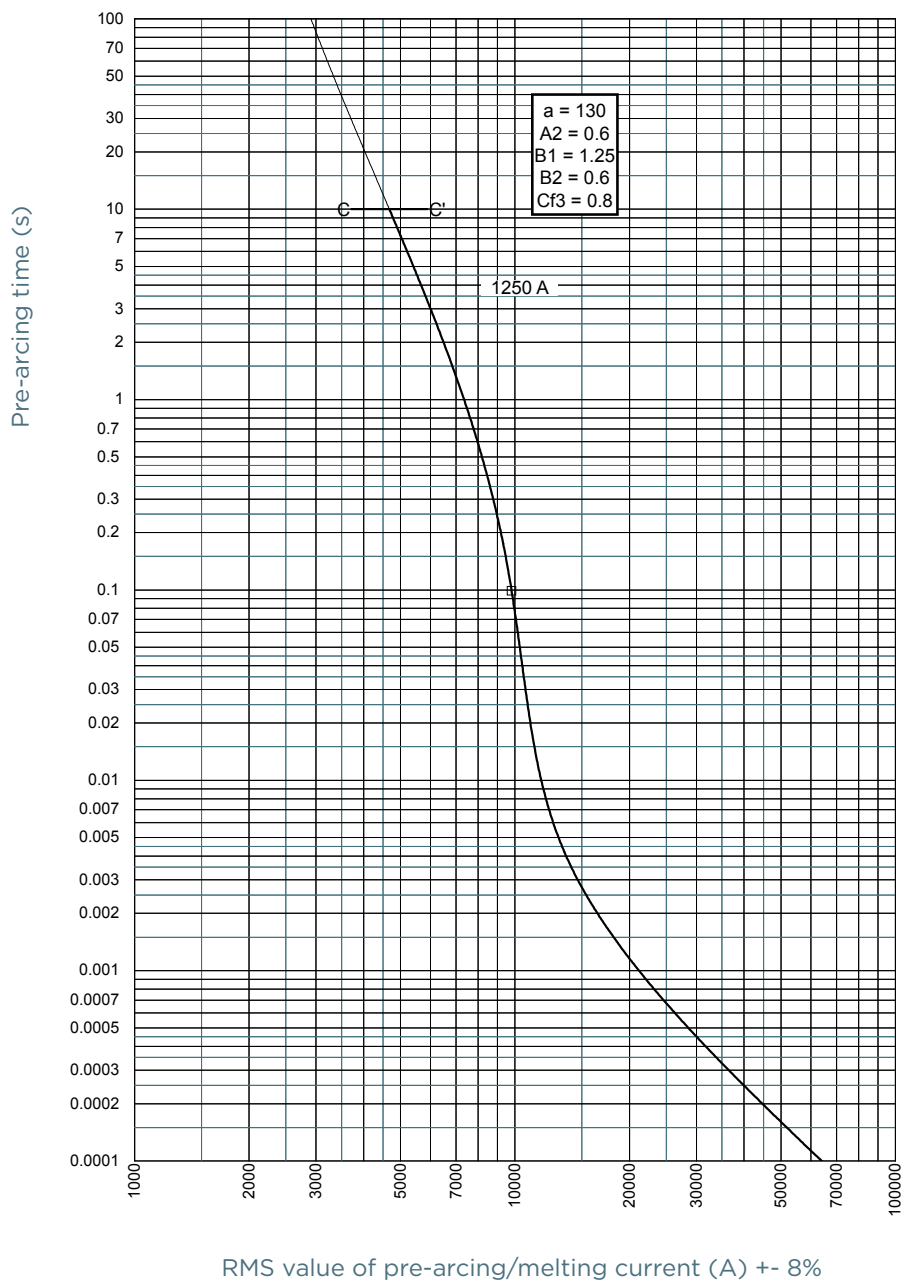
Mersen products have been designed by Mersen for a range of specific applications to be operated depending on particular specification and conditions. Mersen makes no representation or/and warranty, and waives any liability, either express or implied for products' reliability and life time or technical performance in case Mersen has not been provided with customer's specifications or if the products are not purchased directly from Mersen or its distributors and/or agents.

TIME CURRENT CHARACTERISTIC CURVES



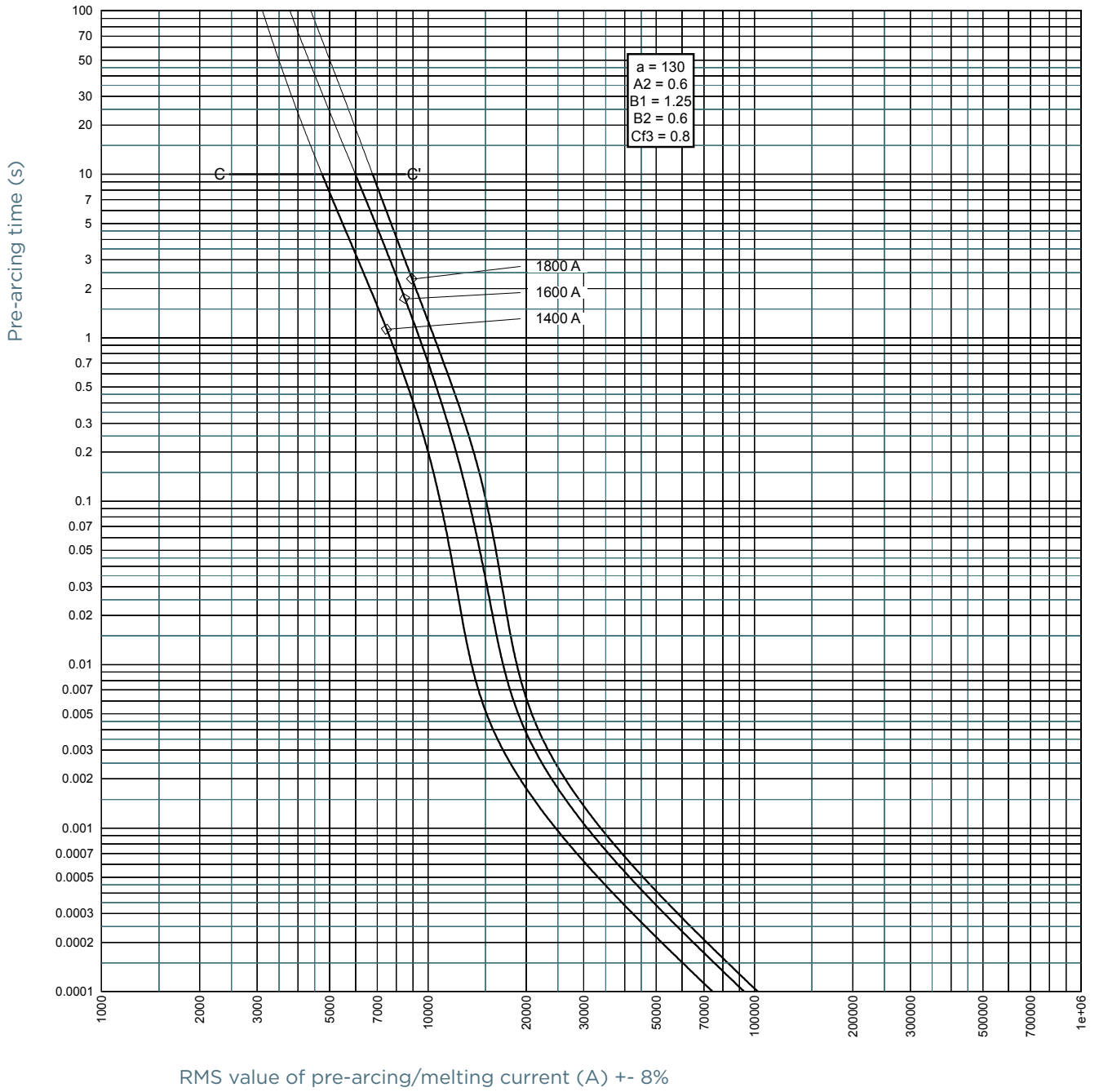
Mersen products have been designed by Mersen for a range of specific applications to be operated depending on particular specification and conditions. Mersen makes no representation or/and warranty, and waives any liability, either express or implied for products' reliability and life time or technical performance in case Mersen has not been provided with customer's specifications or if the products are not purchased directly from Mersen or its distributors and/or agents.

TIME CURRENT CHARACTERISTIC CURVES



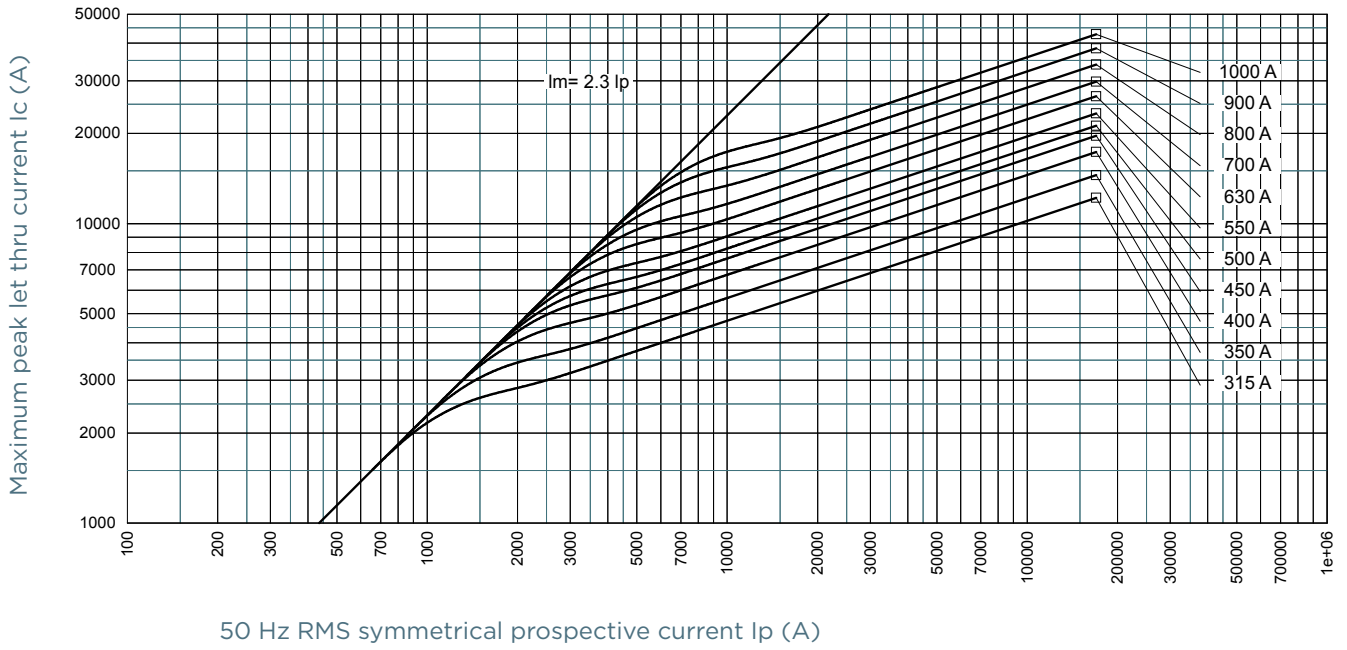
Mersen products have been designed by Mersen for a range of specific applications to be operated depending on particular specification and conditions. Mersen makes no representation or/and warranty, and waives any liability, either express or implied for products' reliability and life time or technical performance in case Mersen has not been provided with customer's specifications or if the products are not purchased directly from Mersen or its distributors and/or agents.

TIME CURRENT CHARACTERISTIC CURVES

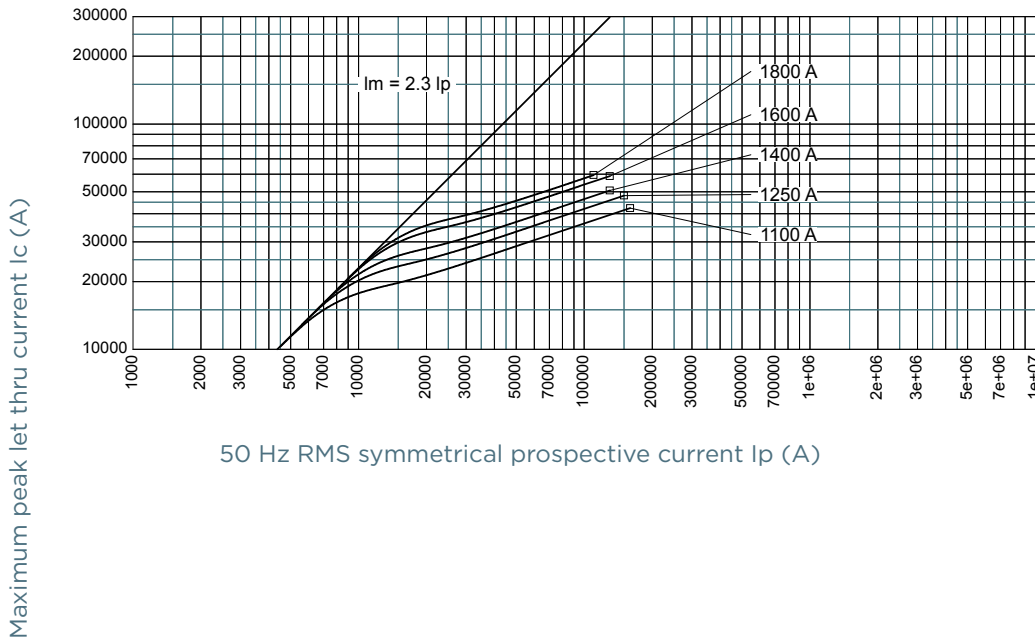


Mersen products have been designed by Mersen for a range of specific applications to be operated depending on particular specification and conditions. Mersen makes no representation or/and warranty, and waives any liability, either express or implied for products' reliability and life time or technical performance in case Mersen has not been provided with customer's specifications or if the products are not purchased directly from Mersen or its distributors and/or agents.

CUT-OFF CURRENT CHARACTERISTIC



50 Hz RMS symmetrical prospective current I_p (A)

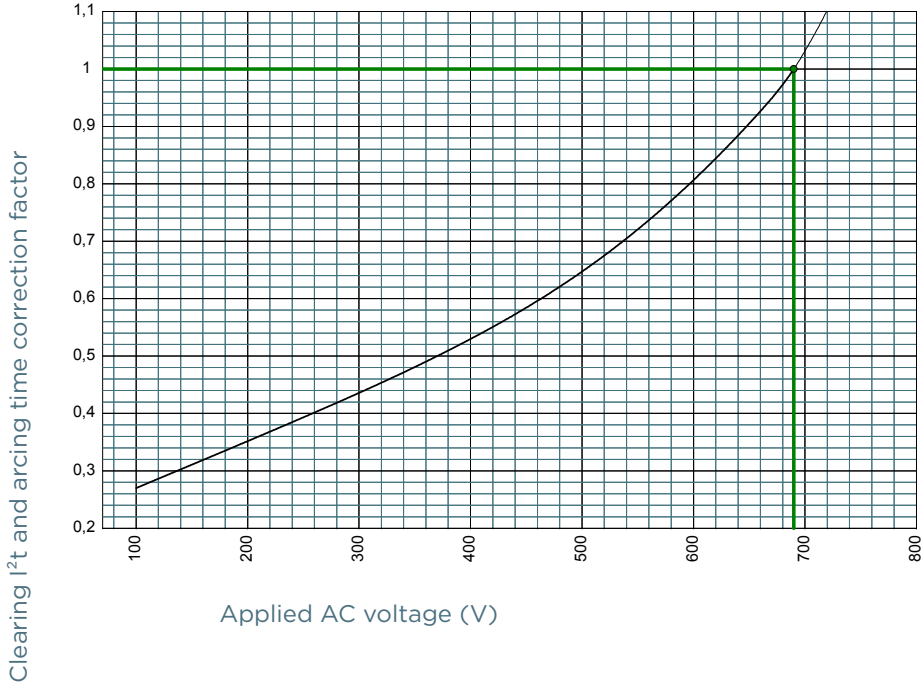


50 Hz RMS symmetrical prospective current I_p (A)

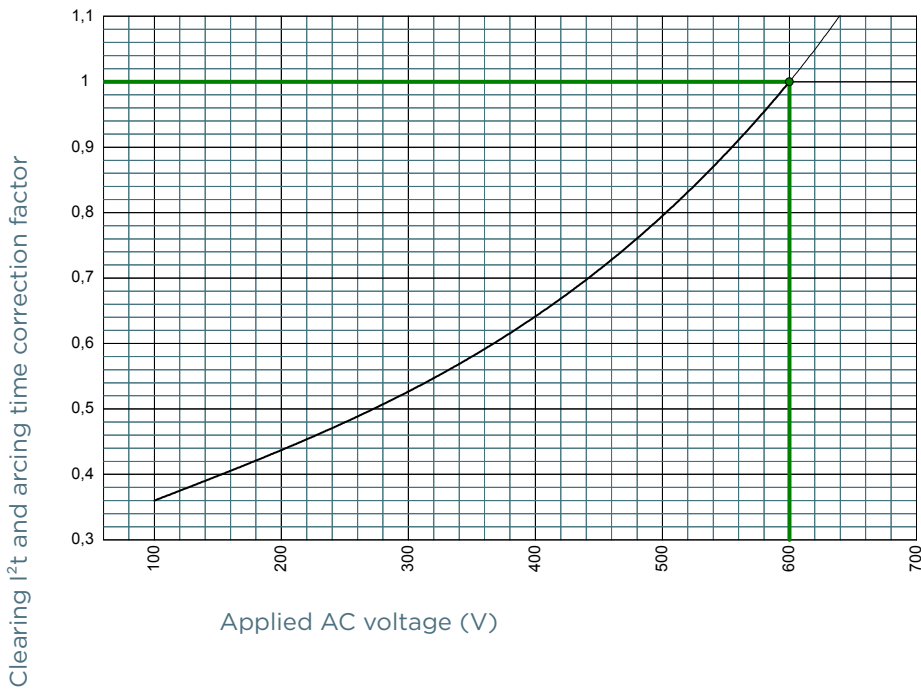
Mersen products have been designed by Mersen for a range of specific applications to be operated depending on particular specification and conditions. Mersen makes no representation or/and warranty, and waives any liability, either express or implied for products' reliability and life time or technical performance in case Mersen has not been provided with customer's specifications or if the products are not purchased directly from Mersen or its distributors and/or agents.

I²T MULTIPLIER COEFFICIENT

Size 32 690V



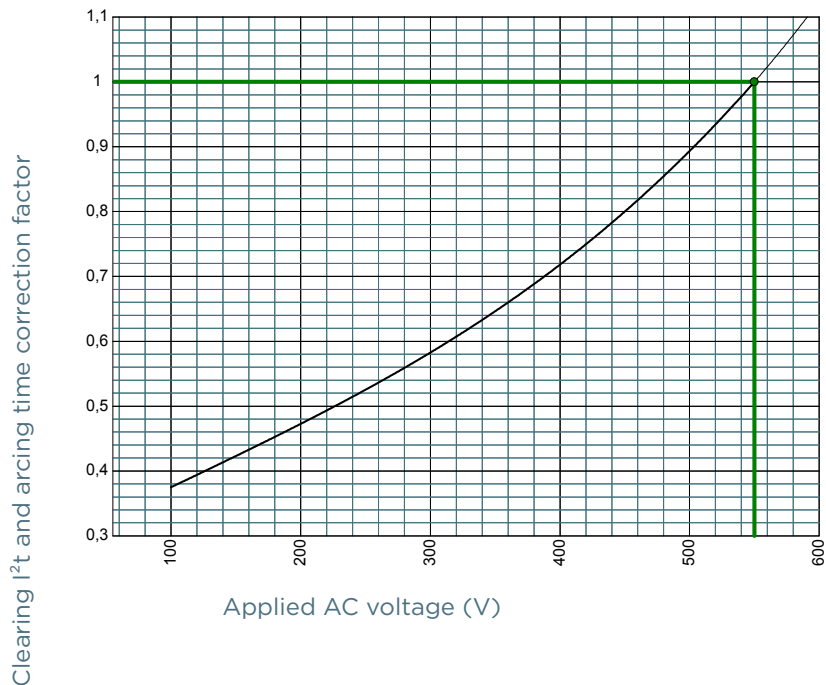
Size 32 600V



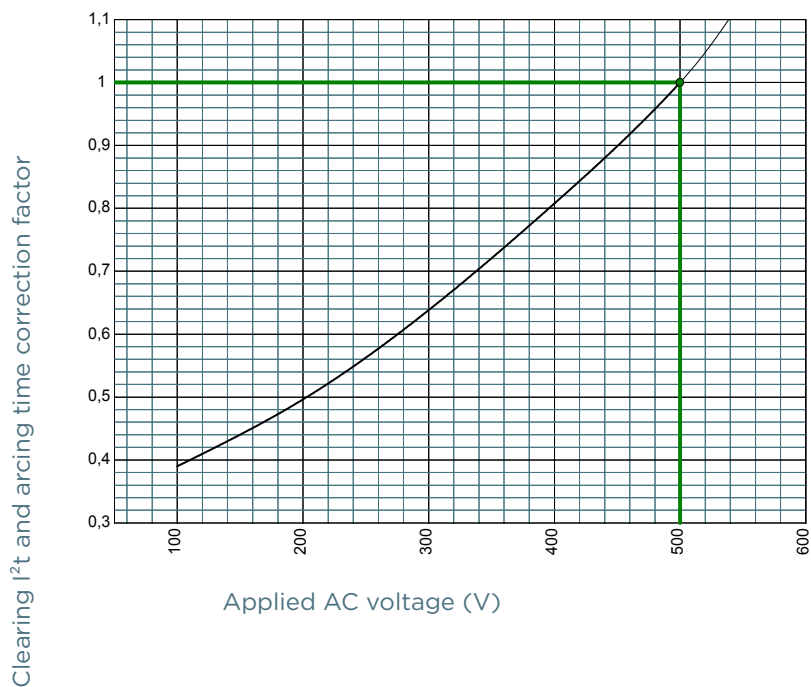
Mersen products have been designed by Mersen for a range of specific applications to be operated depending on particular specification and conditions. Mersen makes no representation or/and warranty, and waives any liability, either express or implied for products' reliability and life time or technical performance in case Mersen has not been provided with customer's specifications or if the products are not purchased directly from Mersen or its distributors and/or agents.

I²T MULTIPLIER COEFFICIENT

Size 32 550V



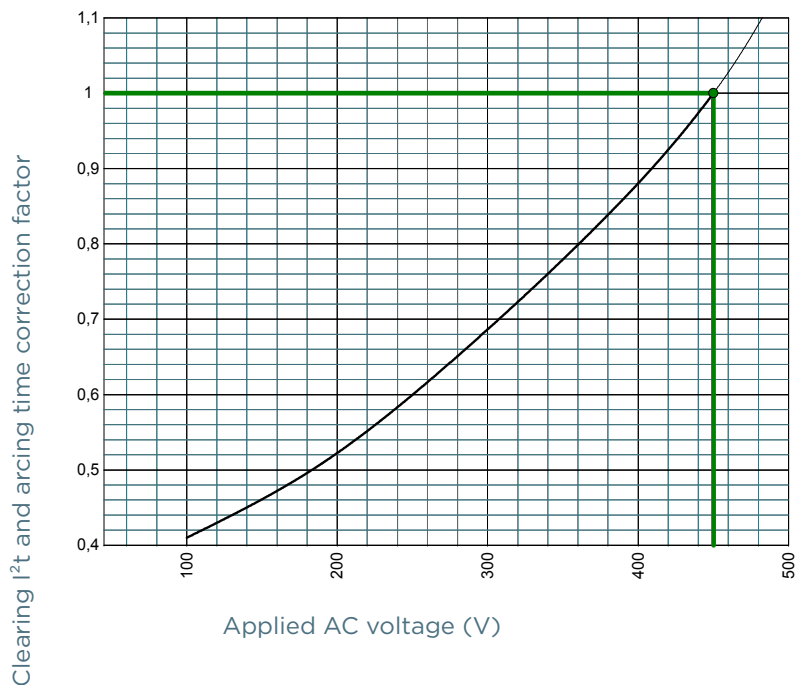
Size 32 500V



Mersen products have been designed by Mersen for a range of specific applications to be operated depending on particular specification and conditions. Mersen makes no representation or/and warranty, and waives any liability, either express or implied for products' reliability and life time or technical performance in case Mersen has not been provided with customer's specifications or if the products are not purchased directly from Mersen or its distributors and/or agents.

I²T MULTIPLIER COEFFICIENT

Size 32 450V



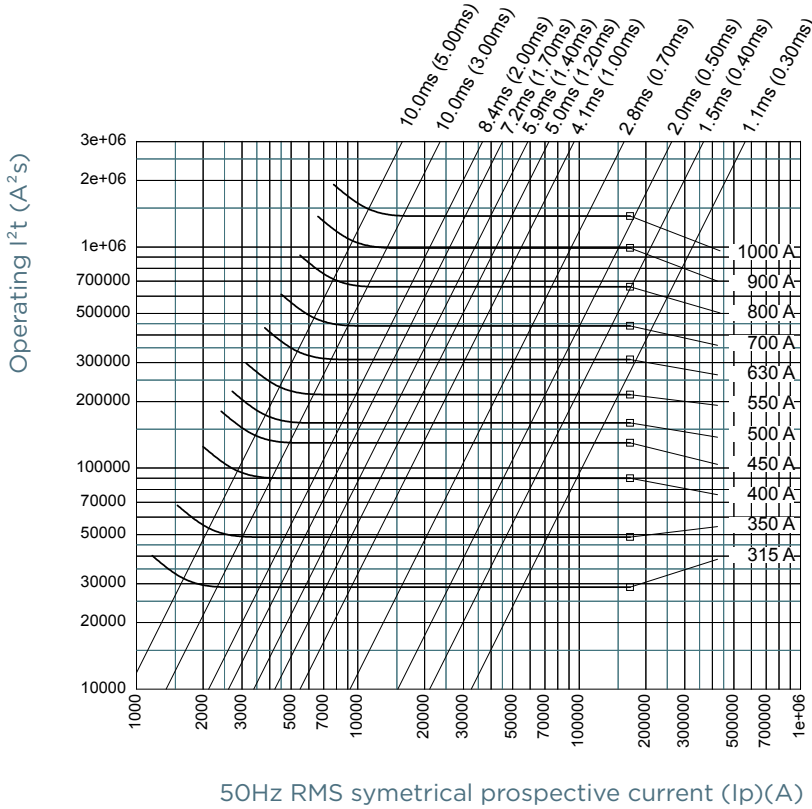
Mersen products have been designed by Mersen for a range of specific applications to be operated depending on particular specification and conditions. Mersen makes no representation or/and warranty, and waives any liability, either express or implied for products' reliability and life time or technical performance in case Mersen has not been provided with customer's specifications or if the products are not purchased directly from Mersen or its distributors and/or agents.

Protistor® size 32 aR

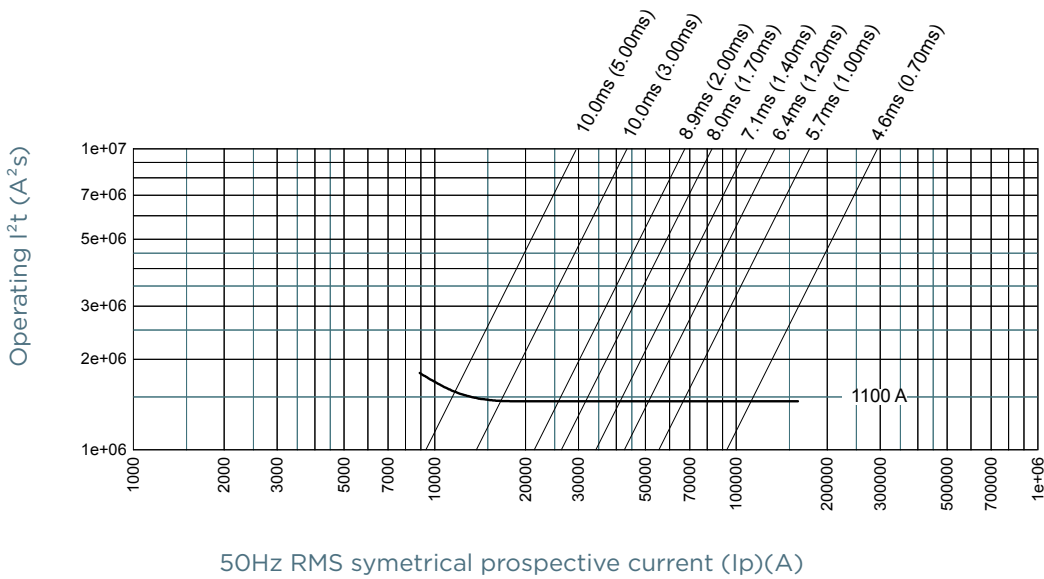
450 to 690VAC (IEC) / 700VAC (UL)

CHARACTERISTICS TOTAL I²T CURVE

Size 32 690V



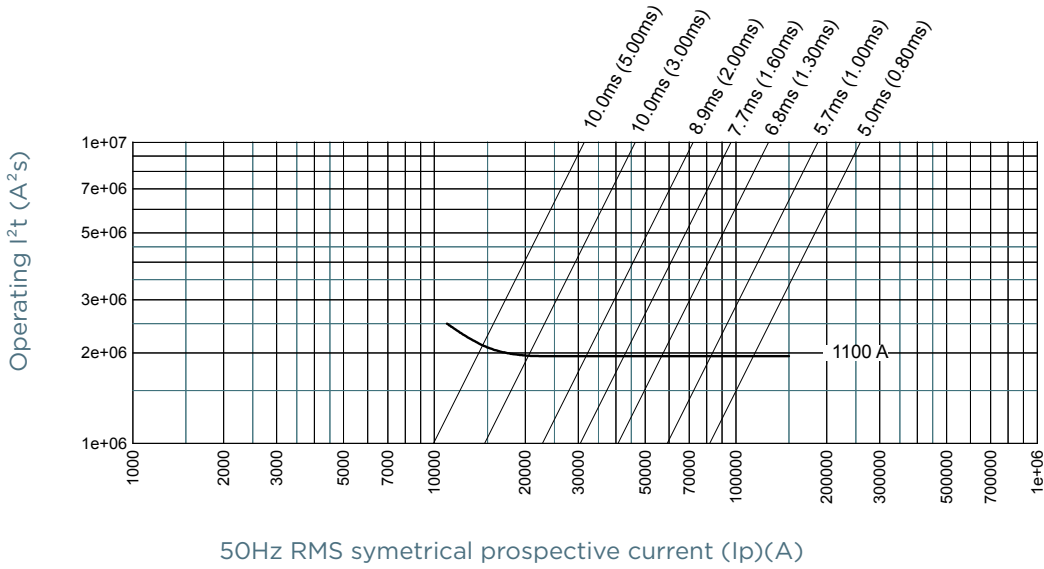
Size 32 660V



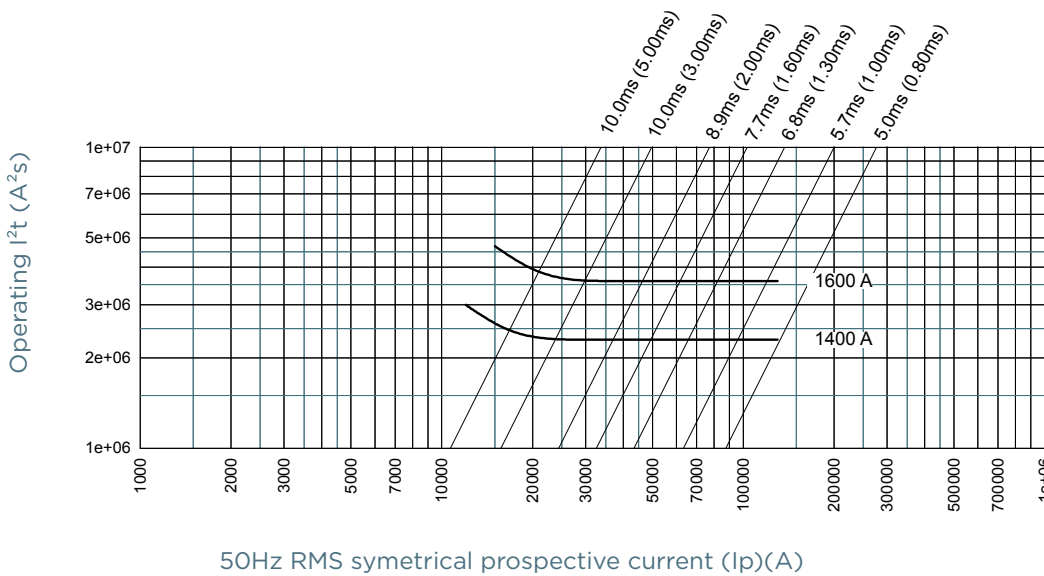
Mersen products have been designed by Mersen for a range of specific applications to be operated depending on particular specification and conditions. Mersen makes no representation or/and warranty, and waives any liability, either express or implied for products' reliability and life time or technical performance in case Mersen has not been provided with customer's specifications or if the products are not purchased directly from Mersen or its distributors and/or agents.

CHARACTERISTICS TOTAL I²T CURVE

Size 32 550V



Size 32 500V



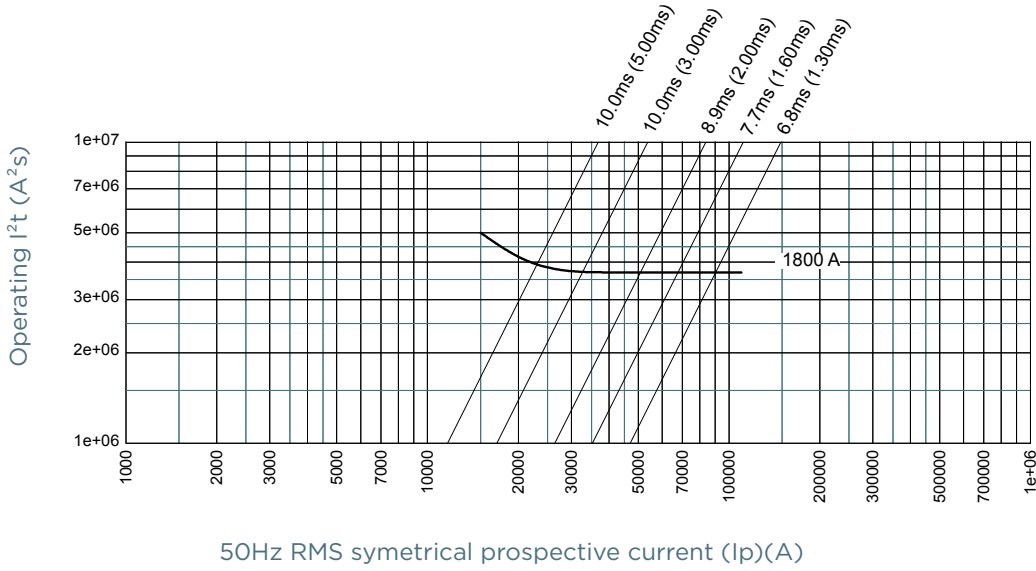
Mersen products have been designed by Mersen for a range of specific applications to be operated depending on particular specification and conditions. Mersen makes no representation or/and warranty, and waives any liability, either express or implied for products' reliability and life time or technical performance in case Mersen has not been provided with customer's specifications or if the products are not purchased directly from Mersen or its distributors and/or agents.

Protistor® size 32 aR

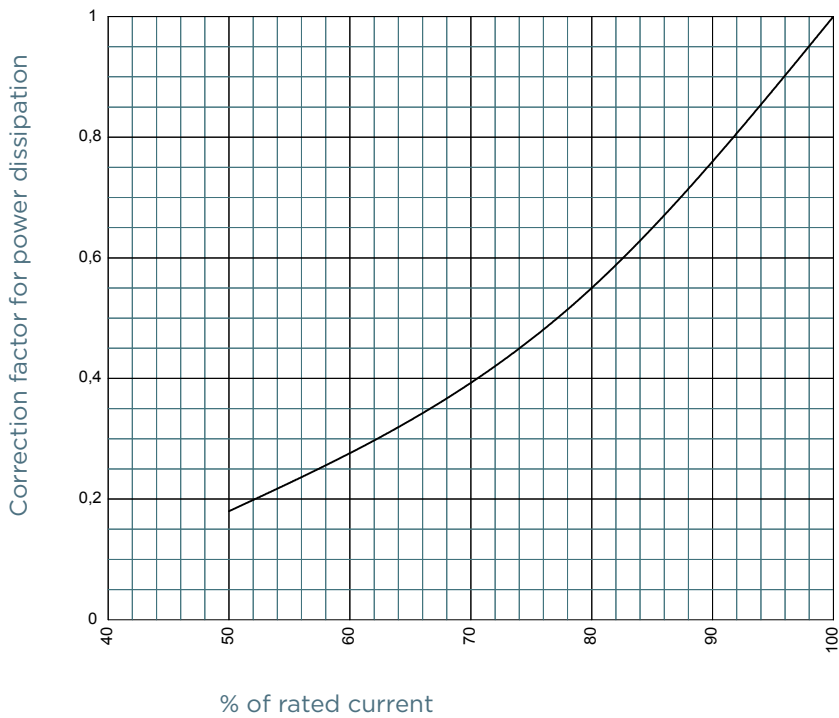
450 to 690VAC (IEC) / 700VAC (UL)

CHARACTERISTICS TOTAL I²T CURVE

Size 32 450V



POWER DISSIPATION



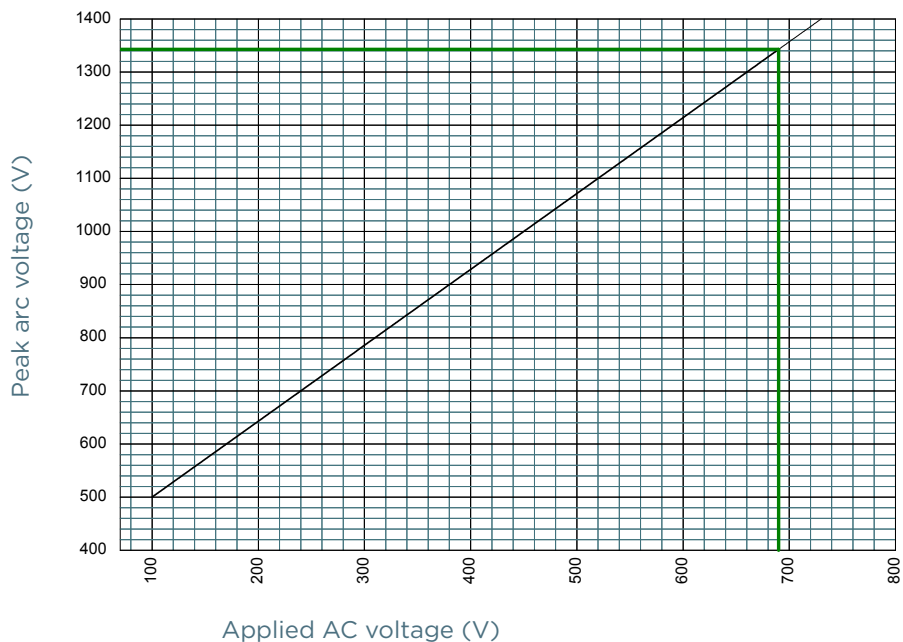
Mersen products have been designed by Mersen for a range of specific applications to be operated depending on particular specification and conditions. Mersen makes no representation or/and warranty, and waives any liability, either express or implied for products' reliability and life time or technical performance in case Mersen has not been provided with customer's specifications or if the products are not purchased directly from Mersen or its distributors and/or agents.

Protistor® size 32 aR

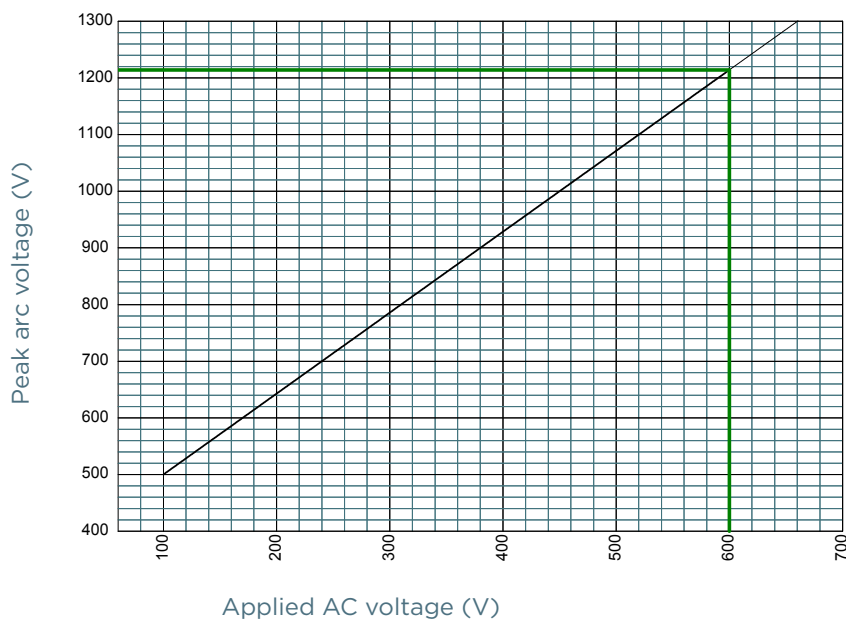
450 to 690VAC (IEC) / 700VAC (UL)

PEAK ARC VOLTAGE

Size 32 690V



Size 32 600V



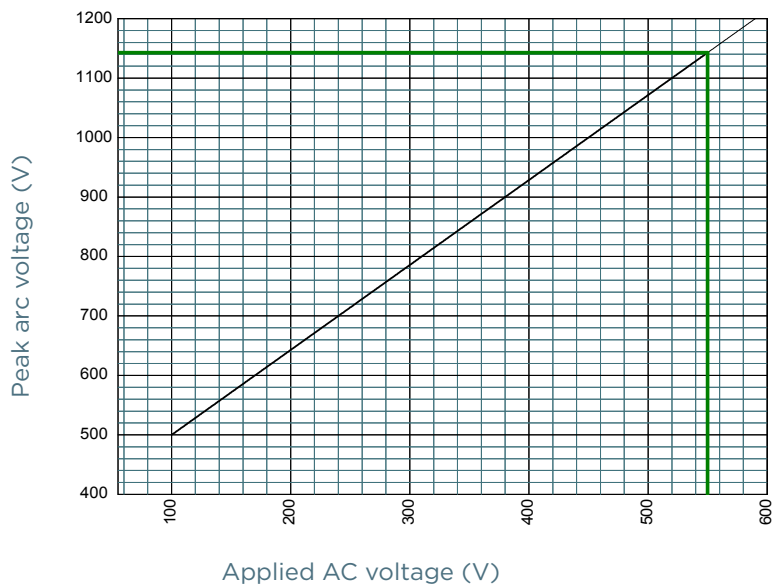
Mersen products have been designed by Mersen for a range of specific applications to be operated depending on particular specification and conditions. Mersen makes no representation or/and warranty, and waives any liability, either express or implied for products' reliability and life time or technical performance in case Mersen has not been provided with customer's specifications or if the products are not purchased directly from Mersen or its distributors and/or agents.

Protistor® size 32 aR

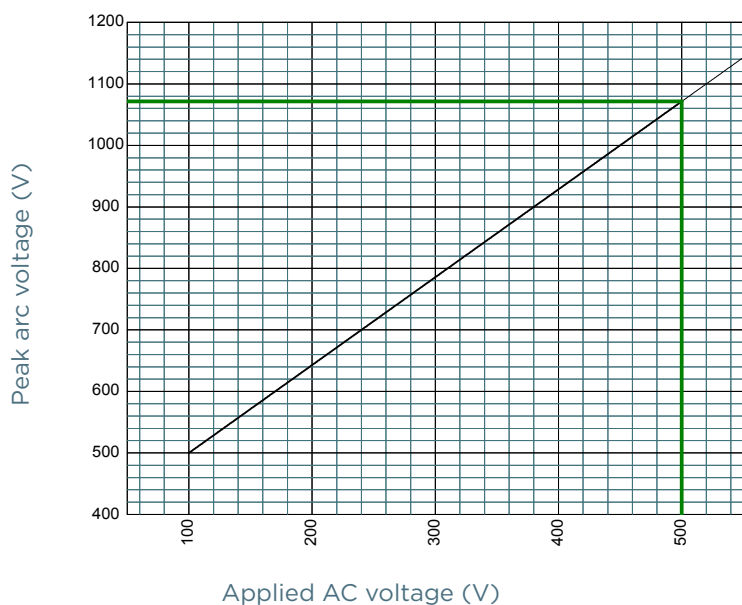
450 to 690VAC (IEC) / 700VAC (UL)

PEAK ARC VOLTAGE

Size 32 550V



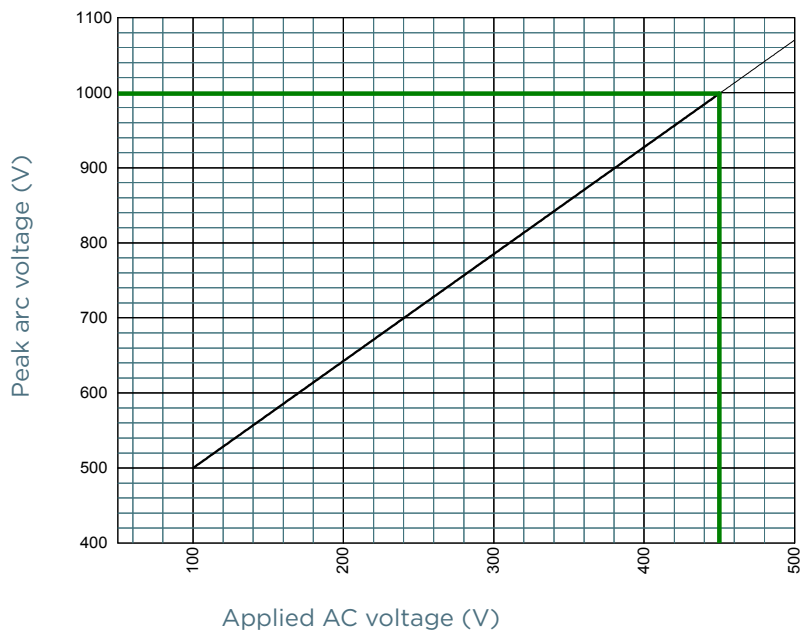
Size 32 500V



Mersen products have been designed by Mersen for a range of specific applications to be operated depending on particular specification and conditions. Mersen makes no representation or/and warranty, and waives any liability, either express or implied for products' reliability and life time or technical performance in case Mersen has not been provided with customer's specifications or if the products are not purchased directly from Mersen or its distributors and/or agents.

PEAK ARC VOLTAGE

Size 32 450V



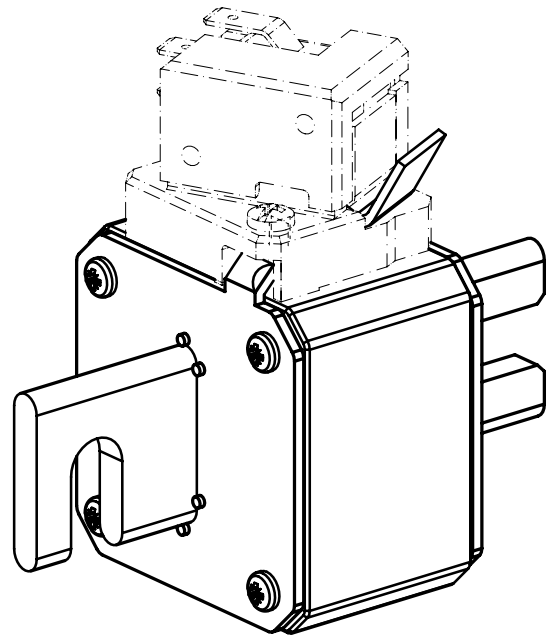
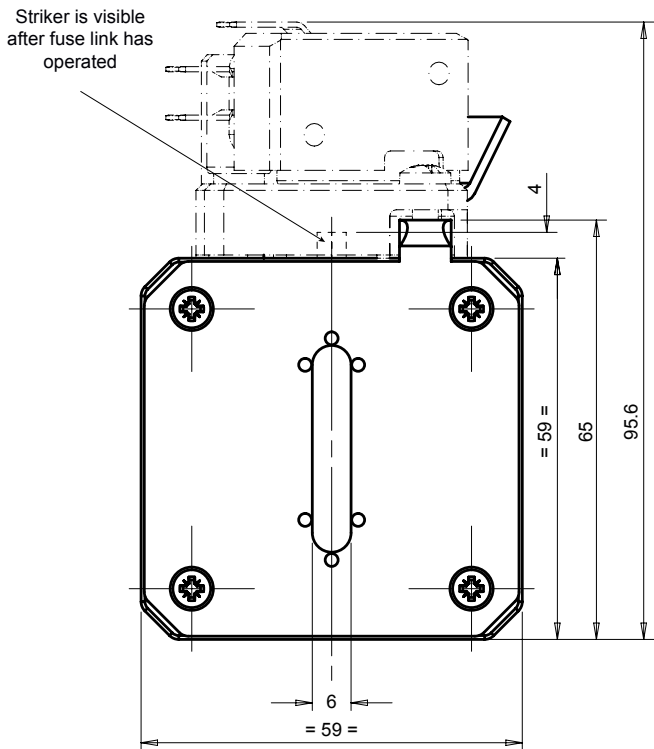
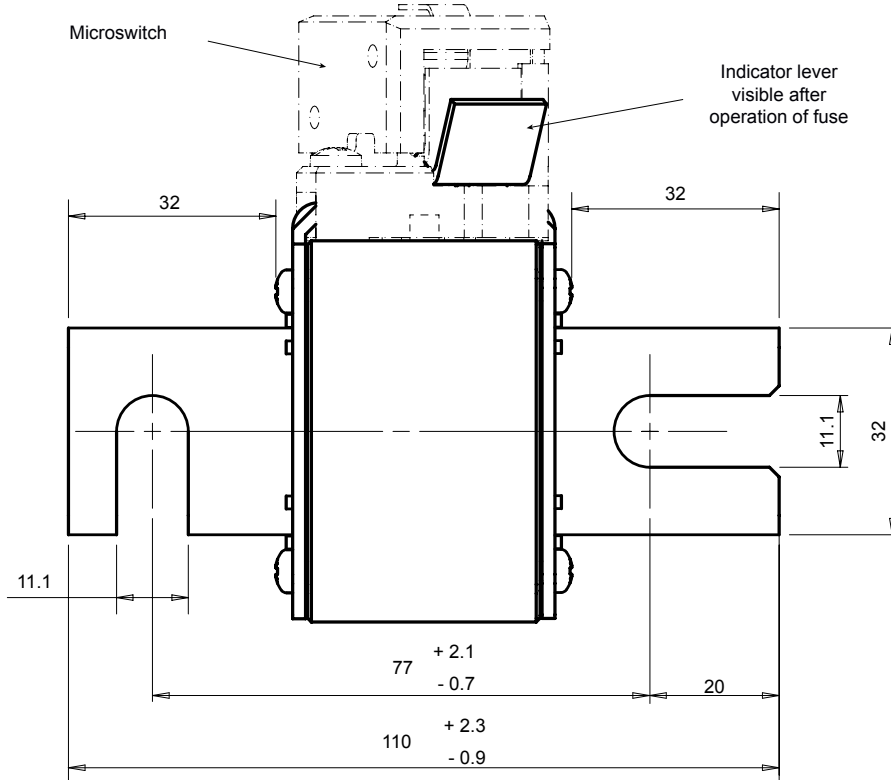
Mersen products have been designed by Mersen for a range of specific applications to be operated depending on particular specification and conditions. Mersen makes no representation or/and warranty, and waives any liability, either express or implied for products' reliability and life time or technical performance in case Mersen has not been provided with customer's specifications or if the products are not purchased directly from Mersen or its distributors and/or agents.

Protistor® size 32 aR

450 to 690VAC (IEC) / 700VAC (UL)

DIMENSIONS

Size 32 type DIN 80 (102923)



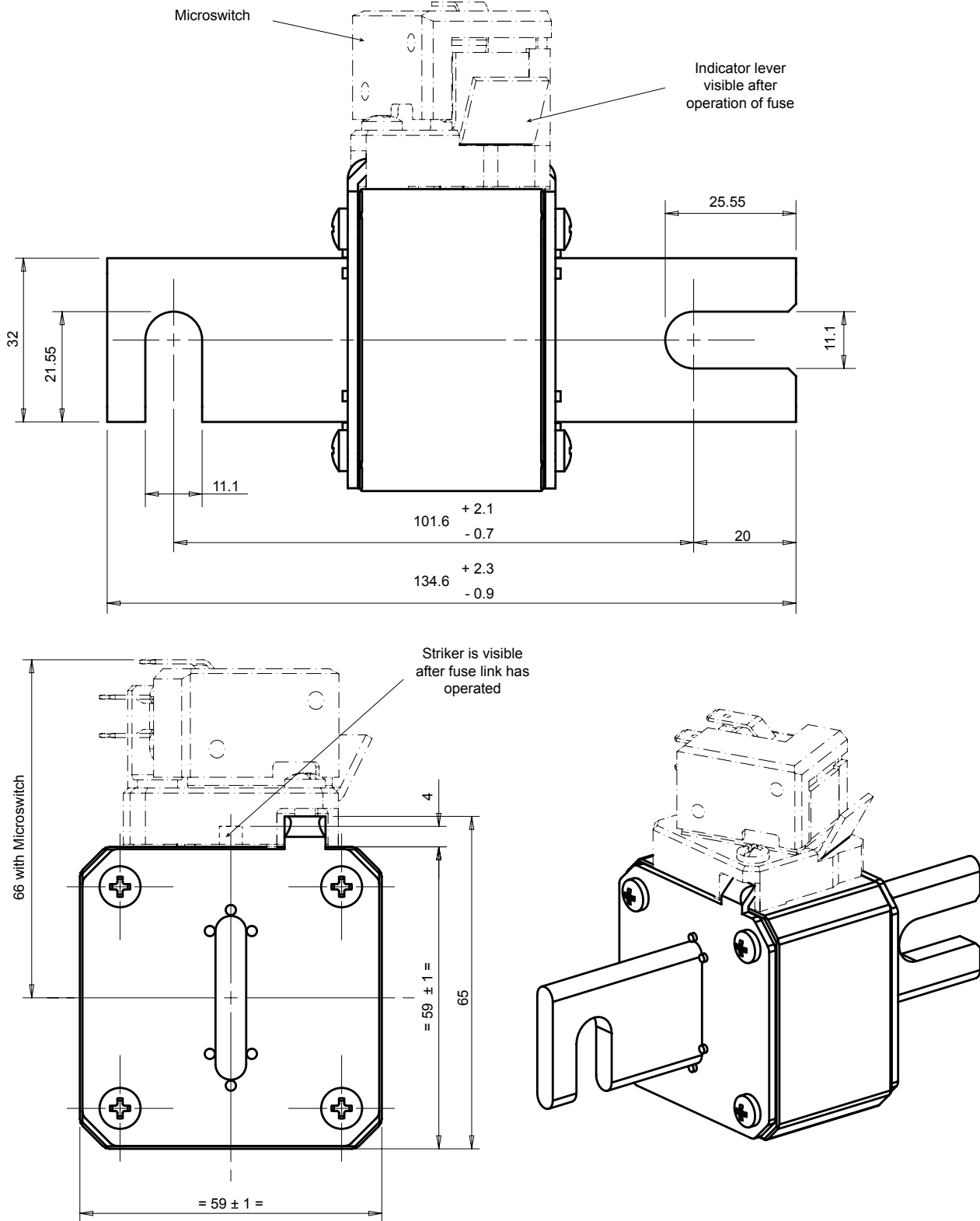
Dimensions in mm

Protistor® size 32 aR

450 to 690VAC (IEC) / 700VAC (UL)

DIMENSIONS

Size 32 type DIN 110 (102922)



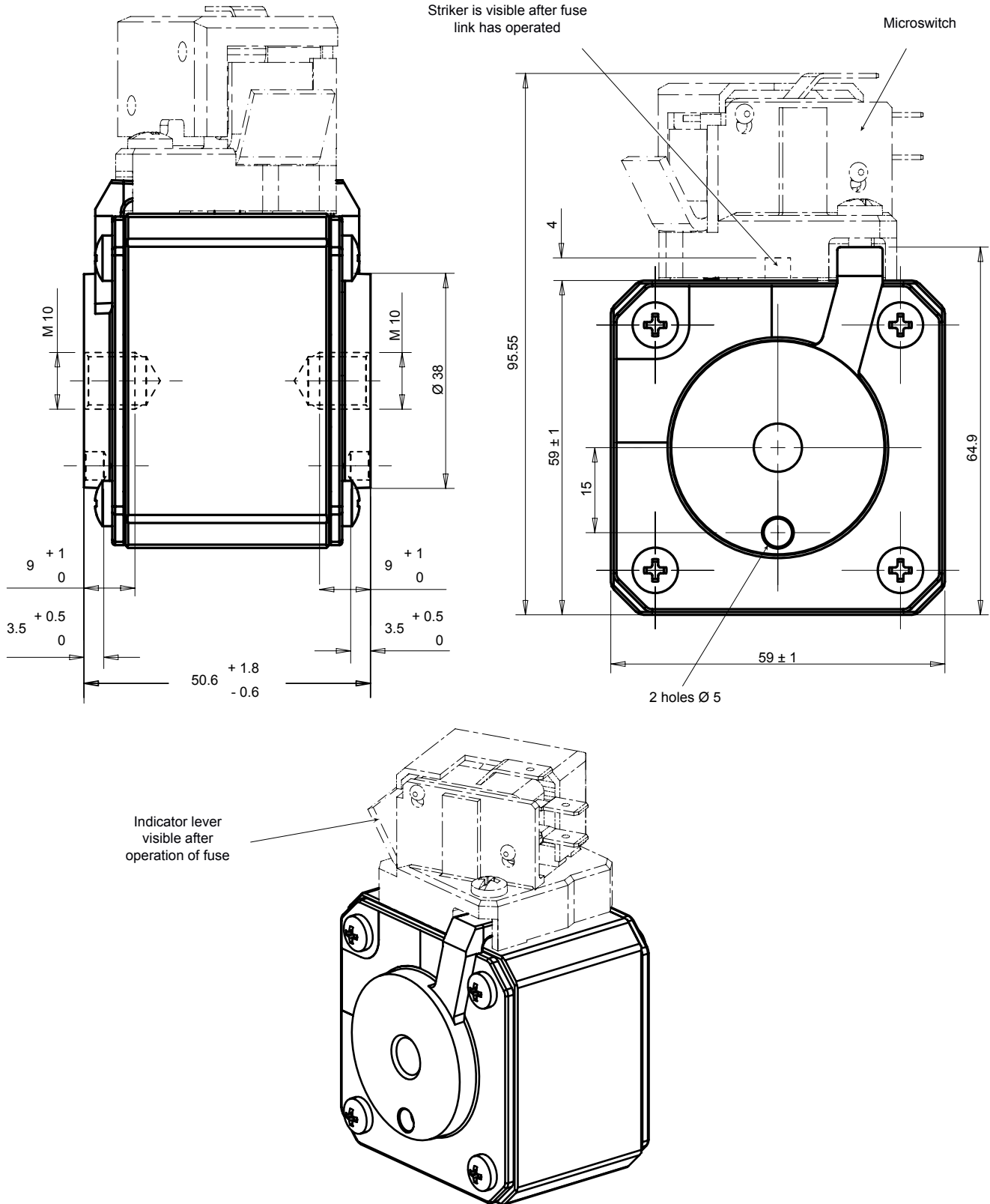
Mersen products have been designed by Mersen for a range of specific applications to be operated depending on particular specification and conditions. Mersen makes no representation or/and warranty, and waives any liability, either express or implied, for products' reliability and life time or technical performance in case Mersen has not been provided with customer's specifications or if the products are not purchased directly from Mersen or its distributors and/or agents.

Protistor® size 32 aR

450 to 690VAC (IEC) / 700VAC (UL)

DIMENSIONS

Size 32 type TTF (102756)



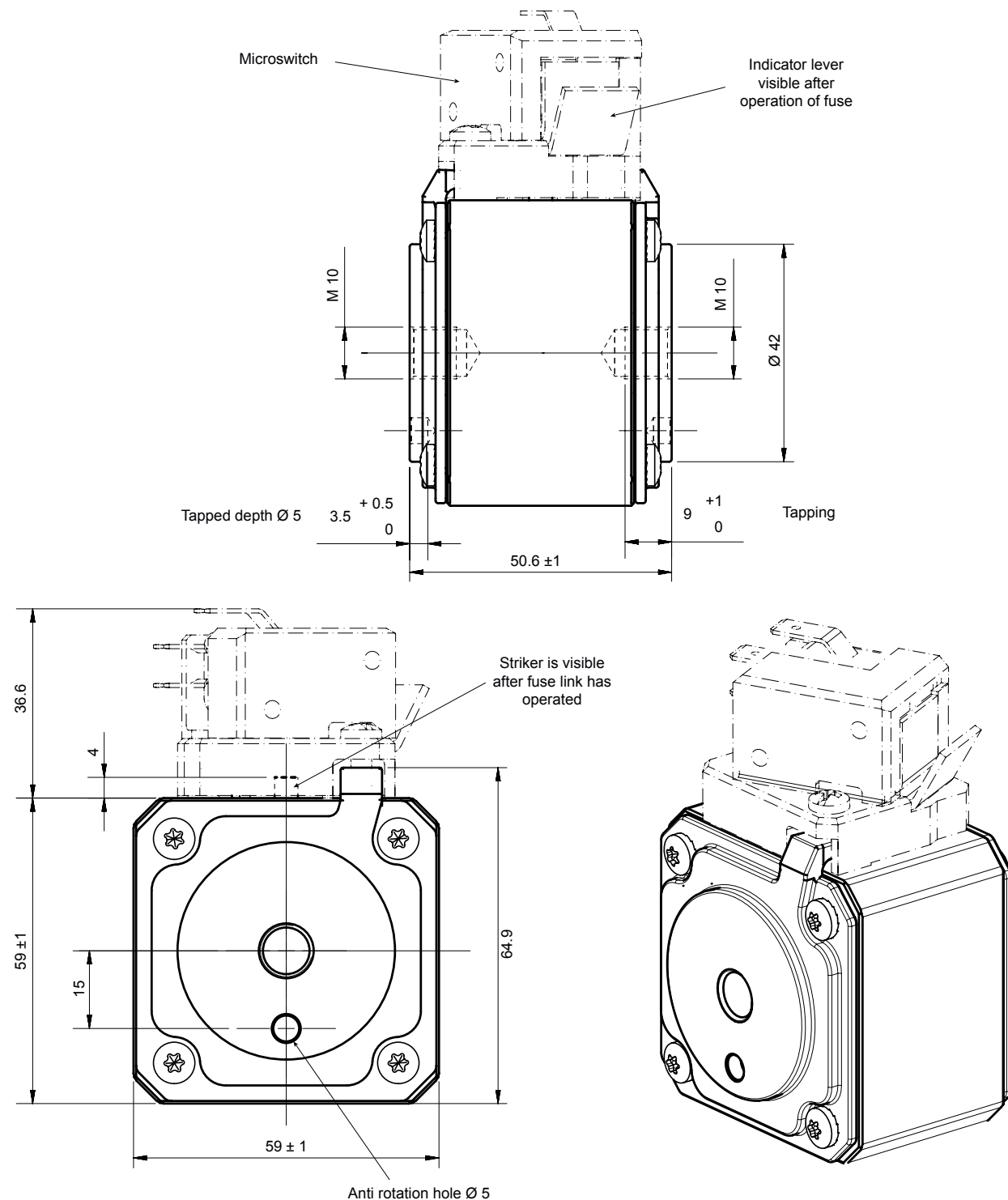
Dimensions in mm

Protistor® size 32 aR

450 to 690VAC (IEC) / 700VAC (UL)

DIMENSIONS

Size 32 type TTF reinforced (108188)



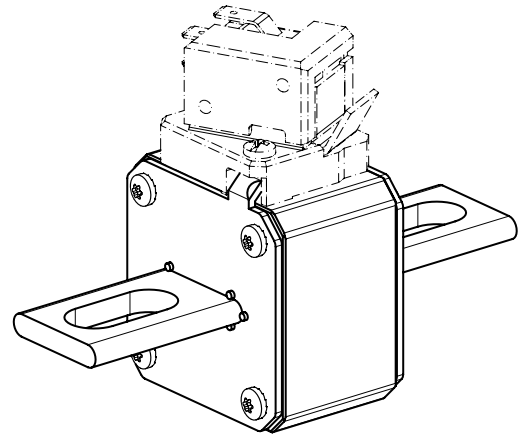
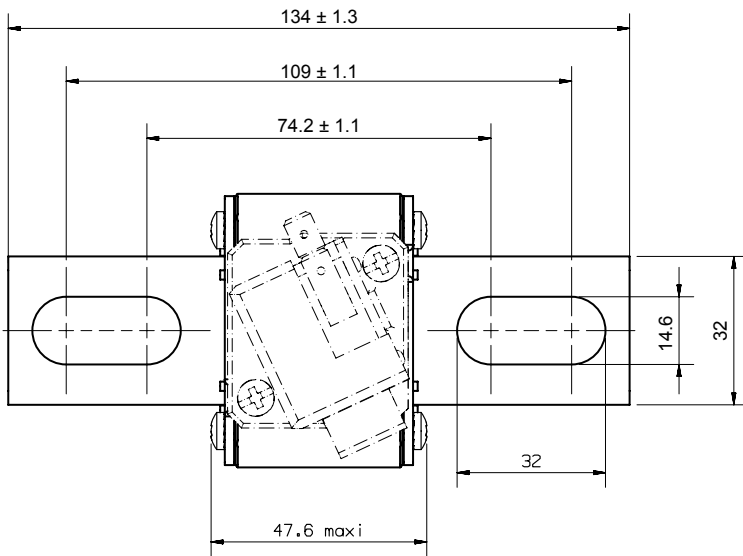
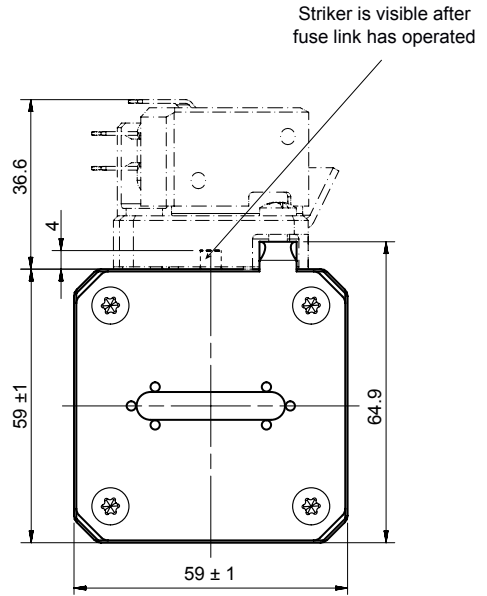
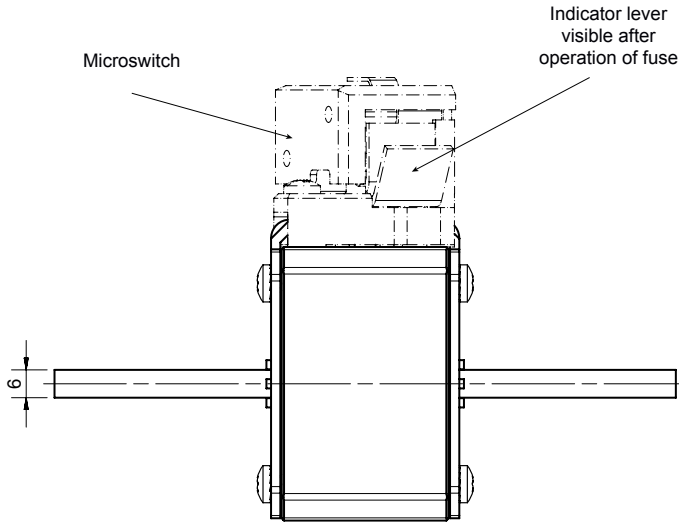
Dimensions in mm

Protistor® size 32 aR

450 to 690VAC (IEC) / 700VAC (UL)

DIMENSIONS

Size 32 type KI (102925)



Dimensions in mm

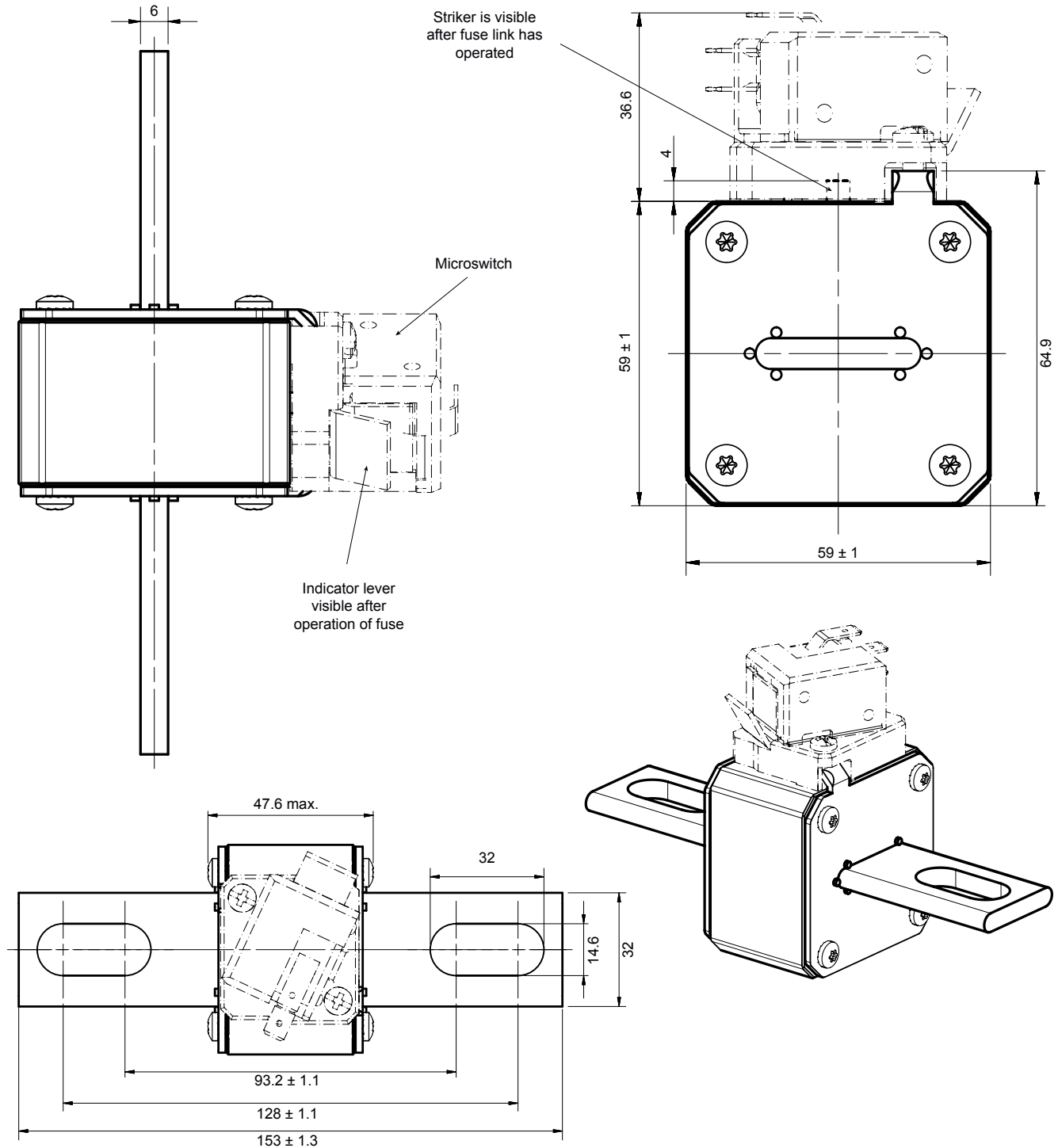
Mersen products have been designed by Mersen for a range of specific applications to be operated depending on particular specification and conditions. Mersen makes no representation or/and warranty, and waives any liability, either express or implied for products' reliability and life time or technical performance in case Mersen has not been provided with customer's specifications or if the products are not purchased directly from Mersen or its distributors and/or agents.

Protistor® size 32 aR

450 to 690VAC (IEC) / 700VAC (UL)

DIMENSIONS

Size 32 type LI (102926)



Dimensions in mm

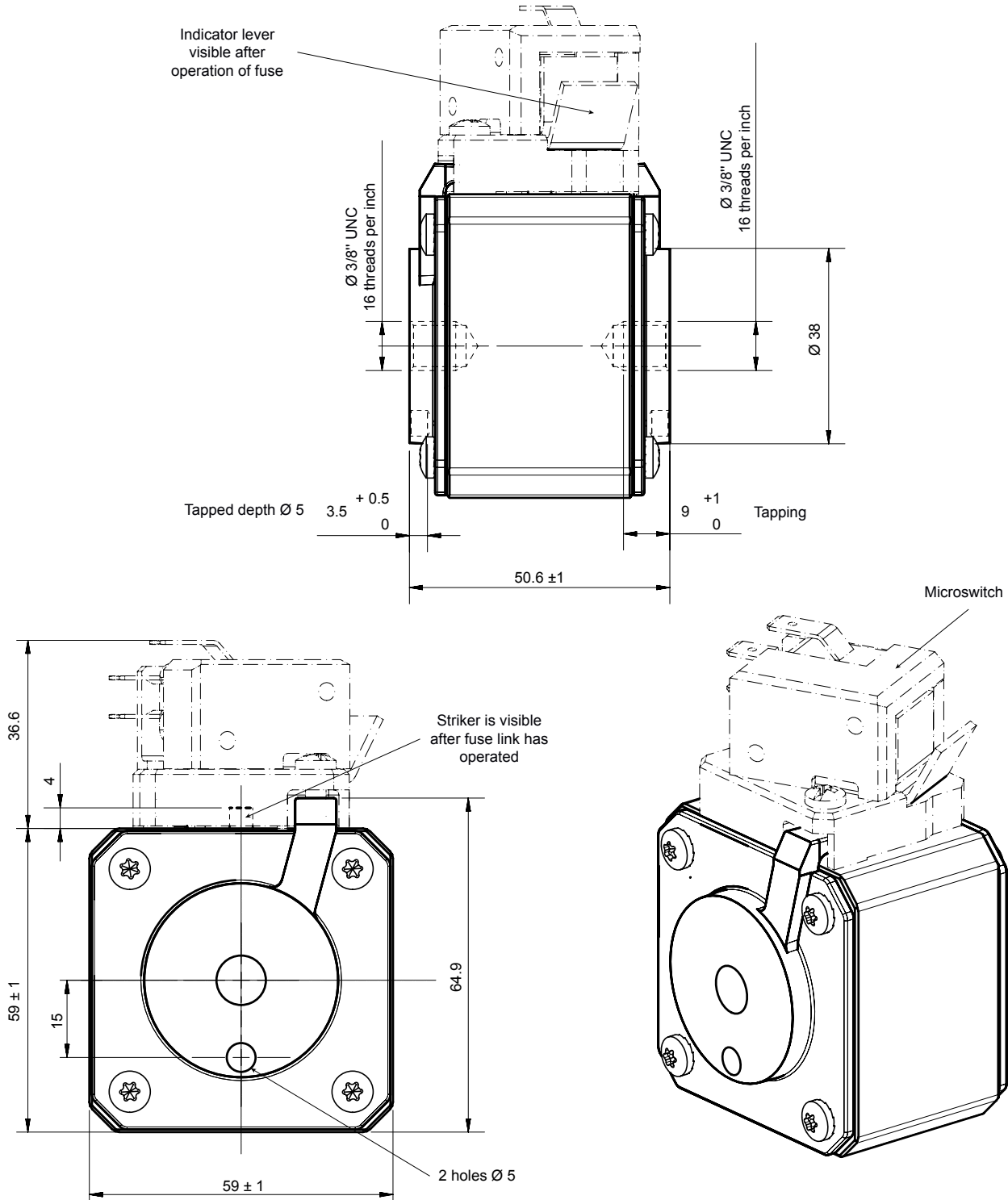
Mersen products have been designed by Mersen for a range of specific applications to be operated depending on particular specification and conditions. Mersen makes no representation or/and warranty, and waives any liability, either express or implied, for products' reliability and life time or technical performance in case Mersen has not been provided with customer's specifications or if the products are not purchased directly from Mersen or its distributors and/or agents.

Protistor® size 32 aR

450 to 690VAC (IEC) / 700VAC (UL)

DIMENSIONS

Size 32 type TTI (107302)



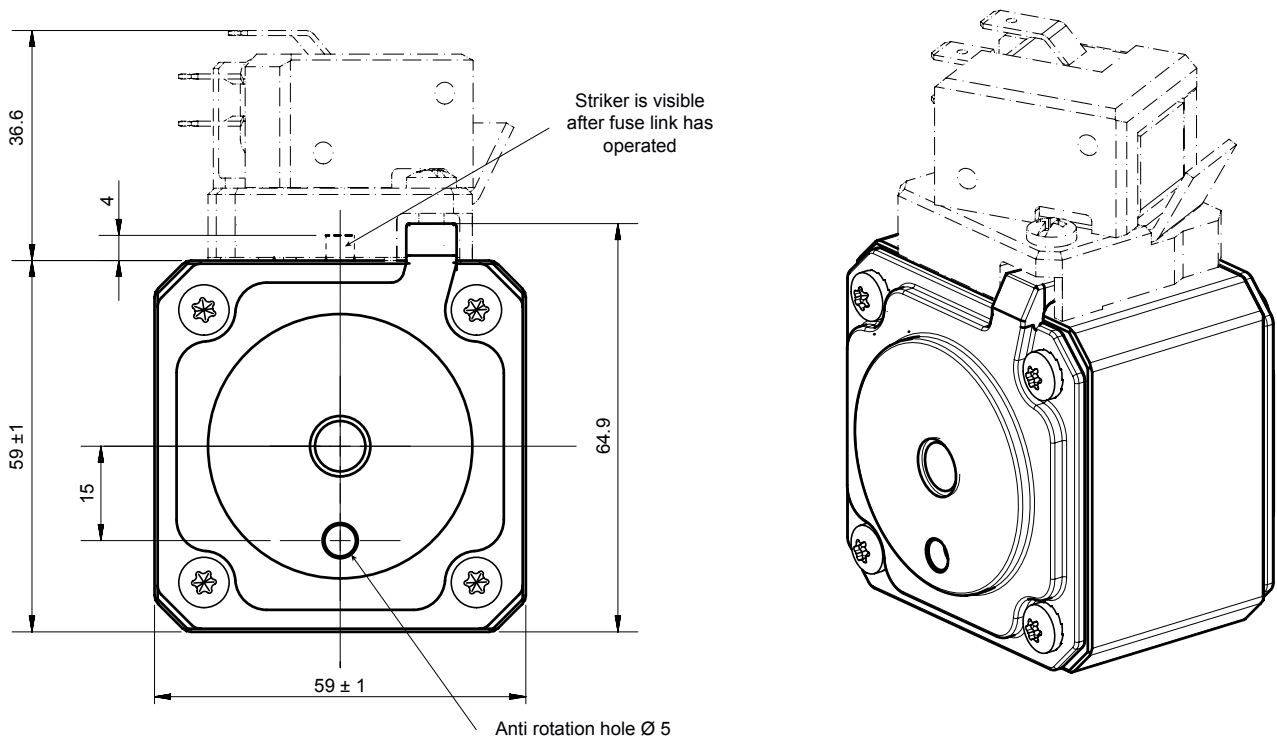
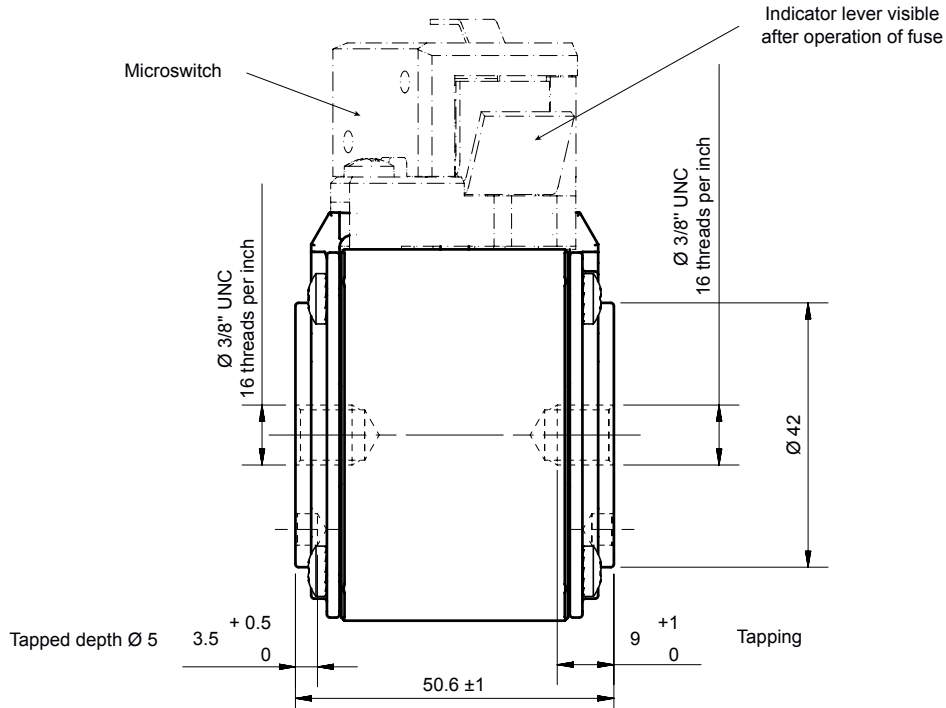
Dimensions in mm

Protistor® size 32 aR

450 to 690VAC (IEC) / 700VAC (UL)

DIMENSIONS

Size 32 type TTI reinforced (108833)



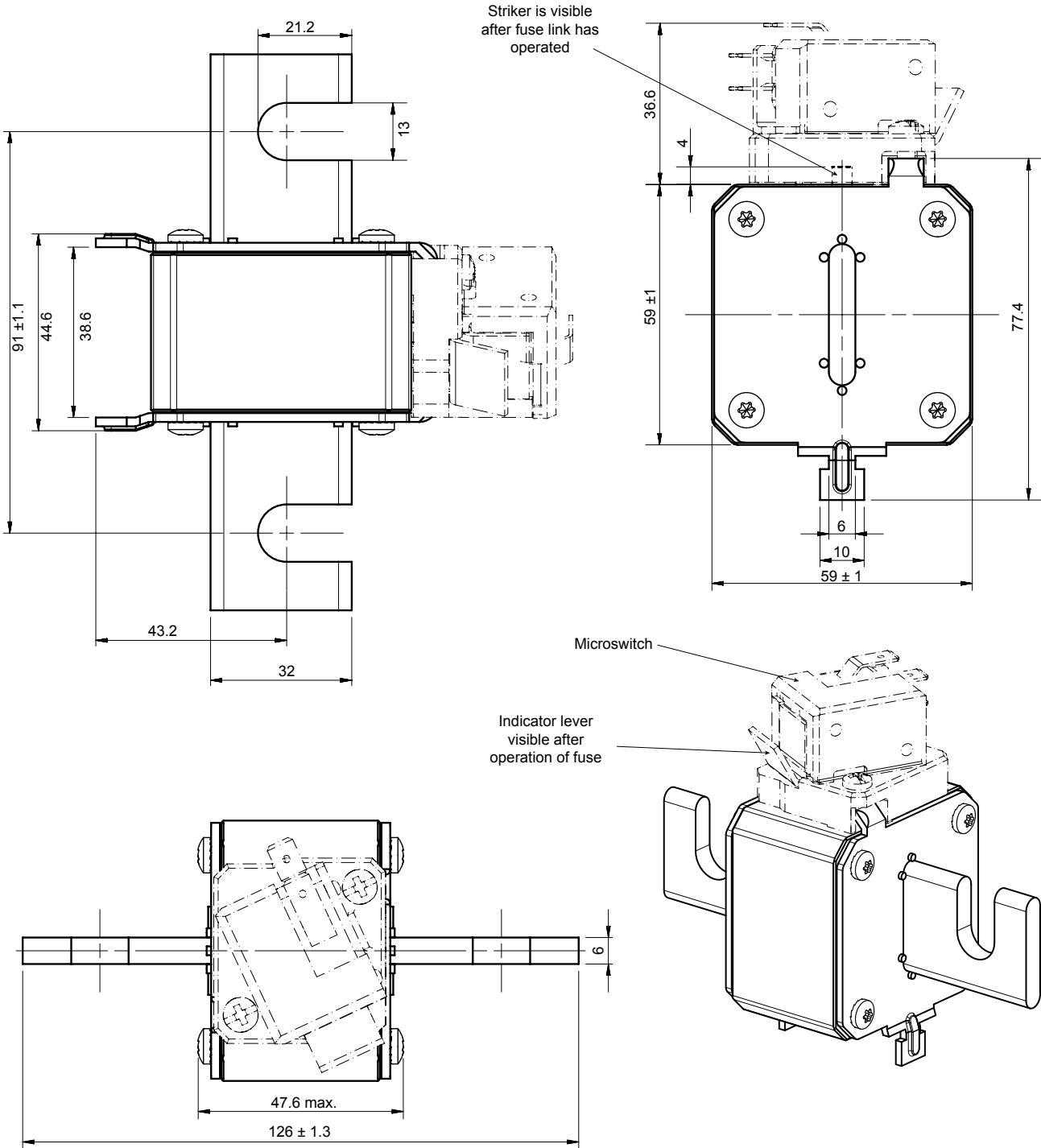
Dimensions in mm

Protistor® size 32 aR

450 to 690VAC (IEC) / 700VAC (UL)

DIMENSIONS

Size 32 type EF (102924)



Dimensions in mm

Mersen products have been designed by Mersen for a range of specific applications to be operated depending on particular specification and conditions. Mersen makes no representation or/and warranty, and waives any liability, either express or implied, for products' reliability and life time or technical performance in case Mersen has not been provided with customer's specifications or if the products are not purchased directly from Mersen or its distributors and/or agents.

Protistor® size 32 aR

450 to 690VAC (IEC) / 700VAC (UL)

APPENDIX

Index

Catalog number	Item number	Description 1	Page
PC32UD69V315TF	M302162	6,9 URD 32 TT F 0315	2
PC32UD69V350TF	N302163	6,9 URD 32 TT F 0350	2
PC32UD69V400TF	H300065	6,9 URD 32 TT F 0400	2
PC32UD69V450TF	J300066	6,9 URD 32 TT F 0450	2
PC32UD69V500TF	K300067	6,9 URD 32 TT F 0500	2
PC32UD69V550TF	L300068	6,9 URD 32 TT F 0550	2
PC32UD69V630TF	M300069	6,9 URD 32 TT F 0630	2
PC32UD69V700TF	N300070	6,9 URD 32 TT F 0700	2
PC32UD69V800TF	P300071	6,9 URD 32 TT F 0800	2
PC32UD69V900TF	Q300072	6,9 URD 32 TT F 0900	2
PC32UD69V1000TF	S300074	6,9 URD 32 TT F 1000	2
PC32UD60V1100TF	M300759	6 URD 32 TT F 1100	2
PC32UD55V1250TF	P301060	5,5 URD 32 TT F 1250	2
PC32UD50V1400TF	Q301061	5 URD 32 TT F 1400	2
PC32UD50V1600TF	H300893	5 URD 32 TT F 1600	2
PC32UD45V1800TF	R301062	4,5 URD 32 TT F 1800	2
A070UD32TTI400	Q300463	A 070 URD 32 TTI 0400	2
A070UD32TTI450	N300461	A 070 URD 32 TTI 0450	2
A070UD32TTI500	P300462	A 070 URD 32 TTI 0500	2
A070UD32TTI550	R300464	A 070 URD 32 TTI 0550	2
A070UD32TTI630	S300465	A 070 URD 32 TTI 0630	2
A070UD32TTI700	T300466	A 070 URD 32 TTI 0700	2
A070UD32TTI800	V300467	A 070 URD 32 TTI 0800	2
A070UD32TTI900	W300468	A 070 URD 32 TTI 0900	2
A070UD32TTI1000	X300469	A 070 URD 32 TTI 1000	2
A065UD32TTI1100	M301081	A 065 URD 32 TTI 1100	2
A060UD32TTI1250	N301082	A 060 URD 32 TTI 1250	2
A055UD32TTI1400	P301083	A 055 URD 32 TTI 1400	2
A055UD32TTI1600	Q301084	A 055 URD 32 TTI 1600	2
A050UD32TTI1800	R301085	A 050 URD 32 TTI 1800	2
PC32UD69V315A	H302158	6,9 URD 32 D08 A 0315	3
PC32UD69V350A	J302159	6,9 URD 32 D08 A 0350	3
PC32UD69V400A	E300177	6,9 URD 32 D08 A 0400	3
PC32UD69V450A	F300178	6,9 URD 32 D08 A 0450	3
PC32UD69V500A	G300179	6,9 URD 32 D08 A 0500	3
PC32UD69V550A	H300180	6,9 URD 32 D08 A 0550	3
PC32UD69V630A	J300181	6,9 URD 32 D08 A 0630	3
PC32UD69V700A	K300182	6,9 URD 32 D08 A 0700	3
PC32UD69V800A	L300183	6,9 URD 32 D08 A 0800	3
PC32UD69V900A	M300184	6,9 URD 32 D08 A 0900	3
PC32UD69V1000A	N300185	6,9 URD 32 D08 A 1000	3
PC32UD60V1100A	W302101	6 URD 32 D08 A 1100	3
PC32UD55V1250A	G300409	5,5 URD 32 D08 A 1250	3
PC32UD69V315D1A	K302160	6,9 URD 32 D11 A 0315	3
PC32UD69V350D1A	L302161	6,9 URD 32 D11 A 0350	3
PC32UD69V400D1A	P300186	6,9 URD 32 D11 A 0400	3
PC32UD69V450D1A	Q300187	6,9 URD 32 D11 A 0450	3
PC32UD69V500D1A	R300188	6,9 URD 32 D11 A 0500	3
PC32UD69V550D1A	S300189	6,9 URD 32 D11 A 0550	3
PC32UD69V630D1A	T300190	6,9 URD 32 D11 A 0630	3
PC32UD69V700D1A	V300191	6,9 URD 32 D11 A 0700	3
PC32UD69V800D1A	W300192	6,9 URD 32 D11 A 0800	3
PC32UD69V900D1A	X300193	6,9 URD 32 D11 A 0900	3
PC32UD69V10CD1A	Y300194	6,9 URD 32 D11 A 1000	3
A070UD32KI315	P302164	A 070 URD 32 KI 0315	4

Mersen products have been designed by Mersen for a range of specific applications to be operated depending on particular specification and conditions. Mersen makes no representation or/and warranty, and waives any liability, either express or implied for products' reliability and life time or technical performance in case Mersen has not been provided with customer's specifications or if the products are not purchased directly from Mersen or its distributors and/or agents.

Protistor® size 32 aR

450 to 690VAC (IEC) / 700VAC (UL)

APPENDIX

Index

Catalog number	Item number	Description 1	Page
A070UD32KI350	Q302165	A 070 URD 32 KI 0350	4
A070UD32KI400	Z300195	A 070 URD 32 KI 0400	4
A070UD32KI450	A300196	A 070 URD 32 KI 0450	4
A070UD32KI500	B300197	A 070 URD 32 KI 0500	4
A070UD32KI550	C300198	A 070 URD 32 KI 0550	4
A070UD32KI630	D300199	A 070 URD 32 KI 0630	4
A070UD32KI700	E300200	A 070 URD 32 KI 0700	4
A070UD32KI800	F300201	A 070 URD 32 KI 0800	4
A070UD32KI900	G300202	A 070 URD 32 KI 0900	4
A070UD32KI1000	H300203	A 070 URD 32 KI 1000	4
A070UD32LI315	R302166	A 070 URD 32 LI 0315	4
A070UD32LI350	S302167	A 070 URD 32 LI 0350	4
A070UD32LI400	J300204	A 070 URD 32 LI 0400	4
A070UD32LI450	K300205	A 070 URD 32 LI 0450	4
A070UD32LI500	L300206	A 070 URD 32 LI 0500	4
A070UD32LI550	M300207	A 070 URD 32 LI 0550	4
A070UD32LI630	N300208	A 070 URD 32 LI 0630	4
A070UD32LI700	P300209	A 070 URD 32 LI 0700	4
A070UD32LI800	Q300210	A 070 URD 32 LI 0800	4
A070UD32LI900	R300211	A 070 URD 32 LI 0900	4
A070UD32LI1000	S300212	A 070 URD 32 LI 1000	4
A065UD32LI1100	B301071	A 065 URD 32 LI 1100	4
A060UD32LI1250	C301072	A 060 URD 32 LI 1250	4
A055UD32LI1400	D301073	A 055 URD 32 LI 1400	4
PC32UD69V400EF	V300168	6,9 URD 32 E F 0400	5
PC32UD69V450EF	W300169	6,9 URD 32 E F 0450	5
PC32UD69V500EF	X300170	6,9 URD 32 E F 0500	5
PC32UD69V550EF	Y300171	6,9 URD 32 E F 0550	5
PC32UD69V630EF	Z300172	6,9 URD 32 E F 0630	5
PC32UD69V700EF	A300173	6,9 URD 32 E F 0700	5
PC32UD69V800EF	B300174	6,9 URD 32 E F 0800	5
PC32UD69V900EF	C300175	6,9 URD 32 E F 0900	5
PC32UD69V1000EF	D300176	6,9 URD 32 E F 1000	5

Mersen products have been designed by Mersen for a range of specific applications to be operated depending on particular specification and conditions. Mersen makes no representation or/and warranty, and waives any liability, either express or implied for products' reliability and life time or technical performance in case Mersen has not been provided with customer's specifications or if the products are not purchased directly from Mersen or its distributors and/or agents.