

Protistor® size 71 aR

750 to 1250VAC (IEC) / 1300VAC (UL)

SEMICONDUCTOR PROTECTION FUSES

SQUARE BODY HIGH-SPEED FUSE-LINKS AC PROTECTION



These 1250/1300V Protistor® fuse-links provide maximum flexibility in equipment design and ultimate protection for today's power conversion equipment. These aR ultra-fast acting square body fuse-links are available in different body sizes, each size having multiple worldwide acceptable mounting styles.

The Protistor® have been engineered to provide state-of-the-art protection for semiconductors: diodes, thyristors and IGBT devices. Fuses are assembled with die-cut elements embedded in solidified sand, which helps control arcing characteristics for a lower I^2t and high interrupting rating level. All contact surfaces are silver plated and all hardware is non-magnetic.

All fuse-links can be equipped with a low voltage trip-indicator which can operate a field mountable microswitch.

TECHNICAL DATA OVERVIEW

Voltage Range AC	750 ... 1250 VAC
Ampere Range (A)	160 ... 900 A
Speed/Characteristic	aR
I.R. AC	100 ... 150 kA
Product Size	71

FEATURES & BENEFITS

- Multiple body sizes and terminals or blades combination
- aR Class according to IEC 60269-4 and VDE 636-23
- Very low I^2t for improved semiconductor protection
- Ultra fast acting
- Current limiting
- Superior cycling capability

APPLICATIONS

- Protection of inverters, motor drives, UPS systems and similar 690V or less equipments.

STANDARDS

- IEC 60269-4 Compliance
- UL/CSA Recognized E76491 (For some items)
- CCC GB 13539.4



Protistor® size 71 aR

750 to 1250VAC (IEC) / 1300VAC (UL)

PRODUCT RANGE



PC71UD13C450TF

Size 71 type TTF M8 threaded terminals

Catalog number	Item number	Rated voltage AC (IEC)	Rated voltage AC (UL)	Rated current I _n	Pre-arcing I ² t	Clearing I ² t at Rated Voltage	Rated breaking capacity AC	Power dissipation at I _n	UL certified	Package	Weight
PC71UD13C160TF	B300749	1250 V	1300 V	160 A	2.6 kA ² s	21 kA ² s	126 kA	46 W	x	3	0.52 kg
PC71UD13C200TF	Z300517	1250 V	1300 V	200 A	4.7 kA ² s	38 kA ² s	126 kA	54 W	x	3	0.52 kg
PC71UD13C250TF	A300518	1250 V	1300 V	250 A	8.9 kA ² s	72 kA ² s	126 kA	61 W	x	3	0.52 kg
PC71UD13C280TF	P300715	1250 V	1300 V	280 A	12 kA ² s	96 kA ² s	126 kA	68 W	x	3	0.52 kg
PC71UD13C315TF	B300519	1250 V	1300 V	315 A	16 kA ² s	129 kA ² s	126 kA	73 W	x	3	0.52 kg
PC71UD13C350TF	C300520	1250 V	1300 V	350 A	22 kA ² s	178 kA ² s	126 kA	76 W	x	3	0.52 kg
PC71UD13C400TF	D300521	1250 V	1300 V	400 A	38 kA ² s	308 kA ² s	126 kA	76 W	x	3	0.52 kg
PC71UD13C450TF	E300522	1250 V	1300 V	450 A	47.2 kA ² s	378 kA ² s	126 kA	87 W	x	3	0.52 kg
PC71UD11C500TF	F300523	1100 V	1200 V	500 A	68 kA ² s	441 kA ² s	150 kA	90 W	x	3	0.52 kg
PC71UD11C550TF	G300524	1100 V	1200 V	550 A	84 kA ² s	548 kA ² s	150 kA	98 W	x	3	0.52 kg
PC71UD11C630TF	H300525	1000 V	1100 V	630 A	126 kA ² s	725 kA ² s	150 kA	105 W	x	3	0.52 kg
PC71UD10C700TF	M301288	1000 V	1100 V	700 A	180 kA ² s	1040 kA ² s	150 kA	105 W	x	3	0.52 kg
PC71UD90V800TF	Z300862	900 V	950 V	800 A	290 kA ² s	1540 kA ² s	150 kA	116 W	-	3	0.52 kg
PC71UD80V900TF	N301289	800 V	850 V	900 A	446 kA ² s	2010 kA ² s	150 kA	100 W	x	3	0.52 kg
PC71UD75V10CTF	R301292	750 V	800 V	1000 A	556 kA ² s	2310 kA ² s	150 kA	129 W	-	3	0.52 kg



A130UD71TTI450

Size 71 type TTI 5/16in - 18 unified coarse threaded terminals

Catalog number	Item number	Rated voltage AC (IEC)	Rated voltage AC (UL)	Rated current I _n	Pre-arcing I ² t	Clearing I ² t at Rated Voltage	Rated breaking capacity AC	Power dissipation at I _n	UL certified	Package	Weight
A130UD71TTI160	B301025	1250 V	1300 V	160 A	2.6 kA ² s	21 kA ² s	126 kA	46 W	x	3	0.5 kg
A130UD71TTI200	C301026	1250 V	1300 V	200 A	4.7 kA ² s	38 kA ² s	126 kA	54 W	x	3	0.5 kg
A130UD71TTI250	D301027	1250 V	1300 V	250 A	8.9 kA ² s	72 kA ² s	126 kA	61 W	x	3	0.5 kg
A130UD71TTI280	E301028	1250 V	1300 V	280 A	12 kA ² s	96 kA ² s	126 kA	68 W	x	3	0.5 kg
A130UD71TTI315	F301029	1250 V	1300 V	315 A	16 kA ² s	129 kA ² s	126 kA	73 W	x	3	0.5 kg
A130UD71TTI350	G301030	1250 V	1300 V	350 A	22 kA ² s	178 kA ² s	126 kA	76 W	x	3	0.5 kg
A120UD71TTI550	L301034	1100 V	1200 V	550 A	84 kA ² s	548 kA ² s	150 kA	98 W	x	3	0.5 kg
A120UD71TTI630	M301035	1000 V	1100 V	630 A	126 kA ² s	820 kA ² s	126 kA	105 W	x	3	0.5 kg
A130UD71TTI400	H301031	1250 V	1300 V	400 A	38 kA ² s	308 kA ² s	126 kA	76 W	x	3	0.5 kg
A130UD71TTI450	J301032	1250 V	1300 V	450 A	47 kA ² s	378 kA ² s	126 kA	87 W	x	3	0.5 kg
A130UD71TTI500	K301033	1100 V	1200 V	500 A	68 kA ² s	441 kA ² s	150 kA	90 W	x	3	0.5 kg

Protistor® size 71 aR

750 to 1250VAC (IEC) / 1300VAC (UL)

PRODUCT RANGE



PC71UD11C500D1A

Size 71 type DIN110 blades

Catalog number	Item number	Rated voltage AC (IEC)	Rated voltage AC (UL)	Rated current I _n	Pre-arcing I ² t	Clearing I ² t at Rated Voltage	Rated breaking capacity AC	Power dissipation at I _n	UL certified	Package	Weight
PC71UD13C160D1A	D300751	1250 V	1300 V	160 A	2.6 kA ² s	21 kA ² s	126 kA	46 W	x	3	0.52 kg
PC71UD13C200D1A	E300545	1250 V	1300 V	200 A	4.7 kA ² s	38 kA ² s	126 kA	54 W	x	3	0.52 kg
PC71UD13C250D1A	F300546	1250 V	1300 V	250 A	8.9 kA ² s	72 kA ² s	126 kA	61 W	x	3	0.52 kg
PC71UD10C630D1A	N300553	1000 V	1100 V	630 A	125 kA ² s	725 kA ² s	167 kA	120 W	x	3	0.52 kg
PC71UD13C280D1A	K300711	1250 V	1300 V	280 A	12 kA ² s	96 kA ² s	126 kA	70 W	x	3	0.52 kg
PC71UD13C315D1A	G300547	1250 V	1300 V	315 A	16 kA ² s	129 kA ² s	126 kA	76 W	x	3	0.52 kg
PC71UD13C350D1A	H300548	1250 V	1300 V	350 A	22 kA ² s	178 kA ² s	126 kA	80 W	x	3	0.52 kg
PC71UD13C400D1A	J300549	1250 V	1300 V	400 A	38 kA ² s	308 kA ² s	126 kA	80 W	x	3	0.52 kg
PC71UD13C450D1A	K300550	1250 V	1300 V	450 A	47 kA ² s	378 kA ² s	126 kA	95 W	x	3	0.52 kg
PC71UD11C500D1A	L300551	1100 V	1200 V	500 A	68 kA ² s	441 kA ² s	150 kA	100 W	x	3	0.52 kg
PC71UD11C550D1A	M300552	1100 V	1200 V	550 A	84 kA ² s	548 kA ² s	150 kA	112 W	x	3	0.52 kg



A110UD71LLI630

Size 71 type LI slotted blades

Catalog number	Item number	Rated voltage AC (IEC)	Rated voltage AC (UL)	Rated current I _n	Pre-arcing I ² t	Clearing I ² t at Rated Voltage	Rated breaking capacity AC	Power dissipation at I _n	UL certified	Package	Weight
A130UD71LLI160	E300752	1250 V	1300 V	160 A	2.6 kA ² s	21 kA ² s	126 kA	46 W	x	3	0.54 kg
A130UD71LLI200	F300661	1250 V	1300 V	200 A	4.7 kA ² s	38 kA ² s	126 kA	54 W	x	3	0.54 kg
A130UD71LLI250	G300662	1250 V	1300 V	250 A	8.9 kA ² s	72 kA ² s	126 kA	61 W	x	3	0.54 kg
A130UD71LLI280	R300717	1250 V	1300 V	280 A	12 kA ² s	96 kA ² s	126 kA	70 W	x	3	0.54 kg
A130UD71LLI315	H300663	1250 V	1300 V	315 A	16 kA ² s	129 kA ² s	126 kA	76 W	x	3	0.54 kg
A130UD71LLI350	J300664	1250 V	1300 V	350 A	22 kA ² s	178 kA ² s	126 kA	80 W	x	3	0.54 kg
A130UD71LLI400	K300665	1250 V	1300 V	400 A	38 kA ² s	308 kA ² s	126 kA	80 W	x	3	0.54 kg
A130UD71LLI450	L300666	1250 V	1300 V	450 A	47 kA ² s	378 kA ² s	126 kA	95 W	x	3	0.54 kg
A120UD71LLI500	M300667	1100 V	1200 V	500 A	68 kA ² s	441 kA ² s	150 kA	100 W	x	3	0.54 kg
A120UD71LLI550	N300668	1100 V	1200 V	550 A	84 kA ² s	548 kA ² s	167 kA	112 W	x	3	0.54 kg
A110UD71LLI630	P300669	1000 V	1100 V	630 A	126 kA ² s	725 kA ² s	167 kA	120 W	x	3	0.54 kg

Mersen products have been designed by Mersen for a range of specific applications to be operated depending on particular specification and conditions. Mersen makes no representation or/and warranty, and waives any liability, either express or implied for products' reliability and life time or technical performance in case Mersen has not been provided with customer's specifications or if the products are not purchased directly from Mersen or its distributors and/or agents.

Protistor® size 71 aR

750 to 1250VAC (IEC) / 1300VAC (UL)

PRODUCT RANGE



PC71UD11C550EF

Size 71 type EF style notched blade connections

Catalog number	Item number	Rated voltage AC (IEC)	Rated voltage AC (UL)	Rated current I _n	Pre-arcing I ² t	Clearing I ² t at Rated Voltage	Rated breaking capacity AC	Power dissipation at I _n	UL certified	Package	Weight
PC71UD13C160EF	C300750	1250 V	1300 V	160 A	2.6 kA ² s	21 kA ² s	126 kA	46 W	x	3	0.54 kg
PC71UD13C200EF	Z300609	1250 V	1300 V	200 A	4.7 kA ² s	38 kA ² s	126 kA	54 W	x	3	0.54 kg
PC71UD13C250EF	A300610	1250 V	1300 V	250 A	8.9 kA ² s	72 kA ² s	126 kA	61 W	x	3	0.54 kg
PC71UD13C280EF	M300713	1250 V	1300 V	280 A	12 kA ² s	96 kA ² s	126 kA	70 W	x	3	0.54 kg
PC71UD10C630EF	H300617	1000 V	1100 V	630 A	126 kA ² s	725 kA ² s	167 kA	120 W	x	3	0.54 kg
PC71UD13C315EF	B300611	1250 V	1300 V	315 A	16 kA ² s	129 kA ² s	126 kA	76 W	x	3	0.54 kg
PC71UD13C350EF	C300612	1250 V	1300 V	350 A	22 kA ² s	178 kA ² s	126 kA	80 W	x	3	0.54 kg
PC71UD13C400EF	D300613	1250 V	1300 V	400 A	38 kA ² s	308 kA ² s	126 kA	80 W	x	3	0.54 kg
PC71UD13C450EF	E300614	1250 V	1300 V	450 A	47 kA ² s	378 kA ² s	126 kA	95 W	x	3	0.54 kg
PC71UD11C500EF	F300615	1100 V	1200 V	500 A	68 kA ² s	441 kA ² s	150 kA	100 W	x	3	0.54 kg
PC71UD11C550EF	G300616	1100 V	1200 V	550 A	84 kA ² s	548 kA ² s	167 kA	112 W	x	3	0.54 kg



PC71UD13C450PA

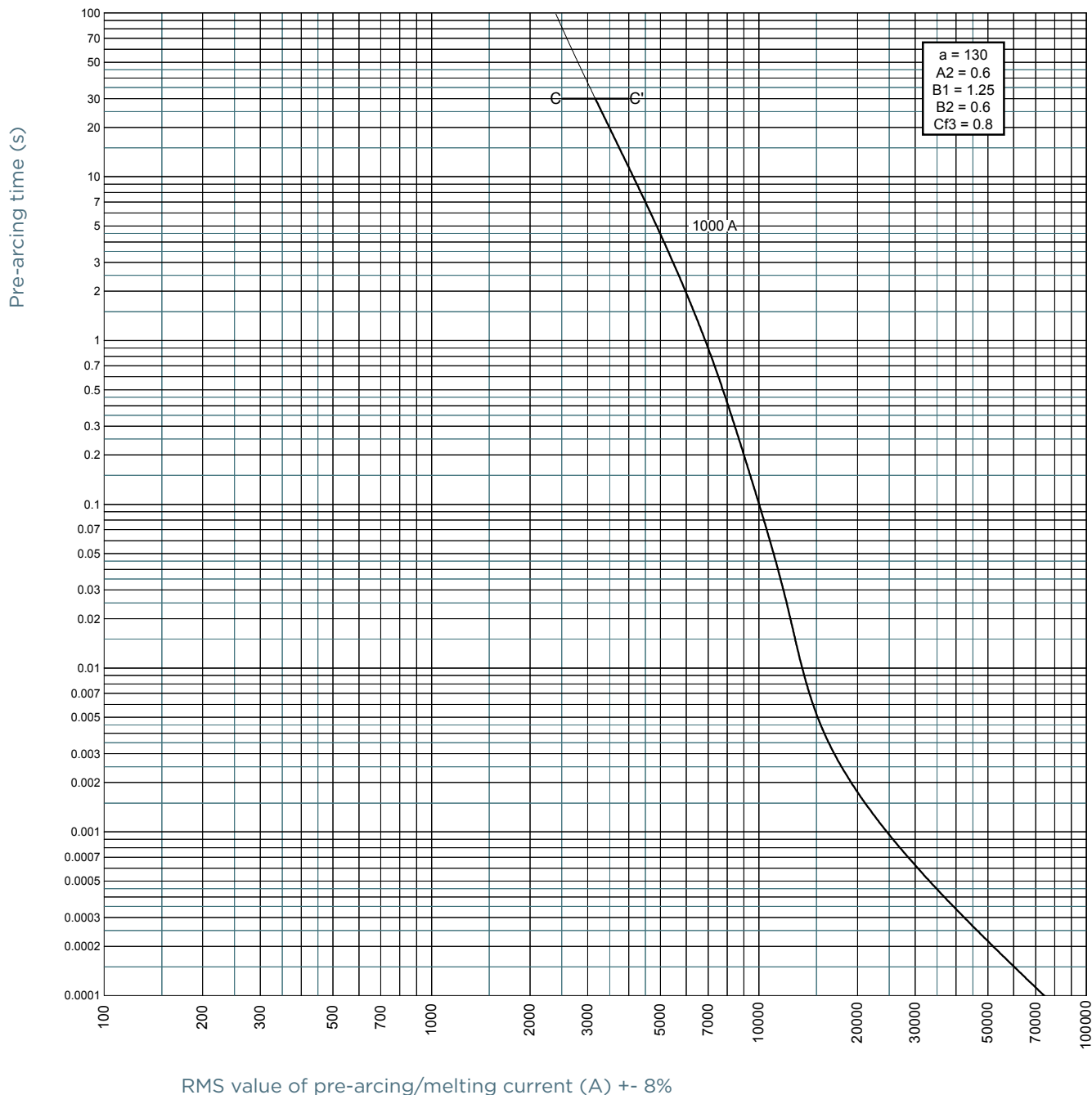
Size 71 type PA plain blades

Catalog number	Item number	Rated voltage AC (IEC)	Rated voltage AC (UL)	Rated current I _n	Pre-arcing I ² t	Clearing I ² t at Rated Voltage	Rated breaking capacity AC	Power dissipation at I _n	UL certified	Package	Weight
PC71UD13C160PA	M301219	1250 V	1300 V	160 A	2.6 kA ² s	21 kA ² s	126 kA	46 W	x	3	0.56 kg
PC71UD13C200PA	G301835	1250 V	1300 V	200 A	4.7 kA ² s	38 kA ² s	126 kA	54 W	x	3	0.56 kg
PC71UD13C250PA	B301163	1250 V	1300 V	250 A	8.9 kA ² s	72 kA ² s	126 kA	61 W	x	3	0.56 kg
PC71UD13C315PA	A300840	1250 V	1300 V	315 A	16 kA ² s	129 kA ² s	126 kA	76 W	x	3	0.56 kg
PC71UD13C350PA	H1000070	1250 V	1300 V	350 A	22 kA ² s	178 kA ² s	126 kA	80 W	x	3	0.56 kg
PC71UD13C400PA	Q301222	1250 V	1300 V	400 A	38 kA ² s	308 kA ² s	126 kA	80 W	x	3	0.56 kg
PC71UD13C450PA	W302975	1250 V	1300 V	450 A	47 kA ² s	378 kA ² s	126 kA	95 W	x	3	0.56 kg

Mersen products have been designed by Mersen for a range of specific applications to be operated depending on particular specification and conditions. Mersen makes no representation or/and warranty, and waives any liability, either express or implied for products' reliability and life time or technical performance in case Mersen has not been provided with customer's specifications or if the products are not purchased directly from Mersen or its distributors and/or agents.

TIME CURRENT CHARACTERISTIC CURVES

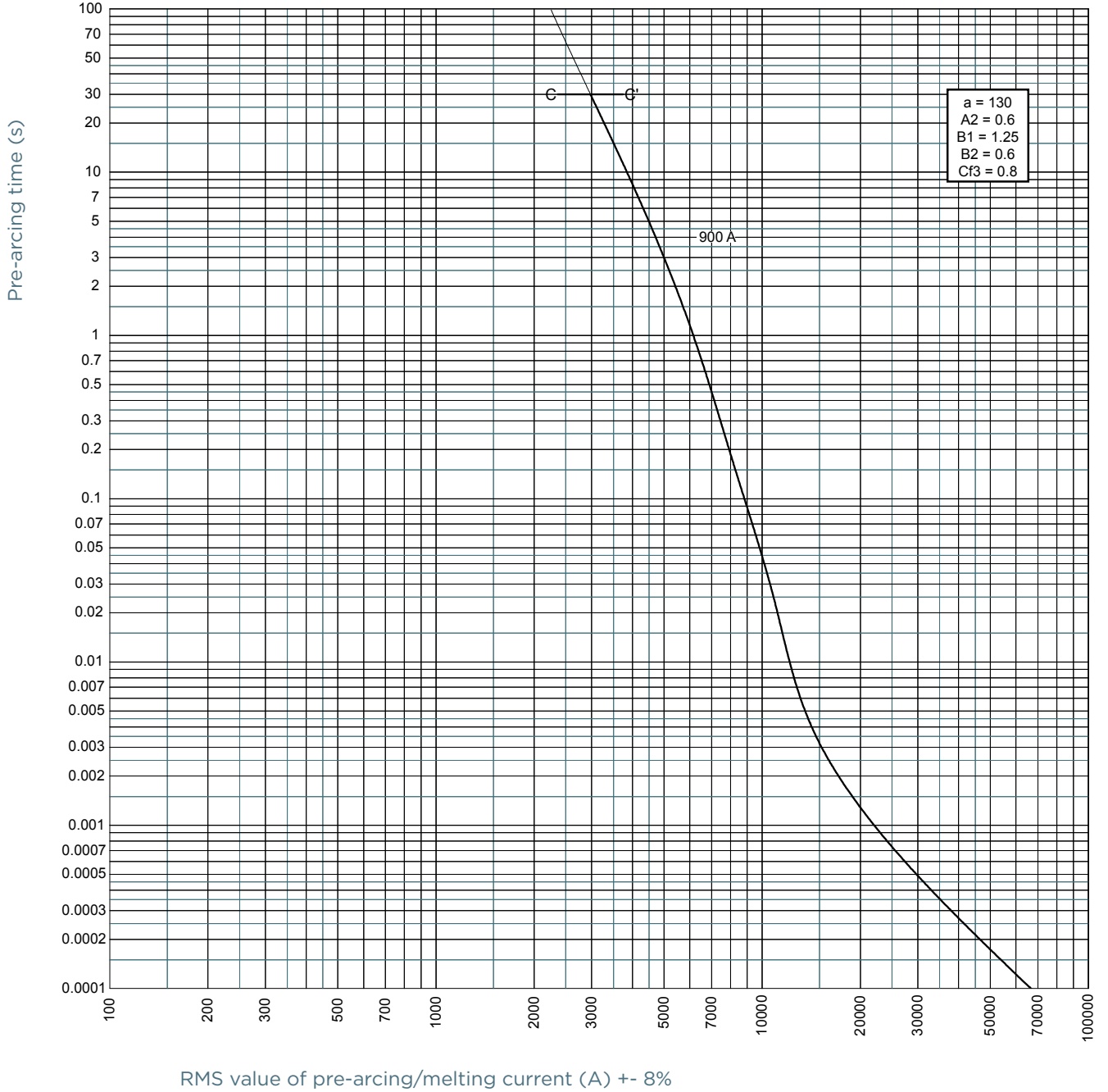
size 71 aR 750V 1000A



Mersen products have been designed by Mersen for a range of specific applications to be operated depending on particular specification and conditions. Mersen makes no representation or/and warranty, and waives any liability, either express or implied for products' reliability and life time or technical performance in case Mersen has not been provided with customer's specifications or if the products are not purchased directly from Mersen or its distributors and/or agents.

TIME CURRENT CHARACTERISTIC CURVES

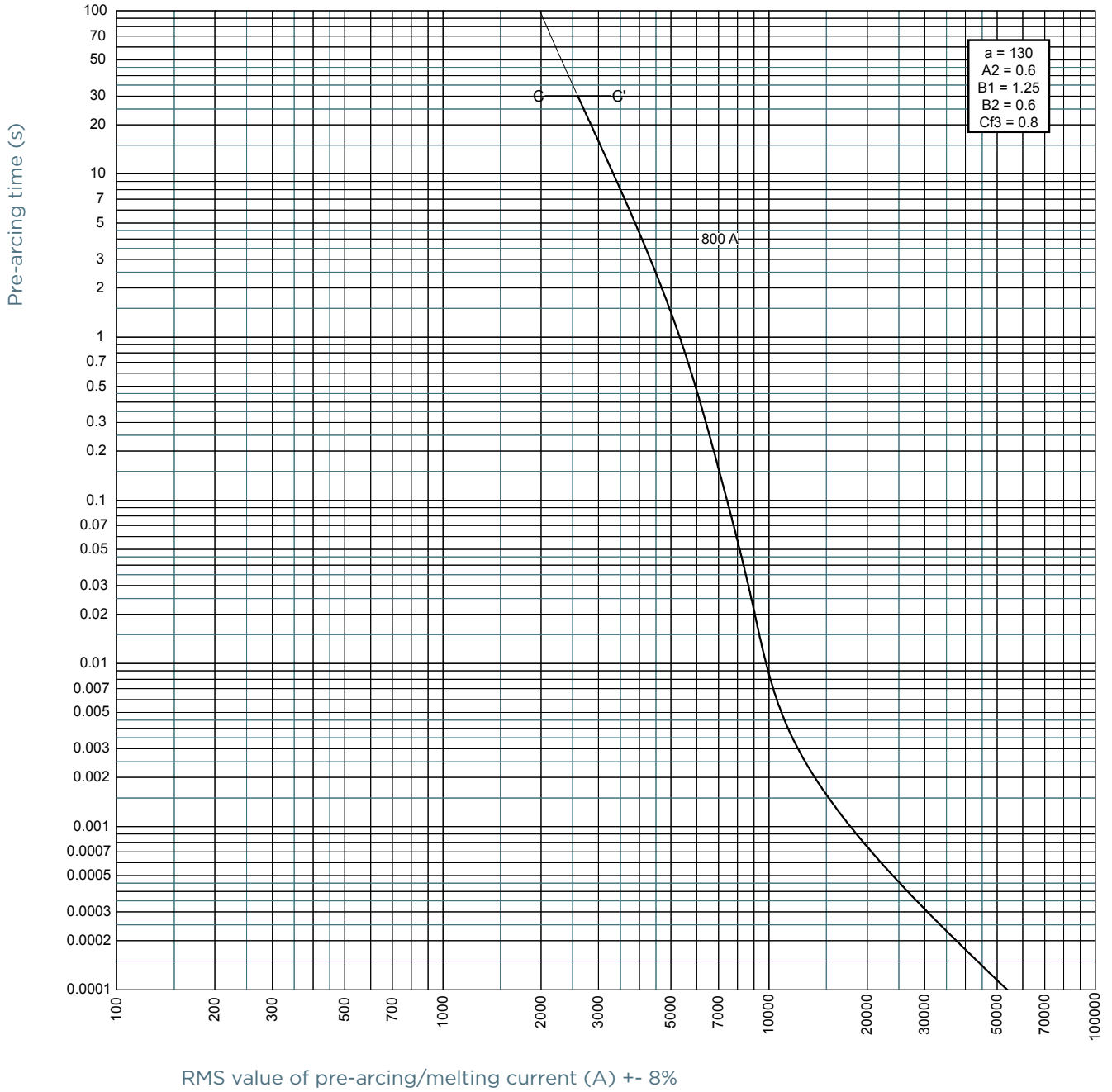
size 71 aR 800V 900A



Mersen products have been designed by Mersen for a range of specific applications to be operated depending on particular specification and conditions. Mersen makes no representation or/and warranty, and waives any liability, either express or implied for products' reliability and life time or technical performance in case Mersen has not been provided with customer's specifications or if the products are not purchased directly from Mersen or its distributors and/or agents.

TIME CURRENT CHARACTERISTIC CURVES

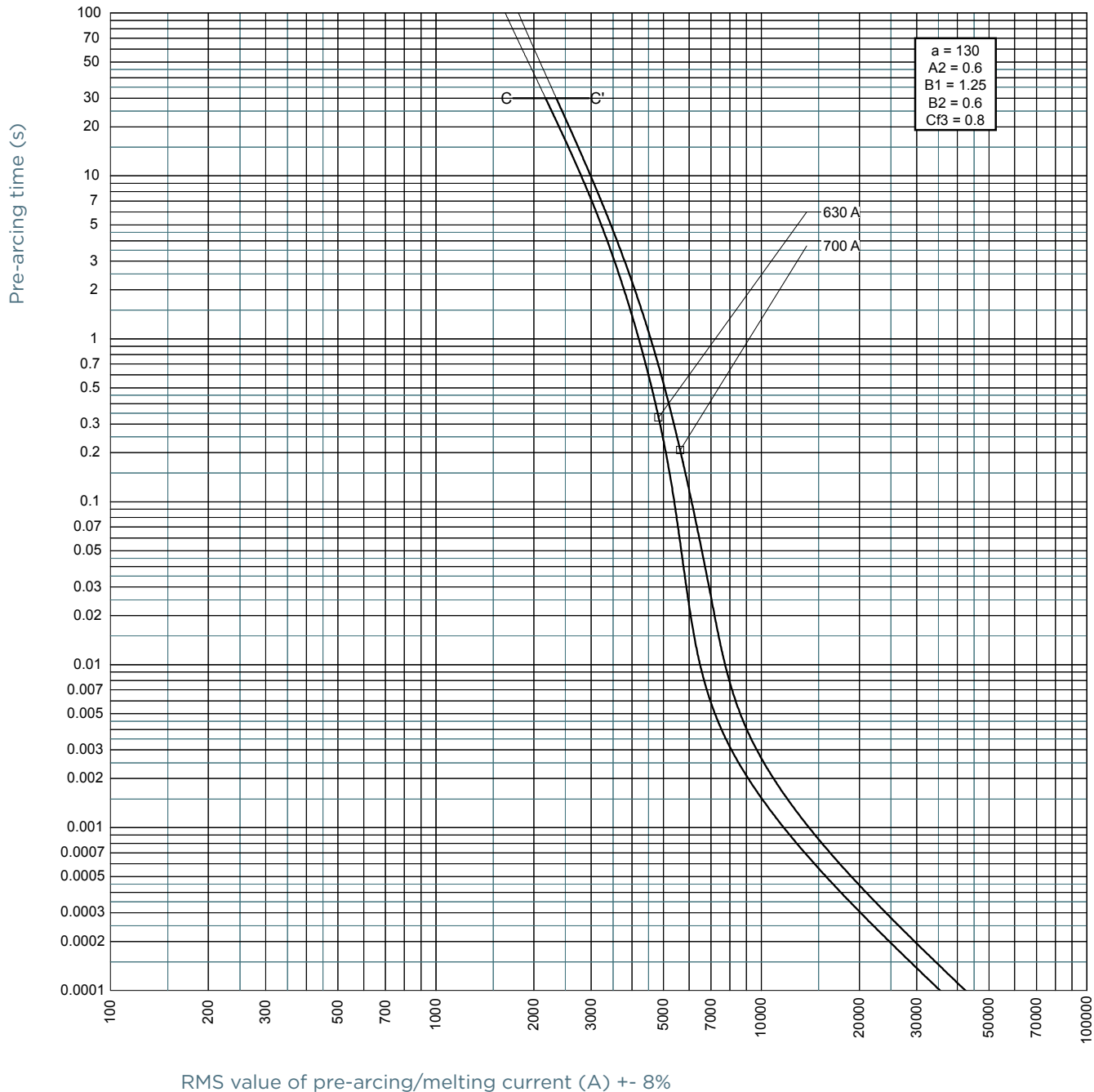
size 71 aR 900V 800A



Mersen products have been designed by Mersen for a range of specific applications to be operated depending on particular specification and conditions. Mersen makes no representation or/and warranty, and waives any liability, either express or implied for products' reliability and life time or technical performance in case Mersen has not been provided with customer's specifications or if the products are not purchased directly from Mersen or its distributors and/or agents.

TIME CURRENT CHARACTERISTIC CURVES

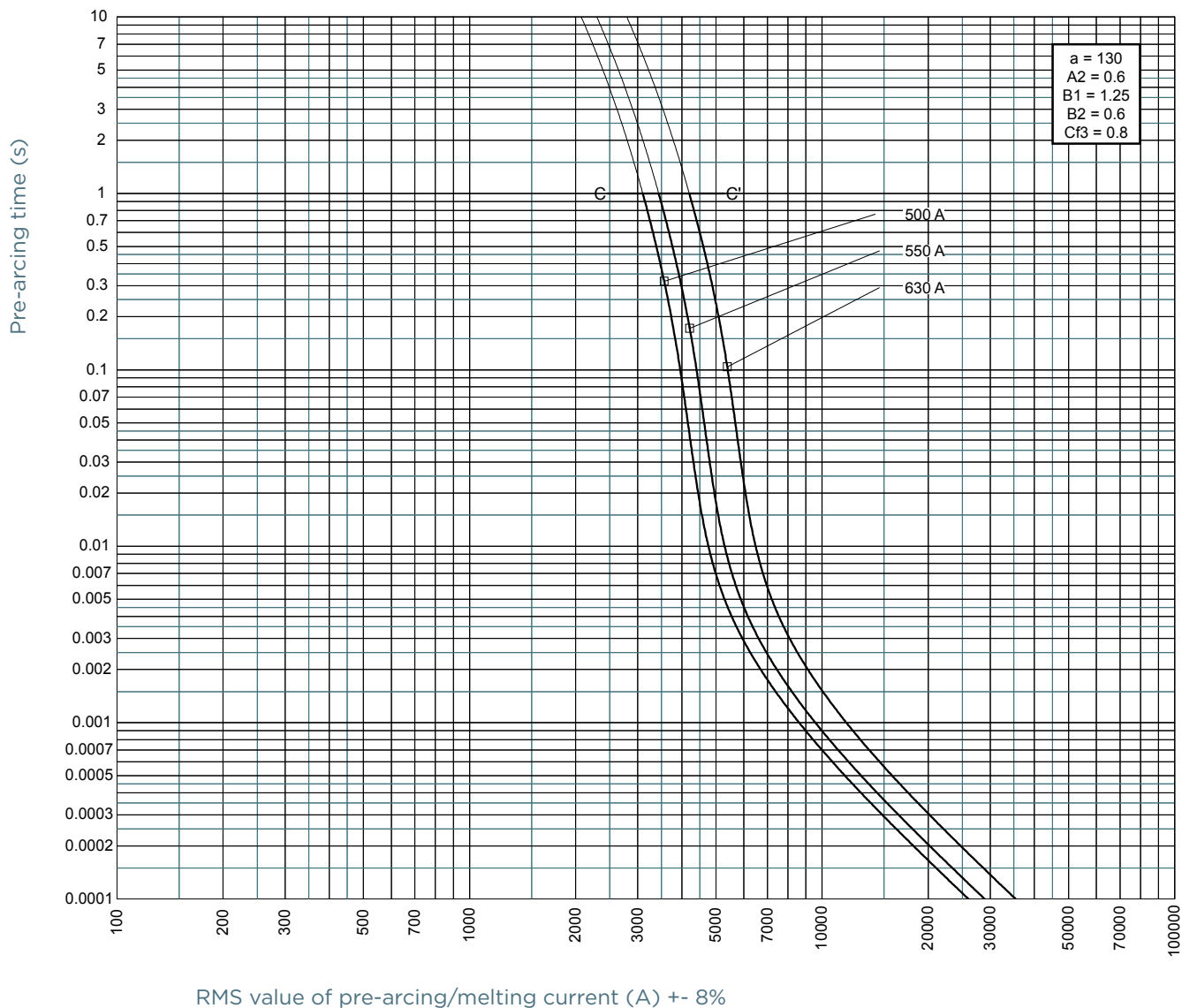
size 71 aR 1000V 630-700A



Mersen products have been designed by Mersen for a range of specific applications to be operated depending on particular specification and conditions. Mersen makes no representation or/and warranty, and waives any liability, either express or implied for products' reliability and life time or technical performance in case Mersen has not been provided with customer's specifications or if the products are not purchased directly from Mersen or its distributors and/or agents.

TIME CURRENT CHARACTERISTIC CURVES

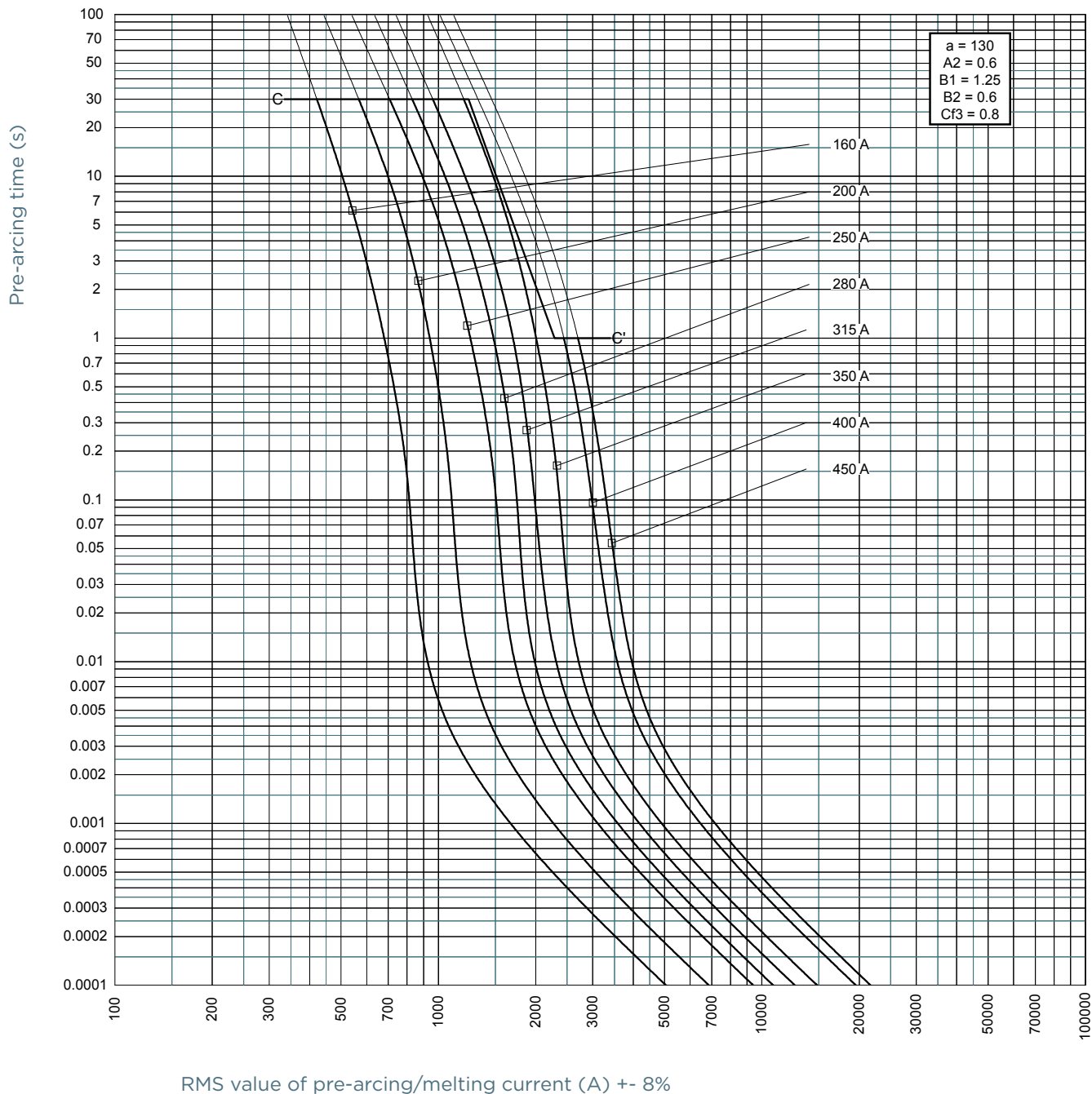
size 71 aR 1100V 500-630A



Mersen products have been designed by Mersen for a range of specific applications to be operated depending on particular specification and conditions. Mersen makes no representation or/and warranty, and waives any liability, either express or implied for products' reliability and life time or technical performance in case Mersen has not been provided with customer's specifications or if the products are not purchased directly from Mersen or its distributors and/or agents.

TIME CURRENT CHARACTERISTIC CURVES

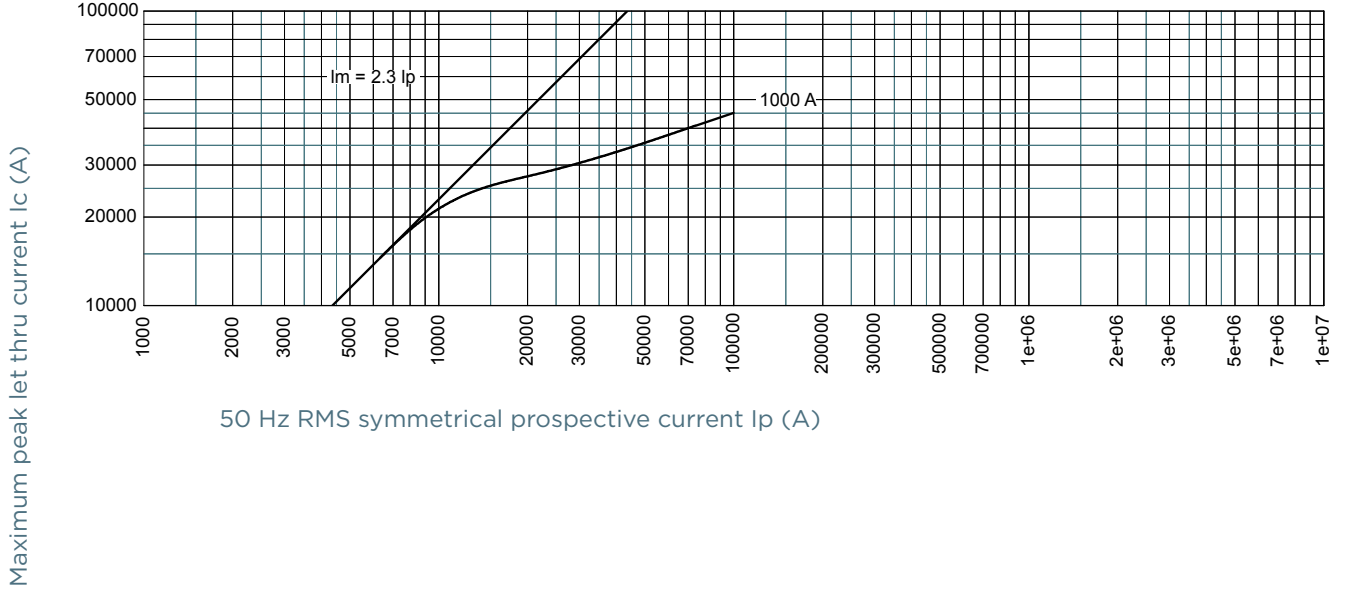
size 71 aR 1250V 160-450A



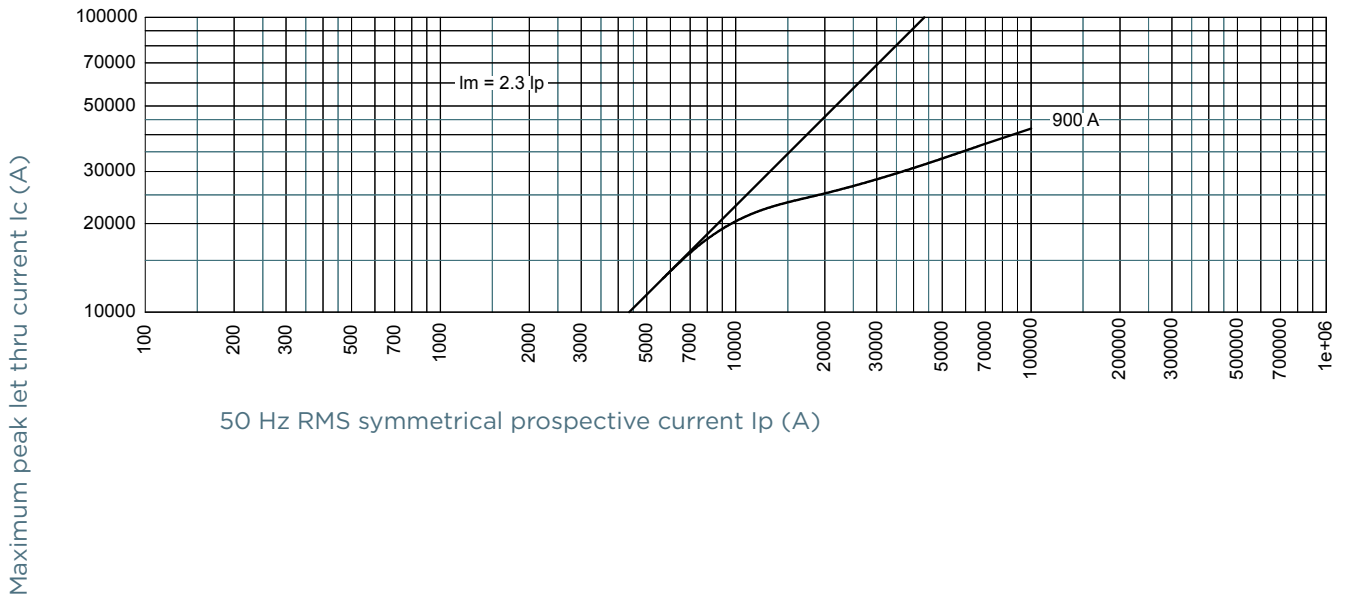
Mersen products have been designed by Mersen for a range of specific applications to be operated depending on particular specification and conditions. Mersen makes no representation or/and warranty, and waives any liability, either express or implied for products' reliability and life time or technical performance in case Mersen has not been provided with customer's specifications or if the products are not purchased directly from Mersen or its distributors and/or agents.

CUT-OFF CURRENT CHARACTERISTIC

size 71 aR 750V 1000A



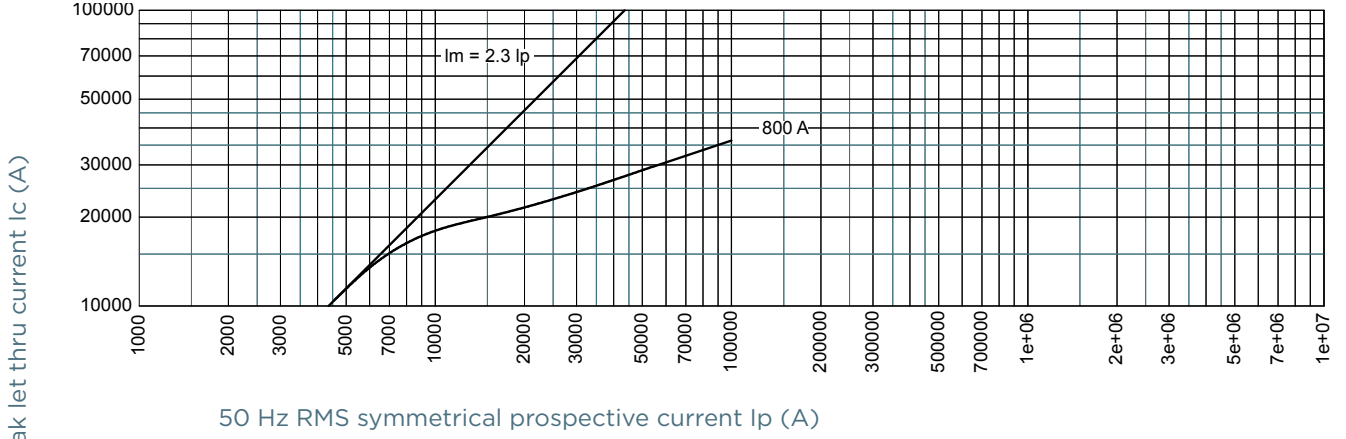
size 71 aR 800V 900A



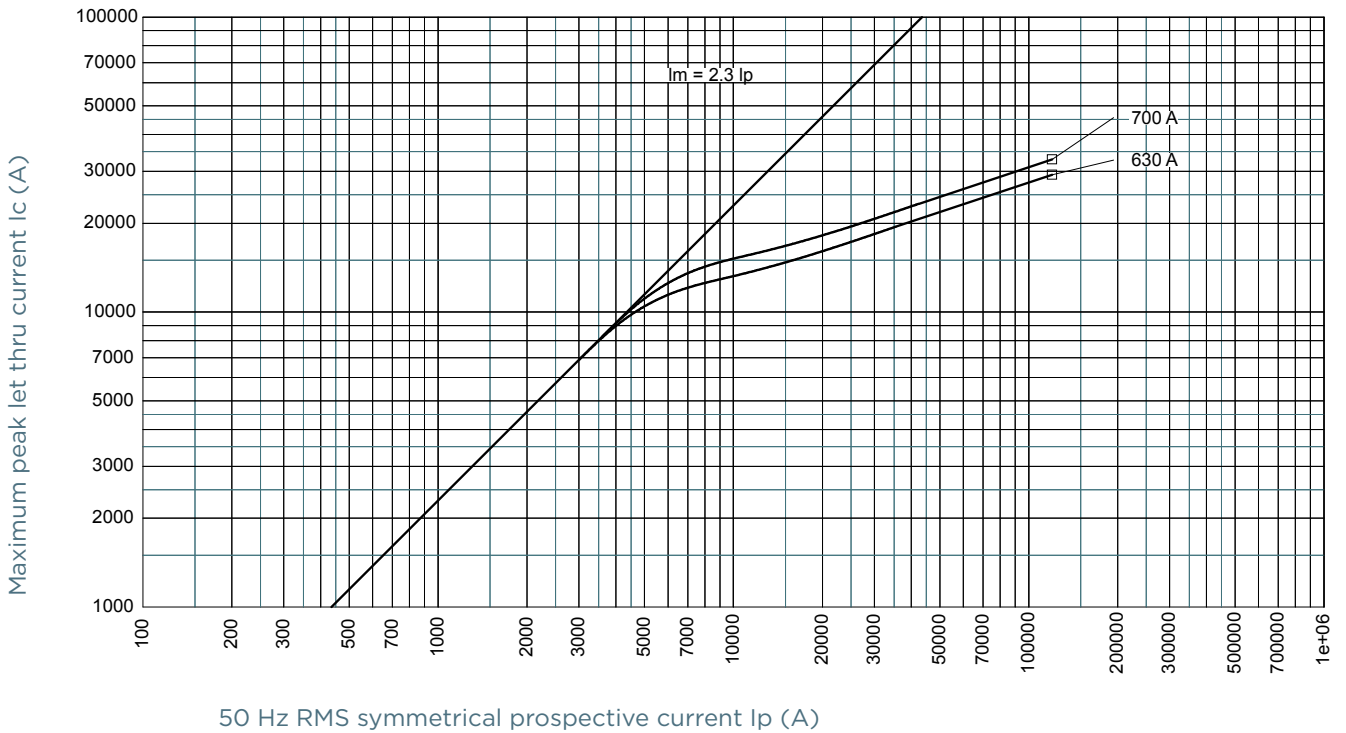
Mersen products have been designed by Mersen for a range of specific applications to be operated depending on particular specification and conditions. Mersen makes no representation or/and warranty, and waives any liability, either express or implied for products' reliability and life time or technical performance in case Mersen has not been provided with customer's specifications or if the products are not purchased directly from Mersen or its distributors and/or agents.

CUT-OFF CURRENT CHARACTERISTIC

size 71 aR 900V 800A



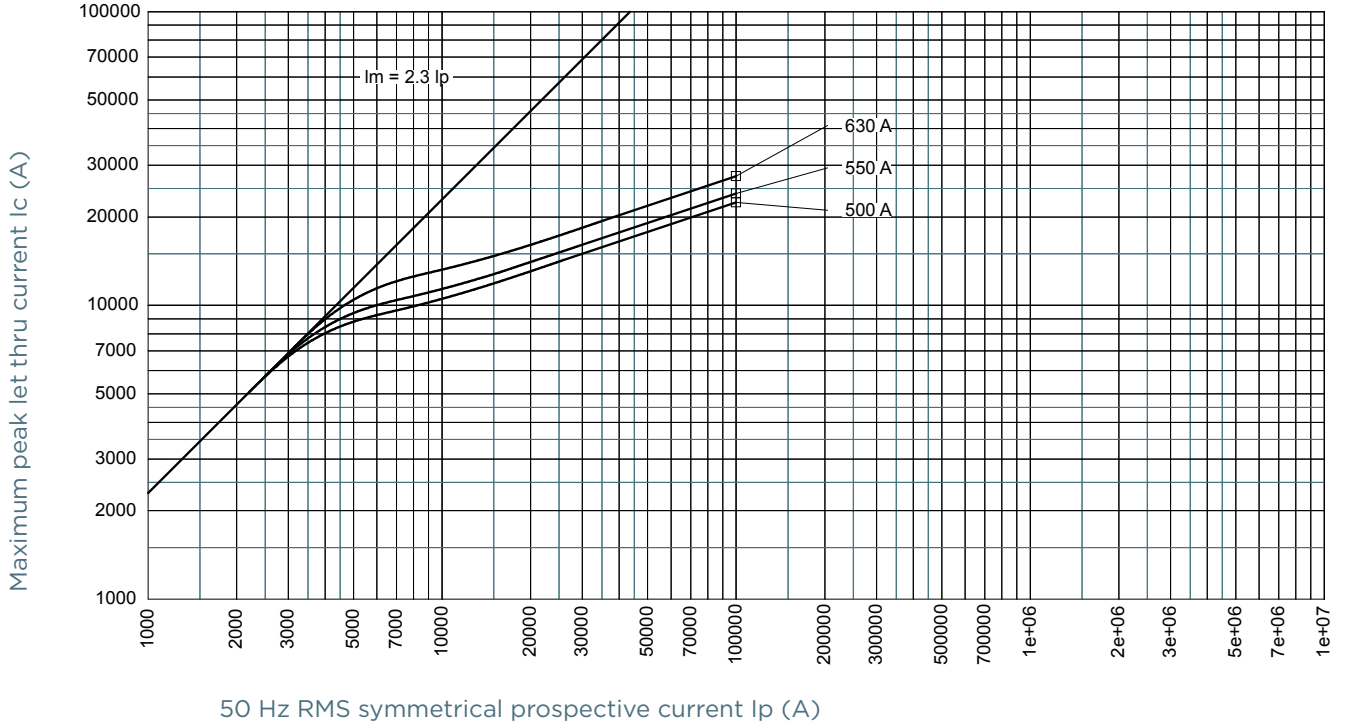
size 71 aR 1000V 630-700A



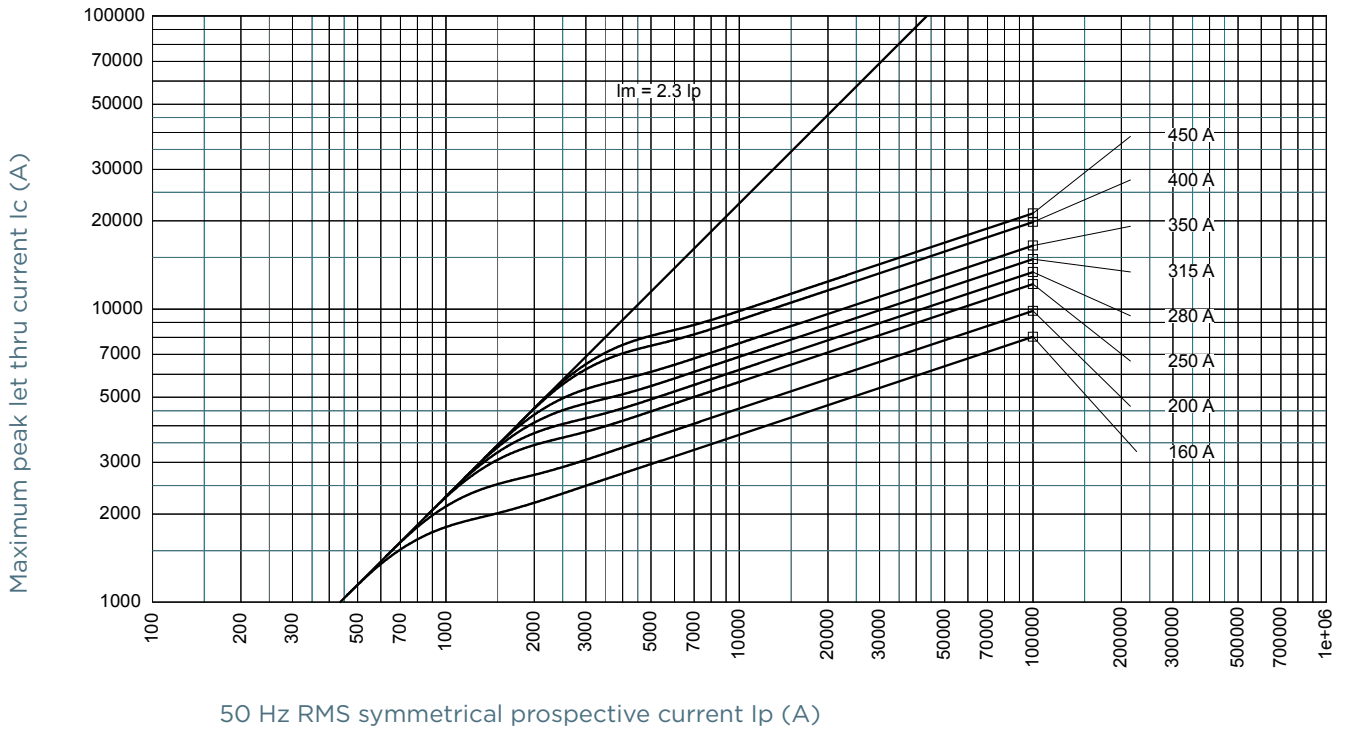
Mersen products have been designed by Mersen for a range of specific applications to be operated depending on particular specification and conditions. Mersen makes no representation or/and warranty, and waives any liability, either express or implied for products' reliability and life time or technical performance in case Mersen has not been provided with customer's specifications or if the products are not purchased directly from Mersen or its distributors and/or agents.

CUT-OFF CURRENT CHARACTERISTIC

size 71 aR 1100V 500-630A



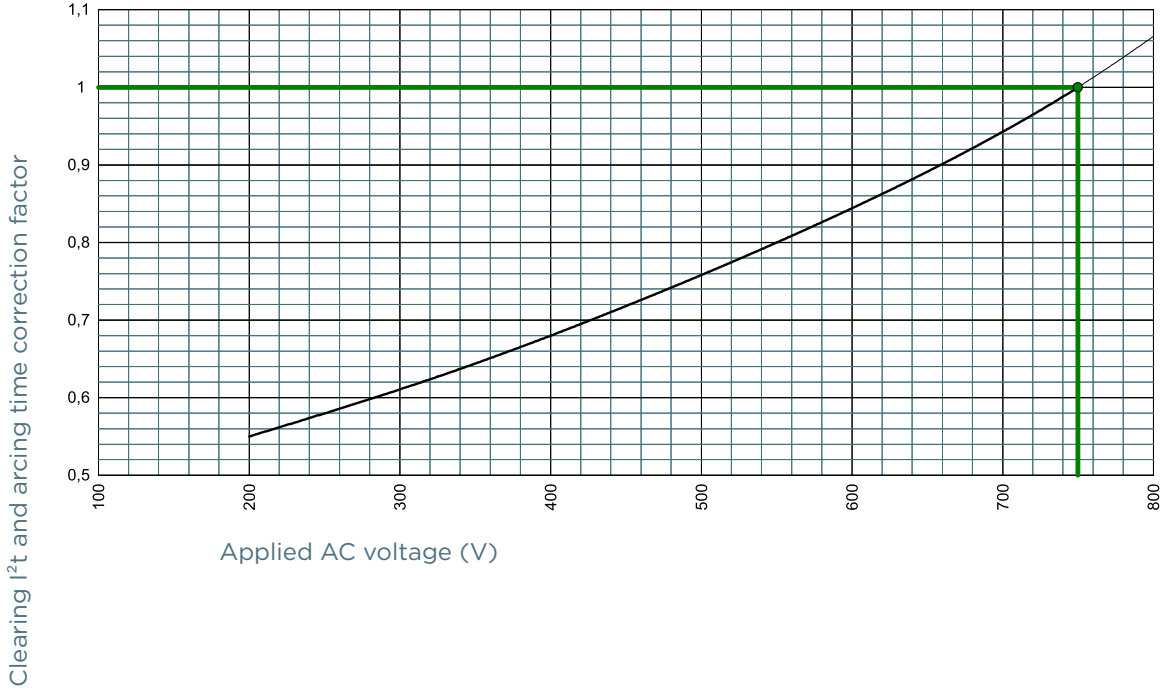
size 71 aR 1250V 160-450A



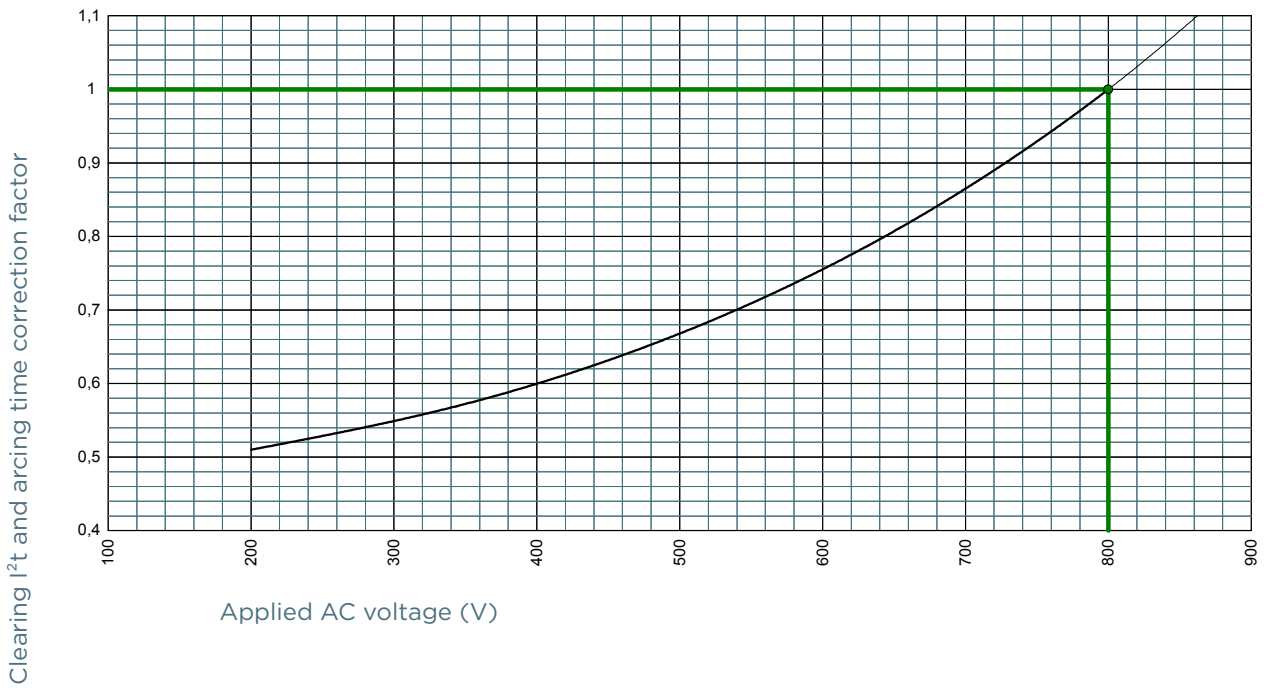
Mersen products have been designed by Mersen for a range of specific applications to be operated depending on particular specification and conditions. Mersen makes no representation or/and warranty, and waives any liability, either express or implied for products' reliability and life time or technical performance in case Mersen has not been provided with customer's specifications or if the products are not purchased directly from Mersen or its distributors and/or agents.

I²T MULTIPLIER COEFFICIENT

Size 71 aR 750V



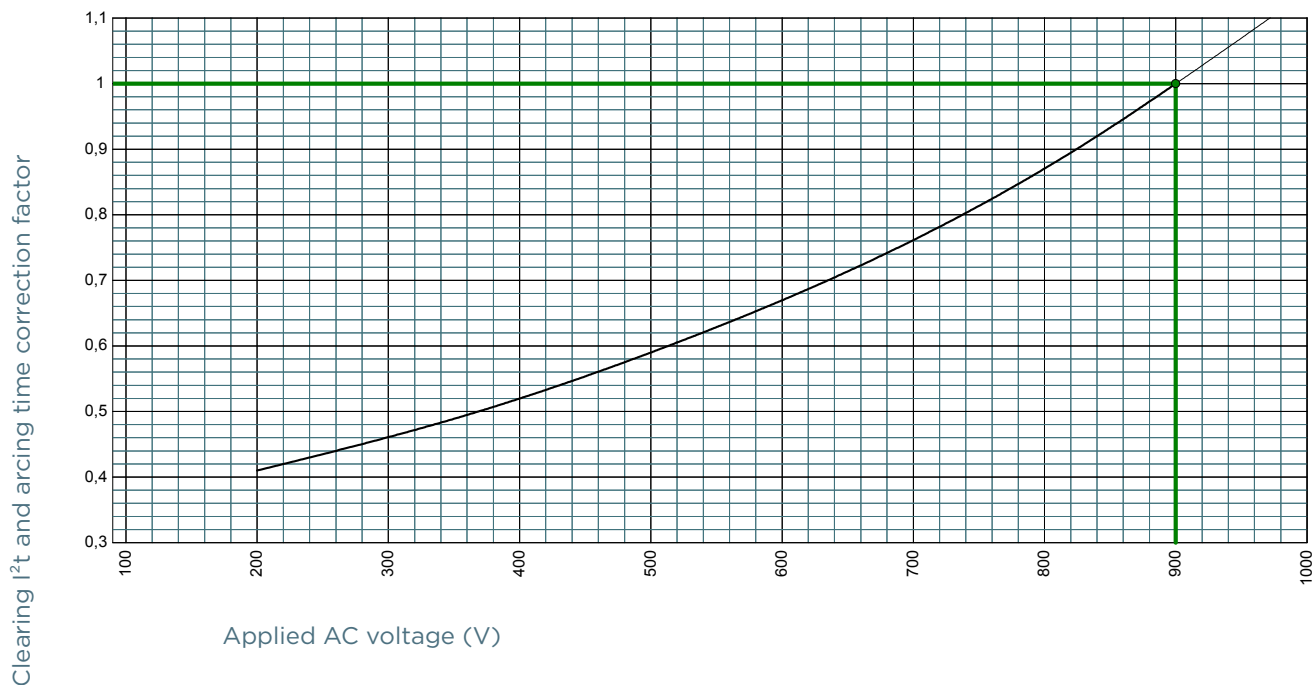
Size 71 aR 800V



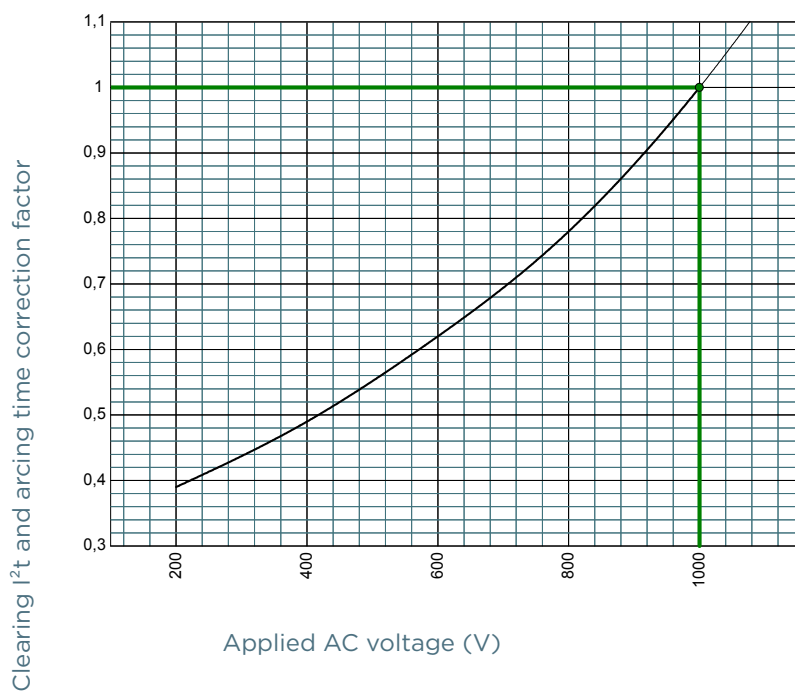
Mersen products have been designed by Mersen for a range of specific applications to be operated depending on particular specification and conditions. Mersen makes no representation or/and warranty, and waives any liability, either express or implied for products' reliability and life time or technical performance in case Mersen has not been provided with customer's specifications or if the products are not purchased directly from Mersen or its distributors and/or agents.

I²T MULTIPLIER COEFFICIENT

Size 71 aR 900V



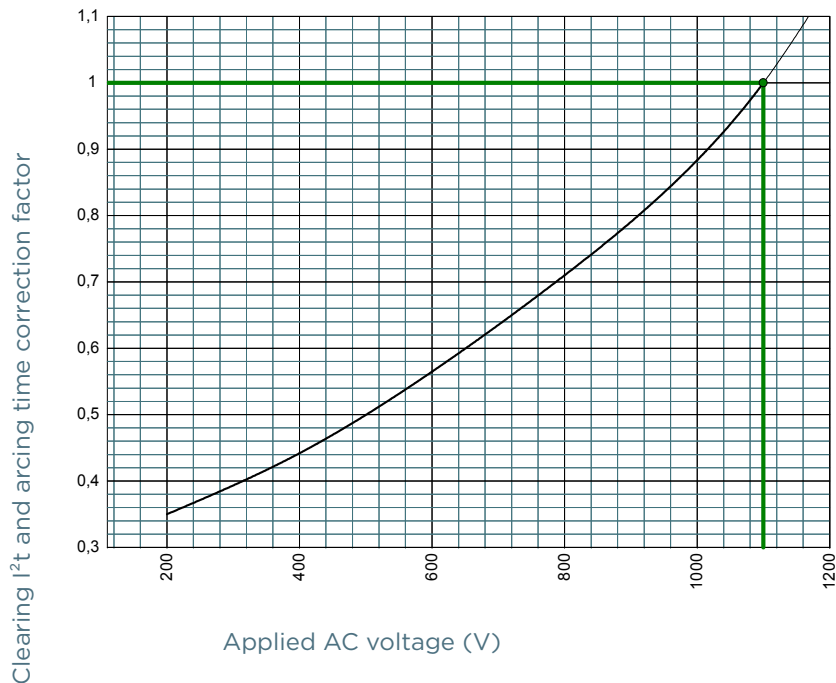
Size 71 aR 1000V



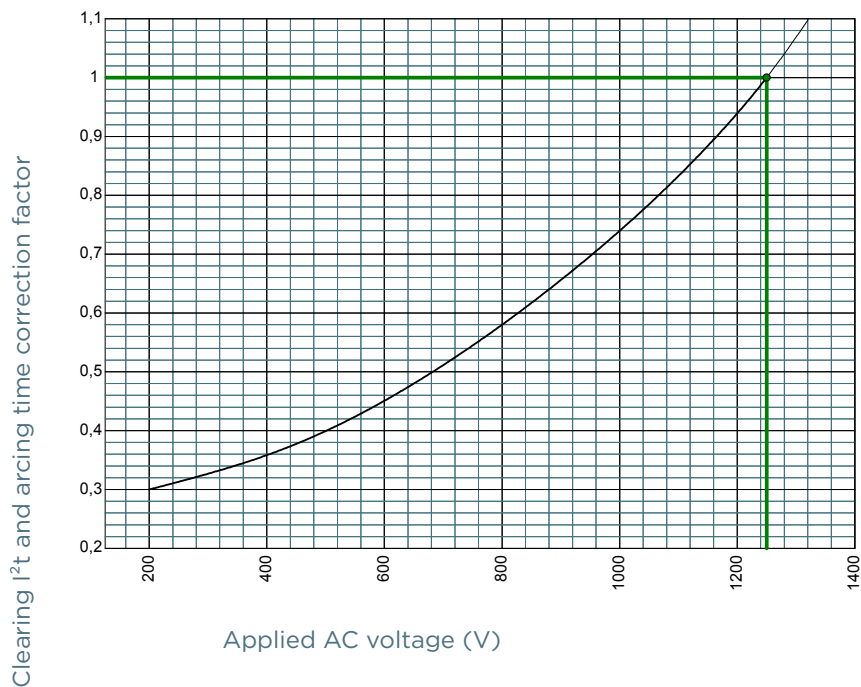
Mersen products have been designed by Mersen for a range of specific applications to be operated depending on particular specification and conditions. Mersen makes no representation or/and warranty, and waives any liability, either express or implied for products' reliability and life time or technical performance in case Mersen has not been provided with customer's specifications or if the products are not purchased directly from Mersen or its distributors and/or agents.

I²T MULTIPLIER COEFFICIENT

Size 71 aR 1100V



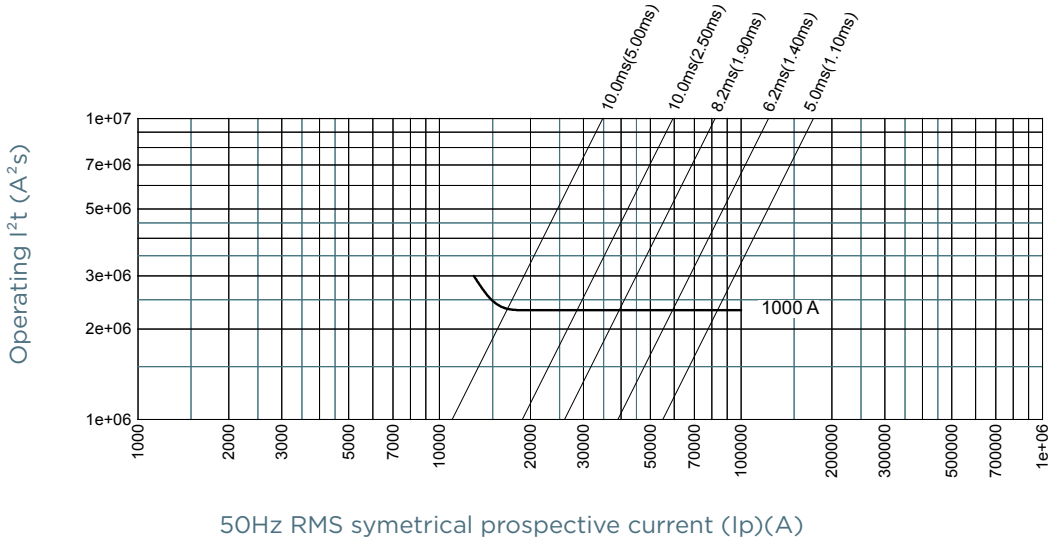
Size 71 aR 1250V



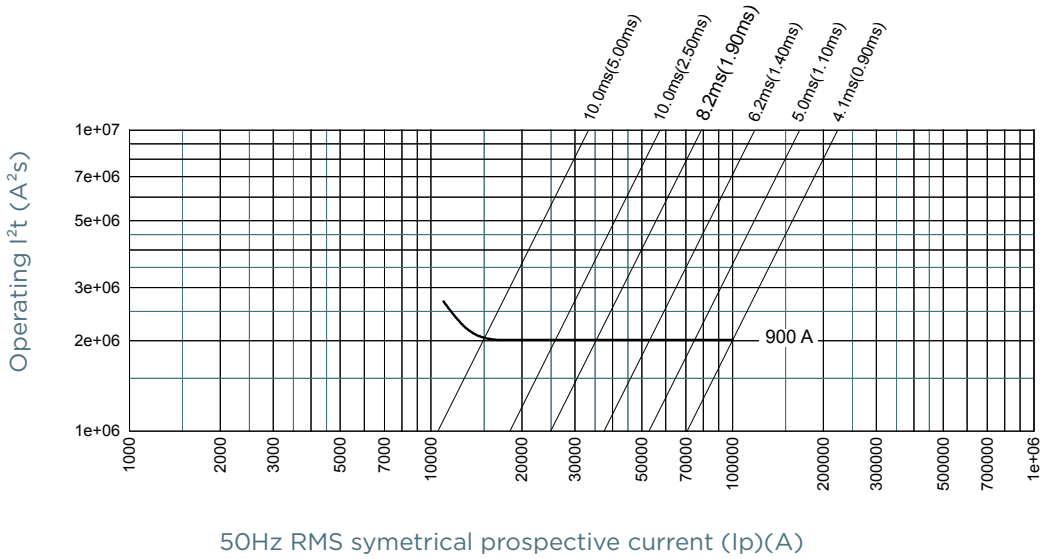
Mersen products have been designed by Mersen for a range of specific applications to be operated depending on particular specification and conditions. Mersen makes no representation or/and warranty, and waives any liability, either express or implied for products' reliability and life time or technical performance in case Mersen has not been provided with customer's specifications or if the products are not purchased directly from Mersen or its distributors and/or agents.

CHARACTERISTICS TOTAL I²T CURVE

Size 71 aR 750V



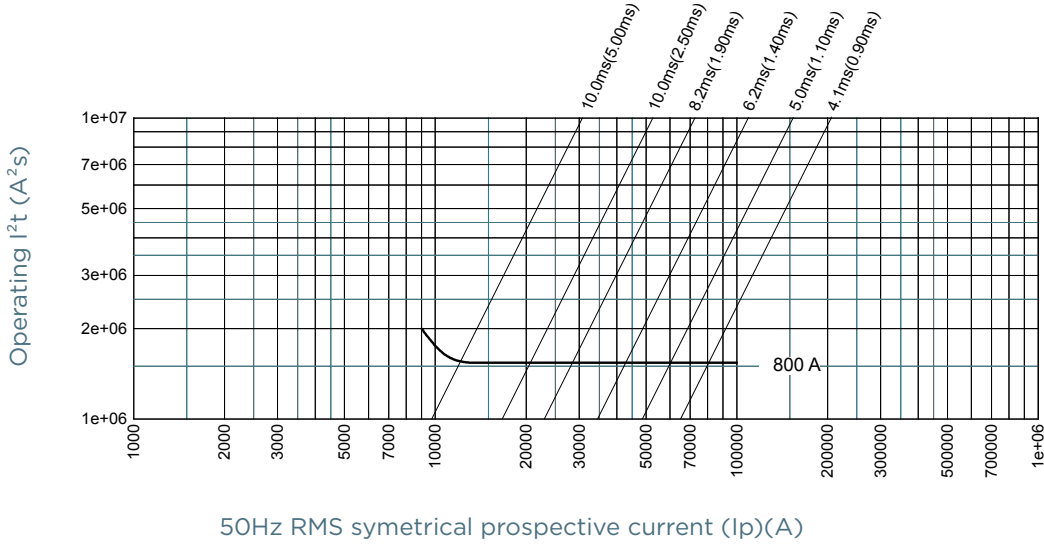
Size 71 aR 800V



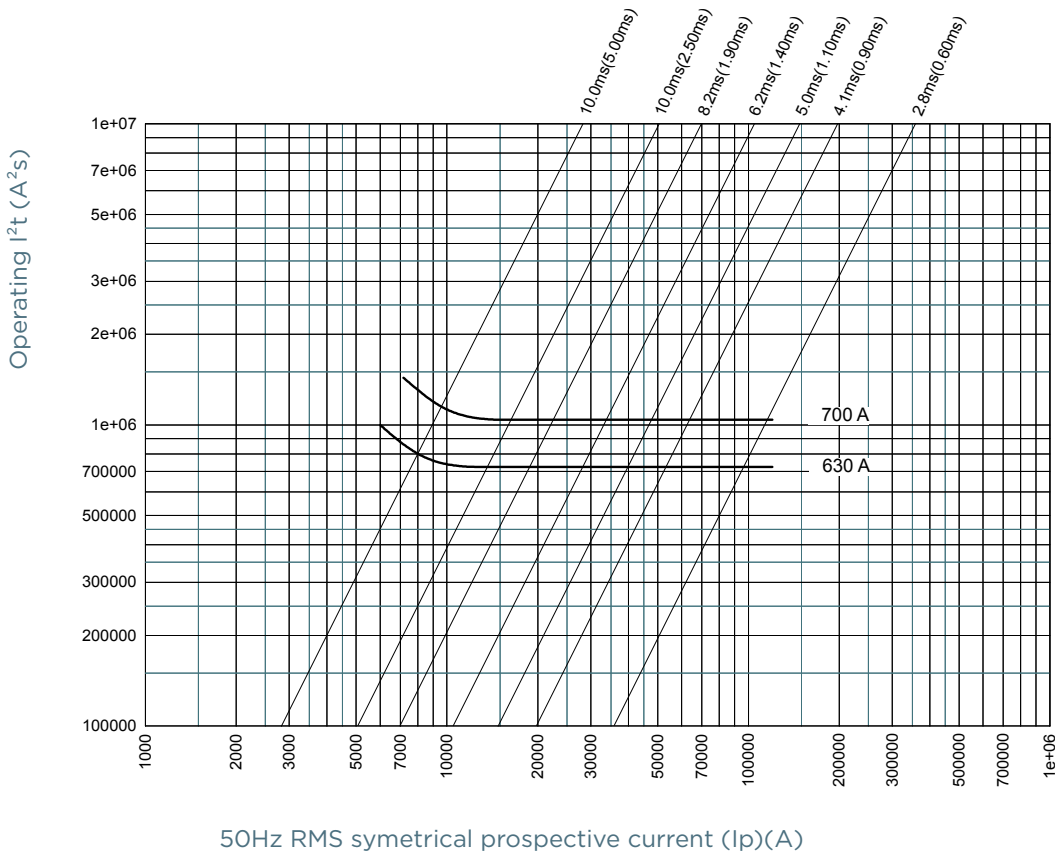
Mersen products have been designed by Mersen for a range of specific applications to be operated depending on particular specification and conditions. Mersen makes no representation or/and warranty, and waives any liability, either express or implied for products' reliability and life time or technical performance in case Mersen has not been provided with customer's specifications or if the products are not purchased directly from Mersen or its distributors and/or agents.

CHARACTERISTICS TOTAL I²T CURVE

Size 71 aR 900V

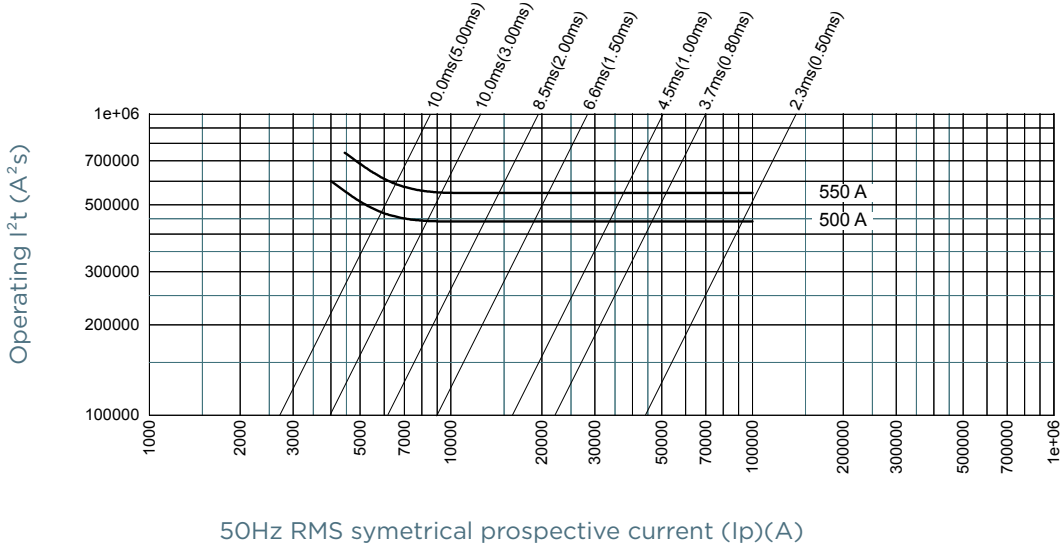


Size 71 aR 1000V

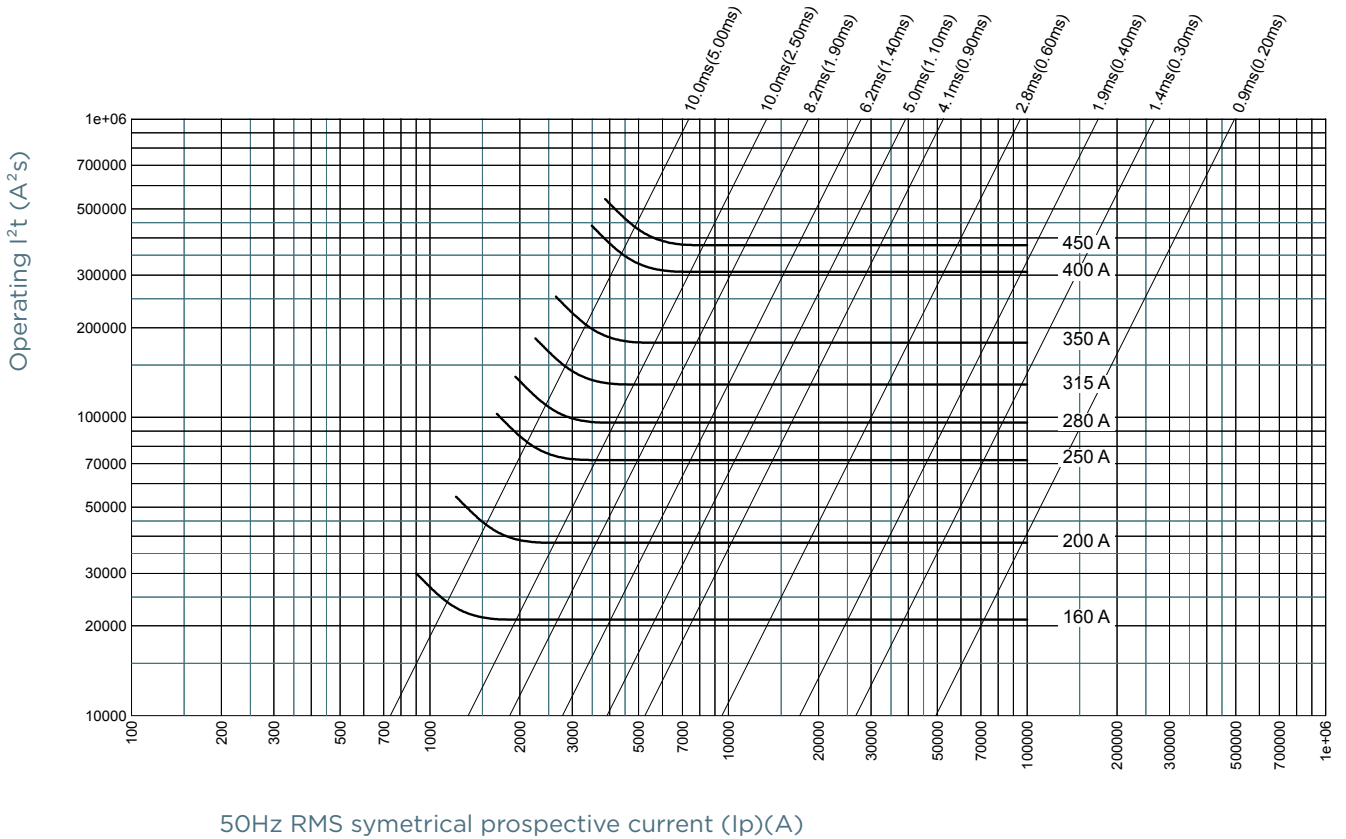


CHARACTERISTICS TOTAL I²T CURVE

Size 71 aR 1100V



Size 71 aR 1250V



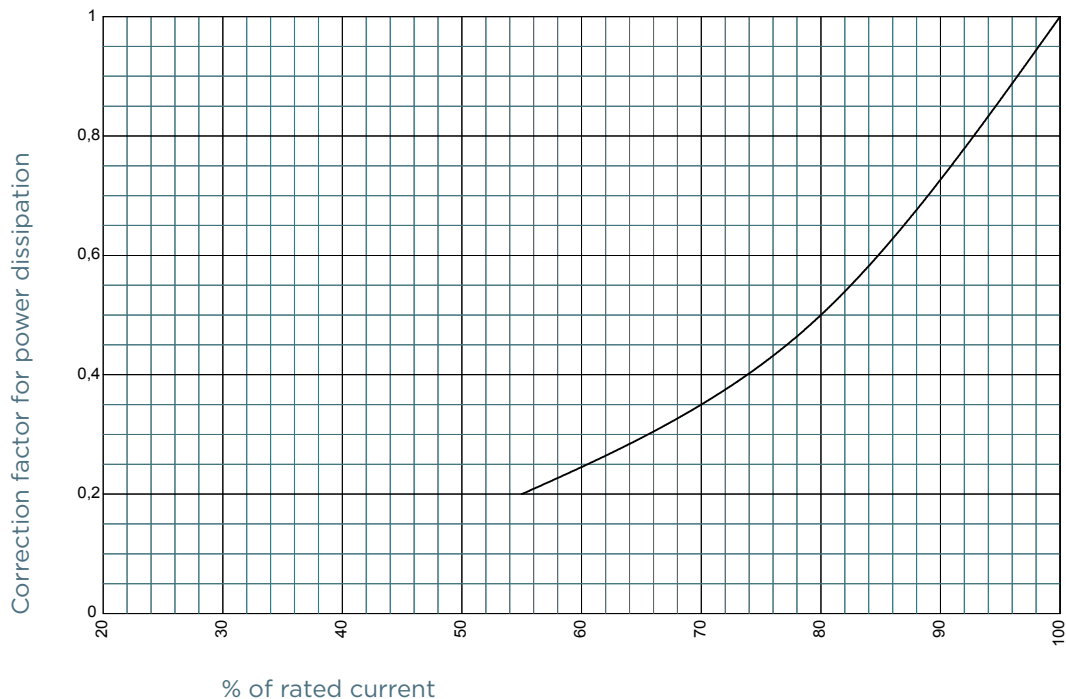
Mersen products have been designed by Mersen for a range of specific applications to be operated depending on particular specification and conditions. Mersen makes no representation or/and warranty, and waives any liability, either express or implied for products' reliability and life time or technical performance in case Mersen has not been provided with customer's specifications or if the products are not purchased directly from Mersen or its distributors and/or agents.

Protistor® size 71 aR

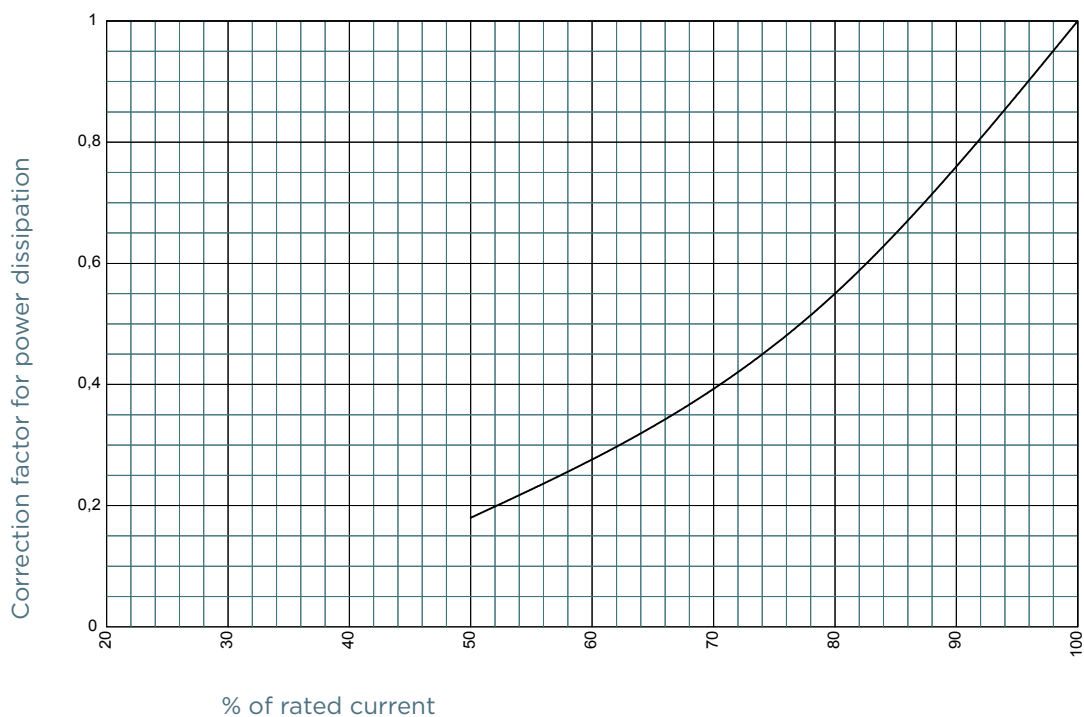
750 to 1250VAC (IEC) / 1300VAC (UL)

POWER DISSIPATION

Size 71 aR 500-1000A



Size 71 aR 160-450A



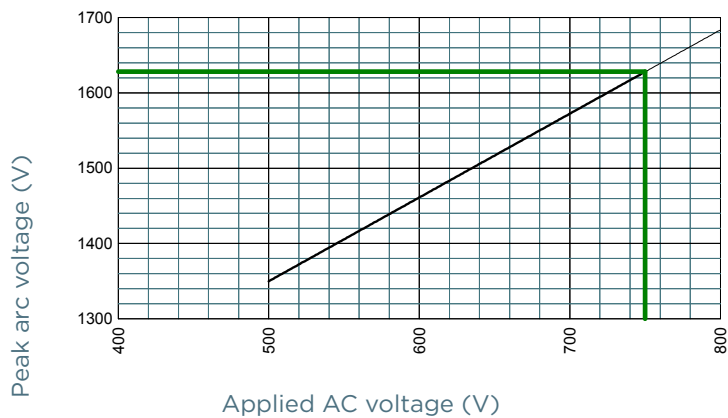
Mersen products have been designed by Mersen for a range of specific applications to be operated depending on particular specification and conditions. Mersen makes no representation or/and warranty, and waives any liability, either express or implied for products' reliability and life time or technical performance in case Mersen has not been provided with customer's specifications or if the products are not purchased directly from Mersen or its distributors and/or agents.

Protistor® size 71 aR

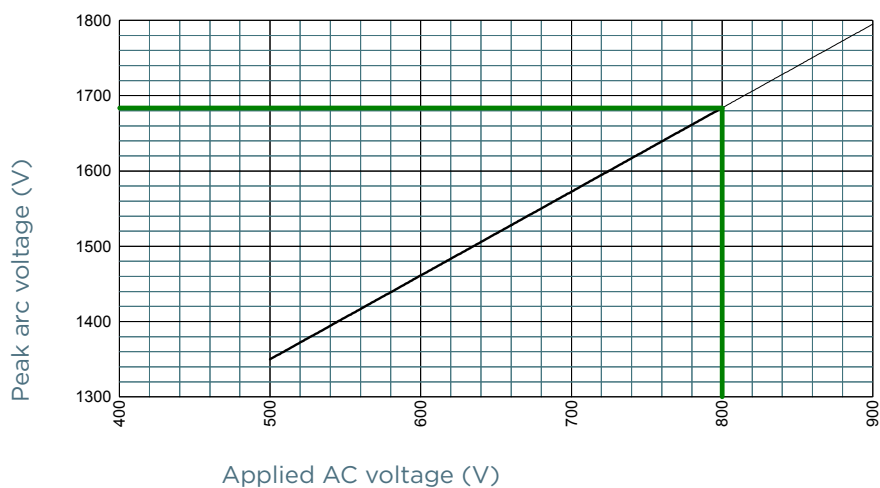
750 to 1250VAC (IEC) / 1300VAC (UL)

PEAK ARC VOLTAGE

Size 71 aR 750V



Size 71 aR 800V



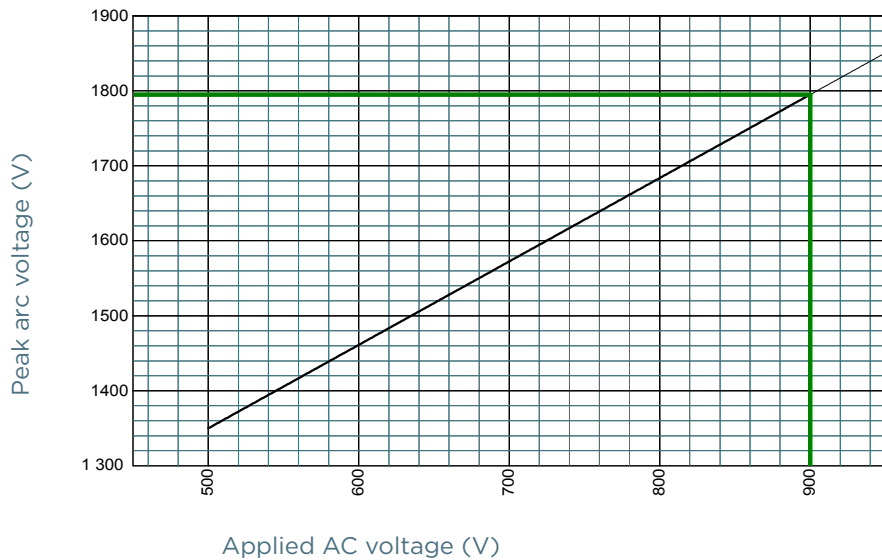
Mersen products have been designed by Mersen for a range of specific applications to be operated depending on particular specification and conditions. Mersen makes no representation or/and warranty, and waives any liability, either express or implied for products' reliability and life time or technical performance in case Mersen has not been provided with customer's specifications or if the products are not purchased directly from Mersen or its distributors and/or agents.

Protistor® size 71 aR

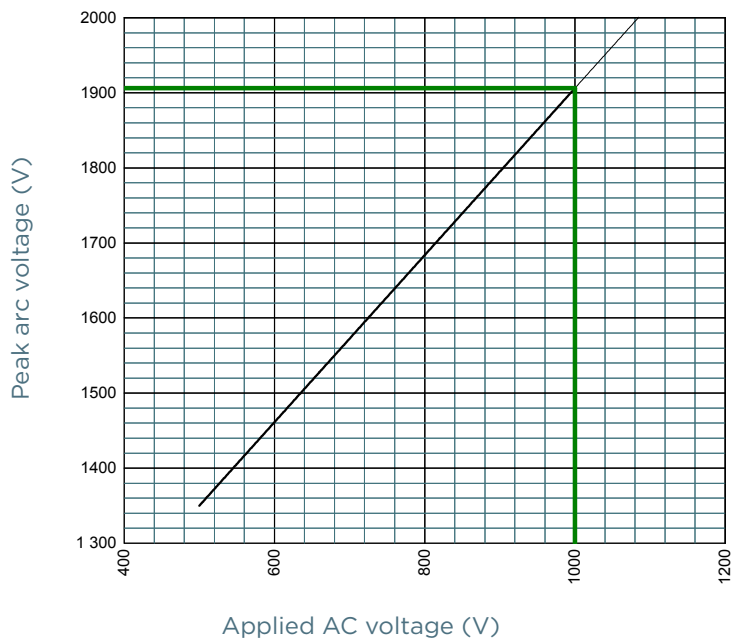
750 to 1250VAC (IEC) / 1300VAC (UL)

PEAK ARC VOLTAGE

Size 71 aR 900V



Size 71 aR 1000V



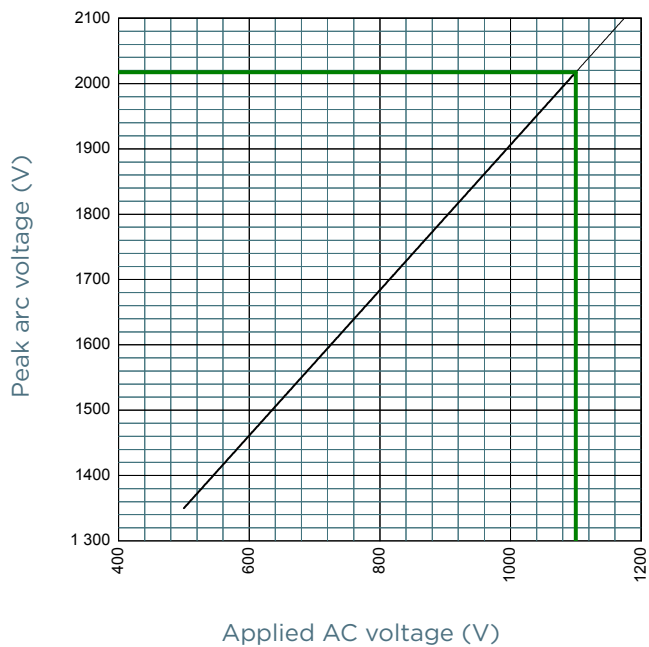
Mersen products have been designed by Mersen for a range of specific applications to be operated depending on particular specification and conditions. Mersen makes no representation or/and warranty, and waives any liability, either express or implied for products' reliability and life time or technical performance in case Mersen has not been provided with customer's specifications or if the products are not purchased directly from Mersen or its distributors and/or agents.

Protistor® size 71 aR

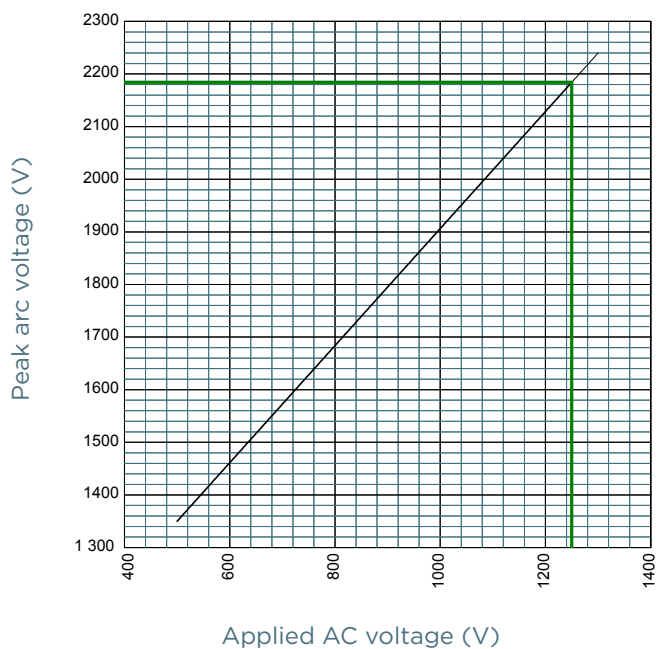
750 to 1250VAC (IEC) / 1300VAC (UL)

PEAK ARC VOLTAGE

Size 71 aR 1100V



Size 71 aR 1250V



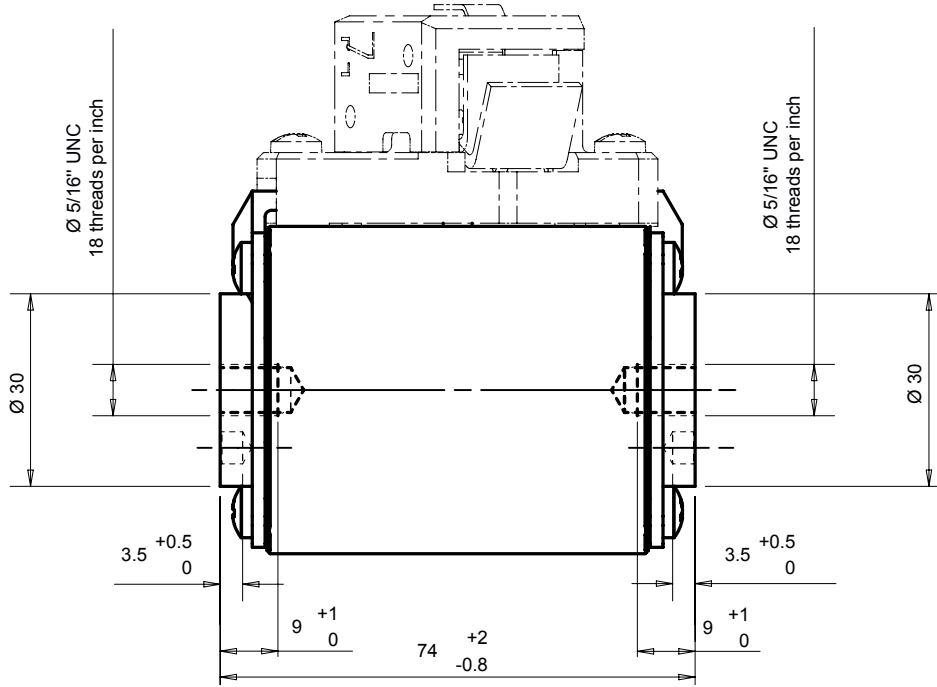
Mersen products have been designed by Mersen for a range of specific applications to be operated depending on particular specification and conditions. Mersen makes no representation or/and warranty, and waives any liability, either express or implied for products' reliability and life time or technical performance in case Mersen has not been provided with customer's specifications or if the products are not purchased directly from Mersen or its distributors and/or agents.

Protistor® size 71 aR

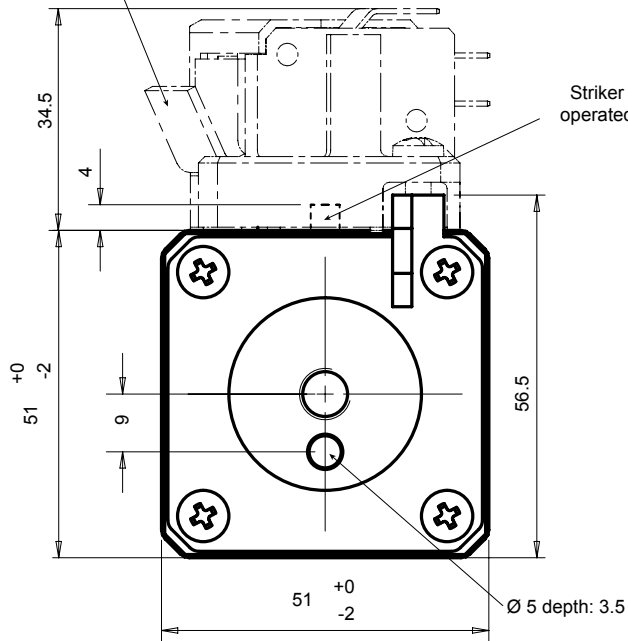
750 to 1250VAC (IEC) / 1300VAC (UL)

DIMENSIONS

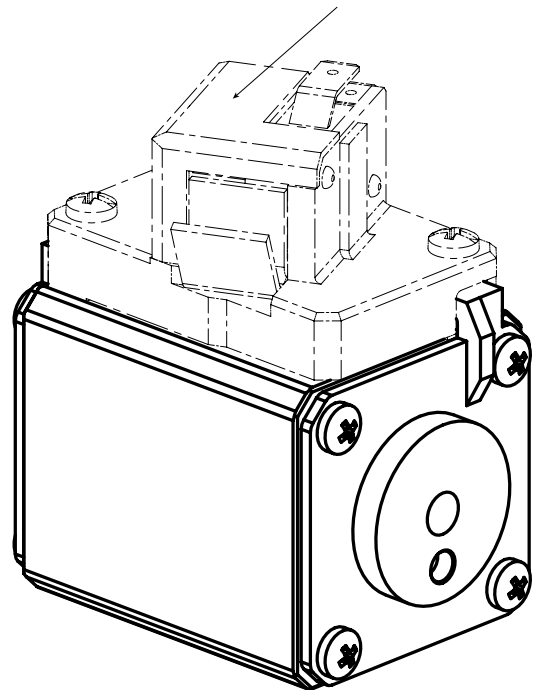
size 71 aR type TTI (109498_C)



Indicator lever visible after operation of fuse



Microswitch



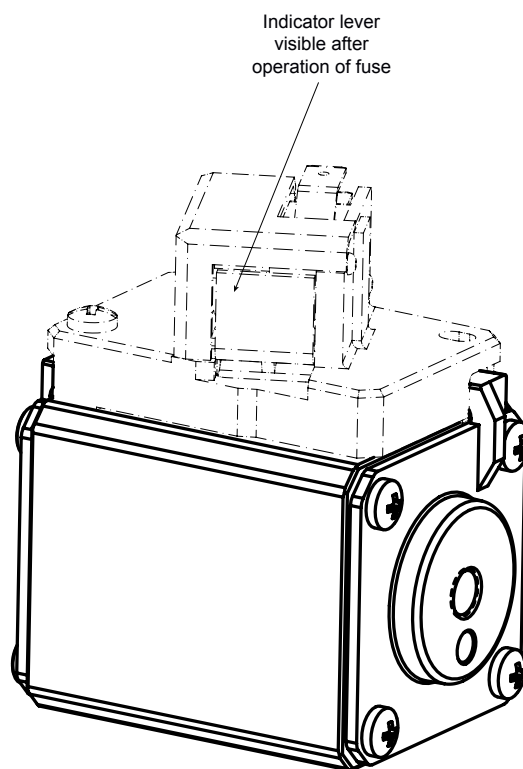
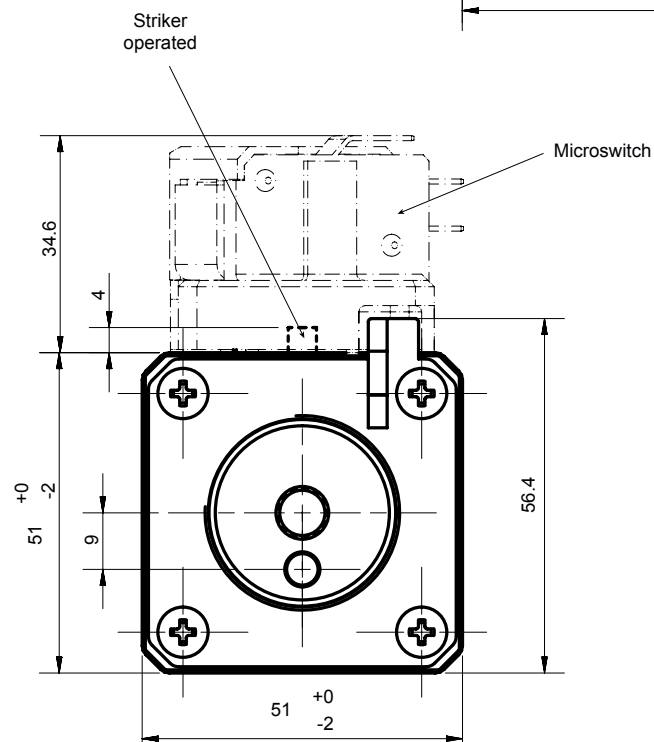
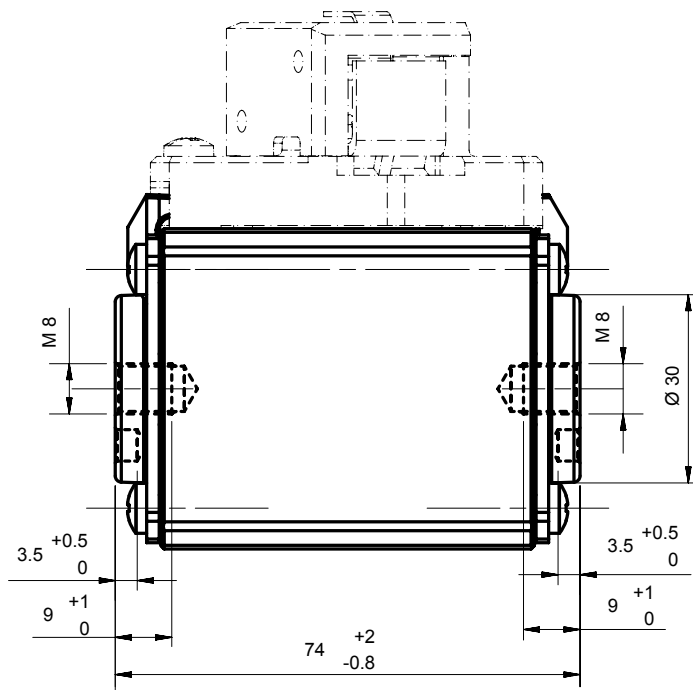
Dimensions in mm

Protistor® size 71 aR

750 to 1250VAC (IEC) / 1300VAC (UL)

DIMENSIONS

size 71 aR type TTF (105699-C)



Ø5 anti-rotation hole

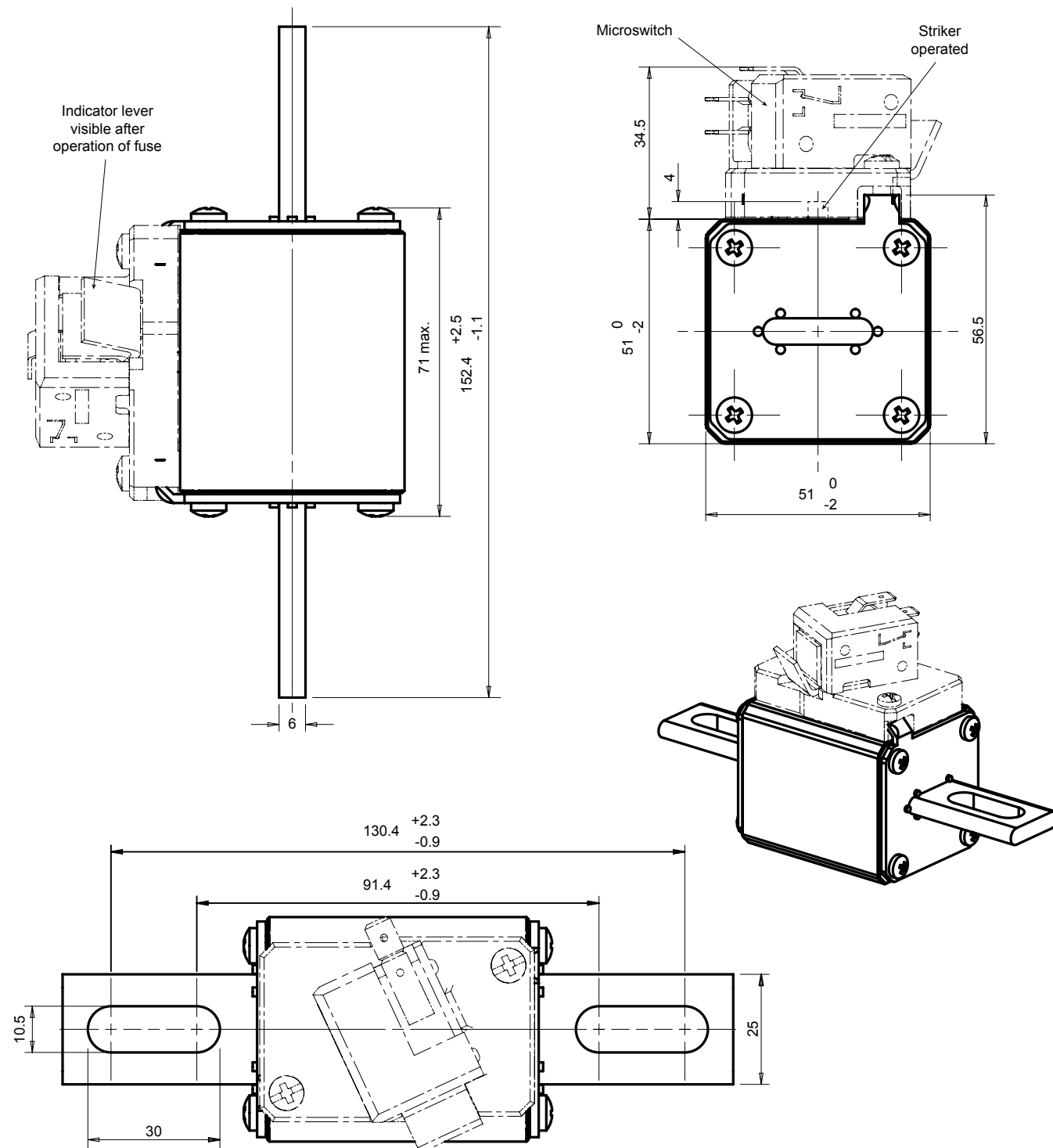
Dimensions in mm

Protistor® size 71 aR

750 to 1250VAC (IEC) / 1300VAC (UL)

DIMENSIONS

size 71 aR type LLI (105922_C)



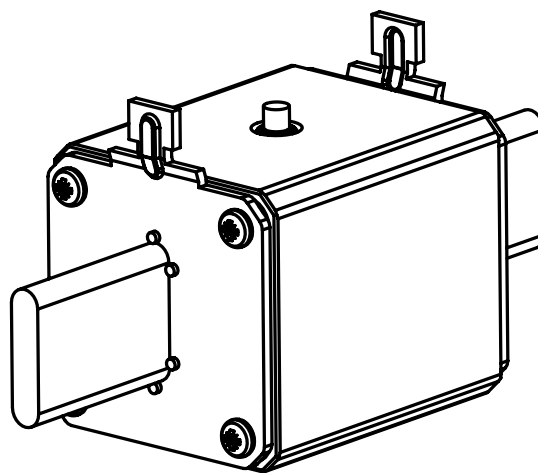
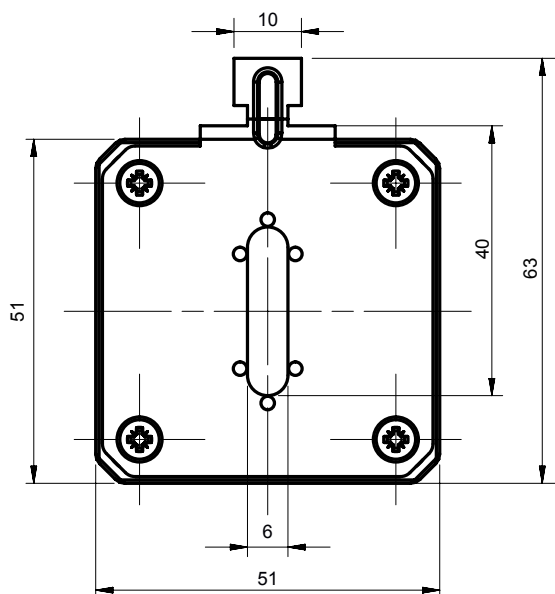
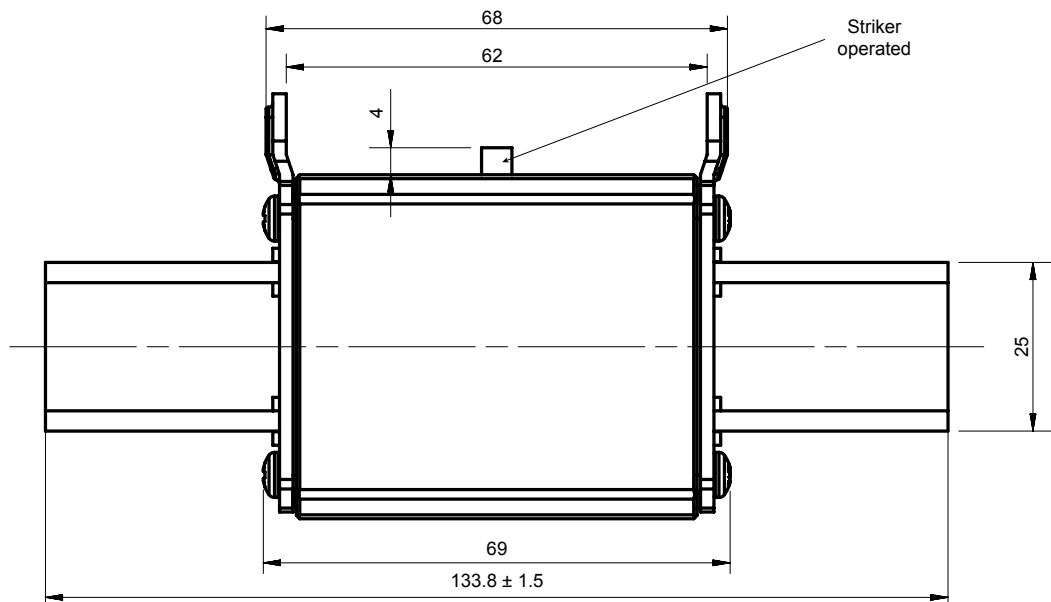
Dimensions in mm

Protistor® size 71 aR

750 to 1250VAC (IEC) / 1300VAC (UL)

DIMENSIONS

size 71 aR type PA (107130_C)



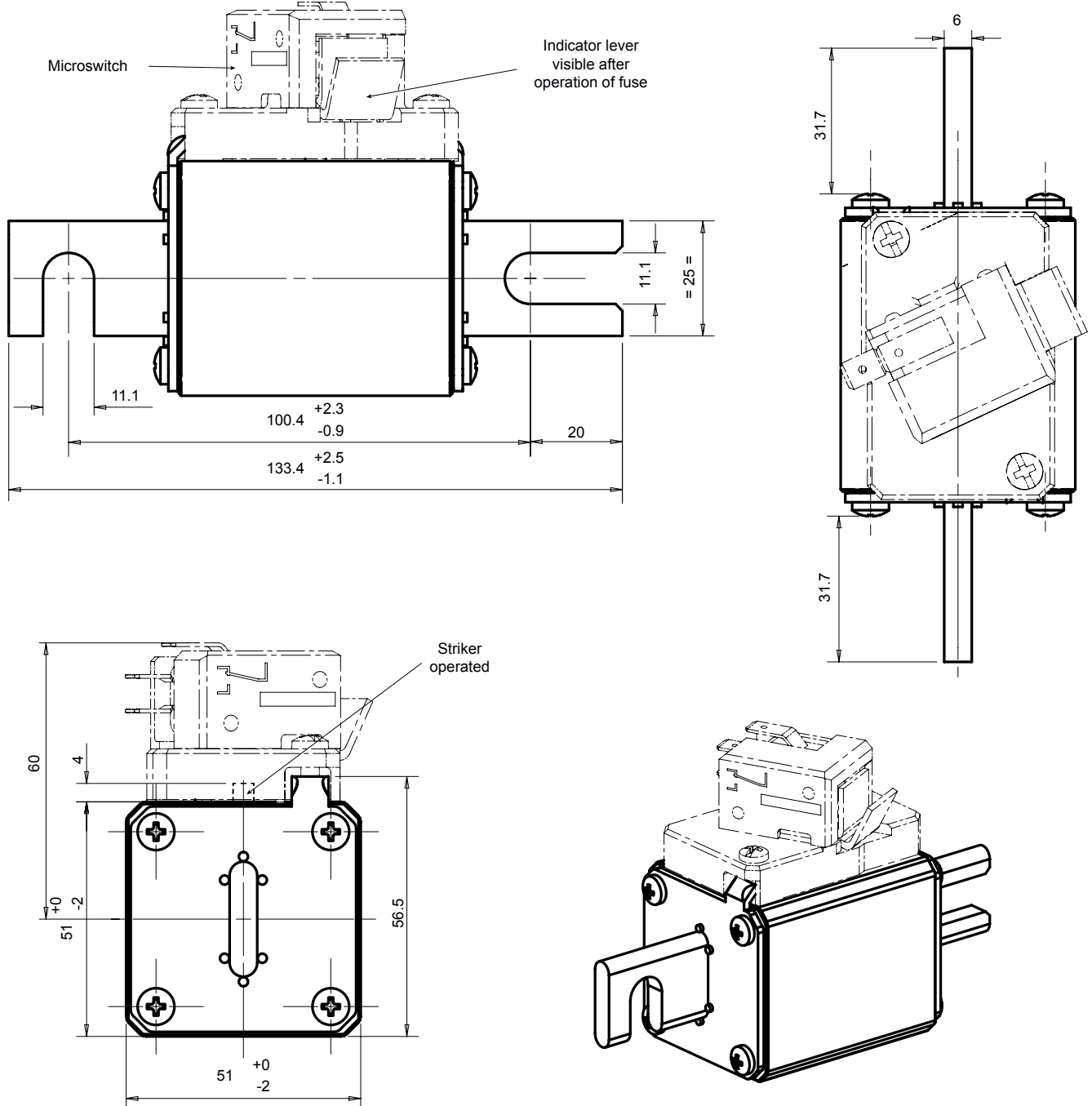
Dimensions in mm

Protistor® size 71 aR

750 to 1250VAC (IEC) / 1300VAC (UL)

DIMENSIONS

size 71 aR type DIN 110 (105712)



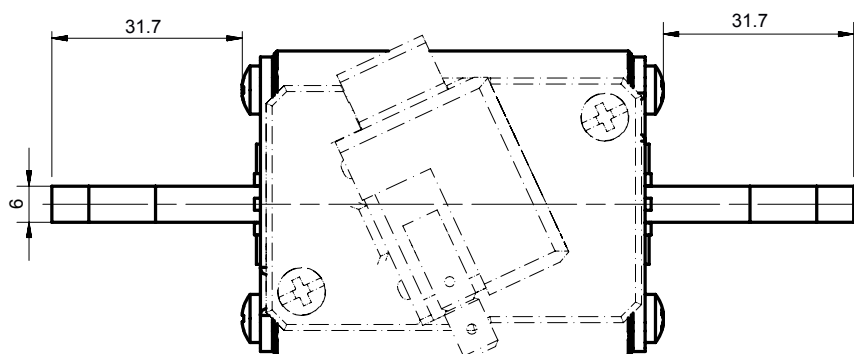
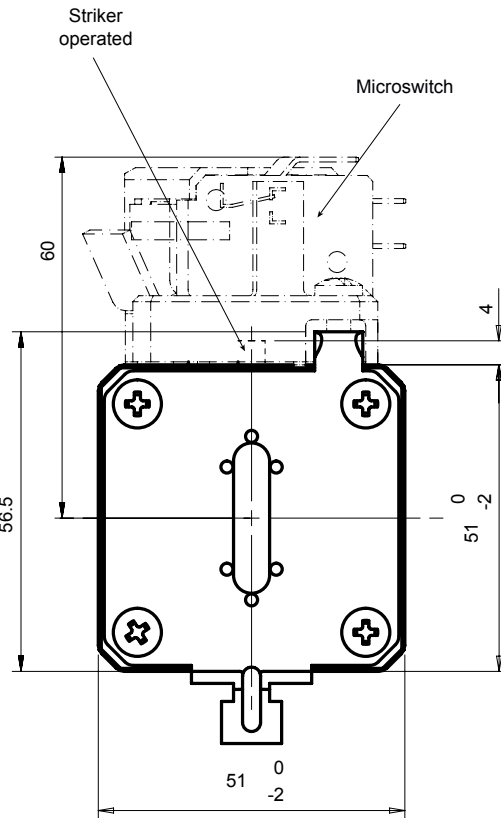
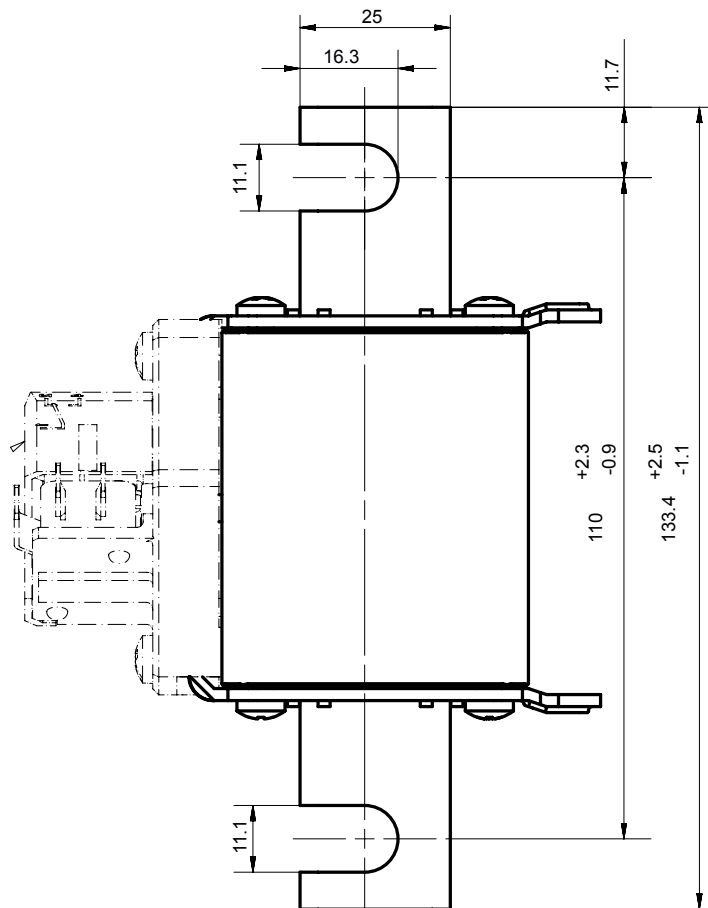
Dimensions in mm

Protistor® size 71 aR

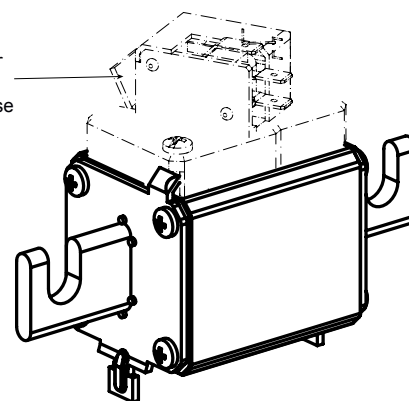
750 to 1250VAC (IEC) / 1300VAC (UL)

DIMENSIONS

size 71 aR type EF (105880_C)



Indicator lever visible after operation of fuse



Dimensions in mm

Protistor® size 71 aR

750 to 1250VAC (IEC) / 1300VAC (UL)

APPENDIX

Index

Catalog number	Item number	Description 1	Page
PC71UD13C160TF	B300749	12,5 URD 71 TT F 0160	2
PC71UD13C200TF	Z300517	12,5 URD 71 TT F 0200	2
PC71UD13C250TF	A300518	12,5 URD 71 TT F 0250	2
PC71UD13C280TF	P300715	12,5 URD 71 TT F 0280	2
PC71UD13C315TF	B300519	12,5 URD 71 TT F 0315	2
PC71UD13C350TF	C300520	12,5 URD 71 TT F 0350	2
PC71UD13C400TF	D300521	12,5 URD 71 TT F 0400	2
PC71UD13C450TF	E300522	12,5 URD 71 TT F 0450	2
PC71UD11C500TF	F300523	11 URD 71 TT F 0500	2
PC71UD11C550TF	G300524	11 URD 71 TT F 0550	2
PC71UD11C630TF	H300525	11 URD 71 TT F 0630	2
PC71UD10C700TF	M301288	10 URD 71 TT F 0700	2
PC71UD90V800TF	Z300862	9 URD 71 TT F 0800	2
PC71UD80V900TF	N301289	8 URD 71 TT F 0900	2
PC71UD75V10CTF	R301292	7,5 URD 71 TTF 1000	2
A130UD71TTI160	B301025	A 130 URD 71 TTI 0160	2
A130UD71TTI200	C301026	A 130 URD 71 TTI 0200	2
A130UD71TTI250	D301027	A 130 URD 71 TTI 0250	2
A130UD71TTI280	E301028	A 130 URD 71 TTI 0280	2
A130UD71TTI315	F301029	A 130 URD 71 TTI 0315	2
A130UD71TTI350	G301030	A 130 URD 71 TTI 0350	2
A120UD71TTI550	L301034	A 120 URD 71 TTI 0550	2
A120UD71TTI630	M301035	A 120 URD 71 TTI 0630	2
A130UD71TTI400	H301031	A 130 URD 71 TTI 0400	2
A130UD71TTI450	J301032	A 130 URD 71 TTI 0450	2
A130UD71TTI500	K301033	A 130 URD 71 TTI 0500	2
PC71UD13C160D1A	D300751	12,5 URD 71 D11 A 0160	3
PC71UD13C200D1A	E300545	12,5 URD 71 D11 A 0200	3
PC71UD13C250D1A	F300546	12,5 URD 71 D11 A 0250	3
PC71UD10C630D1A	N300553	10 URD 71 D11 A 0630	3
PC71UD13C280D1A	K300711	12,5 URD 71 D11 A 0280	3
PC71UD13C315D1A	G300547	12,5 URD 71 D11 A 0315	3
PC71UD13C350D1A	H300548	12,5 URD 71 D11 A 0350	3
PC71UD13C400D1A	J300549	12,5 URD 71 D11 A 0400	3
PC71UD13C450D1A	K300550	12,5 URD 71 D11 A 0450	3
PC71UD11C500D1A	L300551	11 URD 71 D11 A 0500	3
PC71UD11C550D1A	M300552	11 URD 71 D11 A 0550	3
A130UD71LLI160	E300752	A 130 URD 71 LLI 0160	3
A130UD71LLI200	F300661	A 130 URD 71 LLI 0200	3
A130UD71LLI250	G300662	A 130 URD 71 LLI 0250	3
A130UD71LLI280	R300717	A 130 URD 71 LLI 0280	3
A130UD71LLI315	H300663	A 130 URD 71 LLI 0315	3
A130UD71LLI350	J300664	A 130 URD 71 LLI 0350	3
A130UD71LLI400	K300665	A 130 URD 71 LLI 0400	3
A130UD71LLI450	L300666	A 130 URD 71 LLI 0450	3
A120UD71LLI500	M300667	A 120 URD 71 LLI 0500	3
A120UD71LLI550	N300668	A 120 URD 71 LLI 0550	3
A110UD71LLI630	P300669	A 110 URD 71 LLI 0630	3
PC71UD13C160EF	C300750	12,5 URD 71 EF 0160	4
PC71UD13C200EF	Z300609	12,5 URD 71 EF 0200	4
PC71UD13C250EF	A300610	12,5 URD 71 EF 0250	4
PC71UD13C280EF	M300713	12,5 URD 71 EF 0280	4
PC71UD10C630EF	H300617	10 URD 71 EF 0630	4
PC71UD13C315EF	B300611	12,5 URD 71 EF 0315	4
PC71UD13C350EF	C300612	12,5 URD 71 EF 0350	4

Mersen products have been designed by Mersen for a range of specific applications to be operated depending on particular specification and conditions. Mersen makes no representation or/and warranty, and waives any liability, either express or implied for products' reliability and life time or technical performance in case Mersen has not been provided with customer's specifications or if the products are not purchased directly from Mersen or its distributors and/or agents.

Protistor® size 71 aR

750 to 1250VAC (IEC) / 1300VAC (UL)

APPENDIX

Index

Catalog number	Item number	Description 1	Page
PC71UD13C400EF	D300613	12,5 URD 71 EF 0400	4
PC71UD13C450EF	E300614	12,5 URD 71 EF 0450	4
PC71UD11C500EF	F300615	11 URD 71 EF 0500	4
PC71UD11C550EF	G300616	11 URD 71 EF 0550	4
PC71UD13C160PA	M301219	12,5 URD 71 PA 0160	4
PC71UD13C200PA	G301835	12,5 URD 71 PA 0200	4
PC71UD13C250PA	B301163	12,5 URD 71 PA 0250	4
PC71UD13C315PA	A300840	12,5 URD 71 PA 0315	4
PC71UD13C350PA	H1000070	12,5 URD 71 PA 0350	4
PC71UD13C400PA	Q301222	12,5 URD 71 PA 0400	4
PC71UD13C450PA	W302975	12,5 URD 71 PA 0450	4

Mersen products have been designed by Mersen for a range of specific applications to be operated depending on particular specification and conditions. Mersen makes no representation or/warranty, and waives any liability, either express or implied for products' reliability and life time or technical performance in case Mersen has not been provided with customer's specifications or if the products are not purchased directly from Mersen or its distributors and/or agents.