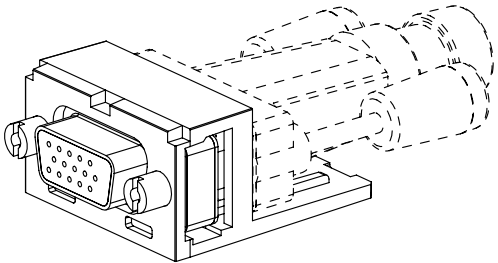
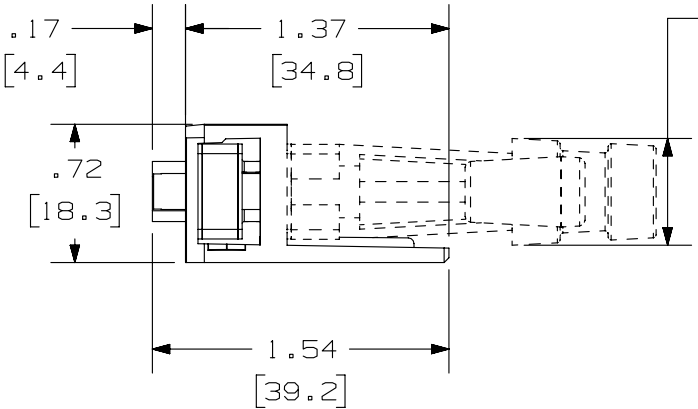
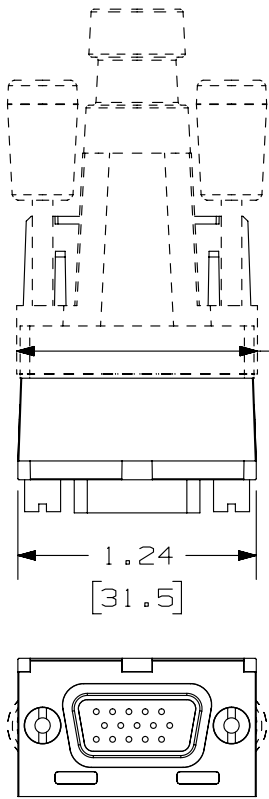


THIS COPY IS PROVIDED ON A RESTRICTED BASIS AND IS NOT TO BE USED IN ANY WAY DETRIMENTAL TO THE INTERESTS OF PANDUIT CORP.

PANDUIT P/N	WEIGHT
CMD15HDC**Y	.33 LB/10 PCS (149.3 g/10 PCS)

NOTES:

- SEE CURRENT CATALOG FOR ADDITIONAL PART NUMBER SUFFIXES TO INDICATE COLOR AND OR PACKAGE QUANTITY.
- SEE CATALOG FOR COMPLETE LIST OF PARTS APPLICABLE FOR USE WITH THIS PART.
- DIMENSIONS IN [] ARE IN METRIC.
- PART INCLUDES:
 - 1- DUAL MODULE BASE
 - 1- 15 PIN HD D-SUB COUPLER (ASSEMBLED TO MODULE BASE)



FIT AND FUNCTION OF MATING 15 PIN PLUG MUST BE VERIFIED IN CORRESPONDING COUPLER MODULE AND OUTLET SELECTION. PLUG NOT SOLD WITH COUPLER MODULE.

PART NUMBER		CMD15HDC**Y	
TITLE		MINI-COM DUAL MODULE SPACE 15 PIN HIGH DENSITY D-SUB COUPLER MODULE	
		CUSTOMER DRAWING	
ITEM REVISION NAME		M02479HD/00	
DATASET FILE NAME		M02479HD_DC188/00B	
UNLESS OTHERWISE SPECIFIED, DIMENSIONAL TOLERANCES ARE: IN (mm)		MATERIAL:	
.x ± .xx ± .03 (.8)		BASE: ABS	
.xxx ± .01 (.3)		DRAWING NUMBER:	
ANGLES ±		02479-188	
THIRD ANGLE PROJECTION		SHT 1 OF 1	
DRAWN BY	DATE	CHK	SCALE
JSP	B-B-06	MJD	NONE
REV	DATE	BY	CHK
1	5/2/14	JSP	REFR
2	B-B-06	JSP	MJD

REV	DATE	BY	CHK	APR	DESCRIPTION	ECN
1	5/2/14	JSP	REFR	MMR	A. REVISED DRAWING TITLE BLOCK.	02479-188
2	B-B-06	JSP	MJD	MJD	RELEASED TO PRODUCTION	02479-188

D10100DA/14