

THIS COPY IS PROVIDED ON A RESTRICTED BASIS AND IS NOT TO BE USED IN ANY WAY DETRIMENTAL TO THE INTERESTS OF PANDUIT CORP.

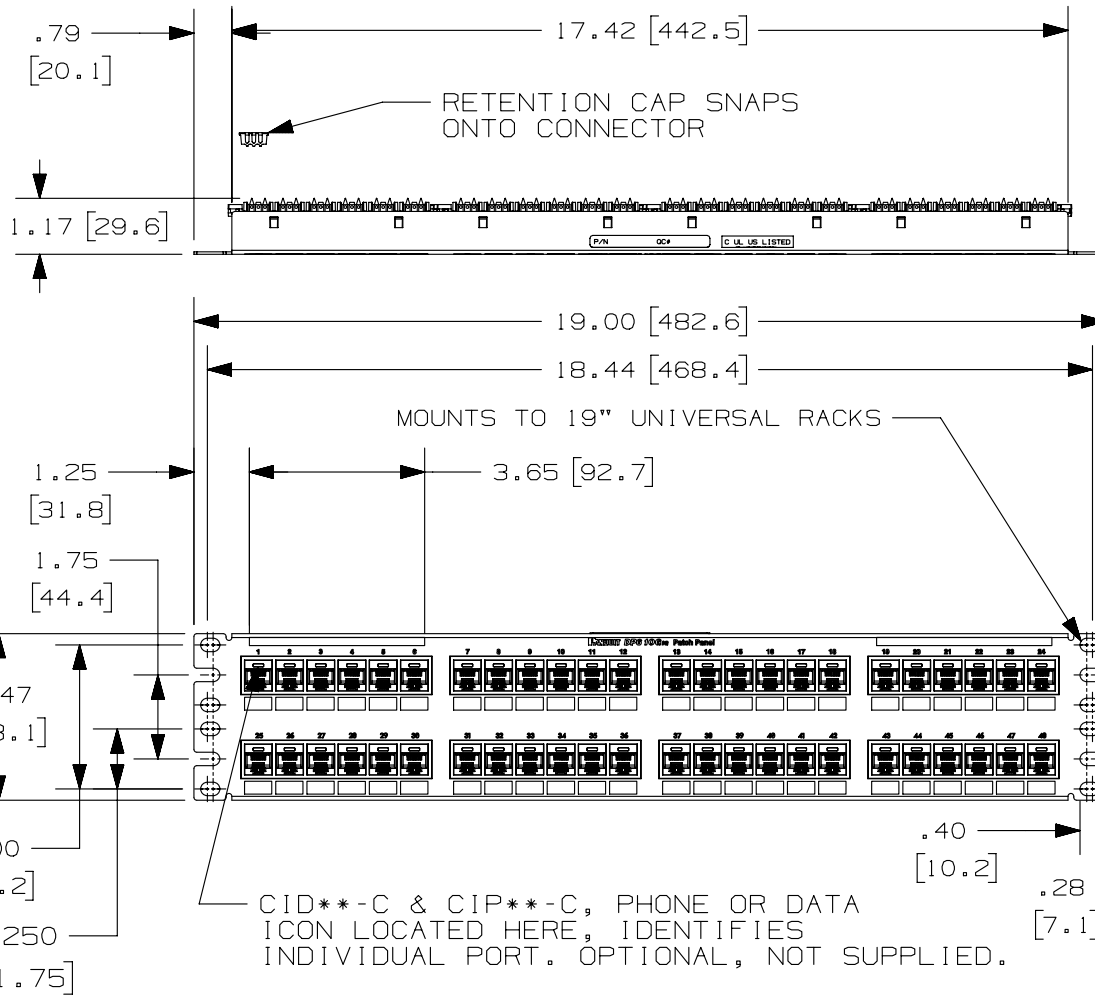


FIGURE 1  
DP5e 48 PORT PATCH PANEL

|              |                    |
|--------------|--------------------|
| PANDUIT P/N  | WEIGHT (APPROX.)   |
| DPKR485E88TG | 2.40 LB (1088.6 g) |

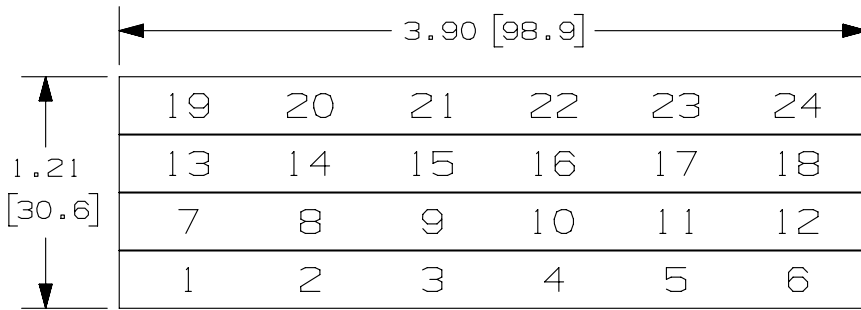
NOTES:

- SEE CURRENT CATALOG FOR VARIOUS APPLICATIONS AS WELL AS OPTIONAL ICONS.
- KIT INCLUDES THE FOLLOWING:
  - 1 - LABEL SET 1-24
  - 1 - LABEL SET 25-48
  - 1 - BLANK LABEL
  - 9 - LABEL HOLDERS
  - 1 - STRAIN RELIEF BAR
  - 1 - DP5e 48 PORT PATCH PANEL
  - 8 - 12-24 X 1/2" ROUND HEAD SCREWS
  - 4 - M6x1 X 15mm METRIC SCREWS
- MATERIAL:
  - PANEL HOUSING: STEEL
  - RJ45 MODULE: THERMOPLASTIC RESIN UL94V-0
  - PUNCHDOWN BLOCKS: THERMOPLASTIC RESIN UL94V-0
  - BEZEL ASSEMBLY: THERMOPLASTIC RESIN UL94H-B
  - RETENTION CAP: THERMOPLASTIC RESIN UL94V-0
  - STRAIN RELIEF BAR: STEEL BAR STOCK
  - LABEL: VINYL
  - LABEL HOLDER: CLEAR VINYL
- 48 PORT PATCH PANEL 8 POSITION 8 WIRE.
- THE PATCH PANEL AND STRAIN RELIEF BAR ARE DESIGNED FOR MOUNTING TO 19" UNIVERSAL RACKS.
- DIMENSIONS IN PARENTHESES ARE IN METRIC.
- USE 110 STYLE TERMINATION TOOL FOR PUNCHDOWN.
- RETENTION CAPS (ONE PER CONNECTOR) PROVIDED FOR SNAP-IN ON TERMINATED CONNECTORS.

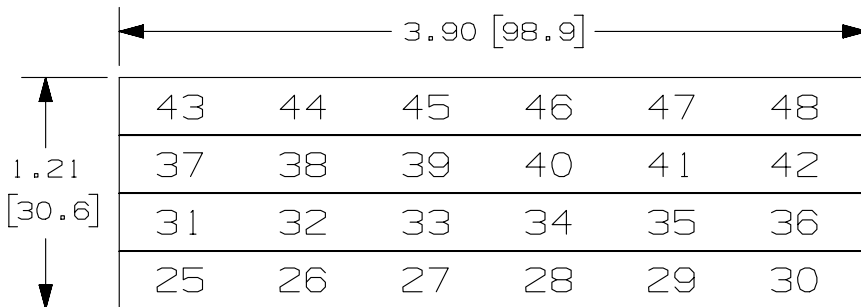
|   |          |   |                          |
|---|----------|---|--------------------------|
| PART NUMBER   |          | DPKR485E88TG  |                          |
| TITLE   |          | DP5E 48 PORT PATCH PANEL WITH STRAIN RELIEF BAR AND LABEL KIT |                          |
|   |          | CUSTOMER DRAWING  |                          |
| ITEM REVISION NAME  |          | M01537EM/01   |                          |
| DATASET FILE NAME   |          | M01537EM_DC52/01A   |                          |
| UNLESS OTHERWISE SPECIFIED, DIMENSIONAL TOLERANCES ARE: IN [ mm ] |          | MATERIAL:   |                          |
| .x ± .xxx ± .010 [ .3 ]   |          | SEE NOTE 3  |                          |
| .xx ± .03 [ .8 ]  |          | DRAWING NUMBER:   |                          |
| ANGLES ±  |          | 01537-52  |                          |
| THIRD ANGLE PROJECTION  |          | SHT 1 OF 2  |                          |
| DRAWN BY  | DATE     | CHK   | SCALE                    |
| BJN   | 11-26-07 | RJDU  | NONE                     |
| REV   | DATE     | BY  | CHK                      |
| 1   | 6-02-14  | MDJR  | REFR                     |
| R   | 11-26-07 | BJN   | RJDU                     |
| APR   |          | MMR   | A. UPDATED TITLE BLOCKS. |
|   |          | VMB   | RELEASED TO PRODUCTION   |
| DESCRIPTION   | ECN      |   |                          |
|   | 01537-52 |   |                          |
|   | 01537-52 |   |                          |

D101000DA/14

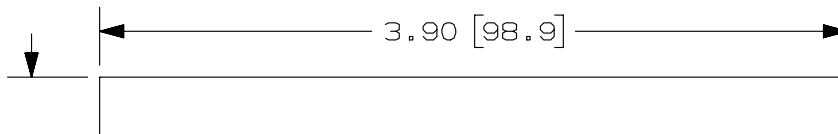
THIS COPY IS PROVIDED ON A RESTRICTED BASIS AND IS NOT TO BE USED IN ANY WAY DETRIMENTAL TO THE INTERESTS OF PANDUIT CORP.



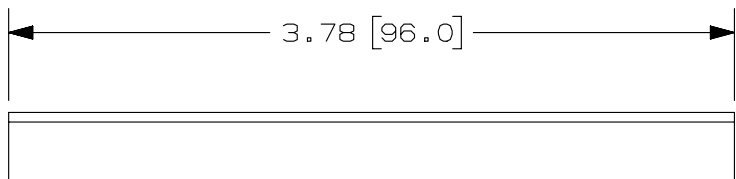
LABEL SET 1 - 24



LABEL SET 25 - 48



BLANK LABEL



LABEL HOLDER  
FIGURE 2  
LABEL KIT



FIGURE 3  
STRAIN RELIEF BAR

|   |             |                       |       |
|---|-------------|-----------------------|-------|
| PART NUMBER   |             | DPKR485E88TG          |       |
| TITLE   |             |                       |       |
| DP5E 48 PORT PATCH PANEL WITH STRAIN RELIEF BAR AND LABEL KIT   |             |                       |       |
| CUSTOMER DRAWING  |             |                       |       |
| ITEM REVISION NAME  |             | M01537EM/01           |       |
| DATASET FILE NAME   |             | M01537EM_DC52/01A     |       |
| UNLESS OTHERWISE SPECIFIED, DIMENSIONAL TOLERANCES ARE: IN [mm] |             | MATERIAL:             |       |
| .x ± .xx ± .03 [.8]   |             | SEE NOTE 3 ON SHEET 1 |       |
| .xxx ± .010 [.3]  |             | DRAWING NUMBER:       |       |
| ANGLES ±  |             | 01537-52              |       |
| THIRD ANGLE PROJECTION  |             | SHT 2 OF 2            |       |
| DRAWN BY  | DATE        | CHK                   | SCALE |
| BJN   | 11-26-07    | RJDU                  | NONE  |
| REV   | DATE        | BY                    | CHK   |
| 1   | 6-02-14     | MDJR                  | REFR  |
| 2   | 11-26-07    | BJN                   | RJDU  |
| APR   | DESCRIPTION |                       | ECN   |
|   |             |                       |       |

|     |          |      |      |     |                               |          |
|-----|----------|------|------|-----|-------------------------------|----------|
| 1   | 6-02-14  | MDJR | REFR | MMR | SEE SHEET 1 OF 2 FOR CHANGES. | 01537-52 |
| R   | 11-26-07 | BJN  | RJDU | VMB | SEE SHEET 1 OF 2 FOR CHANGES. | 01537-52 |
| REV | DATE     | BY   | CHK  | APR | DESCRIPTION                   | ECN      |
|     |          |      |      |     |                               |          |

D10100DA/14