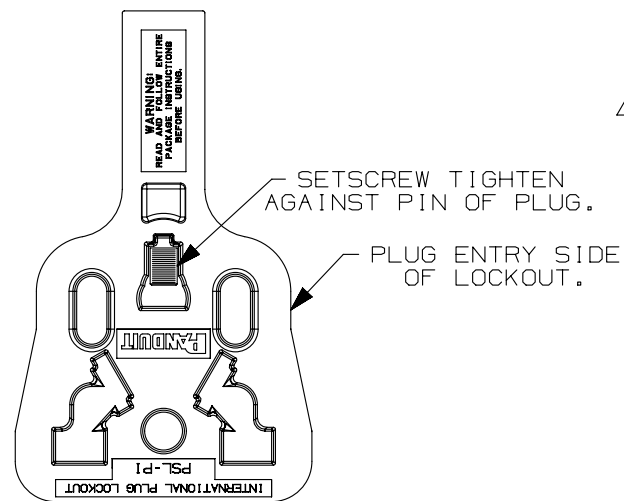
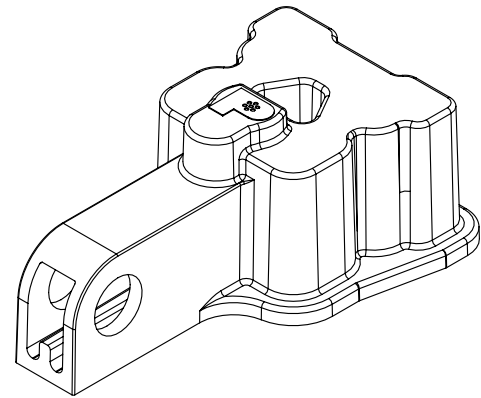
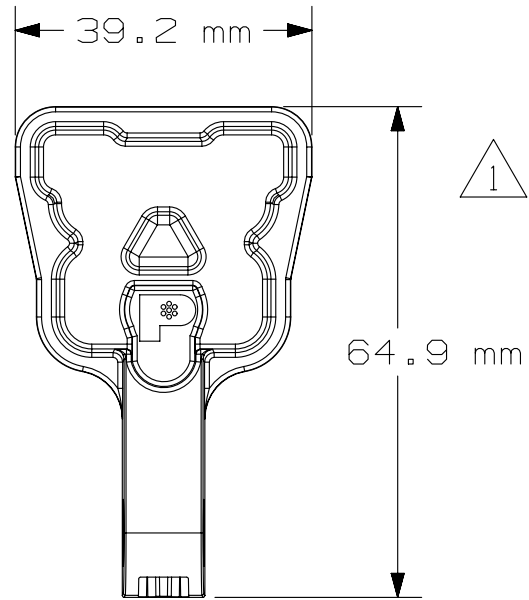
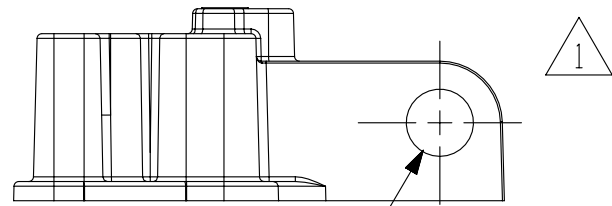
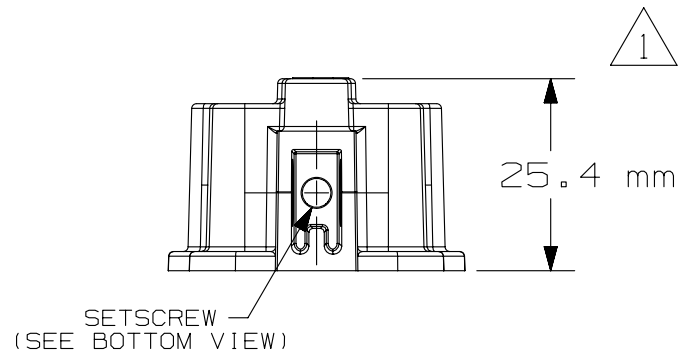
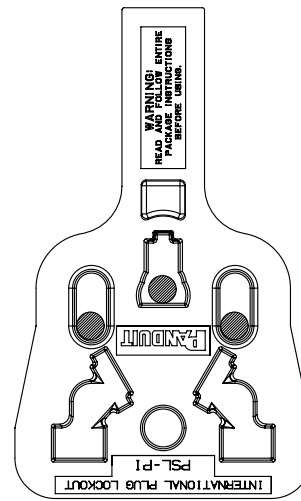


THIS COPY IS PROVIDED ON A RESTRICTED BASIS AND IS NOT TO BE USED IN ANY WAY DETRIMENTAL TO THE INTERESTS OF PANDUIT CORP.

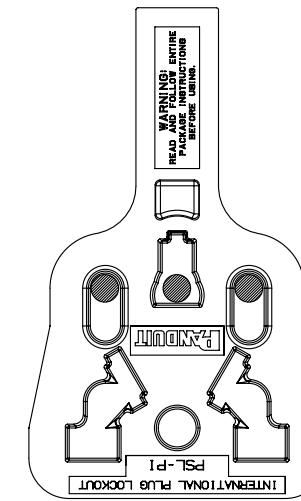


BOTTOM VIEW

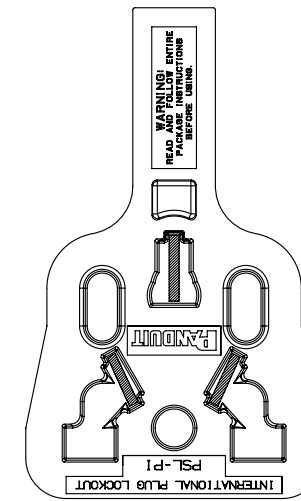
SWITZERLAND
(STANDARD SEV1011)



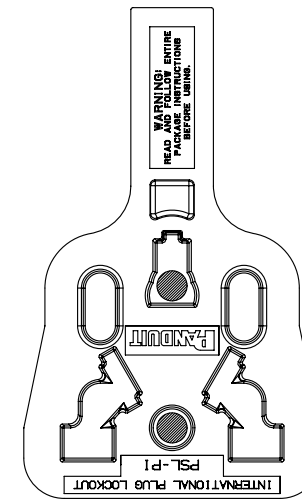
ITALY
(STANDARD CE123-16/V11)



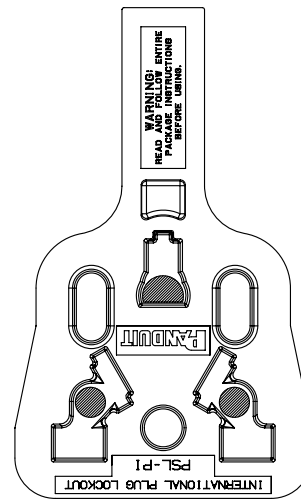
AUSTRALIA (10A/15A)
(STANDARD AS 3112)



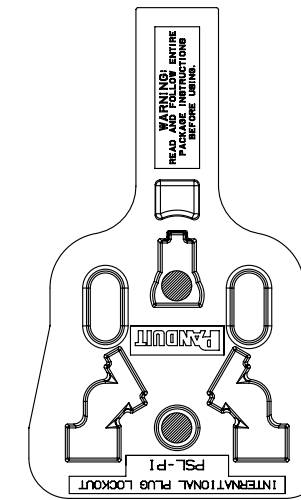
EUROPLUG
(STANDARD CEE 7/16)



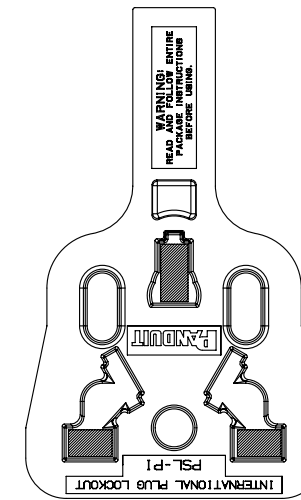
DENMARK
(STANDARD Afesnit 107-2-d)



CONTINENTAL EUROPE
(STANDARD CEE 7/7)



BRITAIN
(STANDARD BS 1363)



REV	DATE	BY	CHK	APR	DESCRIPTION	ECN
1	6/17/14	RVU	MJPF	MSAD	ADD TOLERANCES ON TITLE. REVISE THE TITLE. SHOW ALL SIDE VIEW AND TOP VIEW WITH DIMENSIONS. 9.25 mm WAS 9.65 mm. REDUCE FROM 'C' FORMAT TO 'B'.	GAECN02084
R	7/13/99	RVU			DRAWING RELEASE.	2276

TITLE PSL-PI Global Plug Lockout Device for 220-240 Volt AC/Industrial Plugs CUSTOMER DRAWING	
ITEM REVISION NAME 100619QS/01	PANDUIT
DATASET FILE NAME 100619QS_DC_C10088/01B	
UNLESS OTHERWISE SPECIFIED, DIMENSIONAL TOLERANCES ARE: IN [mm]	
.x ± 25.4	.xxx ± 6.35
.xx ± 12.7	ANGLES ± 5 °
THIRD ANGLE PROJECTION	
DRAWN BY RVU	DATE 7/13/99
CHK MSAD	SCALE NTS
DRAWING NUMBER: C10088	
SHT 1 OF 1	
SIZE B	

D10.10088/14