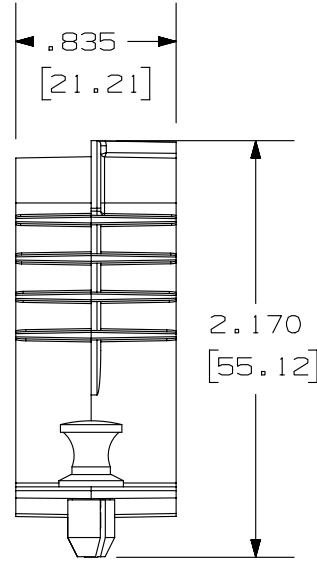
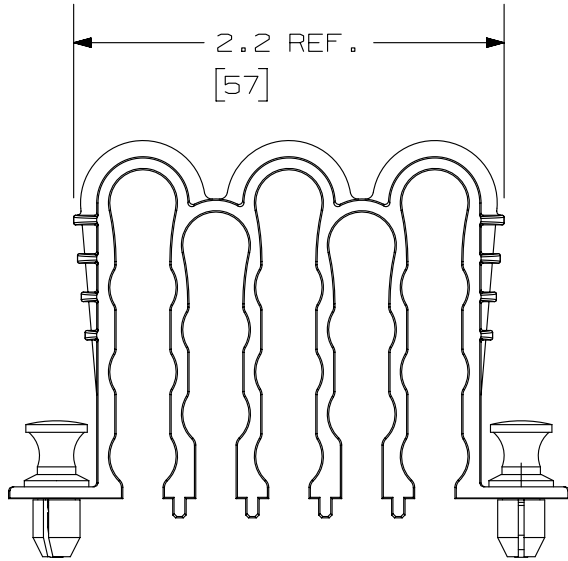
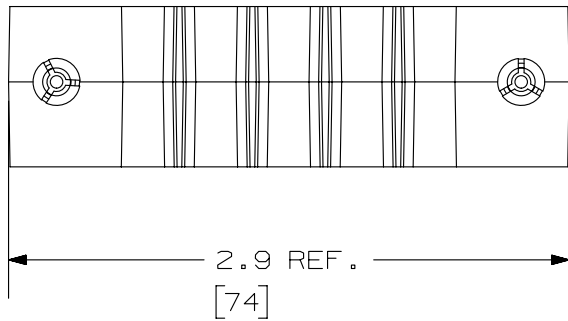
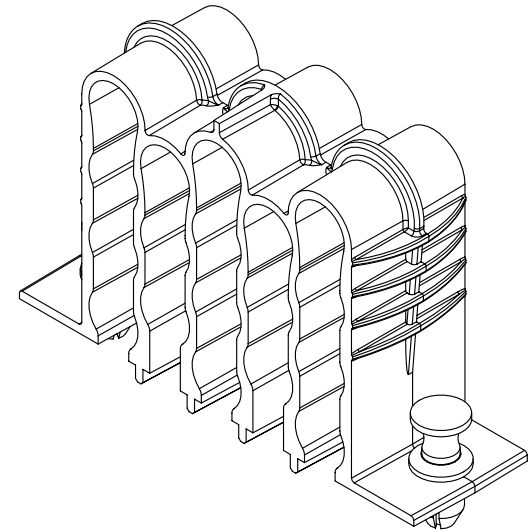


THIS COPY IS PROVIDED ON A RESTRICTED BASIS AND IS NOT TO BE USED IN ANY WAY DETRIMENTAL TO THE INTERESTS OF PANDUIT CORP.



- NOTES:
1. SEE CATALOG FOR COMPLETE LIST OF PARTS APPLICABLE FOR USE WITH THIS PART.
 2. MATERIAL: PLASTIC
 3. INCLUDES 2 TRANSITION BUNDLING CLIPS
 4. ALL MATERIALS AND COMPONENTS USED MEET THE MATERIAL RESTRICTIONS OF RoHS (EUROPEAN DIRECTIVE 2011/65/EC ON THE RESTRICTION OF HAZARDOUS SUBSTANCES) AS PROPOSED BY THE RoHS TECHNICAL ADAPTATION COMMITTEE.
 5. DIMENSIONS IN BRACKETS ARE METRIC [mm].

PANDUIT PART NO.	WEIGHT
FLEX-CLIP18	0.08 lbs (0.04 kg)



REV	DATE	BY	CHK	APR	DESCRIPTION	ECN
00	01-19-15	SAT	BSN	TMK	RELEASED TO PRODUCTION	12F187FK-DC

TITLE		18 POSITION TRANSITION BUNDLING CLIP	
CUSTOMER DRAWING			
ITEM REVISION NAME		12F187FK/00	
DATASET FILE NAME		12F187FK_DC/00A	
UNLESS OTHERWISE SPECIFIED, DIMENSIONAL TOLERANCES ARE: IN (mm)			
.x ± .xx ± .03 [0.8] .xxx ± .010 [0.3]			
ANGLES ±		PART NO.	
		FLEX-CLIP18	
DRAWN BY		DRAWING NUMBER:	
SAT		12F187FK-DC	
DATE		SHT 1 OF 1	
01-16-15		A	
CHK		SIZE	
BSN		A	
SCALE			
NONE			