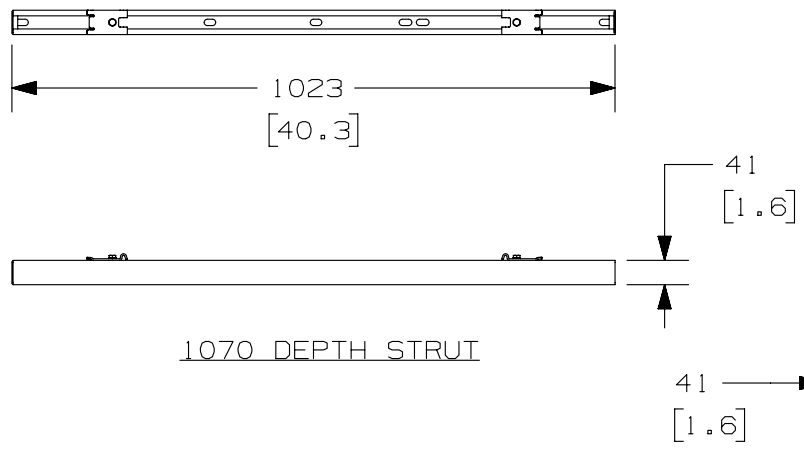
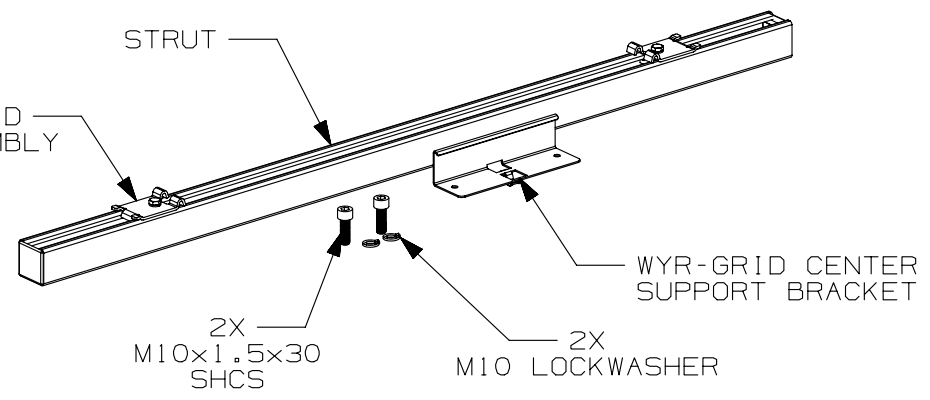
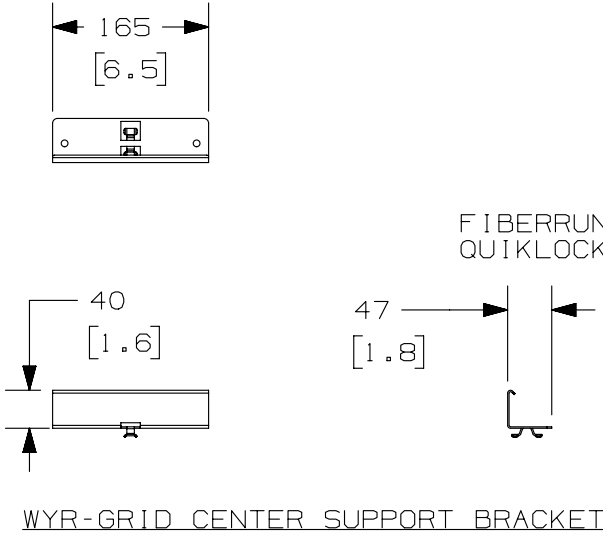


THIS COPY IS PROVIDED ON A RESTRICTED BASIS AND IS NOT TO BE USED IN ANY WAY DETRIMENTAL TO THE INTERESTS OF PANDUIT CORP.

PANDUIT PART NUMBER	WEIGHT
WGCMB1070**	7.92 LBS (3.59 kg)



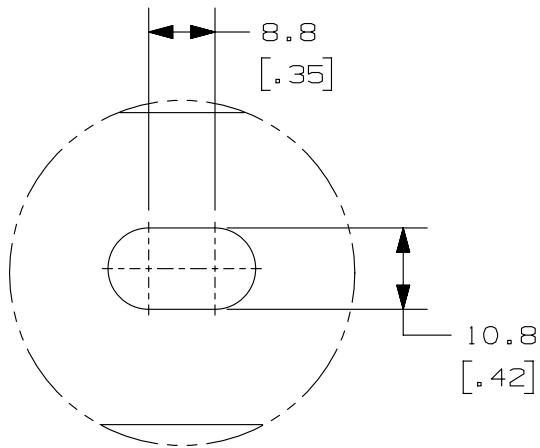
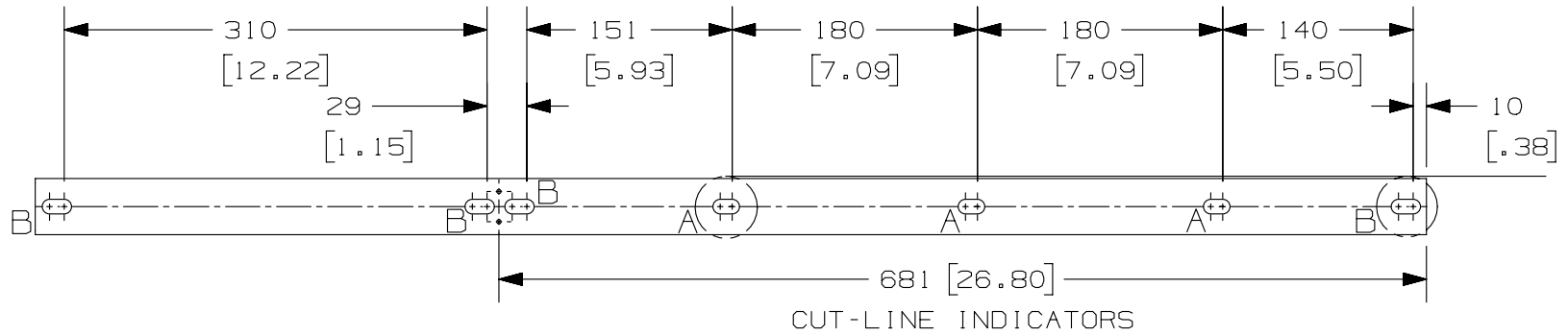
- NOTES:**
- VISIT OUR ON-LINE CATALOG AT WWW.PANDUIT.COM FOR A LIST OF CURRENT PARTS APPLICABLE FOR USE WITH THIS PRODUCT.
 - THE WYR-GRID CABINET MOUNT BRACKET 1070 PACKAGE CONTAINS THE FOLLOWING:
 ONE (1) WYR-GRID CENTER SUPPORT BRACKET
 TWO (2) FIBERRUNNER/WYR-GRID QUIKLOCK CLIP ASSEMBLY
 ONE (1) TOP OF CABINET 1070 DEPTH STRUT ASSEMBLY
 TWO (2) M10 X 1.5 X 30 SOCKET HEAD CAP SCREW
 TWO (2) M10 HELICAL SPRING LOCKWASHER
 - ALL DIMENSIONS IN PARENTHESSES ARE INCHES.



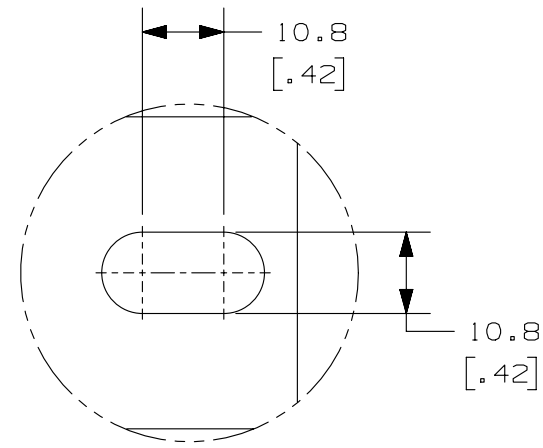
REV	DATE	BY	CHK	APR	DESCRIPTION	ECN
01A	12-15-14	TWV	DWR		RELEASED TO PRODUCTION	V09000DB

TITLE		WYR-GRID CABINET MOUNT BRACKET 1070 (WGCMB1070**)	
		CUSTOMER DRAWING	
ITEM REVISION NAME		14D419AD/01	
DATASET FILE NAME		14D419AD_DC/01A WGCMB1070**	
UNLESS OTHERWISE SPECIFIED, DIMENSIONAL TOLERANCES ARE:		MATERIAL:	
INCHES	METRIC - MILLIMETER	STEEL	
X.X +/- 0.18	X +/- 0.57		
X.XX +/- 0.10	X.X +/- 0.254		
X.XXX +/- 0.036	X.XXX +/- 0.92		
THIRD ANGLE PROJECTION		DRAWING NUMBER:	
		14D419AD-DC	
DRAWN BY	DATE	CHK	SCALE
TWV	12-15-14	DWR	NONE
SHT 1 OF 2			SIZE
			A

THIS COPY IS PROVIDED ON A RESTRICTED BASIS AND IS NOT TO BE USED IN ANY WAY DETRIMENTAL TO THE INTERESTS OF PANDUIT CORP.



DETAIL A
SCALE 1:1
TYP 3 PLCS



DETAIL B
SCALE 1:1
TYP 4 PLCS

01A	12-15-14	TWV	DWR		SEE SHT ONE FOR REVISIONS			V09000DB	
REV	DATE	BY	CHK	APR	DESCRIPTION	ECN			

TITLE				WYR-GRID CABINET MOUNT BRACKET 1070 (WGCMB1070**)			
				CUSTOMER DRAWING			
ITEM REVISION NAME				14D419AD/01			
DATASET FILE NAME				14D419AD_DC/01A WGCMB1070**			
UNLESS OTHERWISE SPECIFIED, DIMENSIONAL TOLERANCES ARE:				MATERIAL:			
INCHES		METRIC - MILLIMETER		ANGLE		STEEL	
X.X	+/- 0.18	X.X	+/- 0.57				
X.XX	+/- 0.10	X.X	+/- 2.54		+/- 1°		
X.XXX	+/- 0.036	X.XX	+/- 0.92			DRAWING NUMBER: 14D419AD-DC	
				THIRD ANGLE PROJECTION			
DRAWN BY	DATE	CHK	SCALE				
TWV	12-15-14	DWR	NONE	SHT 2 OF 2			
				SIZE A			