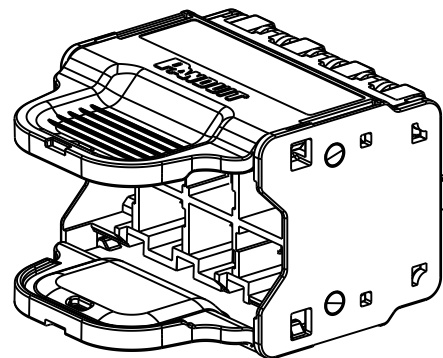
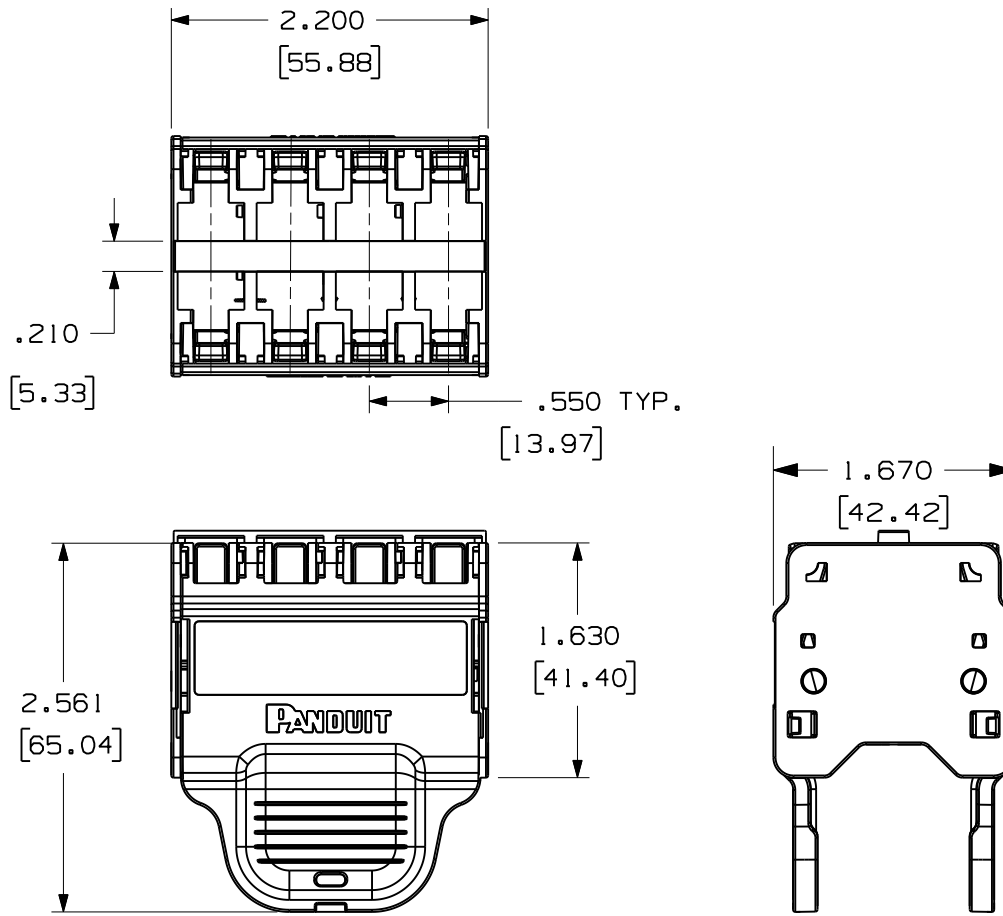


THIS COPY IS PROVIDED ON A RESTRICTED BASIS AND IS NOT TO BE USED IN ANY WAY DETRIMENTAL TO THE INTERESTS OF PANDUIT CORP.



PANDUIT PART NUMBER	COLOR	WEIGHT (APPROX)
OPPN8BU	BLUE	0.117 LB (53.1 g)
OPPN8WH	WHITE	0.117 LB (53.1 g)
OPPN8RD	RED	0.117 LB (53.1 g)
OPPN8BL	BLACK	0.117 LB (53.1 g)

NOTES:

1. AVAILABLE WITH BLUE, WHITE, RED OR BLACK RELEASE LEVERS
2. AVAILABLE WITH PATCH CORDS PREINSTALLED, BUNDLED AND LABELED. SEE CURRENT CATALOG FOR PLYG PACK ASSEMBLY PART NUMBER MATRIX.
3. GUARANTEED COMPATIBLE WITH PANDUIT PLUGS AND PATCH CORDS ONLY.
4. COMPATIBLE WITH NUMEROUS SWITCH CHASSIS AND LINE CARD DESIGNS.
5. FIT TESTING PLUG PACKS IS RECOMMENDED TO ENSURE COMPATIBILITY WITH SPECIFIC ACTIVE EQUIPMENT.
6. LOCK-IN DEVICE (OPPLD6-X) AVAILABLE TO PREVENT ACCIDENTAL PLUG PACK REMOVAL.
7. PLUG REMOVAL TOOL (OPPRT) AVAILABLE TO REMOVE INDIVIDUAL PATCH CORDS.
8. PART INCLUDES (1) 8-POSITION PLUG PACK, (2) MARKER TIES AND (2) I.D. LABEL SETS.

MODEL FILENAME	M02802AG/01	SIZE	A
DRAWING FILENAME	M02802EA_DC25/01A		
<b>QUICKNET 8 PACK PLUG PACK</b> <b>CUSTOMER DRAWING</b>			
 TINLEY PARK, IL 60487		I.I. NUMBER	
		PRODUCT SPEC/ PKG SPEC	
ALL DIMENSIONS ARE GIVEN IN INCHES, UNLESS OTHERWISE SPECIFIED. DIMENSIONAL TOLERANCES ARE: (.X) ±.03    (.XXX) ±.005 (.XX) ±.01    ANGLES ± 1°		ASSY METHOD/ TEST METHOD	
THIRD ANGLE PROJECTION		SCALE	
		.75 TO 1	
DRAWN BY		REVIEW DRAWING NUMBERS	
MDJr			
DATE		PART NO.	
10-09-07		OPPN8**	
CHK'D		DRAWING NO.	
WFM1		02802-25	
MATERIAL		ABS, GF PBT	

REV	DATE	BY	CHK	DESCRIPTION	ECN	R	CUST	SUP	OTH
I	12-1-11	BJN	JSP	B. P/N WAS OPPB** C. PACK WAS POSITION A. UPDATED MODEL TO REV 01	02802-25	JSP	JSP		
R	10-22-07	MDJr	WFM1	RELEASED TO PRODUCTION	02802-25		REGA		