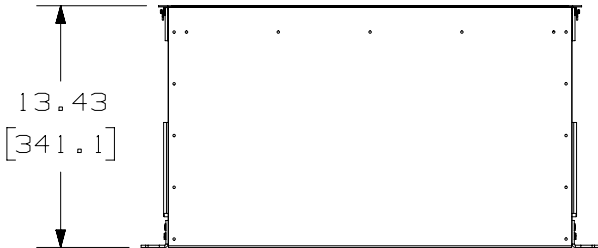
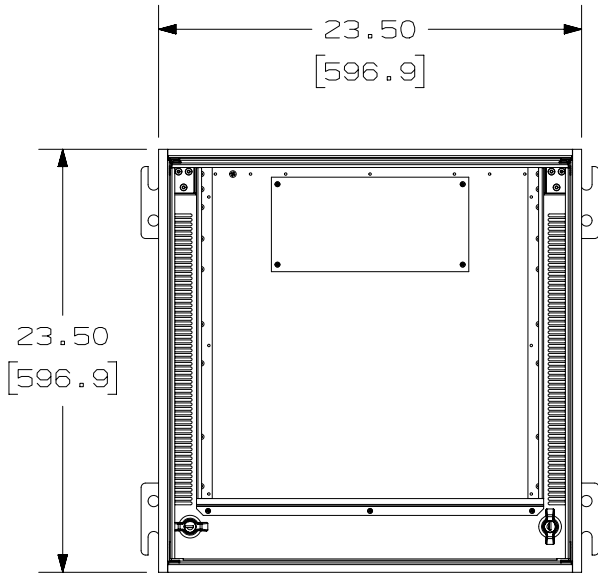


THIS COPY IS PROVIDED ON A RESTRICTED BASIS AND IS NOT TO BE USED IN ANY WAY DETRIMENTAL TO THE INTERESTS OF PANDUIT CORP.

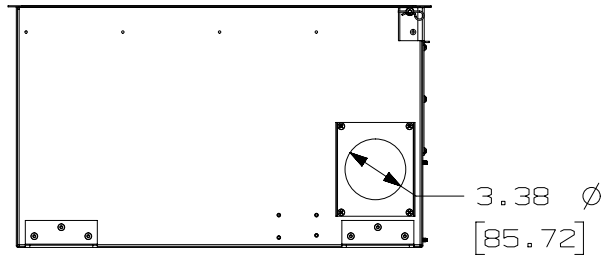


EXTERNAL DIMENSIONS

PANDUIT P/N	WEIGHT
PZICE	35.0 LB/EACH PC (15876 g/EACH PC)

NOTES:

- VISIT OUR ON-LINE CATALOG AT WWW.PANDUIT.COM FOR A LIST OF CURRENT PARTS APPLICABLE FOR USE WITH THIS PRODUCT
- DIMENSIONS IN PARENTHESES ARE METRIC.
- HINGED DOOR WITH GAS ASSIST AIR CYLINDERS FOR RESTRAINING THE LOAD ON THE CEILING DOOR WHEN OPENING.
- ACCEPTS UP TO 8 RU OF PASSIVE EQUIPMENT.
- MOUNTING BRACKETS FOR MOUNTING THE ENCLOSURE.
- INTEGRATED HORIZONTAL SLACK MANAGER FOR MANAGING AND SECURING CABLE BUNDLES TO THE ENCLOSURE.
- TWENTY HOOK AND LOOP TIES FOR BUNDLING CABLES.
- KEYS FOR LOCKING LATCH FOR SECURING THE CEILING DOOR.
- CEILING TILE BRACKETS AND CUTOUT TEMPLATE FOR INSERTING CEILING TILE ON THE ENCLOSURE DOOR.
- DOOR WEIGHT CAPACITY IS 50LBS.
- UL 2043 PLENUM RATED AND UL 1863 RATED.
- SIX SNAP BUSHINGS THAT FIT AROUND SIDE WALL KNOCKOUTS TO PROTECT CABLES FROM SHARP EDGES.
- THIS PASSIVE ENCLOSURE CAN BE CONVERTED TO A 220V ACTIVE ENCLOSURE WITH A SCHUKO STYLE PLUG FOR USE IN EUROPE WITH THE INSTALLATION OF OPTIONAL FAN KIT PZICFK-E



TITLE
PASSIVE 2X2 IN-CEILING ZONE CABLING ENCLOSURE WITH DOOR DAMPER
 CUSTOMER DRAWING

ITEM REVISION NAME
V10447AB/02

DATASET FILE NAME
V10447AB_DC/02E

UNLESS OTHERWISE SPECIFIED, DIMENSIONAL TOLERANCES ARE:
 INCHES +/- 0.03 METRIC - MILLIMETER +/- 0.8
 X.X +/- 0.018 X.X +/- 0.46 ANGLE +/- 1°
 X.XX +/- 0.007 X.XX +/- 0.18

MATERIAL:
STEEL



DRAWING NUMBER:
10447-62

THIRD ANGLE PROJECTION

DRAWN BY: **RYB** DATE: **12/6/07** CHK: SCALE: **3:32**

REV	DATE	BY	CHK	APR	DESCRIPTION	ECN
02E	9-19-16	TWV	JEFK	KRKE	UPDATED NOTES, ADDED DIAMETER DIMENSION	10447-62-DC
02C	2-23-15	RYB			UPDATED NOTES	M09000AE
00	12-6-07	RYB			RELEASED TO PRODUCTION	10447-62

REV	DATE	BY	CHK	APR	DESCRIPTION	ECN	DRAWN BY	DATE	CHK	SCALE	SHT 1 OF 3	SIZE
							RYB	12/6/07		3:32	SHT 1 OF 3	A