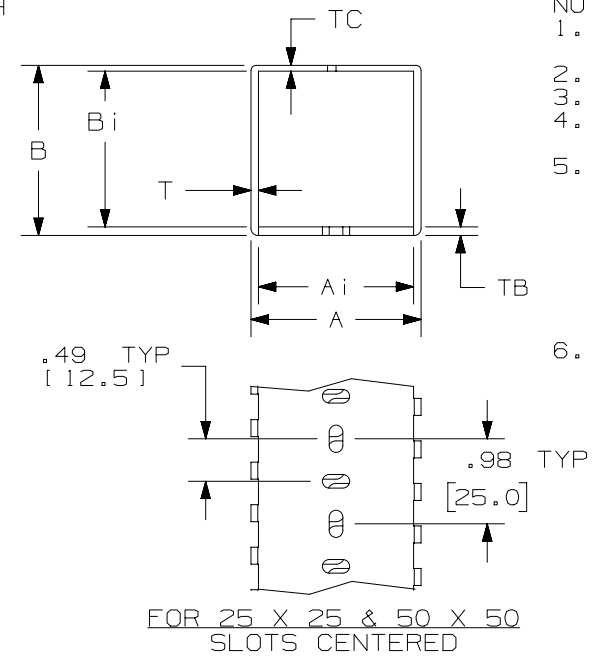
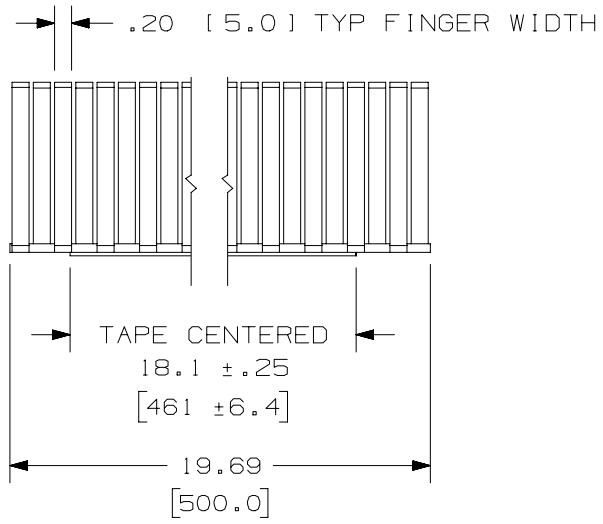
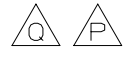
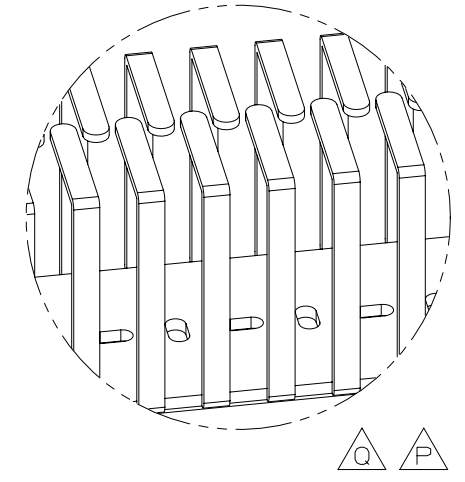
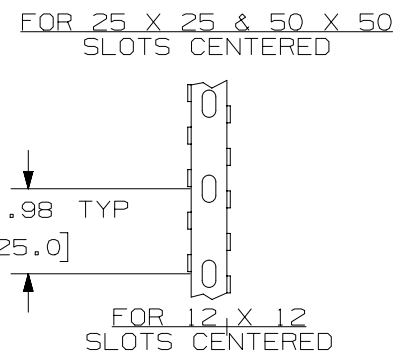
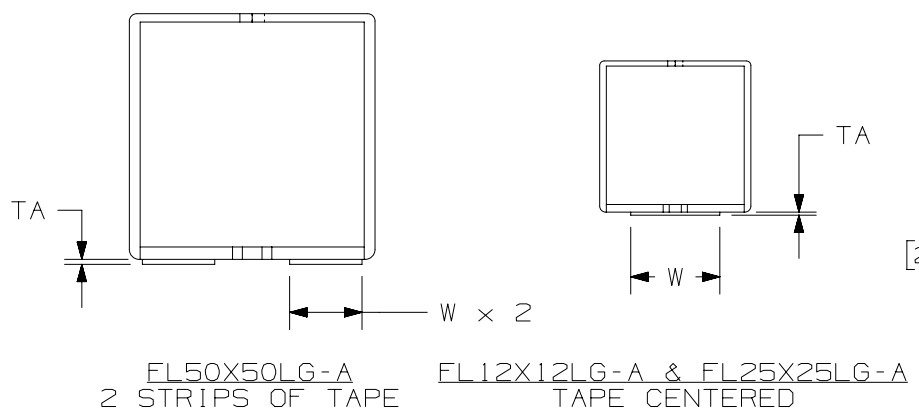


THIS COPY IS PROVIDED ON A RESTRICTED BASIS AND IS NOT TO BE USED IN ANY WAY DETRIMENTAL TO THE INTERESTS OF PANDUIT CORP.



- NOTES:
1. DIMENSIONS IN PARENTHESES ARE IN METRIC.
  2. COLOR: LIGHT GREY
  3. "TA" DIMENSION IS REFERENCE ONLY.
  4. MOUNTING HOLE SLOT DIMENSIONS: .16 (4.0) X .31 (8.0) - TYP.
  5. NO WARRANTY, EXPRESSED OR IMPLIED, IS MADE BY PANDUIT WITH THE RESPECT TO ADHESIVE BOND PERFORMANCE. AMONG OTHER THINGS, THE CONDITIONS UNDER WHICH THESE DUCTS MAY BE APPLIED AND/OR THE SURFACE TO WHICH THEY MAY BE APPLIED ARE BEYOND PANDUIT'S CONTROL.
  6. ONE COMPLETE MOUNTING HOLE ON BOTH ENDS OF DUCT WILL NOT BE COVERED BY TAPE.



D10100DA/14

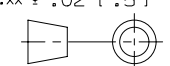
REV	DATE	BY	CHK	APR	DESCRIPTION	ECN
10	03-09-15	JBN	MRJS	RGRO	Q. REVISED DIMENSIONS AND TOLERANCES	38086-03
9	02-26-13	JBN	RTFI	RTFI	P. UPDATED DRAWING BORDER & TITLE BLOCK	38086-03

<p>TITLE</p> <p align="center"><b>FLEXIBLE DUCT</b> SIZES: 12mm, 25mm, 50mm</p> <p align="center">CUSTOMER DRAWING</p>					
<p>ITEM REVISION NAME</p> <p align="center">D38086BC/02</p>					
<p>DATASET FILE NAME</p> <p align="center">D38086BC_DC/02A</p>					
<p>UNLESS OTHERWISE SPECIFIED, DIMENSIONAL TOLERANCES ARE: IN [ mm ]</p> <p>.x ± .xxx ± .xx ± .02 [ .5 ]      ANGLES ±</p>					
<p>MATERIAL:</p> <p align="center"><b>POLYPROPYLENE</b></p>			<p>DRAWING NUMBER:</p> <p align="center">38086-03</p>		
<p>DRAWN BY</p> <p>JCST</p>	<p>DATE</p> <p>04-10-01</p>	<p>CHK</p> <p>JKG</p>	<p>SCALE</p> <p>NONE</p>	<p>SHT 1 OF 2</p>	<p>SIZE</p> <p>A</p>

THIS COPY IS PROVIDED ON A RESTRICTED BASIS AND IS NOT TO BE USED IN ANY WAY DETRIMENTAL TO THE INTERESTS OF PANDUIT CORP.

PANDUIT P/N	A X B ±.04 [1.0]	Ai x Bi ±.04 [1.0]	T	TB	TC	T, TB, TC TOLERANCES	TAPE QTY. W X TA	WEIGHT	PKG. QTY.
	FL12X12LG-A	.49 X .49 [12.5 X 12.5]	.40 x .40 [10.3 x 10.6]	.04 [1.0]	.04 [1.1]	.04 [0.9]	±.006 [.15]	1 .24 [6.1] X .04 [1.0]	0.03 lb/ea [12.3 g/ea]
FL25X25LG-A	.98 X .98 [25.0 X 25.0]	.90 x .90 [21.8 x 22.3]	.06 [1.5]	.06 [1.6]	.05 [1.2]	±.015 [.38]	1 .58 [14.7] X .04 [1.0]	0.07 lb/ea [33.3 g/ea]	70
FL50X50LG-A	1.97 X 1.97 [50.0 X 50.0]	1.80 x 1.80 [45.0 x 45.0]	.09 [2.2]	.10 [2.5]	.07 [1.7]	±.025 [.64]	2 .58 [14.7] X .04 [1.0]	0.23 lb/ea [103.3 g/ea]	32

REV	DATE	BY	CHK	APR	DESCRIPTION	ECN
10	03-09-15	JBN	MRJS	RTFI	SEE SHEET 1 FOR DESCRIPTION OF CHANGES	38086-03
9	02-26-13	JBN	RTFI	RTFI	SEE SHEET 1 FOR DESCRIPTION OF CHANGES	38086-03

TITLE <b>FLEXIBLE DUCT SIZES: 12mm, 25mm, 50mm</b> CUSTOMER DRAWING	
ITEM REVISION NAME D38086BC/02	<b>PANDUIT</b>
DATASET FILE NAME D38086BC_DC/02A	
UNLESS OTHERWISE SPECIFIED, DIMENSIONAL TOLERANCES ARE: IN ( mm )	
.X ± .XX ± .02 [ .5 ]	.XXX ± ANGLES ±
THIRD ANGLE PROJECTION 	
DRAWN BY JCST	DATE 04-10-01
CHK JKG	SCALE NONE
DRAWING NUMBER: 38086-03	
SHT 2 OF 2	
SIZE A	

D10100DA/14