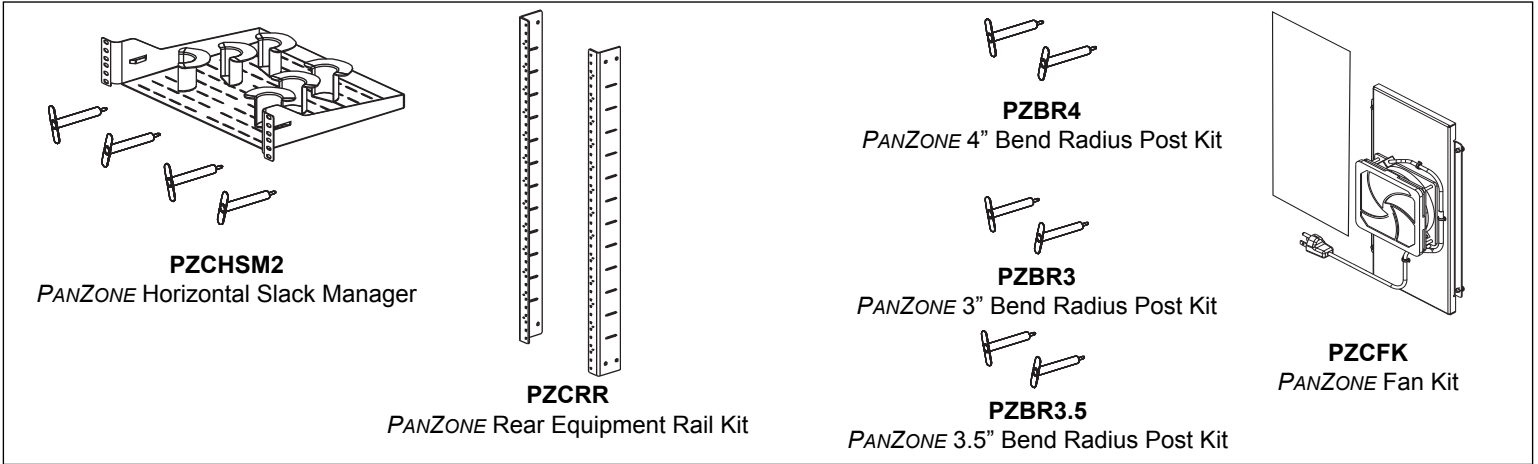


INSTRUCTIONS V00030AF

© Panduit Corp. 2015

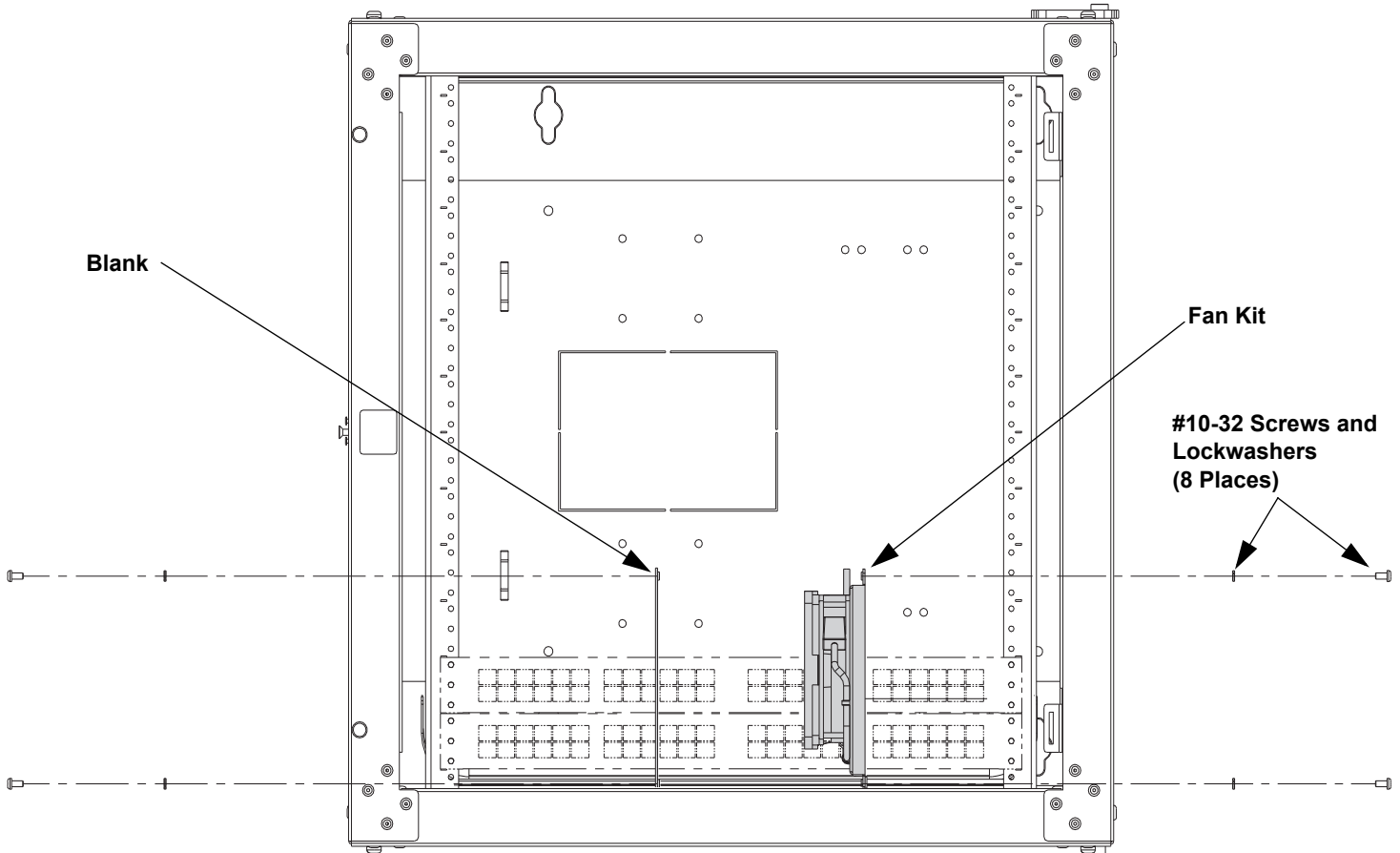


PANZONE Fan Kit (PZCFK)

Fan kits are installed using (4) #10-32 screws and lockwashers provided with kit as shown below. If only one fan kit is used, install the provided blank on the opposite wall using (4) #10-32 screws and lockwashers provided.

Scenario 1: Switches not exceeding 120 watts of total heat output use fan kit as shown.

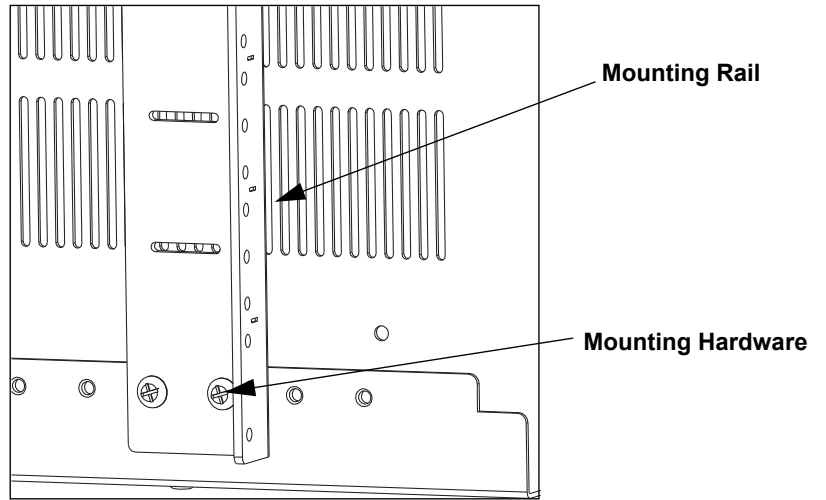
Scenario 2: POE (Power over Ethernet) or switches totaling over 120 watts of total heat, use two fan kits mount second fan where blank is shown.



Note: When using switches with side air intake and opposite side exhaust use one fan without fan blank

Mounting Rail Installation (PZCRR)

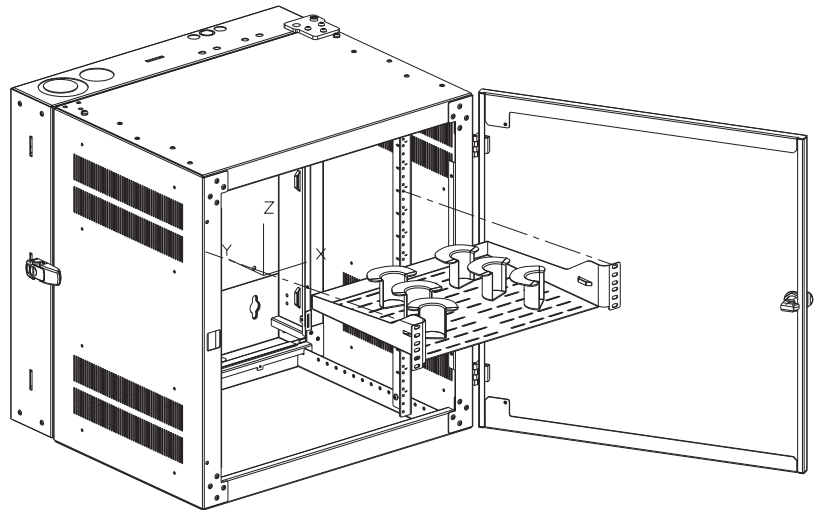
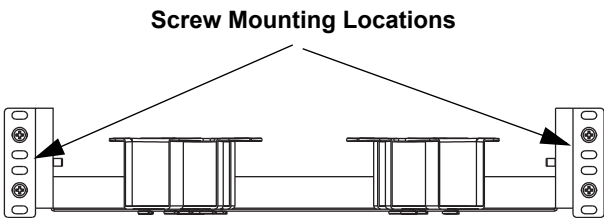
To install mounting rail use (4)#12-24 screws at desired location as shown below



PANZONE Horizontal Slack Manager

Install tray using (4) #12-24 x 1/2 screws provided at desired RU as shown in figure 3. Refer to recommended layout section for optimal mounting location(s).

Figure 3



Bend Radius Post Installation

Bend radius posts can be installed at any rack location using (1)#12-24 x 2.5" [(1) #12-24 x 1.5" for PZBR3]screw provided as shown in Figure 1. Post can be customized by removing tabs as show in Figure 2.

Note: Post may be installed over active equipment mounting locations

Figure 1

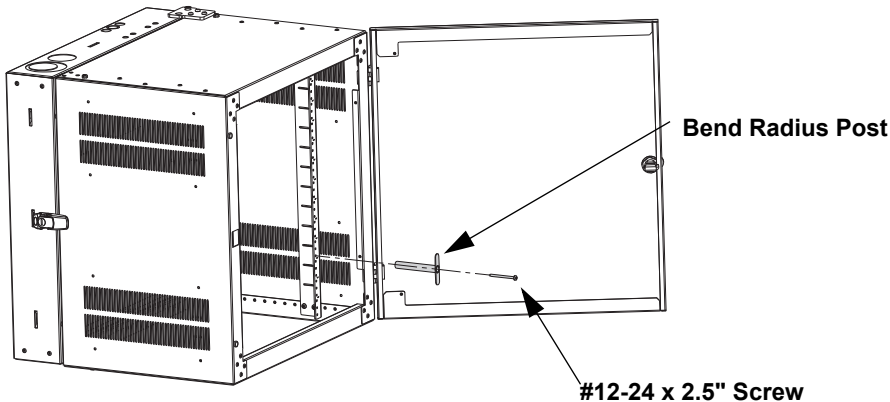
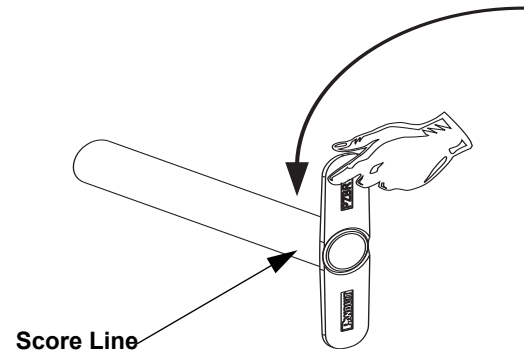
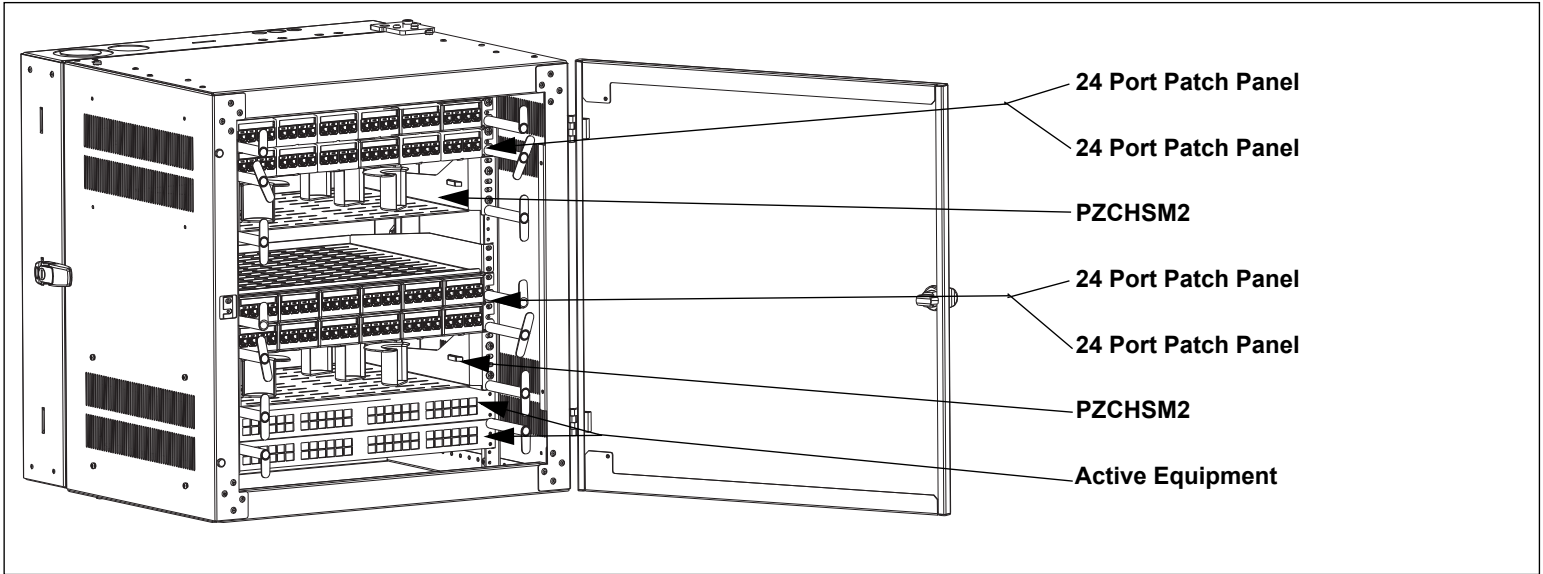


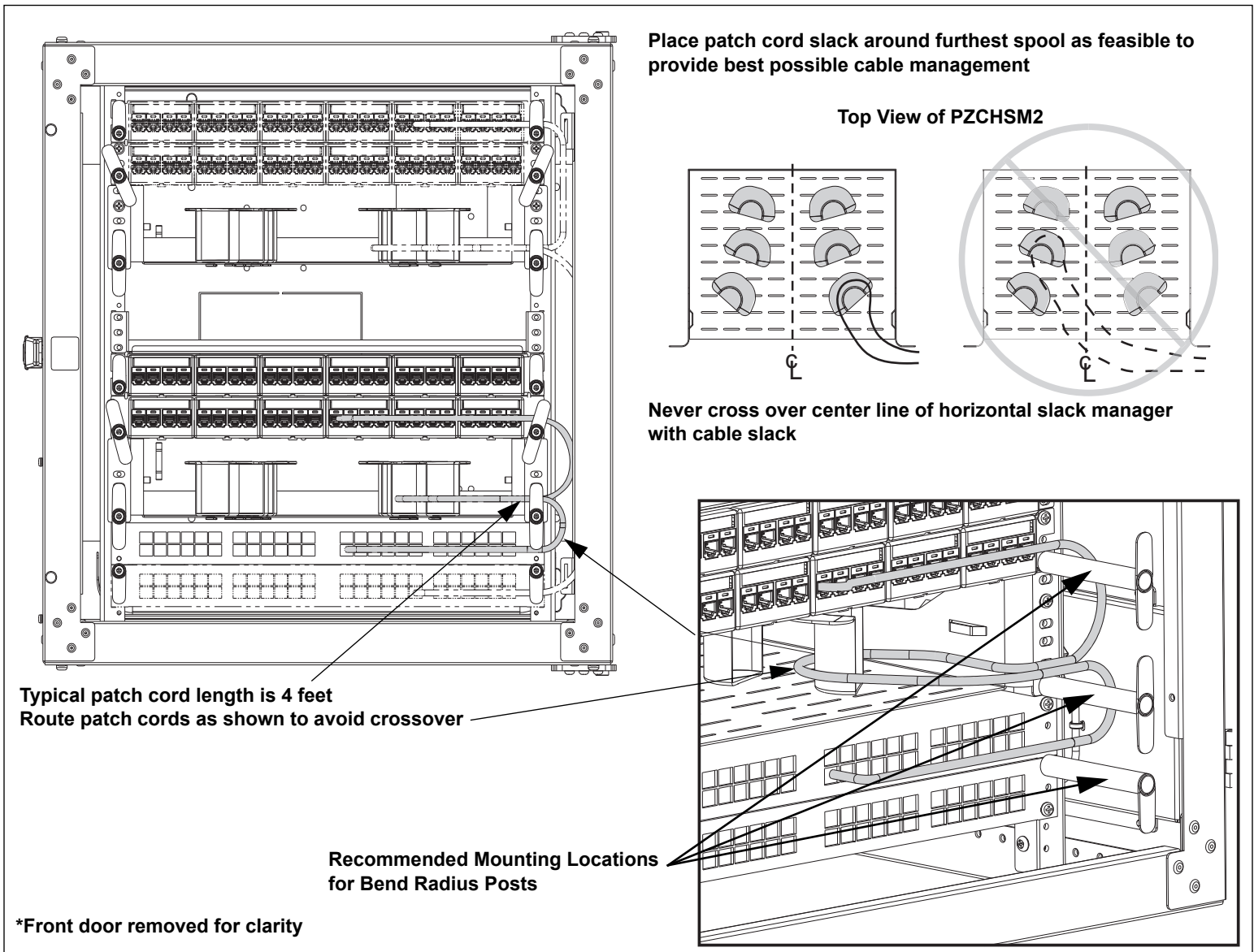
Figure 2



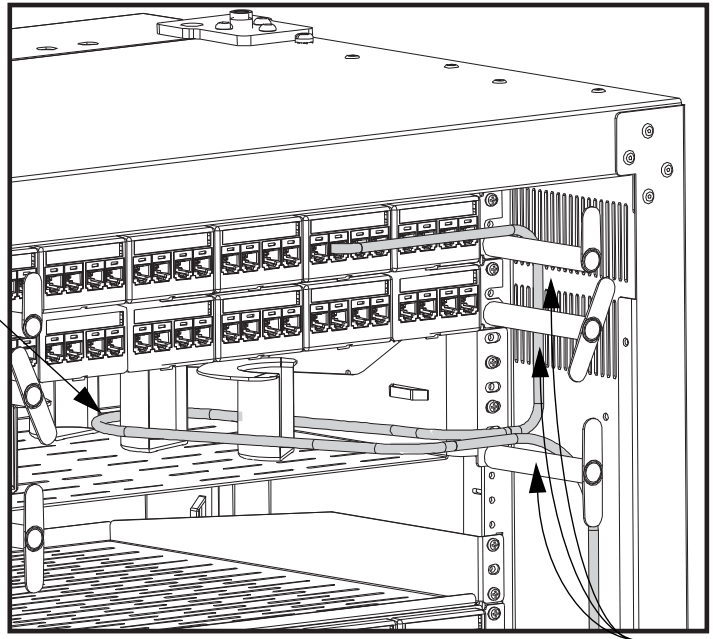
Recommended Layout



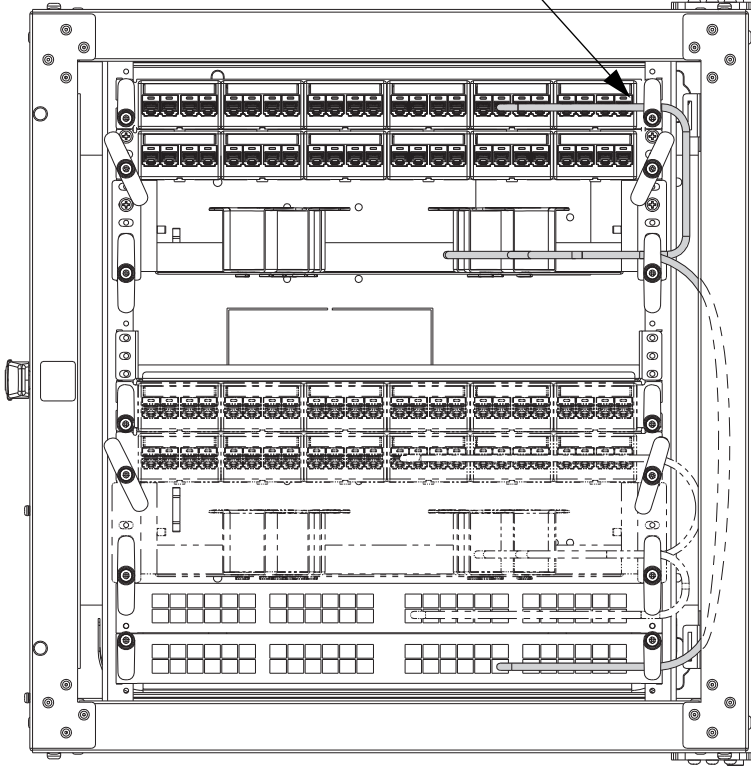
Recommended Cable Routing Guide



Typical patch cord length is 5 feet
Route patch cords as shown to avoid crossover



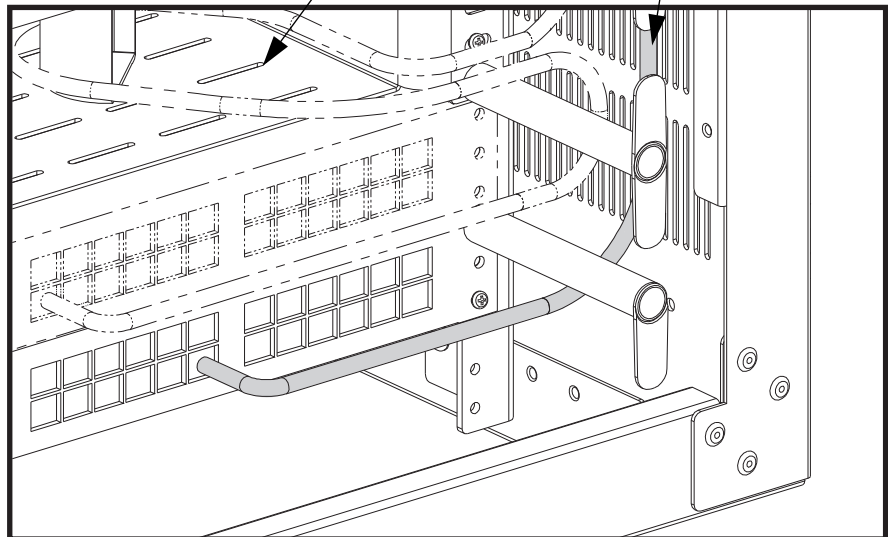
Recommended Mounting Locations for Bend Radius Posts



Route patch cords going to top horizontal slack manager towards the outside of the cabinet to avoid cross overs with patch cords going to lower slack manager

Lower Horizontal Manager

Routed to top horizontal slack manager



*Front door removed for clarity

For instructions in Local Languages
and Technical Support:

www.panduit.com/resources/install_maintain.asp

PANDUIT

www.panduit.com

E-mail:
techsupport@panduit.com

Phone:
866-405-6654