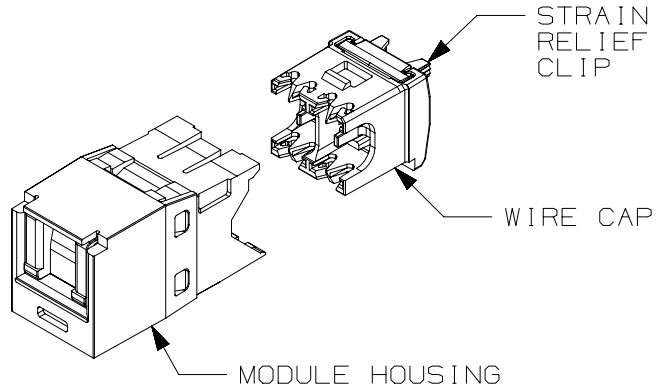


THIS COPY IS PROVIDED ON A RESTRICTED BASIS AND IS NOT TO BE USED IN ANY WAY DETRIMENTAL TO THE INTERESTS OF PANDUIT CORP.

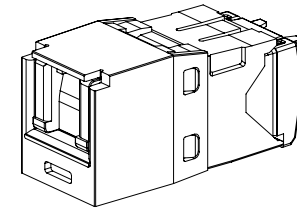
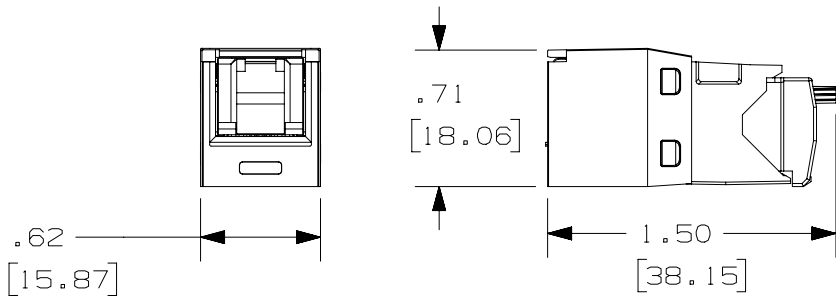
PANDUIT PART#	DESCRIPTION	WEIGHT*
CJH5E88TG** CJH688TG**	8 POSITION, 8 WIRE UNIVERSAL MODULE. TERMINATION CAP IS COLOR CODED FOR T568A AND T568B WIRING SCHEMES.	1.53 LB/100 PCS (695g/100 PCS)



*WEIGHT IS APPROXIMATE
**JACK COLOR SUFFIX

NOTES:

1. RED WIRE CAP DESIGNATES CATEGORY 5e PERFORMANCE.
2. WHITE WIRE CAP DESIGNATES CATEGORY 6 PERFORMANCE.
3. SEE CURRENT CATALOG FOR AVAILABLE PART NUMBER SUFFIXES TO INDICATE COLOR AND OR PACKAGE QUANTITY.
4. MATERIAL:
MODULE HOUSING - ABS
WIRE CAP - PC
STRAIN RELIEF CLIP - PC
5. ALL CATEGORY 5E & 6 8 POSITION, 8 WIRE CONNECTOR MODULES ARE UNIVERSAL IN DESIGN. THEY ACCEPT SIX AND EIGHT POSITION MODULAR PLUGS WITHOUT DAMAGE.
6. DIMENSIONS IN PARENTHESES ARE IN METRIC.
7. SPRING SHUTTERED DOOR OPENS AND CLOSES AUTOMATICALLY WITH PLUG INSERTION AND REMOVAL.
8. SHUTTERED DOOR PREVENTS THE ACCUMULATION OF DUST PER IP-40 PROTECTION RATING STANDARDS.



ACTUAL SIZE

PART NUMBER		SEE TABLE	
TITLE			
MINI-COM CAT5E & CAT6 UTP SPRING SHUTTERED JACK MODULE			
CUSTOMER DRAWING			
ITEM REVISION NAME		14M542AD/00	
DATASET FILE NAME		14M542AD_DC02/00A	
UNLESS OTHERWISE SPECIFIED, DIMENSIONAL TOLERANCES ARE: IN (mm)		MATERIAL:	
.X ± .XX ±		.XXX ± ANGLES ±	
		PANDUIT	
THIRD ANGLE PROJECTION		SEE NOTES	
DRAWING NUMBER:		14M542AD-02	
DRAWN BY	DATE	CHK	SCALE
BJN	5-27-15	ROJC	FULL
SHT 1 OF 1			SIZE A

REV	DATE	BY	CHK	APR	DESCRIPTION	ECN
R	5-27-15	BJN	ROJC	FMS	RELEASED TO PRODUCTION	14M542AD-02

D10100DA/14