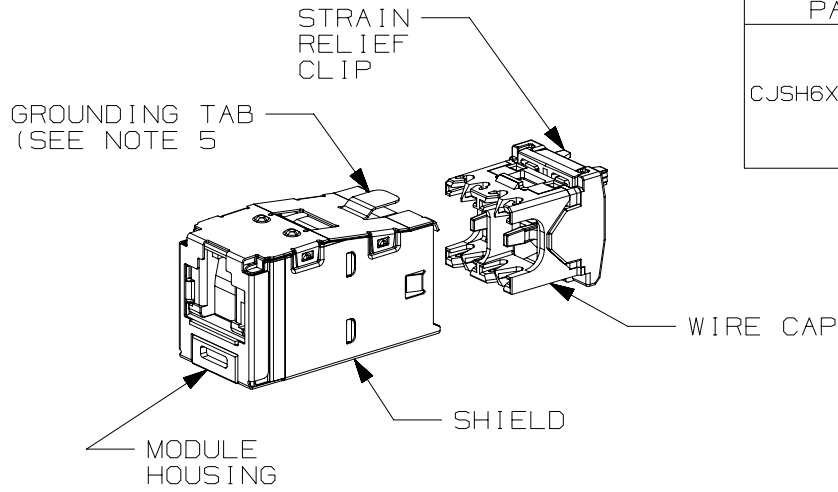


THIS COPY IS PROVIDED ON A RESTRICTED BASIS AND IS NOT TO BE USED IN ANY WAY DETRIMENTAL TO THE INTERESTS OF PANDUIT CORP.

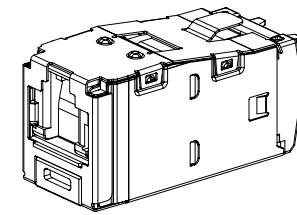
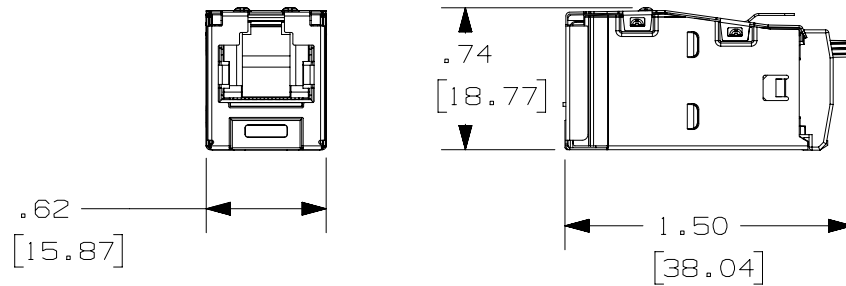


PART#	COLOR	DESCRIPTION	WEIGHT*
CJSH6X88TG**Y	BLACK RED BLUE GREEN VIOLET YELLOW	8 POSITION, 8 WIRE SHIELDED MODULE WITH INTEGRAL SHIELD. TERMINATION CAP IS COLOR CODED FOR T568A AND T568B WIRING SCHEMES.	3.314 LB/100 PCS (1503g/100 PCS)

*WEIGHT IS APPROXIMATE
**JACK COLOR SUFFIX

NOTES:

1. BLUE TERMINATION CAP DESIGNATES CATEGORY 6A PERFORMANCE.
2. MATERIAL:
MODULE HOUSING- ABS
SHIELD - TIN PLATED PHOS. BRONZE.
WIRE CAP/CLIP- ZINC AND PC
3. ALL CATEGORY 6A, 8 POSITION, 8 WIRE JACK MODULES ARE UNIVERSAL IN DESIGN. THEY ACCEPT SIX AND EIGHT POSITION MODULAR PLUGS WITHOUT DAMAGE.
4. DIMENSIONS IN PARENTHESES ARE IN METRIC.
5. .187 x .010" GROUNDING TAB PROVIDED AS OPTIONAL CONDUCTIVE PATH FOR GROUNDING.
6. ONLY THE 6 COLORS LISTED IN THE TABLE ARE AVAILABLE.
7. SHUTTER DOOR OPENS AND CLOSES AUTOMATICALLY WITH PLUG INSERTION AND REMOVAL.
8. SHUTTER DOOR PREVENTS THE ACCUMULATION OF DUST PER IP-40 PROTECTION RATING STANDARDS.



ACTUAL SIZE

PART NUMBER		CJSH6X88TG**Y	
TITLE			
MINI-COM CAT6A STP SPRING SHUTTERED JACK MODULE			
CUSTOMER DRAWING			
ITEM REVISION NAME		14M542AE/02	
DATASET FILE NAME		14M542AE_DC02/02A	
UNLESS OTHERWISE SPECIFIED, DIMENSIONAL TOLERANCES ARE: IN (mm)		MATERIAL:	
.X ±		.XXX ±	
.XX ±		ANGLES ±	
DRAWING NUMBER:		14M542AE-02	
THIRD ANGLE PROJECTION	SEE NOTES		
DRAWN BY	DATE	CHK	SCALE
BJN	5-29-15	ROJC	FULL
SHT 1 OF 1			SIZE
			A

REV	DATE	BY	CHK	APR	DESCRIPTION	ECN
2	2-16-17	ROJC	NAGL	TMBA	B. UPDATED MODEL REVISION	14M542AE-02
1	11-10-15	BJN	ROJC	FMS	A. UPDATED DWG TO SHOW STRAIN RELIEF CLIP AS PART OF WIRE CAP	14M542AE-02
R	5-29-15	BJN	ROJC	FMS	RELEASED TO PRODUCTION	14M542AE-02

D10100DA/14