

HD Flex™ Fiber Panel

specifications

The HD Flex Fiber Panel shall house, organize, manage and protect fiber optic trunk cables, terminations, splices, connectors and patch cords as well as accommodate all HD Flex cassettes and fiber adapter panels (FAP). The Panels provide front and rear access, regardless of how many are stacked together. The Panels allow cassettes and FAPs to be installed by sliding them into the front or the rear of the patch panel which allows each individual cassette or FAP to be removed with minimal disruption to other cassettes or FAPs.

Panels are constructed of steel material and can be ordered in either 4-port, 6-port or 12-port configurations that accept either 4-port, 6-port and 12-port cassettes or FAPs.



technical information

Mounting:	Integral mounting flange for installation in 19" wide EIA-310 racks
Material:	Steel and plastic

key features and benefits

Modular design accepts up to 12 HD Flex Fiber Cassettes or Fiber Adapter Panels per rack unit	Provides higher patch field density in fewer rack units saving valuable rack space
Compatible with all HD Flex Fiber Cassettes and Fiber Adapter Panels	Provides versatility and flexibility with a fully modular solution for a variety of pre-terminated installations
Rack/cabinet rail mounting cable management bracket	Provides template for additional mounting of cables, moving cable from back of enclosure to side of enclosure resulting in easy access to connections for improved serviceability
Front and rear accessibility	Allows access to connections from front or rear of rack/cabinet facilitating easy moves, adds and changes without disruption of network connections
Ultra-light weight	Makes the panel easy to install within or above a cabinet or rack
Convertible between 4-port, 6-port and 12-port cassettes and fiber adapter panels	Accommodates current and future optical connectivity options, duplex and parallel fiber

applications

HD Flex Fiber Optic Panels provide a system for managing fiber terminations, connections, and patching in all types of applications. The panels are a component of the HD Flex Fiber Cabling System. They are ideal for fast, flexible and reliable patch field solutions within main, horizontal and/or equipment distribution areas (MDA, HDA and EDA).

HD Flex Fiber Panel*

1 RU 4-port panel:	FLEX1UPN04
1 RU 6-port panel:	FLEX1UPN06
1 RU 12-port panel:	FLEX1UPN12
2 RU 4-port panel:	FLEX2UPN04
2 RU 6-port panel:	FLEX2UPN06
2 RU 12-port panel:	FLEX2UPN12
4 RU 4-port panel:	FLEX4UPN04
4 RU 6-port panel:	FLEX4UPN06
4 RU 12-port panel:	FLEX4UPN12

HD Flex Trunk Slack Plates+

1 RU:	FLEX-PLATE1U
2 RU:	FLEX-PLATE2U
4 RU:	FLEX-PLATE4U

HD Flex Panel Trunk Slack Plate and Cover Kits^

1 RU:	FLEX-PLATE1UPR
2 RU:	FLEX-PLATE2UPR
4 RU:	FLEX-PLATE4UPR

HD Flex Trunk Cable Managers

Universal Trunk Managers

12-fiber transition capacity:	FLEX-CM12S
18-fiber transition capacity:	FLEX-CM18S

PatchRunner™ Trunk Managers

12-fiber transition capacity:	FLEX-CM12C
18-fiber transition capacity:	FLEX-CM18C

HD Flex Front Cable Managers*

1 RU:	FLEX-FCM1UA
2 RU:	FLEX-FCM2UA
4 RU:	FLEX-FCM4UA

HD Flex Rear Cable Managers*®

1 RU:	FLEX-RCM1U
2 RU:	FLEX-RCM2U
4 RU:	FLEX-RCM4U

HD Flex Trunk Transition Clips

12-fiber capacity:	FLEX-CLIP12
18-fiber capacity:	FLEX-CLIP18

* Add WH at end of the part number for white.
+ These plates are standalone and are not compatible with covers. If a cover is required then the kits with a plate and cover should be ordered.

^ The plate and cover kits are ordered to protect the trunk cables. The covers are not sold separately.

Add W at the end of the part number for white.

® Either the Rear Cable Manager or the Trunk Slack Plates can be installed.

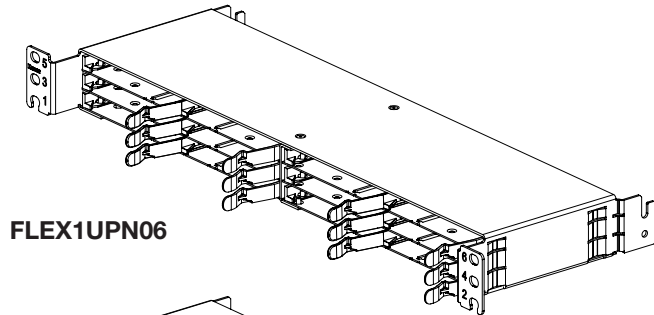
HD Flex Fiber Panel

fiber capacity

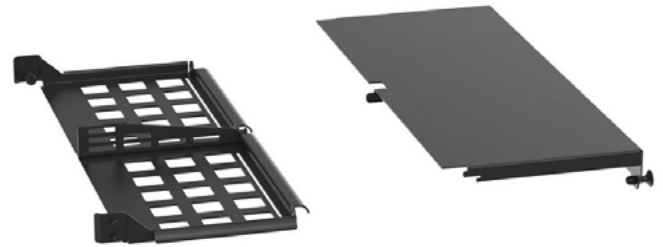
Description	Panel		
	1 RU	2 RU	4 RU
Cassettes: MPO to Duplex LC	144	288	576
FAP: 12F MPO	864	1728	3456
FAP: 24F MPO	1728	3456	6912

For dimensions, please go to www.panduit.com for the part drawings.

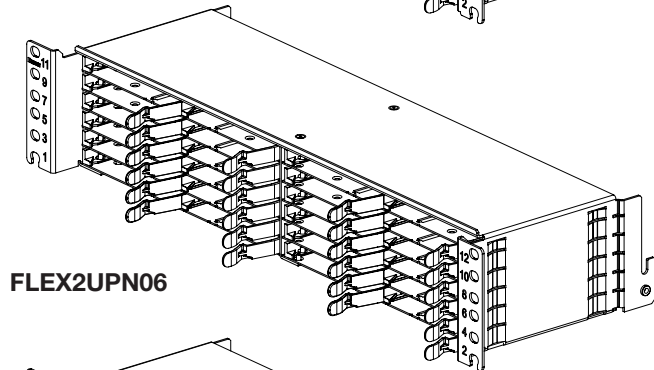
hd flex fiber panel



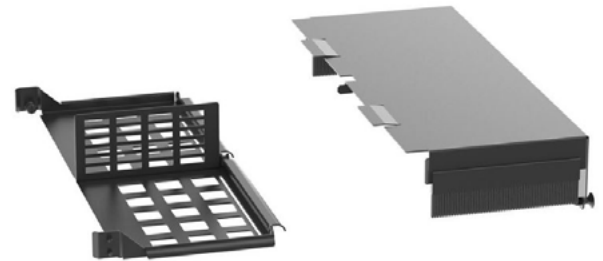
FLEX1UPN06



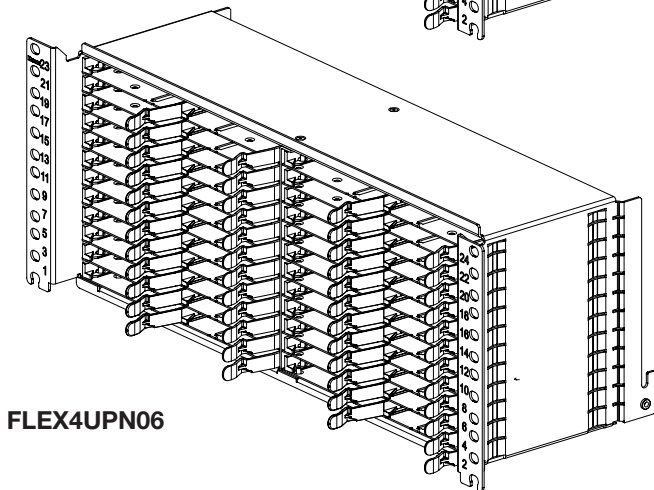
FLEX-PLATE1UPR



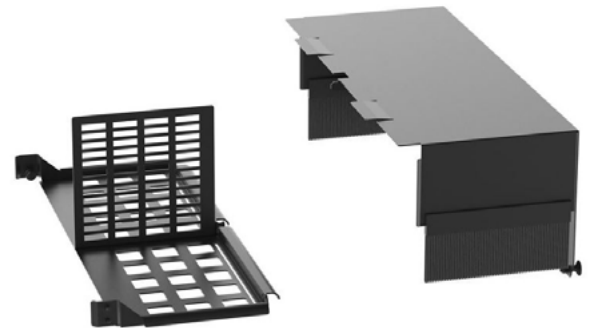
FLEX2UPN06



FLEX-PLATE2UPR



FLEX4UPN06



FLEX-PLATE4UPR

Dimensions are in inches. [Dimensions in brackets are metric].

WORLDWIDE SUBSIDIARIES AND SALES OFFICES

PANDUIT US/CANADA
Phone: 800.777.3300

PANDUIT EUROPE LTD.
London, UK
Phone: 44.20.8601.7200

PANDUIT SINGAPORE PTE. LTD.
Republic of Singapore
Phone: 65.6305.7575

PANDUIT JAPAN
Tokyo, Japan
Phone: 81.3.6863.6000

PANDUIT LATIN AMERICA
Guadalajara, Mexico
Phone: 52.33.3777.6000

PANDUIT AUSTRALIA PTY. LTD.
Victoria, Australia
Phone: 61.3.9794.9020

For a copy of Panduit product warranties, log on to www.panduit.com/warranty

For more information

Visit us at www.panduit.com
Contact Customer Service by email: cs@panduit.com
or by phone: 800.777.3300

PANDUIT[®]

© 2022 Panduit Corp.
ALL RIGHTS RESERVED.
FBSP120-WW-ENG
11/2022