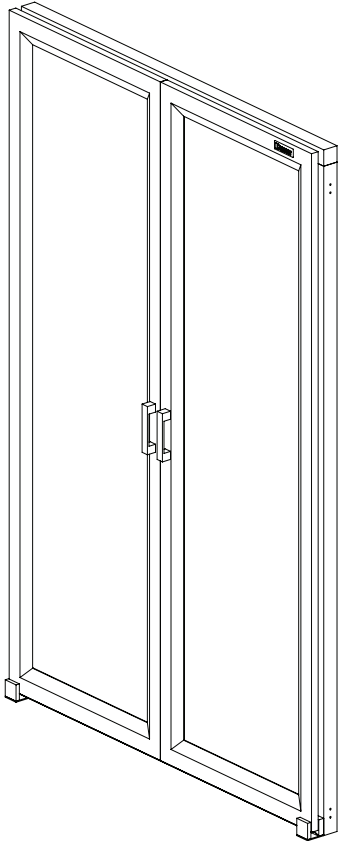


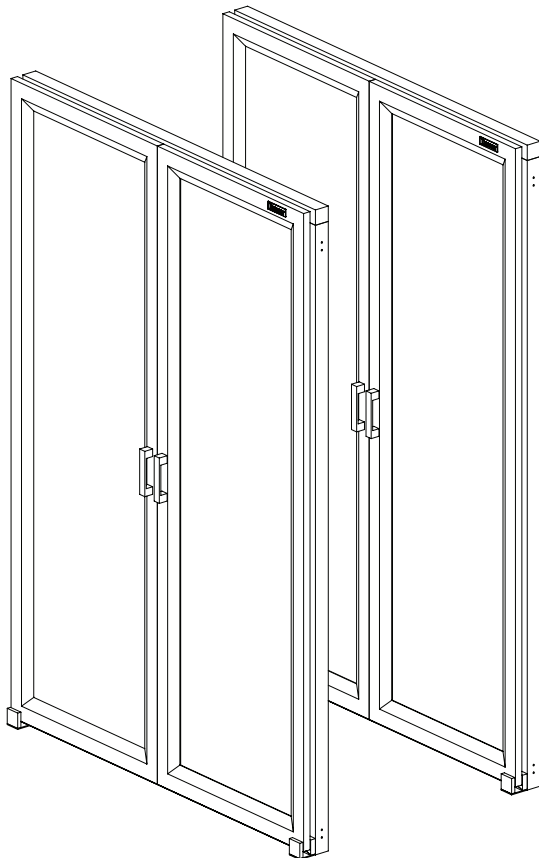
## Component Guide for Doors



### Dual Sliding Containment Door

#### **CUD1SD\*\***

- (1) ProGlide Dual Door
- (8) 1/4-14 x 1 Self Drilling Screw

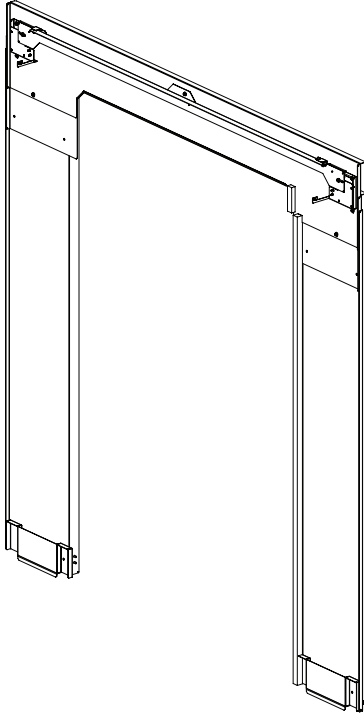


### Dual Sliding Containment Doors

#### **CUD2SD\*\***

- (2) ProGlide Dual Door
- (16) 1/4-14 x 1 Self Drilling Screw

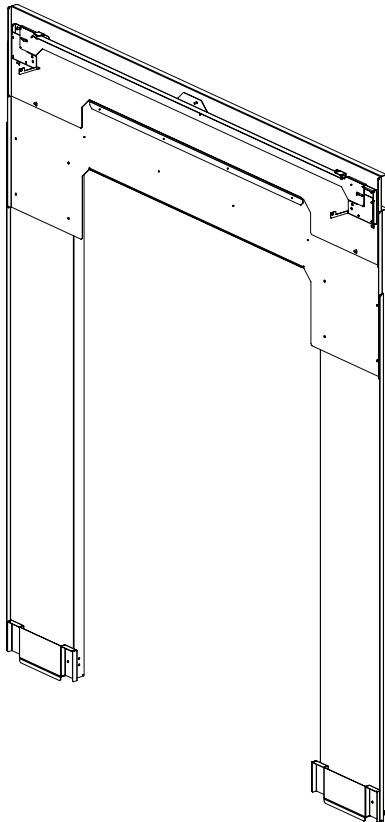
## Component Guide for Door Adapters



### Net-Contain 1800 CAC Door Adapter 42/45

#### **C2SDT8W06DA\*\***

- (1) 1800 Aisle Beam Assembly
- (1) Cabinet Bracket Assembly RH
- (1) Cabinet Bracket Assembly LH
- (1) 1800 Transom 42/45
- (1) 3RU Extender 1800
- (1) Vertical Blanking Panel - Rail RH 1800mm
- (1) Vertical Blanking Panel - Rail LH 1800mm
- (2) Foot, Floor Mount 1800
- (2) Underfloor Plate
- (1) Hardware Kit

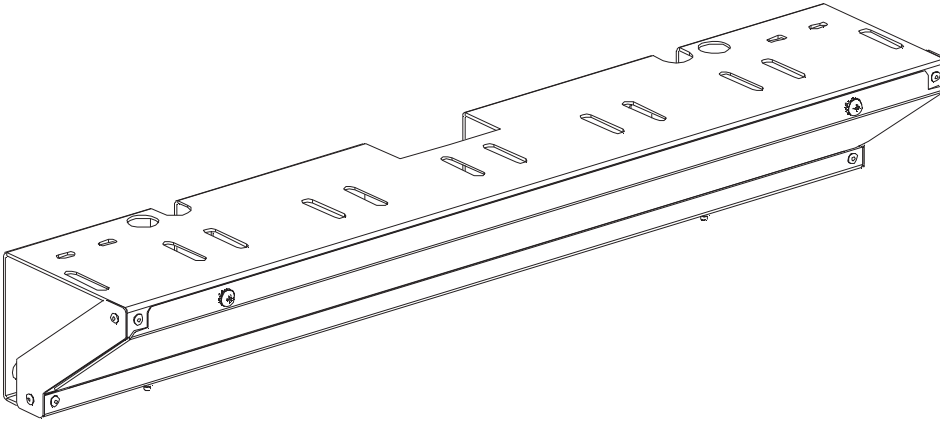


### Net-Contain 1800 CAC Door Adapter 48/51

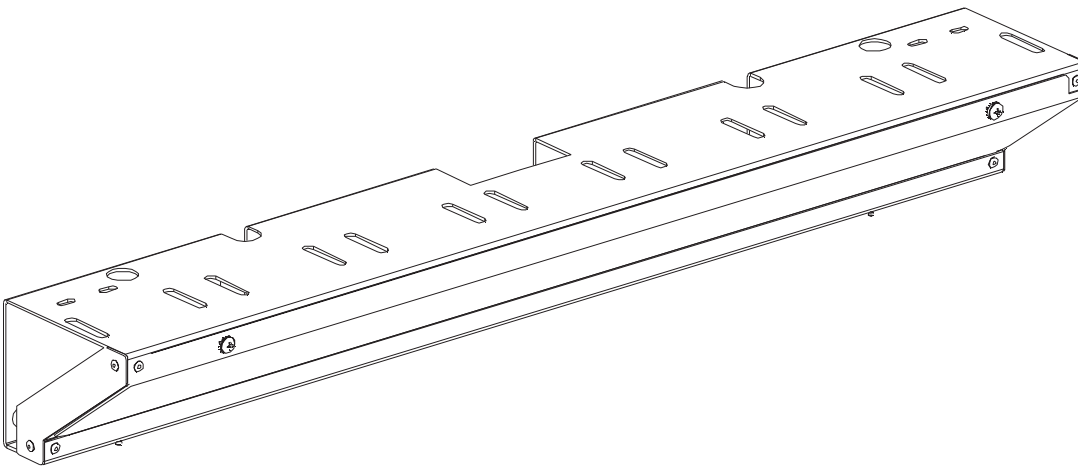
#### **C2SDT9W06DA\*\***

- (1) 1800 Aisle Beam Assembly
- (1) Cabinet Bracket Assembly RH
- (1) Cabinet Bracket Assembly LH
- (1) 1800 Transom 48/51
- (1) 3RU Extender 1800
- (1) Vertical Blanking Panel - Rail RH 1800mm
- (1) Vertical Blanking Panel - Rail LH 1800mm
- (2) Foot, Floor Mount 1800
- (2) Underfloor Plate
- (1) Hardware Kit

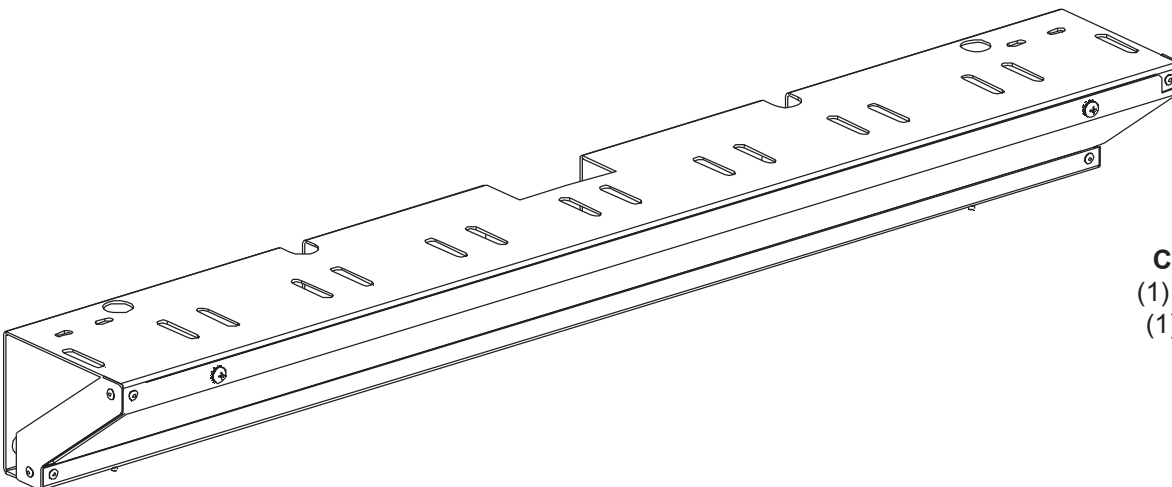
## Component Guide for Wall Panels



- C2CAC06F08WP\*\***  
(1) 600mm Wall Panel  
(1) Wall Panel Cover  
(1) Hardware Kit

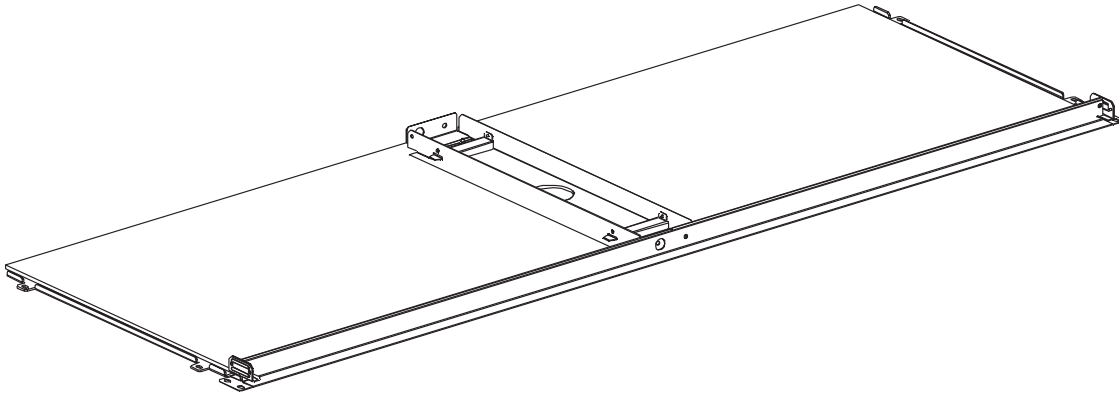


- C2CAC07F08WP\*\***  
(1) 700mm Wall Panel  
(1) Wall Panel Cover  
(1) Hardware Kit



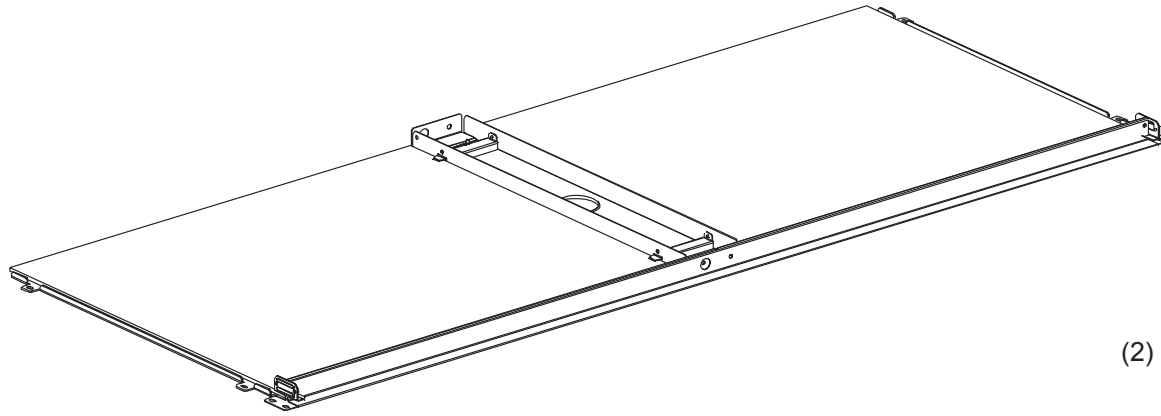
- C2CAC08F08WP\*\***  
(1) 800mm Wall Panel  
(1) Wall Panel Cover  
(1) Hardware Kit

## Component Guide for Ceiling Structure



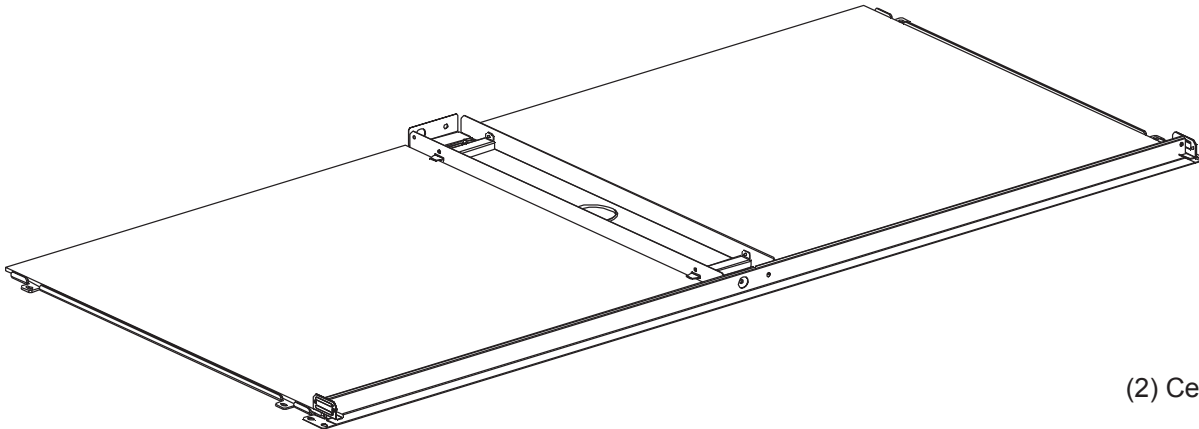
### **C2CAC06F06IR\*\***

- (2) Ceiling Panels 600mm Wide
- (1) Aisle Beam
- (2) Ceiling Panel Stops
- (1) Center Beam Assembly
- (1) Hardware Kit



### **C2CAC07F06IR\*\***

- (2) Ceiling Panels 700mm Wide
- (1) Aisle Beam
- (2) Ceiling Panel Stops
- (1) Center Beam Assembly
- (1) Hardware Kit



### **C2CAC08F06IR\*\***

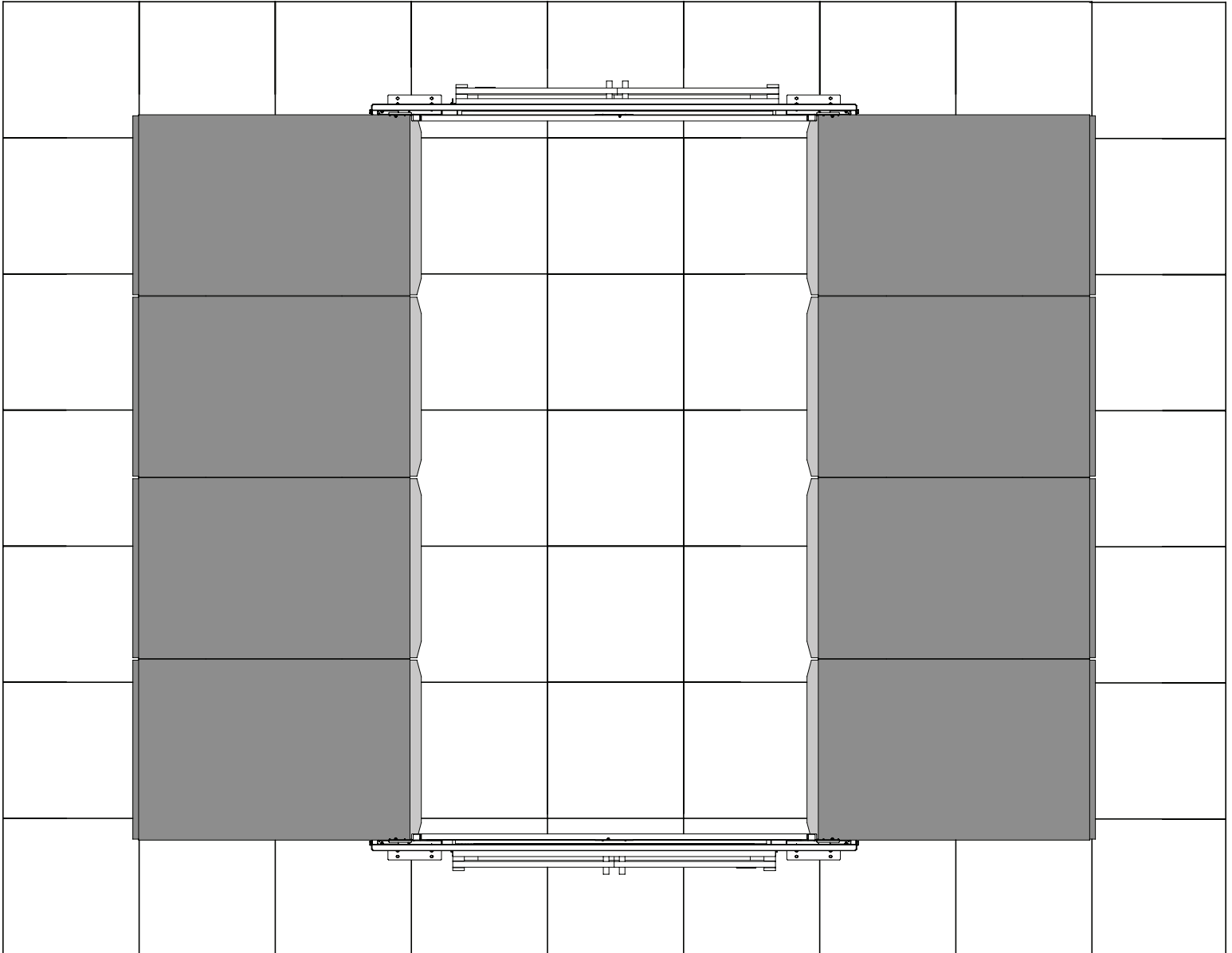
- (2) Ceiling Panels 800mm Wide
- (1) Aisle Beam
- (2) Ceiling Panel Stops
- (1) Center Beam Assembly
- (1) Hardware Kit

# Table of Contents

<b>SECTION 1</b> .....	<b>7</b>
<i>Floor Layouts for 6 Foot/ 1800mm Aisle Width Configurations</i>	
Alignment of Cabinet on Raised Floor.....	8
Leveling Cabinet.....	9
Aligning Rows of Cabinets.....	10
Spacing of 6 Foot/ 1800mm Aisle Width.....	11
Floor Layout for Installing Door Adapters .....	12
<b>SECTION 2</b> .....	<b>13</b>
<i>Installation of Wall Panels</i>	
Wall Panel Installation .....	14
Attaching Seals to Wall Panels.....	15
Wall Panel Seal Installation / Ganging and Securing Cabinets to Floor.....	16
Wall Panel Covers to be Installed at end of next Section 6.....	17
<b>SECTION 3</b> .....	<b>18</b>
<i>Installation of CAC Door Adapters and Doors</i>	
Inserting Cage Nut into S-Type Cabinets .....	19
Attaching Feet to the Floor .....	20
Attaching Aisle Beam .....	21
Attaching Cabinet Brackets .....	22
Attach Foam Seals .....	23
Attach Transom on 42RU or 48RU .....	24
Attach Transom on 45RU or 51RU.....	25
Attach Blanking Panels .....	27
Install Dual Door onto the Door Adapter Frame .....	28
<b>SECTION 4</b> .....	<b>29</b>
<i>Installation of Ceiling Structure</i>	
Initial Aisle Beam Installation.....	30
Aisle Beam Alignment .....	31
Additional Aisle Beam Installation.....	32
Ceiling Panel Stop Installation .....	33
Ceiling Support Bracket Installation.....	34
Ceiling Panel Installation .....	35
Attaching Wall Panel Cover (Wall Panel Covers from Section 4) .....	36

# SECTION 1

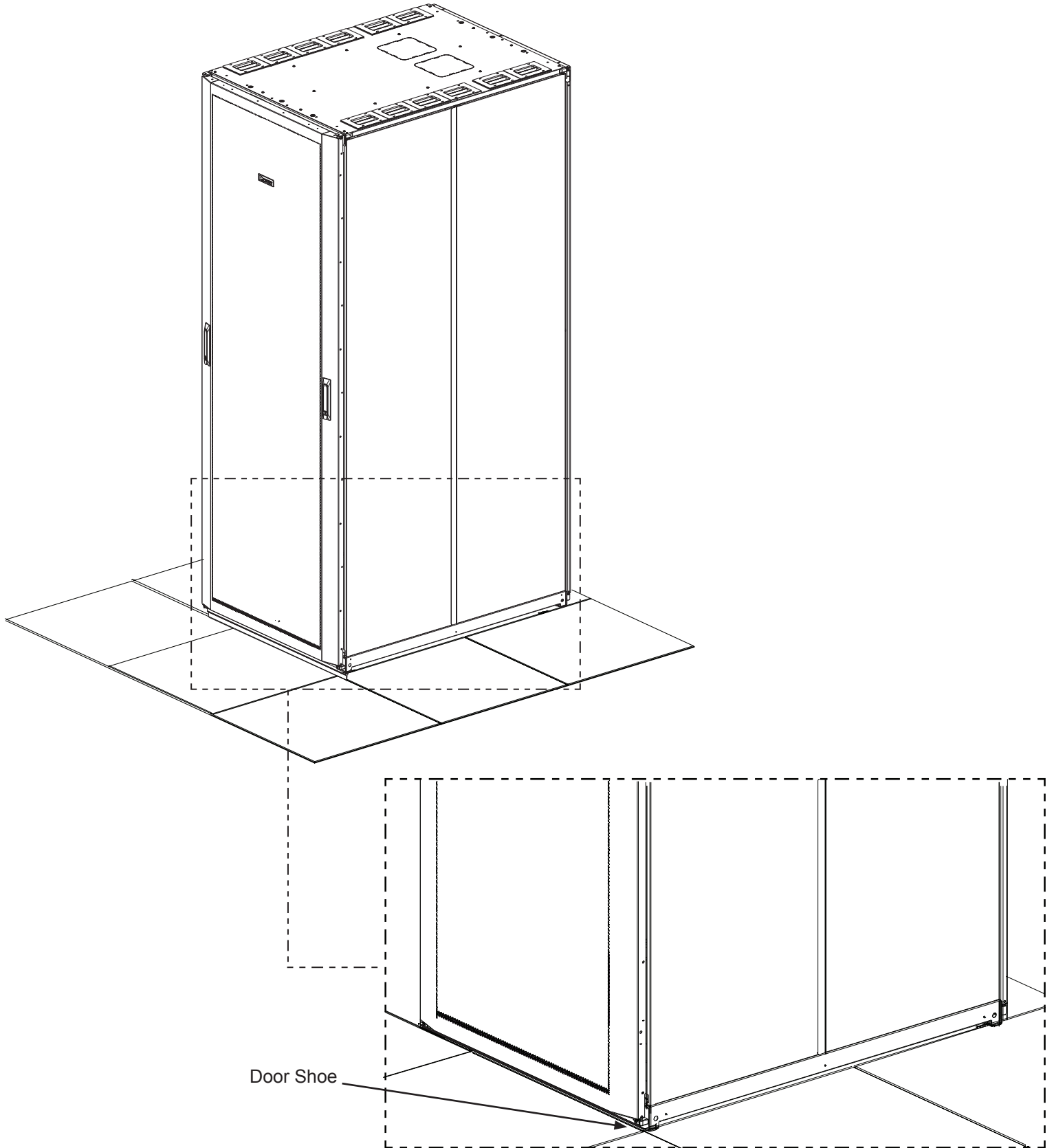
## Floor Layouts for 6 Foot/ 1800mm Aisle Width Configurations



**Top View**  
**Typical 6 Foot/ 1800mm Aisle Width**

## **Alignment of Cabinet on Raised Floor**

- Position the first cabinet in the desired location.
- Align the front of the cabinet along the floor tile of the cold aisle. (or desired location)



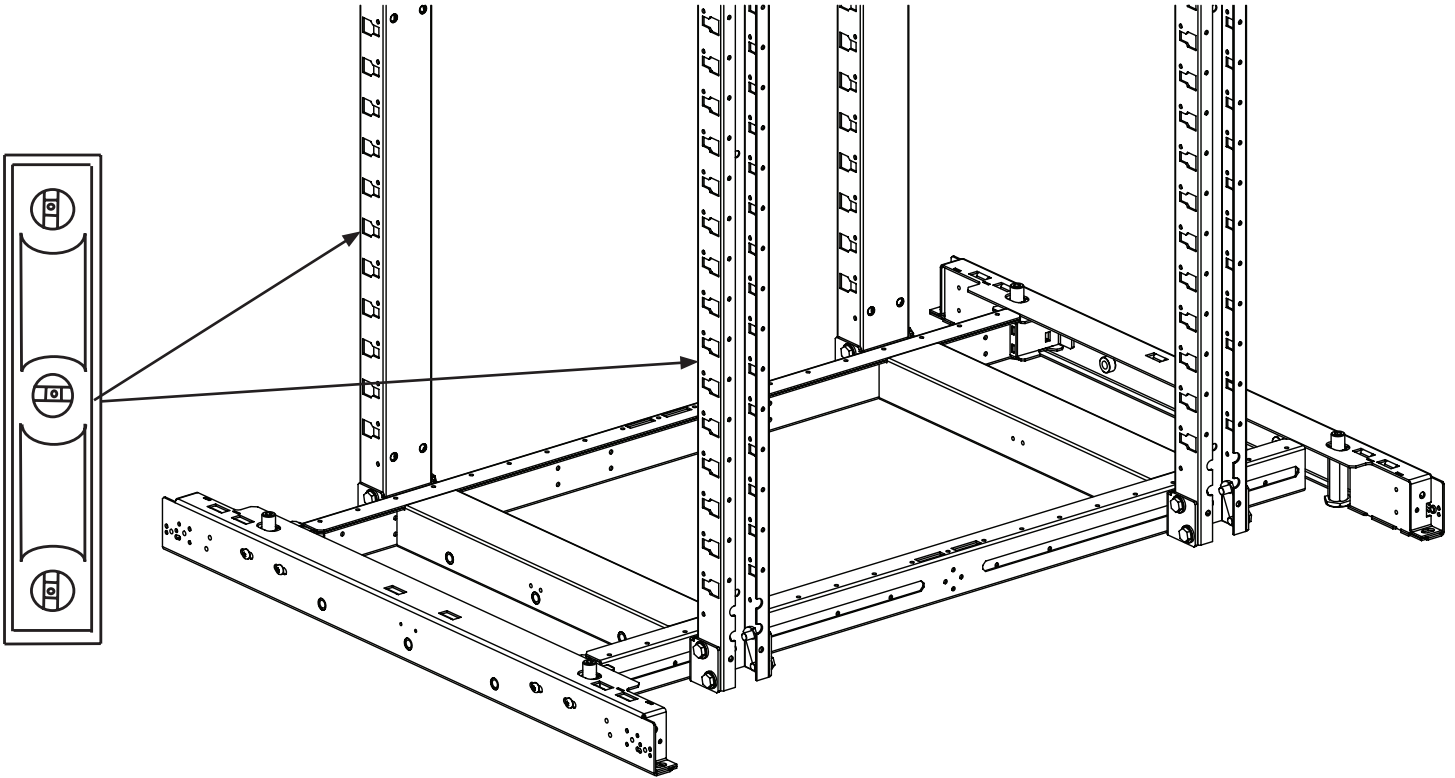
***For Technical Support: [www.panduit.com/resources/install\\_maintain.asp](http://www.panduit.com/resources/install_maintain.asp)***



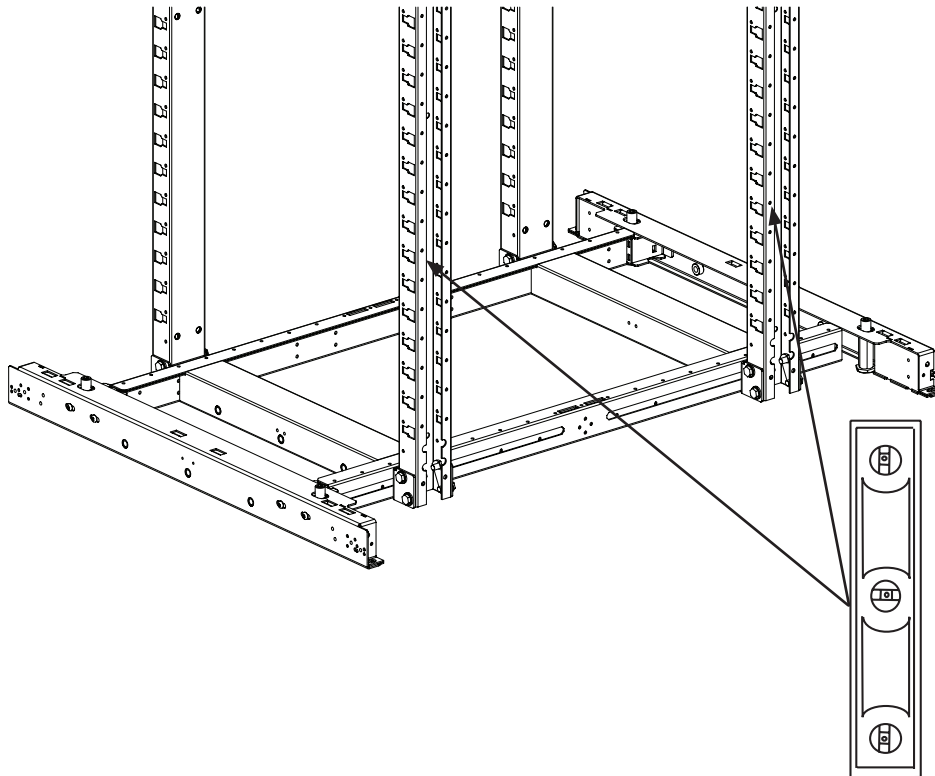
## Leveling Cabinet

- Use a bubble level placed on the vertical rails in the locations shown. Adjust Legs until the cabinet is level
- Ensure that adjacent cabinets are adjusted to the same height, parallel with each other.

### Front-to-Back Cabinet Leveling

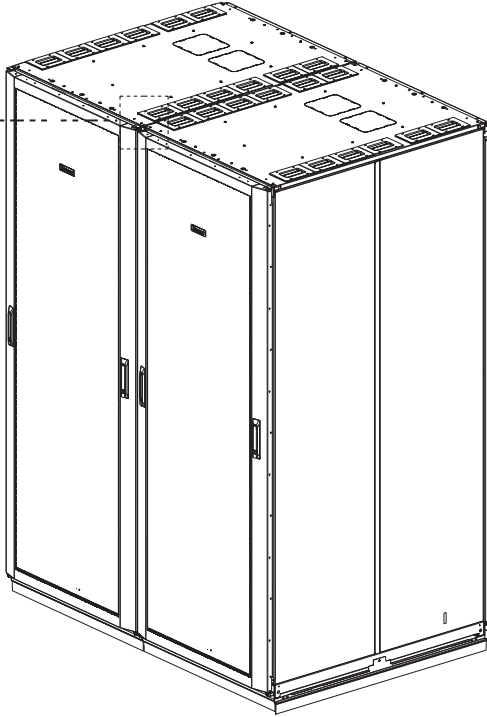


### Side-to-Side Cabinet Leveling

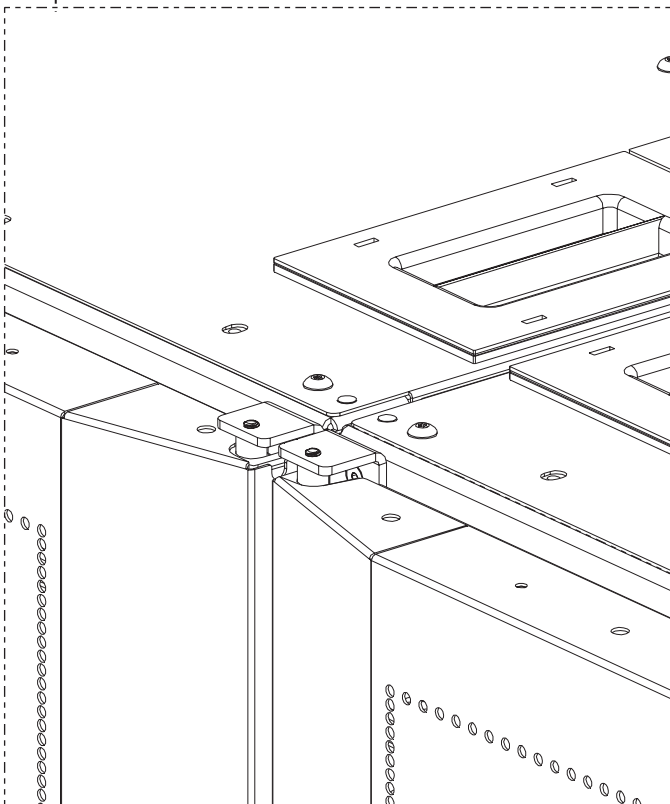


## Aligning Rows of Cabinets

- Alignment will be important for overall install of Net-Contain.
- Place next cabinet in the row 1-2" from the first cabinet.
- Level cabinet front and back while keeping top and bottom in line with the previous cabinet.
- Once cabinet is leveled move cabinet over until flush with the first cabinet.
- Repeat process until all cabinets in the row are aligned.



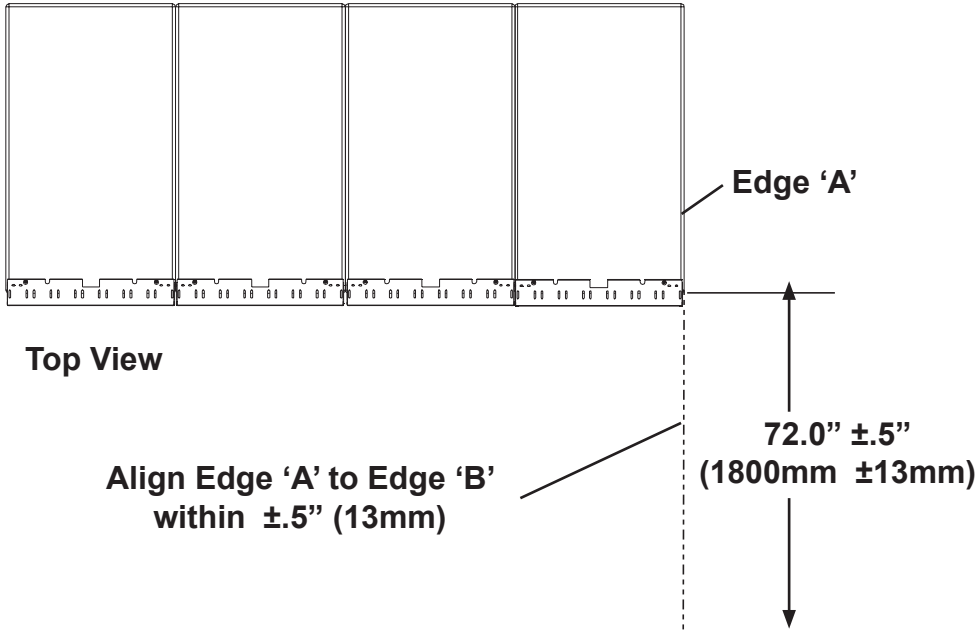
**Note: Make sure top of cabinets are aligned after leveling and placement.**



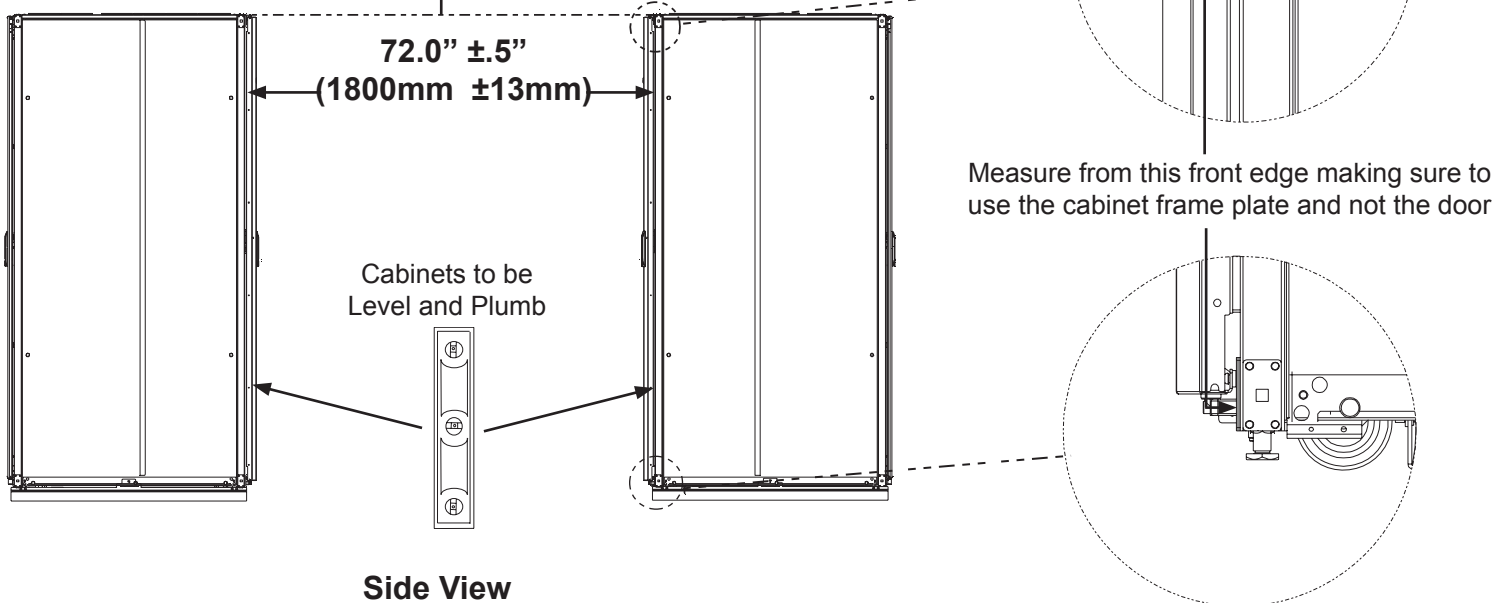
**For Technical Support: [www.panduit.com/resources/install\\_maintain.asp](http://www.panduit.com/resources/install_maintain.asp)**

### Spacing of 6 Foot/ 1800mm Aisle Width

- Place opposing row of cabinet's  $72.0" \pm .5"$  or  $1800\text{mm} \pm 13\text{mm}$  across from the first row.
- Align edge A and edge B within  $\pm .5"$  (13mm).
- Note: When aligning and leveling cabinets make sure to keep cabinets the same height within  $\pm 6\text{mm}$  (.25").



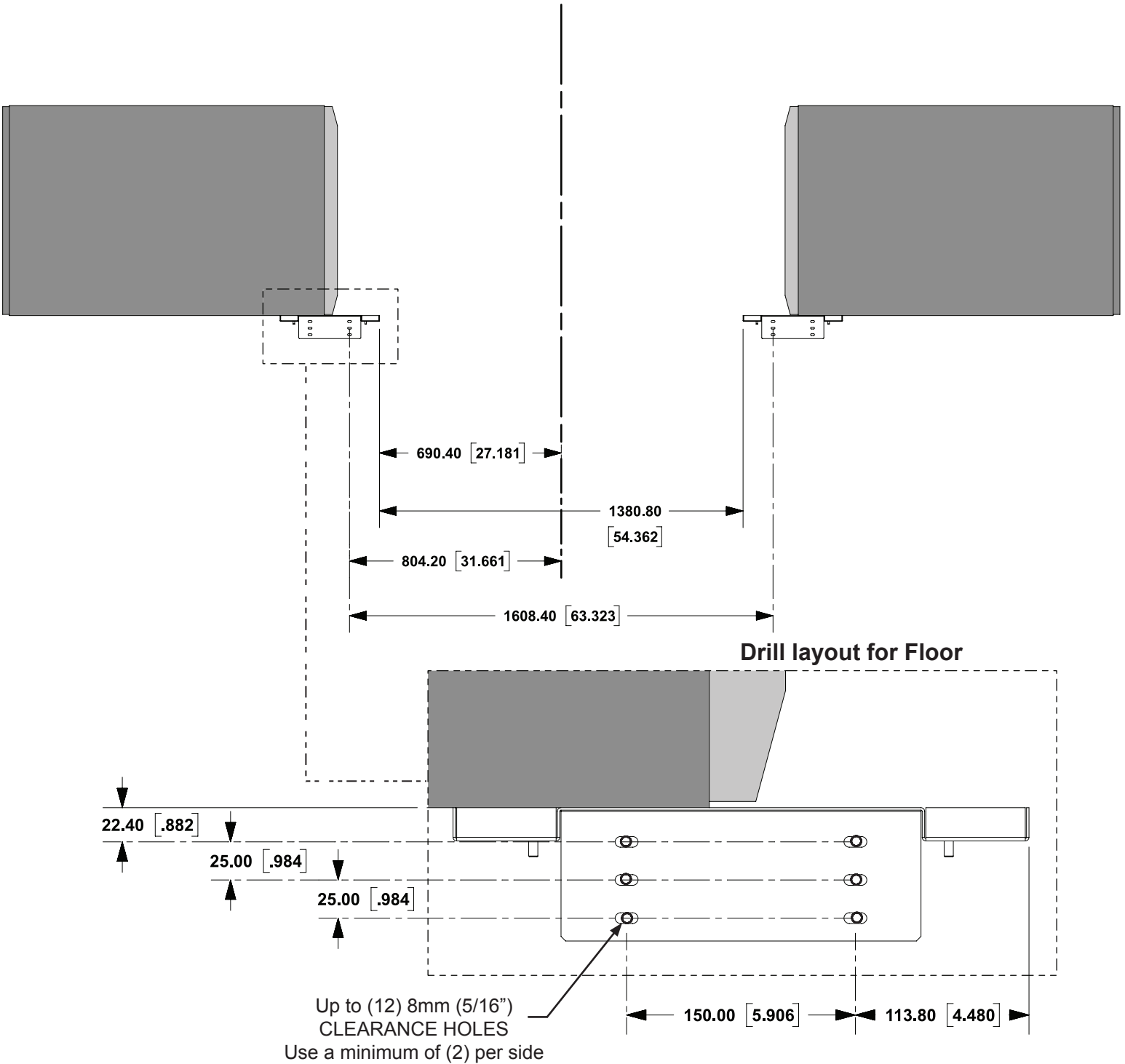
When leveling make sure to keep cabinets the same height within  $\pm$ .25" (6mm)



## Floor Layout for Installing Door Adapters

- Drill up to twelve 8mm (5/16") Clearance holes thru floor tiles in locations shown for attaching the feet of the Door Adapter.
- Need to use a minimum of two screws per foot when securing the feet to the floor.

### Typical layout between Door Adapter Feet



# SECTION 2

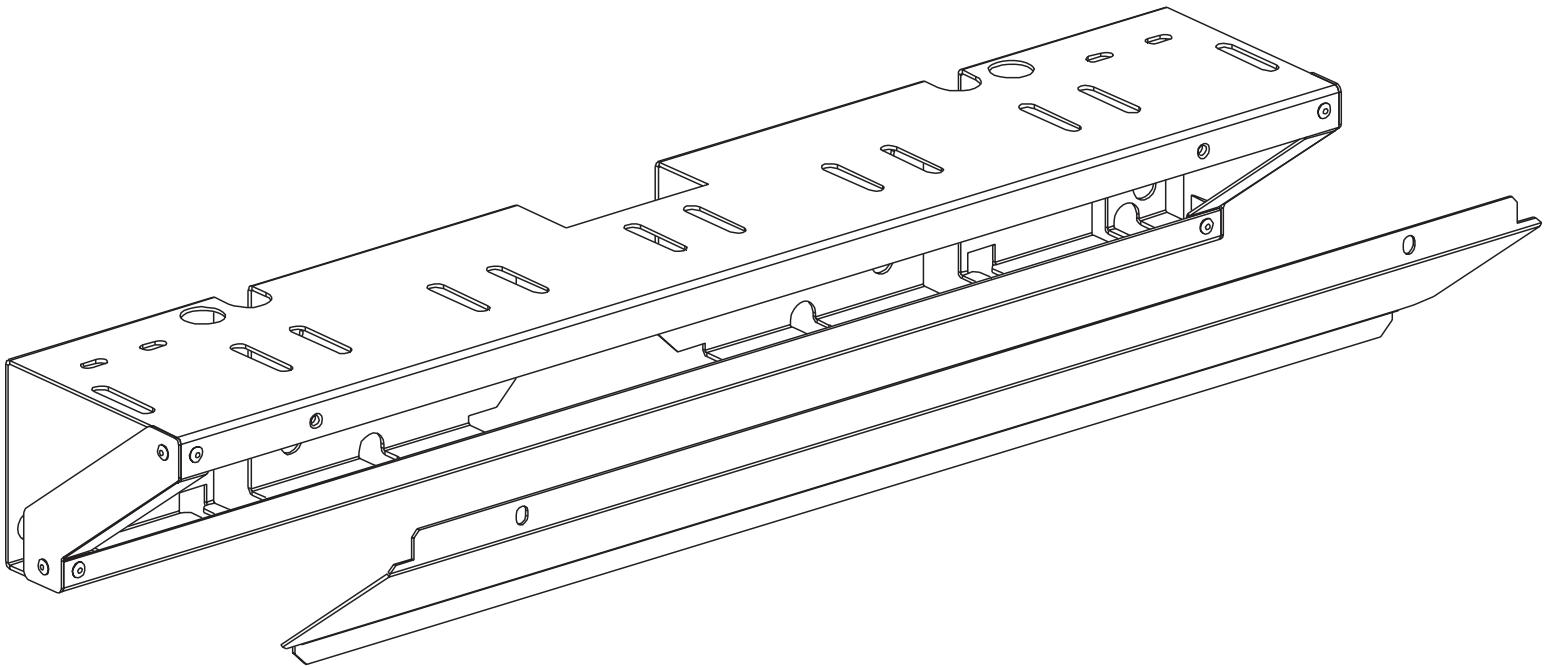
## Installation of Wall Panels

Part Number(s)

**CAC06F08WP\*\***

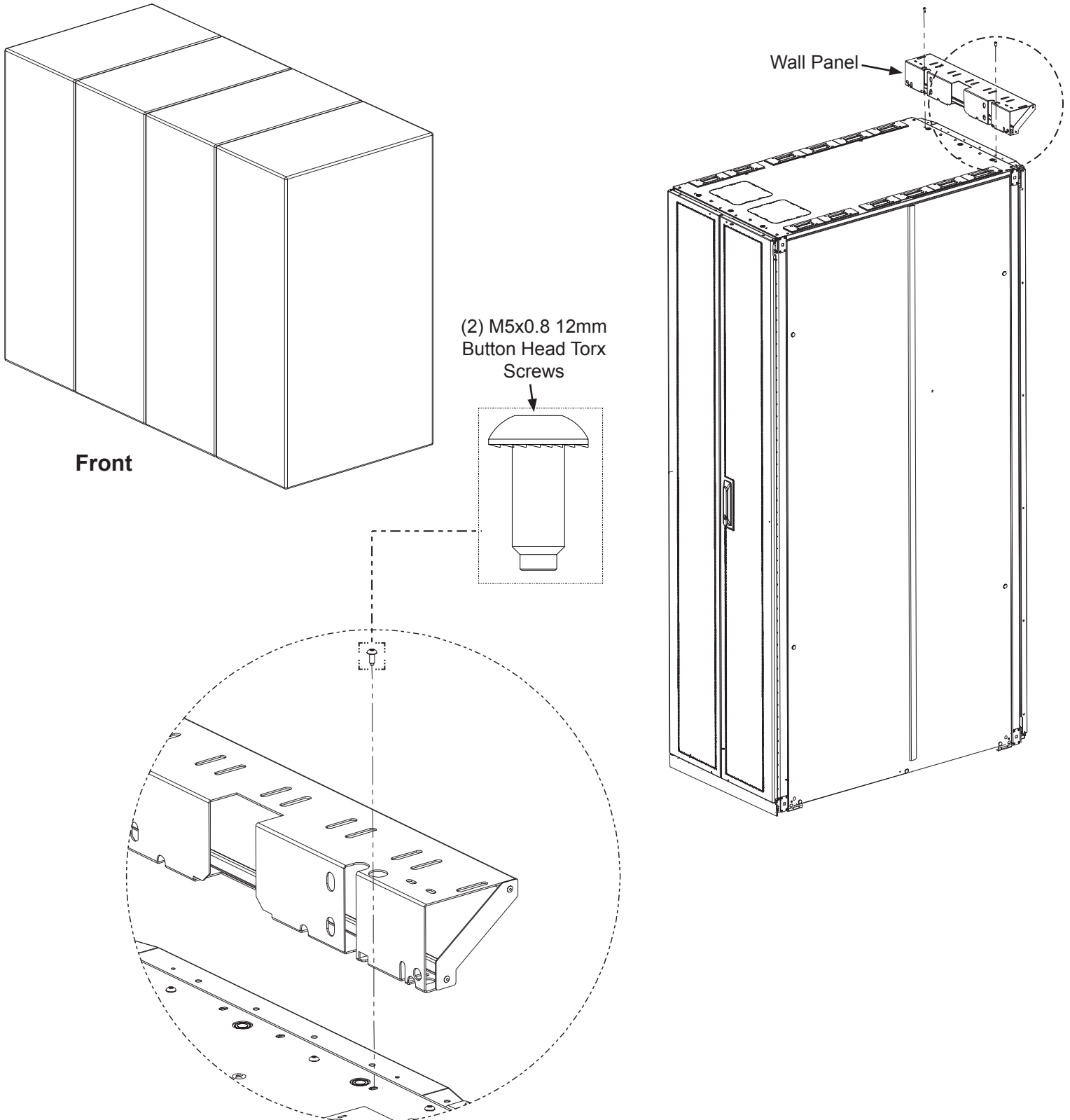
**CAC07F08WP\*\***

**CAC08F08WP\*\***



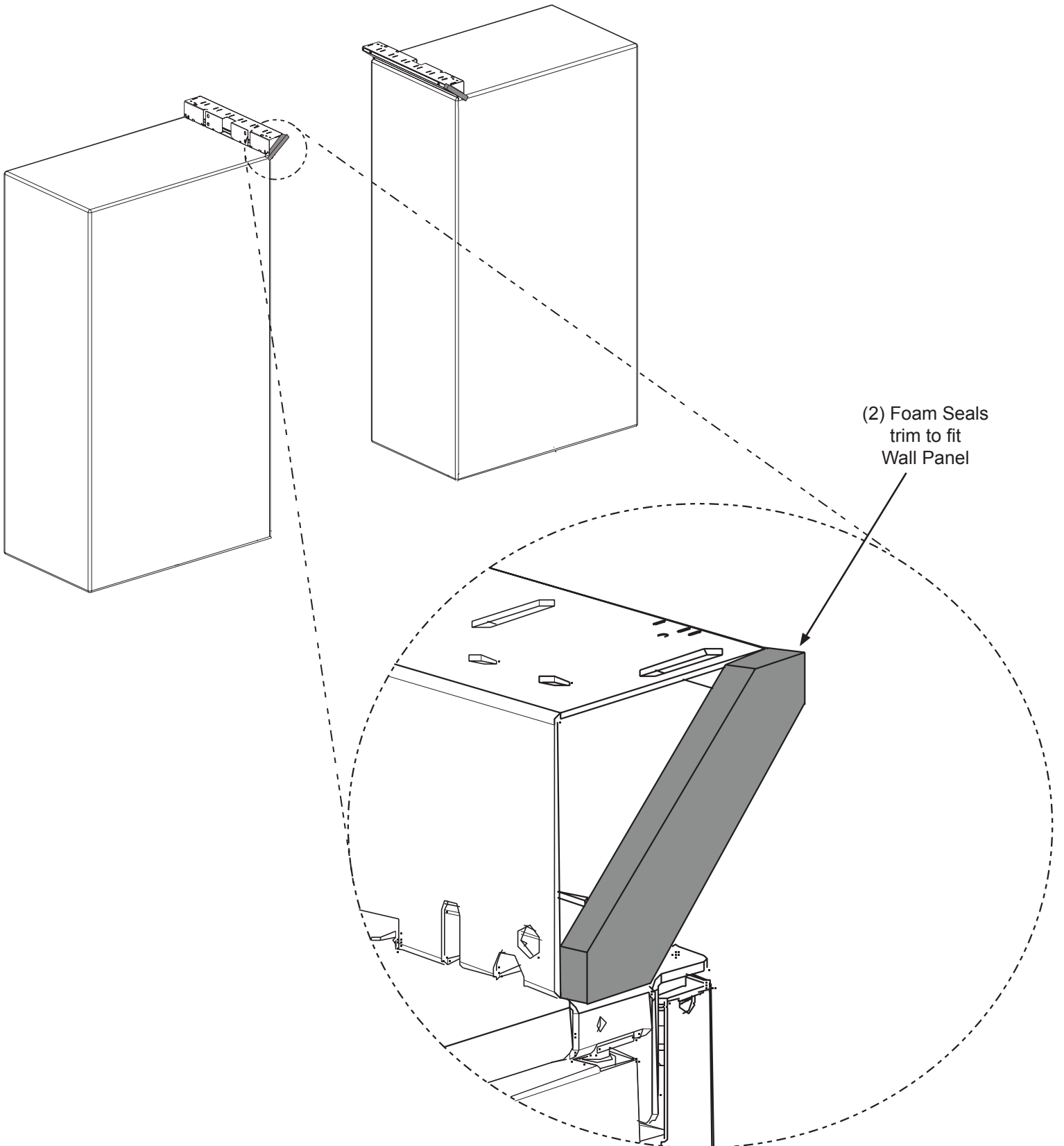
## Wall Panel Installation

- Start installation of Wall Panels with cabinet on your far right end of the row (when facing front of cabinet.)
- Install (1) Wall Panel by aligning Wall Panel with threaded holes on top of Cabinet.
- Secure Wall Panel to cabinet with (2) M5x0.8 12mm Button Head Torx Screws.



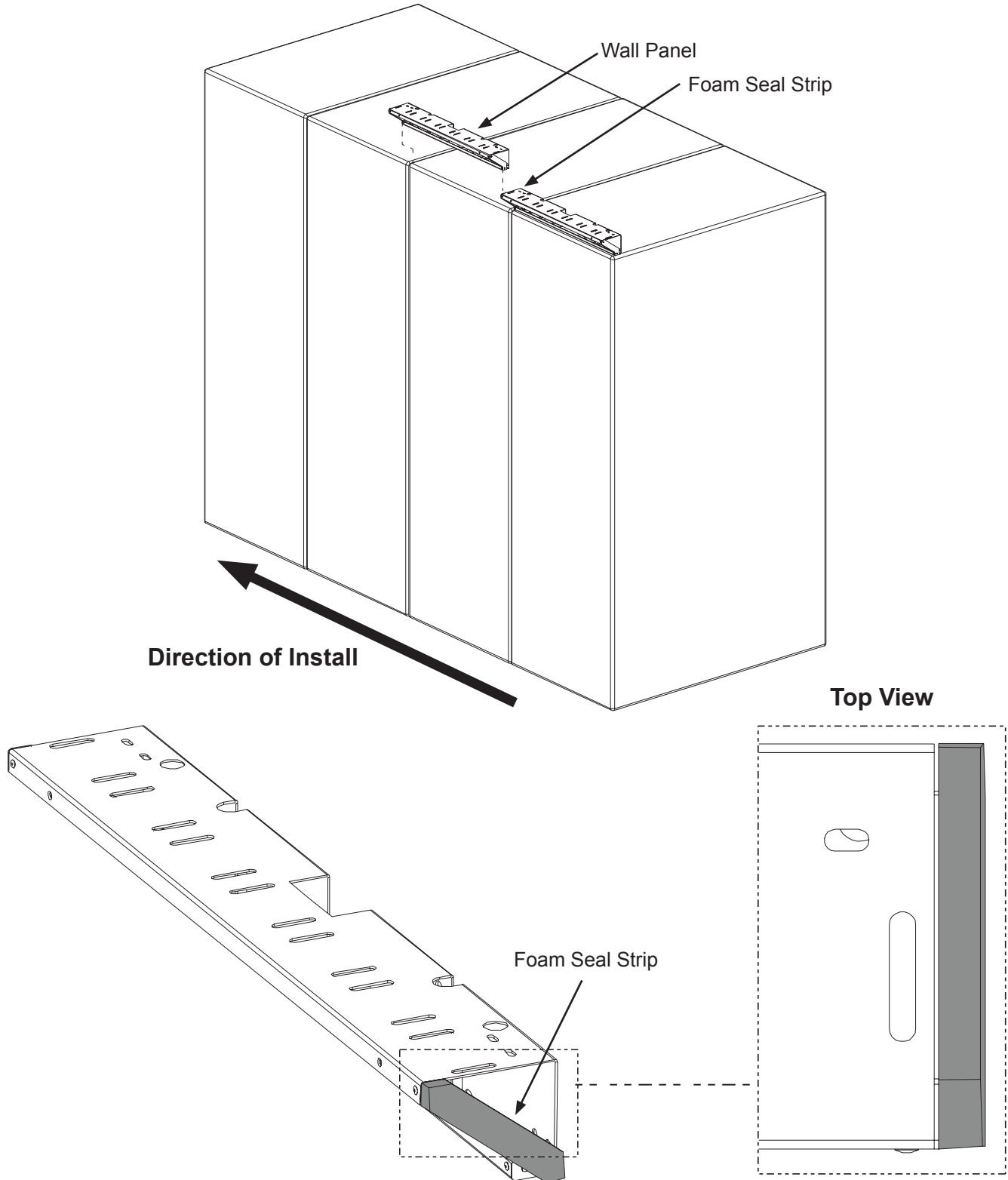
## **Attaching Seals to Wall Panels**

- Trim (2) pieces of Foam Seal to Fit Wall Panel.
- Add a (1) piece of 25mm x 25mm Foam Seal to the end of each Wall Panel.



## Wall Panel Seal Installation / Ganging and Securing Cabinets to Floor

- After installing the first Wall Panel of the row, apply (1) Foam Seal Strip along the edge of the Wall Panel to seal the gap between adjacent Wall Panel.
- Slide next Wall Panel over until Wall Panel is centered and foam is compressed.
- Repeat Process for all cabinets in row.
- Once all cabinets have Wall Panels installed, gang cabinets. (Reference CM598\*)
- Panduit recommends securing cabinets to the floor. (Reference CM598\*)

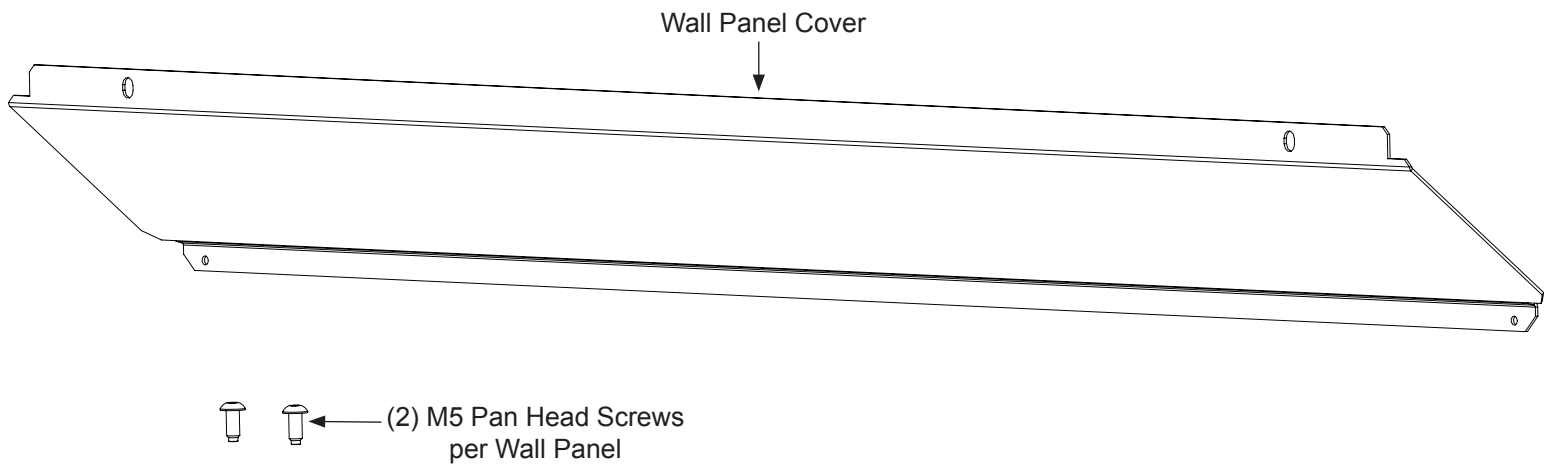


**For Technical Support: [www.panduit.com/resources/install\\_maintain.asp](http://www.panduit.com/resources/install_maintain.asp)**



## **Wall Panel Covers to be Installed at end of Section 4**

- Set aside Wall Panel Covers and Screws. They will be installed at end of Section 4, Page 36.

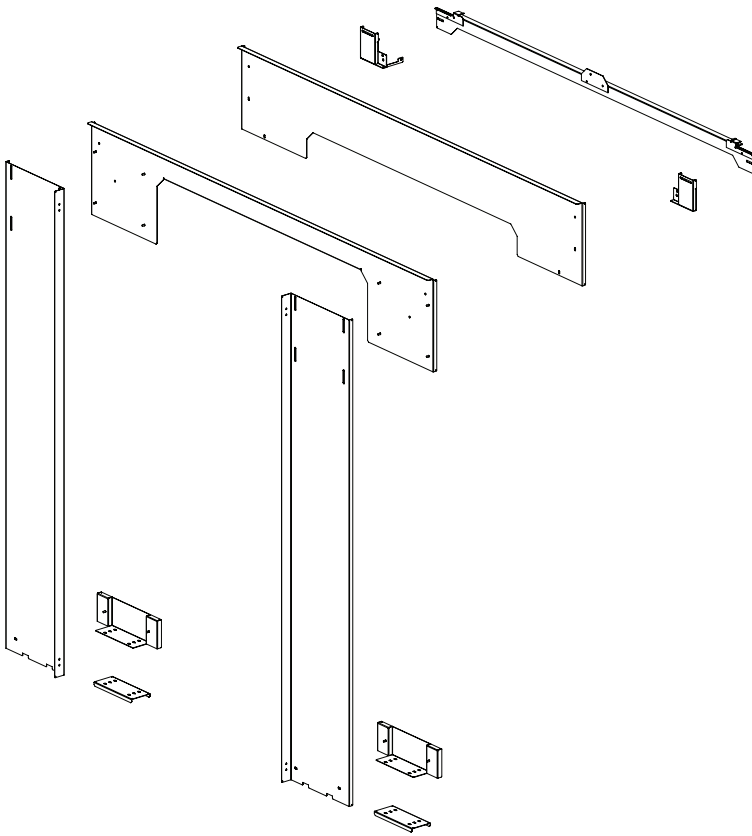


# SECTION 3

## INSTALLATION OF CAC DOOR ADAPTERS AND DOORS

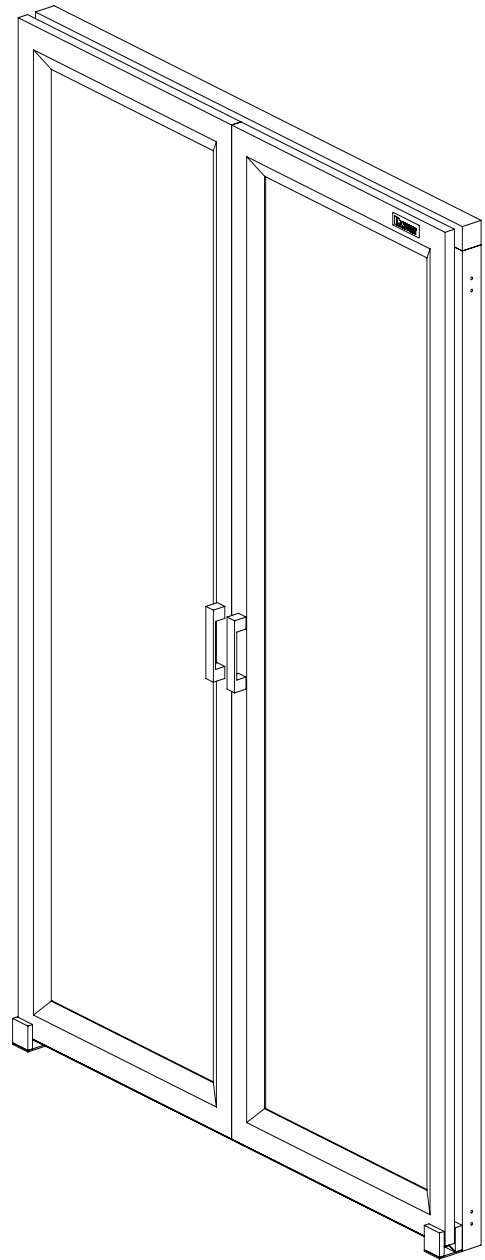
Part Number(s)

**C2SDT8W06DA\*\***  
**C2SDT9W06DA\*\***



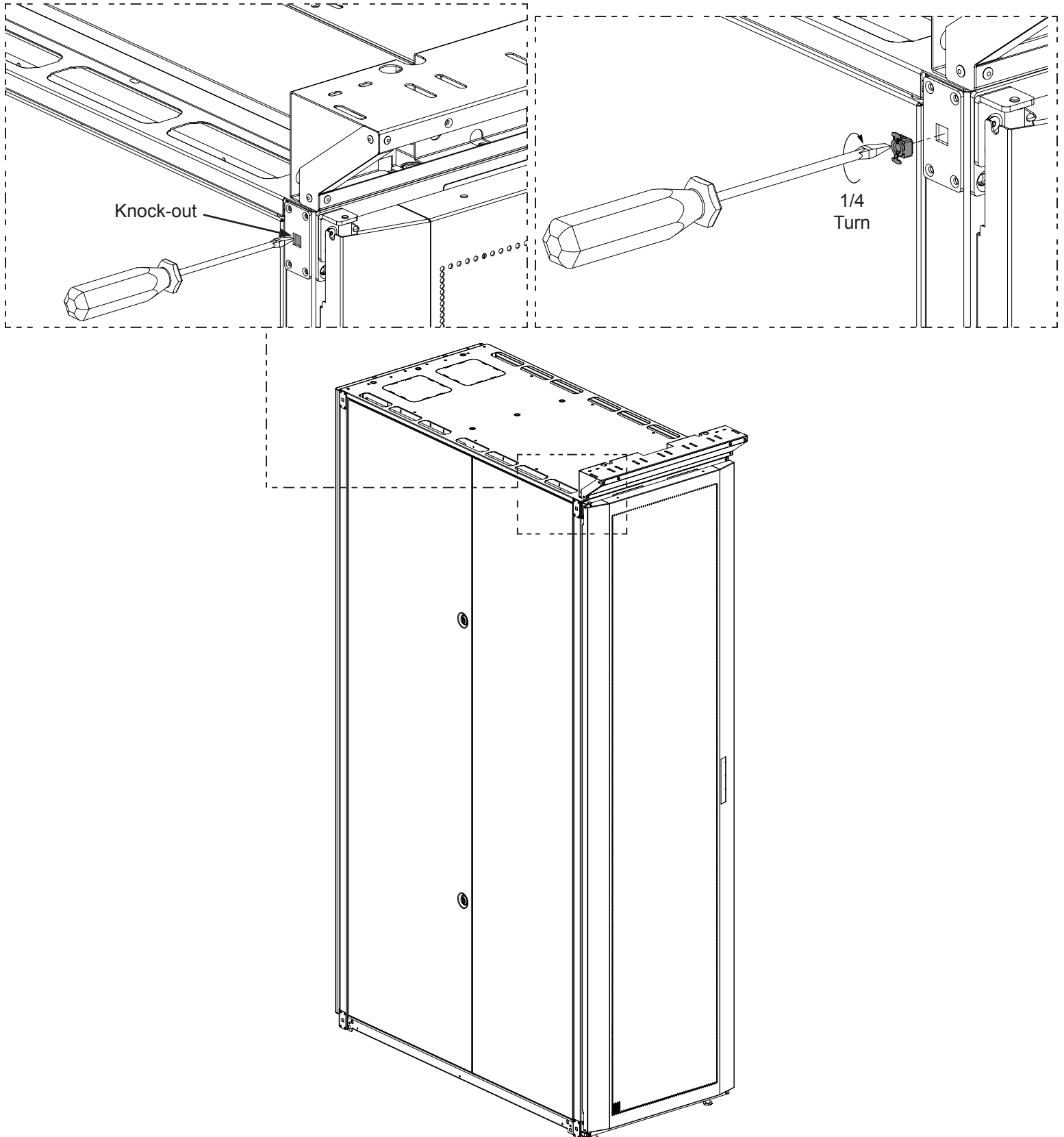
Part Number(s)

**CUD1SD\*\***  
**CUD2SD\*\***



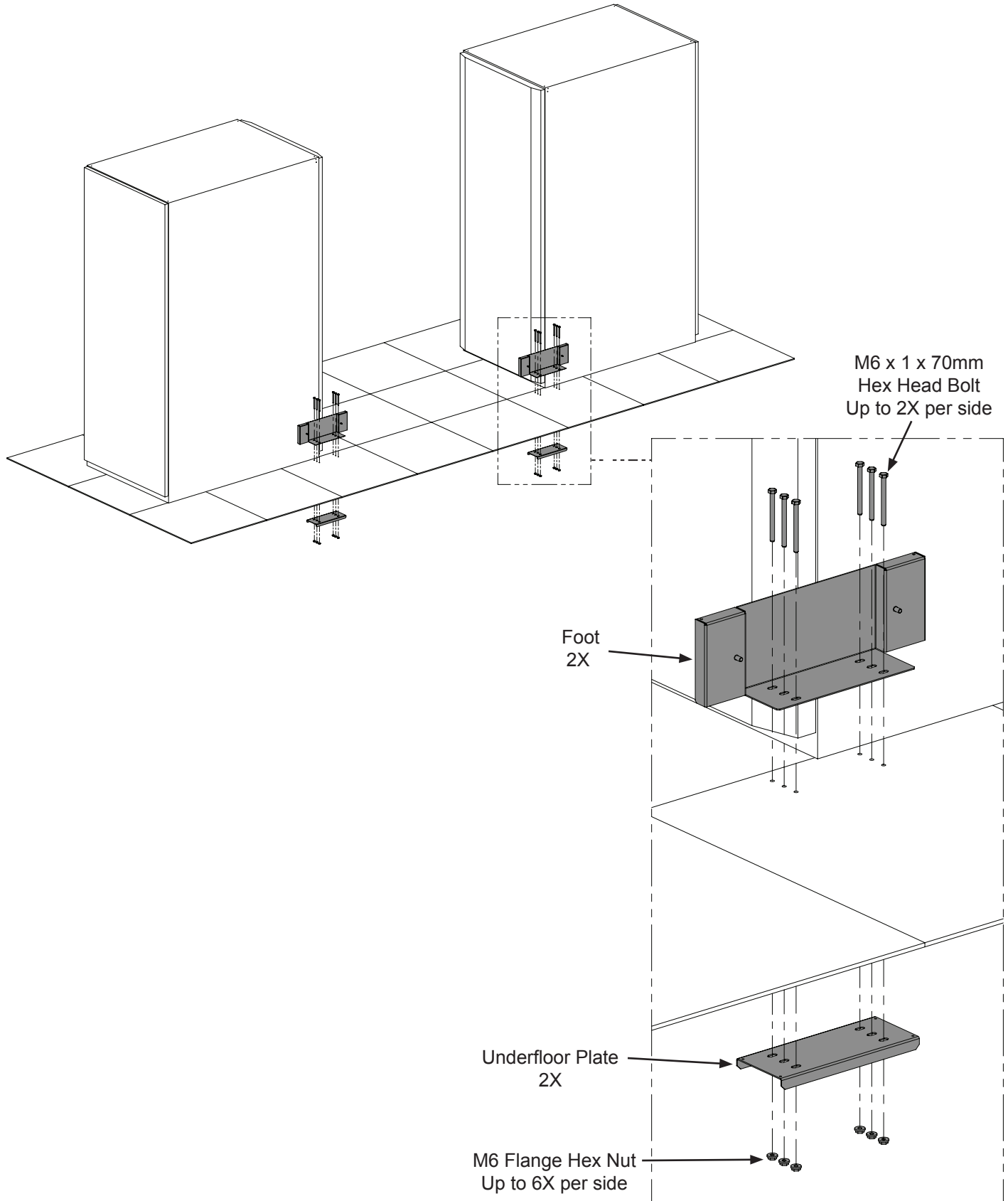
## Inserting Cage Nut into S-Type Cabinets

- This step does not apply to N-Type cabinets. If using N-Type cabinets skip ahead to next page.
- Knock out square hole in cabinet with screwdriver. Make sure the knock-out tab is removed fully from the opening.
- Insert cage nut into the opening and rotate 45 degrees with a screwdriver to secure.



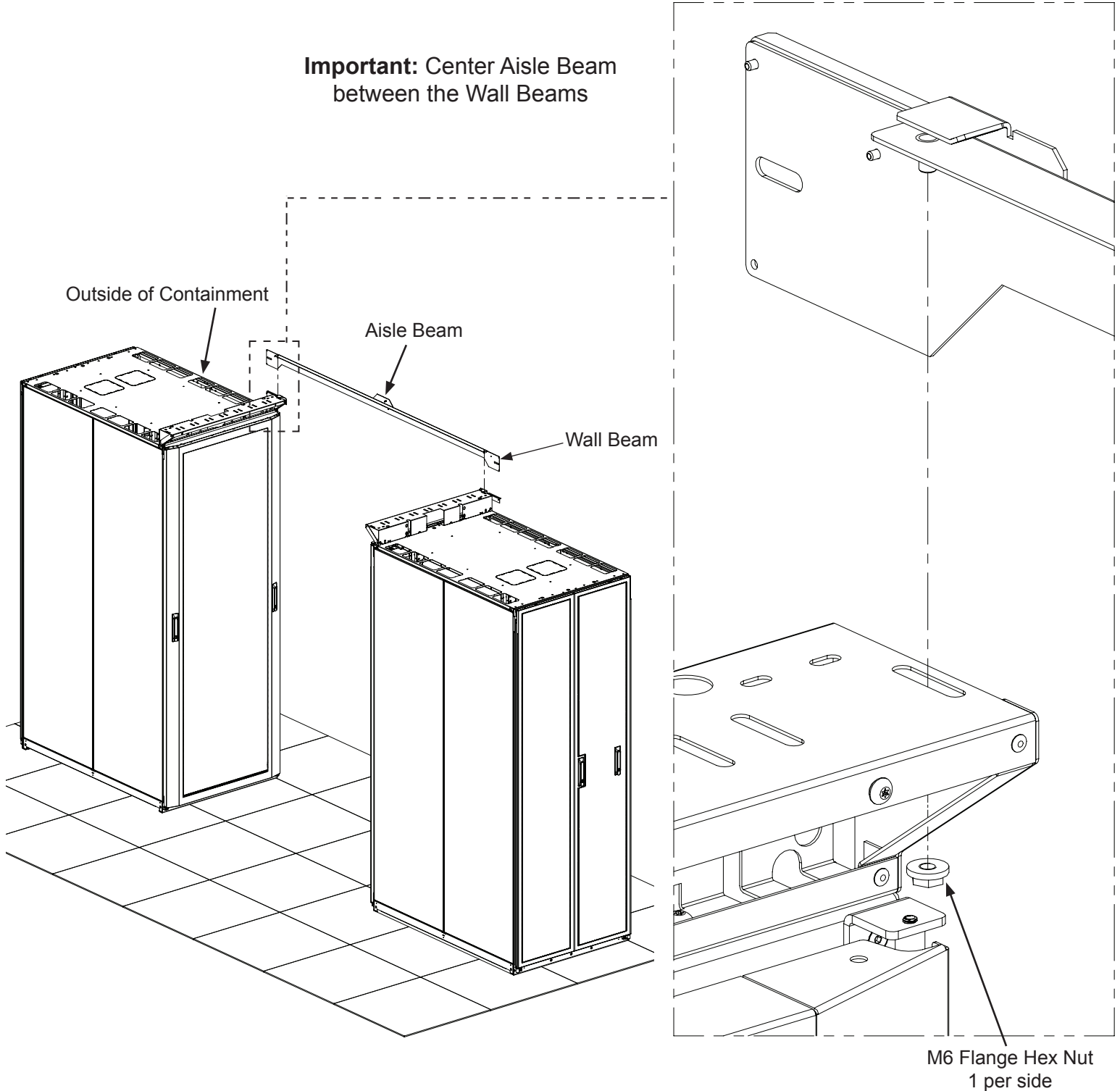
## Attaching Feet to the Floor

- For access to the Underfloor Plates, remove a Floor Tile that is next to the Floor Tile that the Foot is being installed to.
- Need to use a minimum of two screws per foot when securing the feet to the floor.



## Attaching Aisle Beam

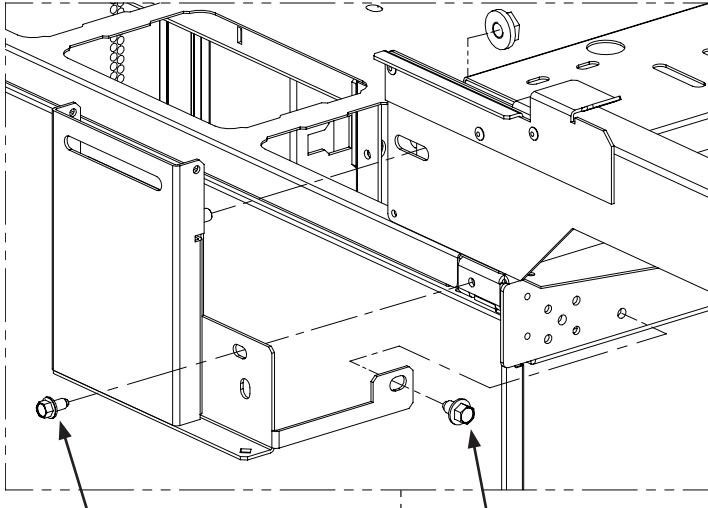
**Important:** Center Aisle Beam  
between the Wall Beams



# Attaching Cabinet Brackets

## ***Shown on N-Type Cabinets***

See image below right if  
Installing on S-Type cabinets

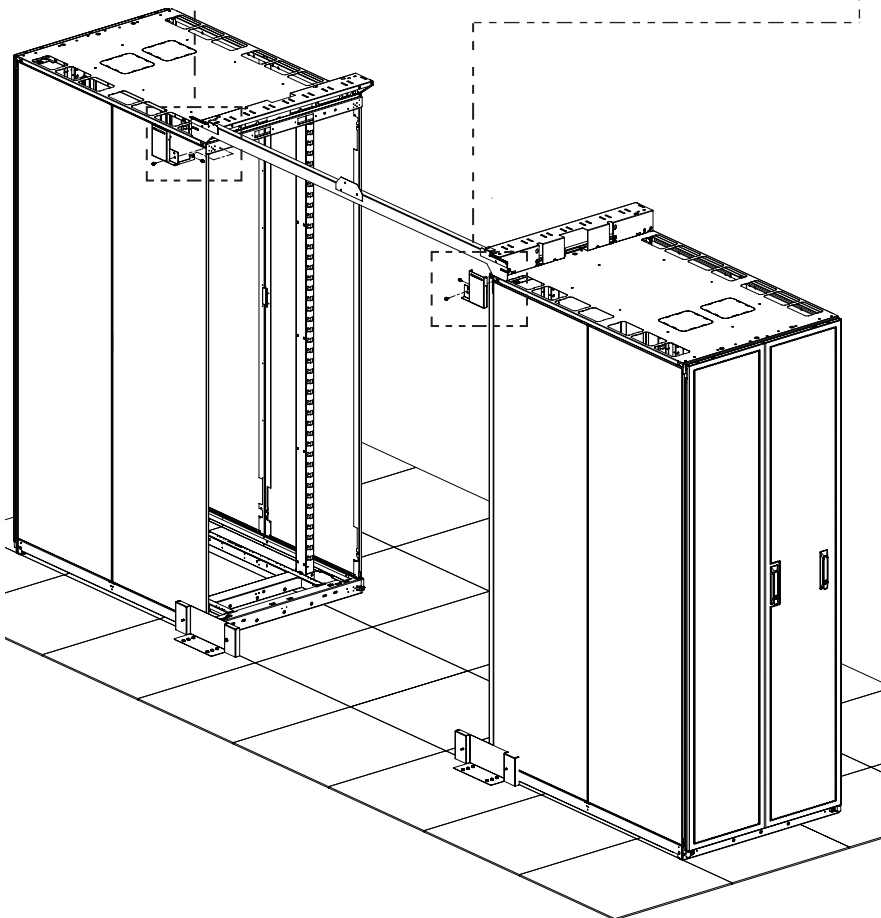
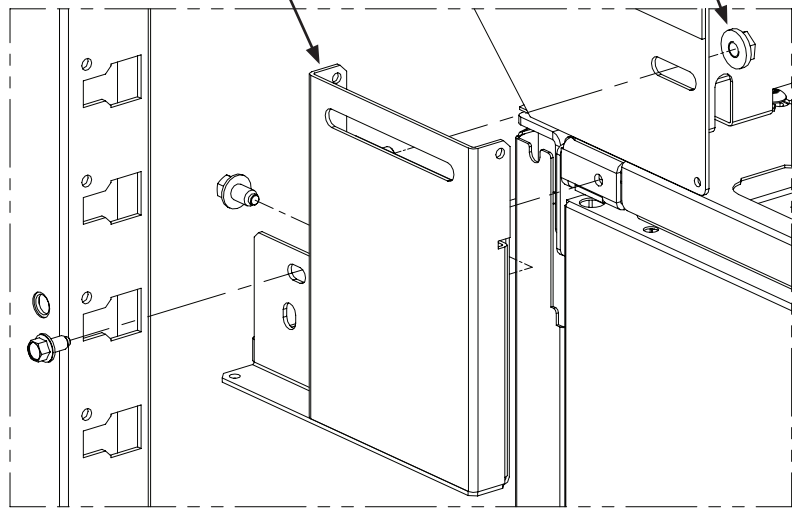


M5 x 0.8 x 10 Hex Head Screw  
1 per side on N-Type Cabinet

M6 x 1 x 10 Hex Head Screw  
1 per side

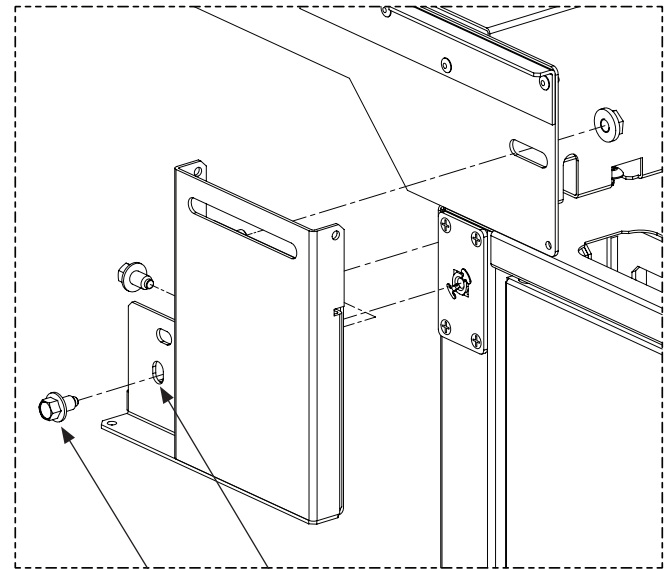
Cabinet Brackets  
1 per side

M6 Flange Hex Nut  
1 per side



## ***For S-Type Cabinets***

Attach Cabinet brackets through  
lower slot shown using a  
M6 x 1 x 10 Hex Head Screw

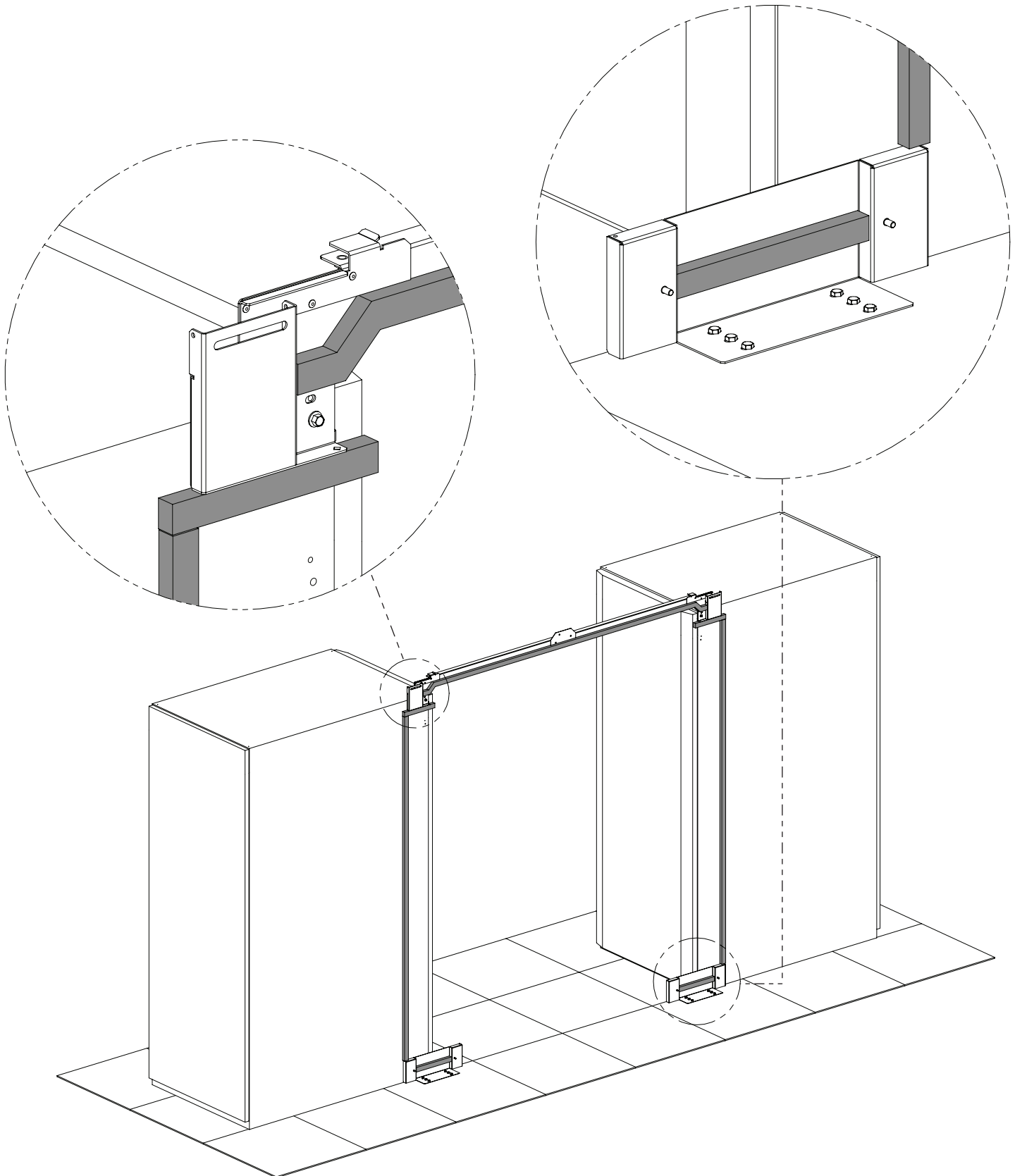


Lower slot

M6 x 1 x 10 Hex Head Screw  
into previously installed cage nut  
1 per side on S-Type Cabinet

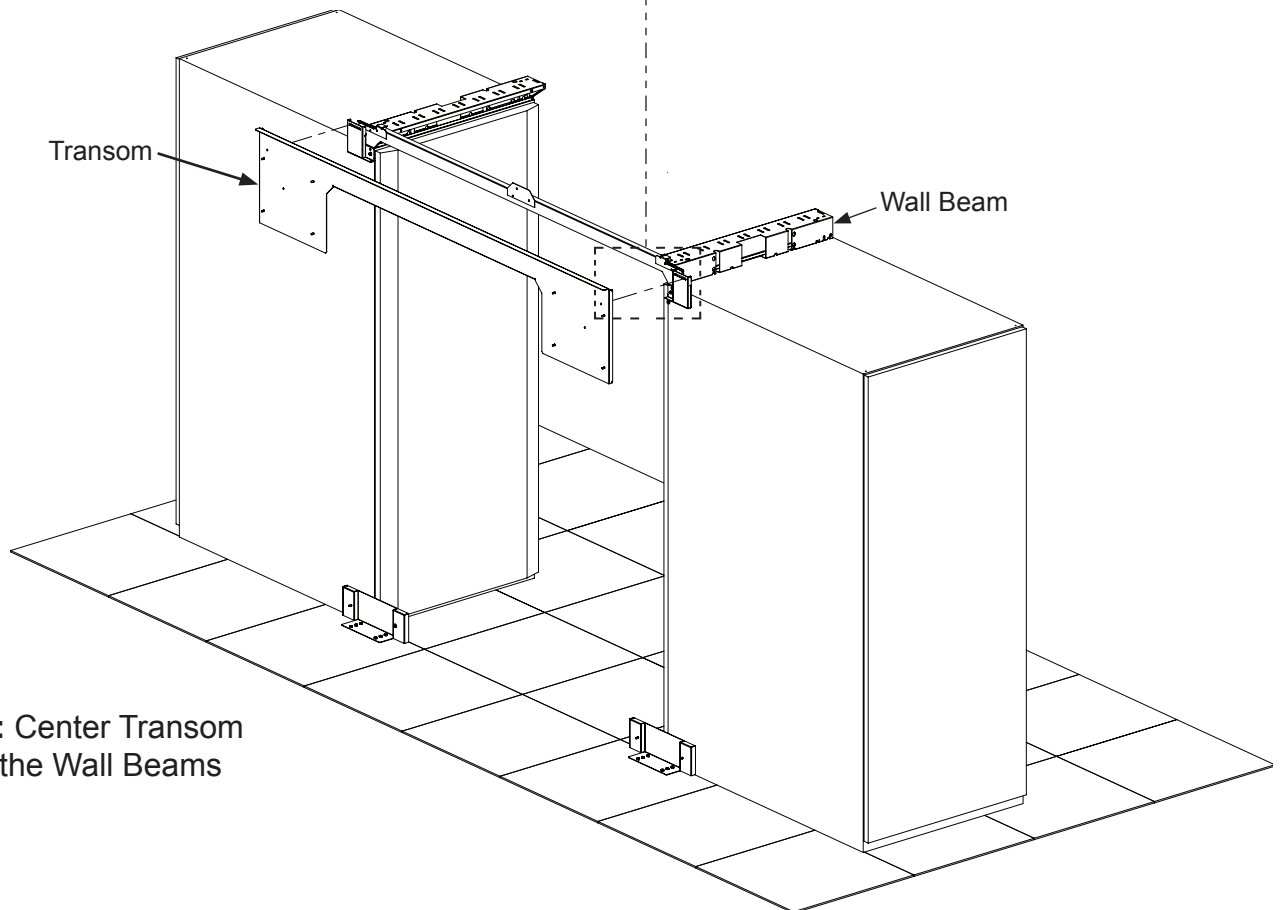
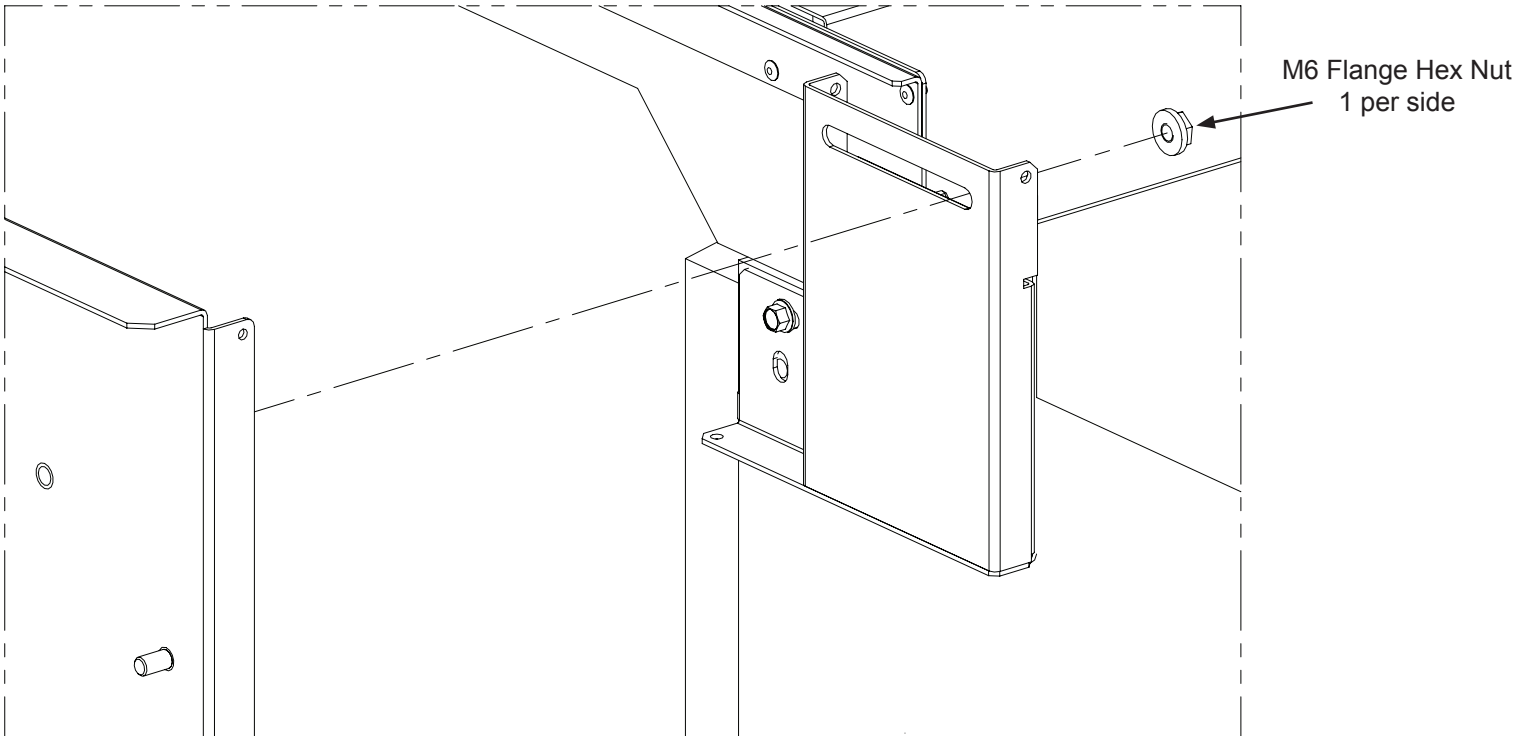
## **Attach Foam Seals**

- Attach Foam Seals in approximate locations shown below.



### **Attach Transom on 42RU or 48RU**

- Attach Transom directly to lower RU heights of 42RU or 48RU without the Transom Extender.

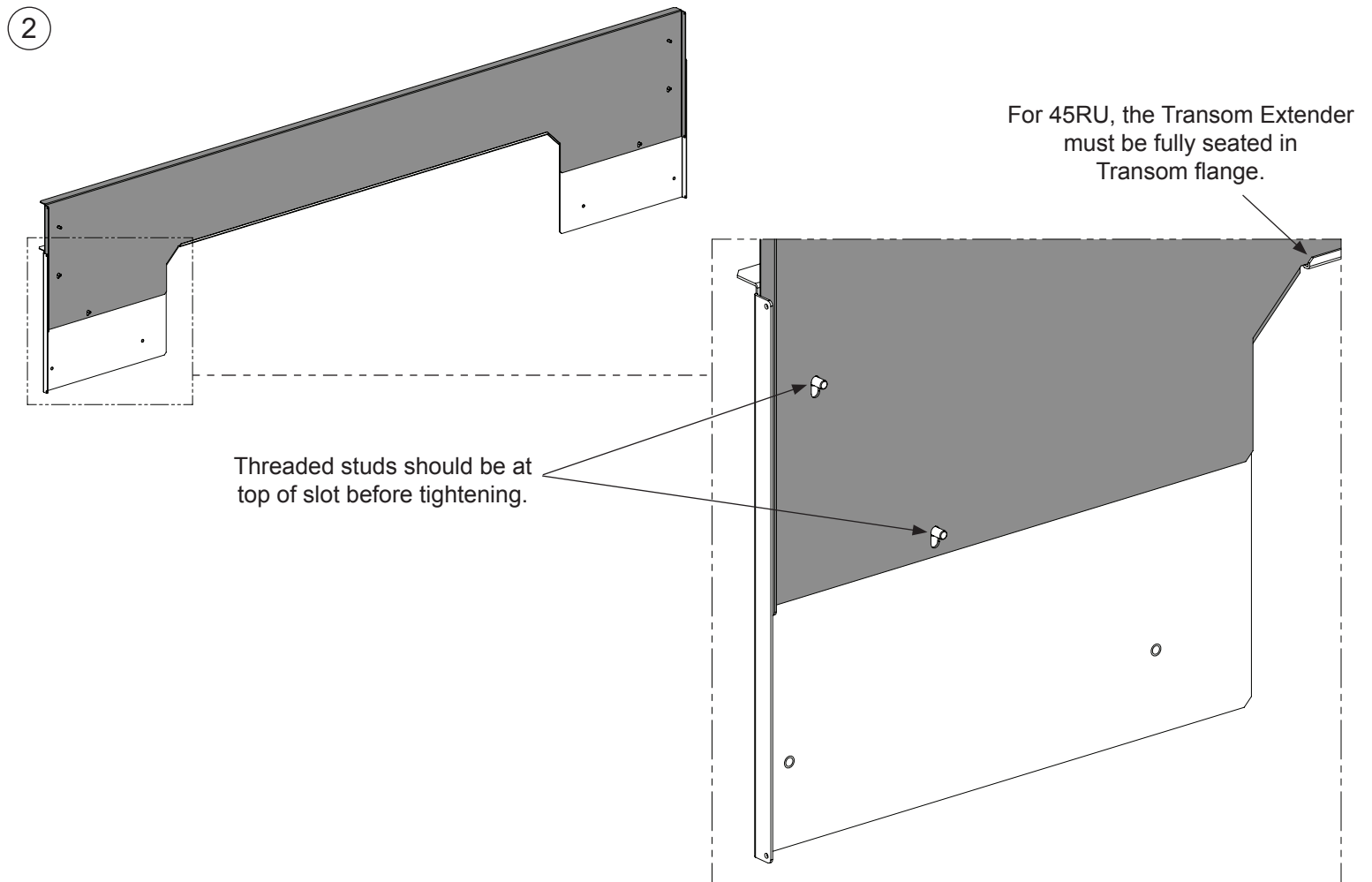
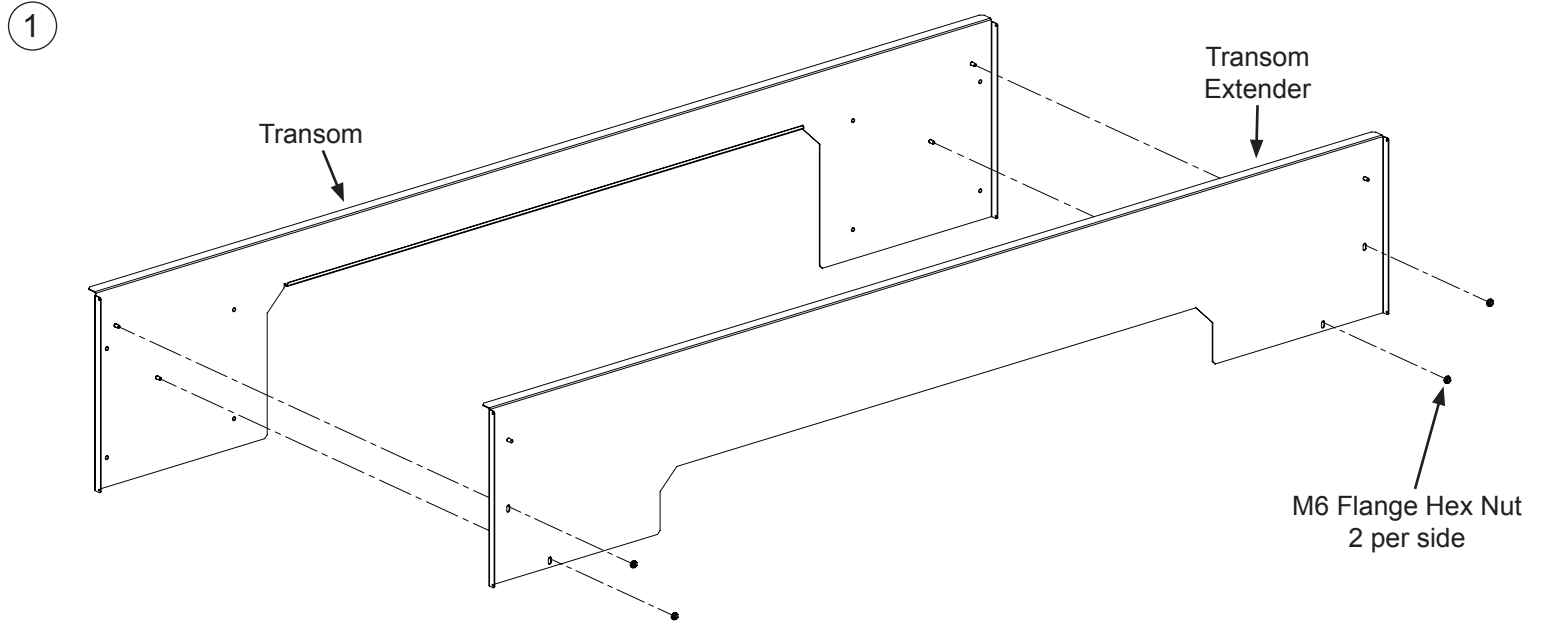


**Important:** Center Transom  
between the Wall Beams



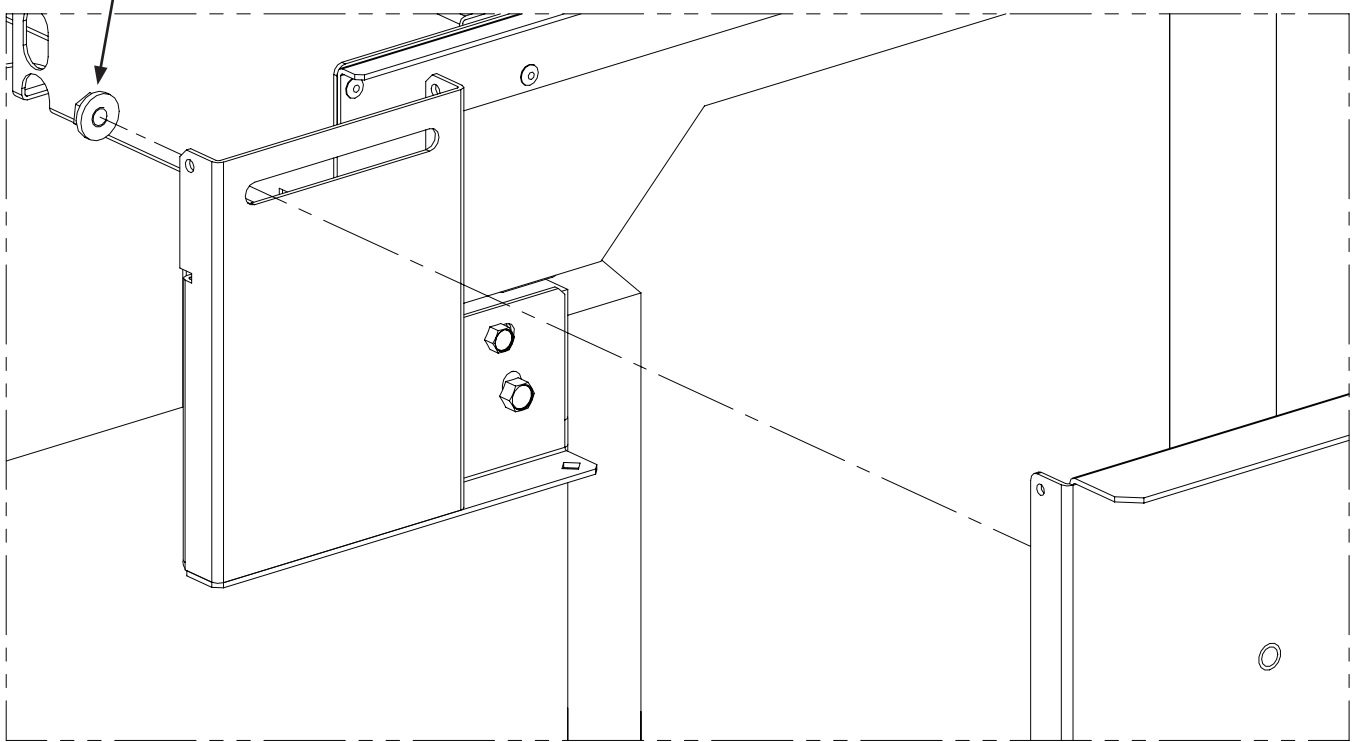
### Attach Transom on 45RU or 51RU

- Attaching Transom to higher RU heights of 45RU or 51RU requires the assembly of the Transom to the Transom Extender.
- For the 45RU, the flange on the Transom must hook around the underside of the Transom Extender as shown in Figure 2.

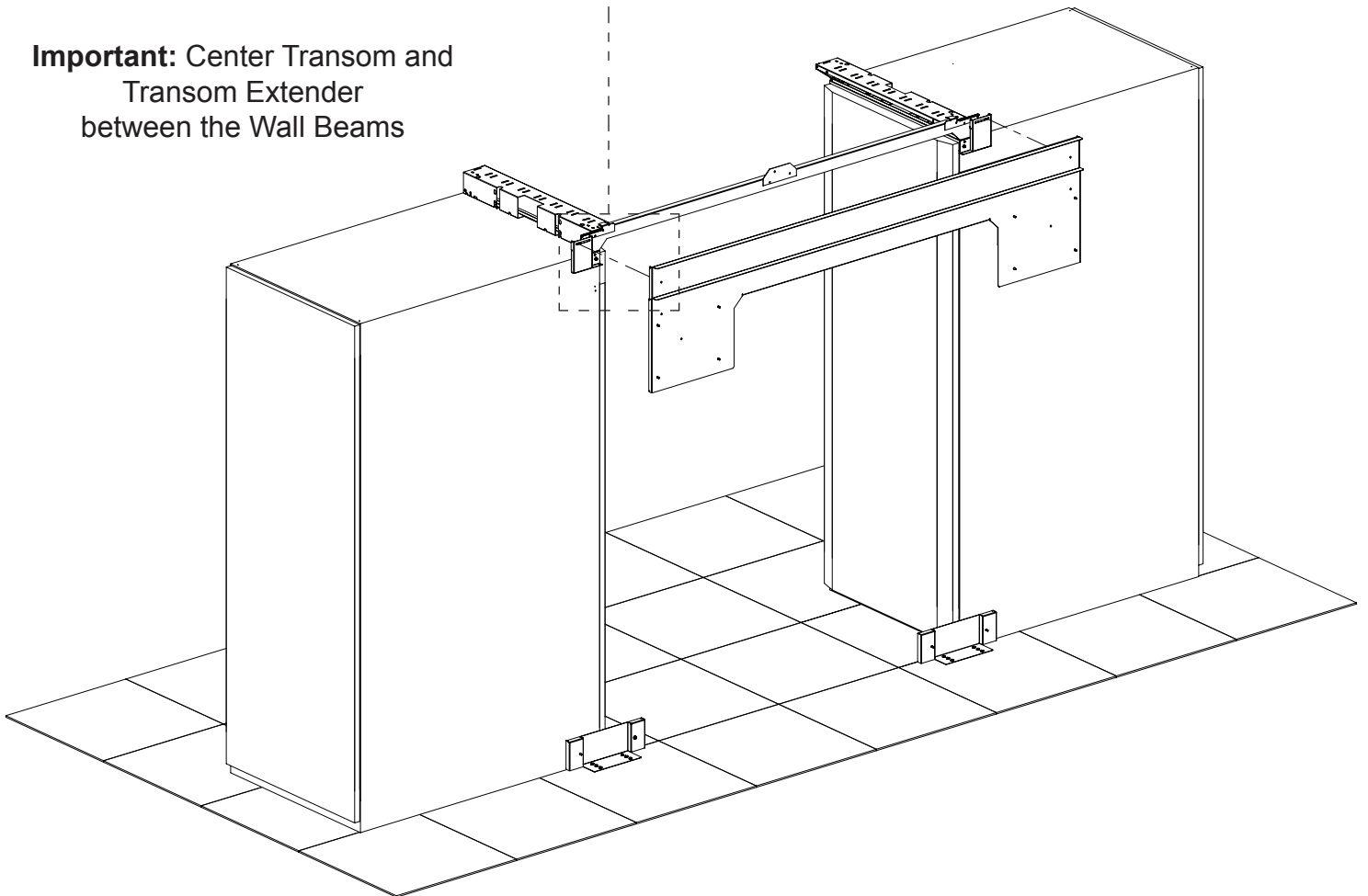


3

M6 Flange Hex Nut  
1 per side

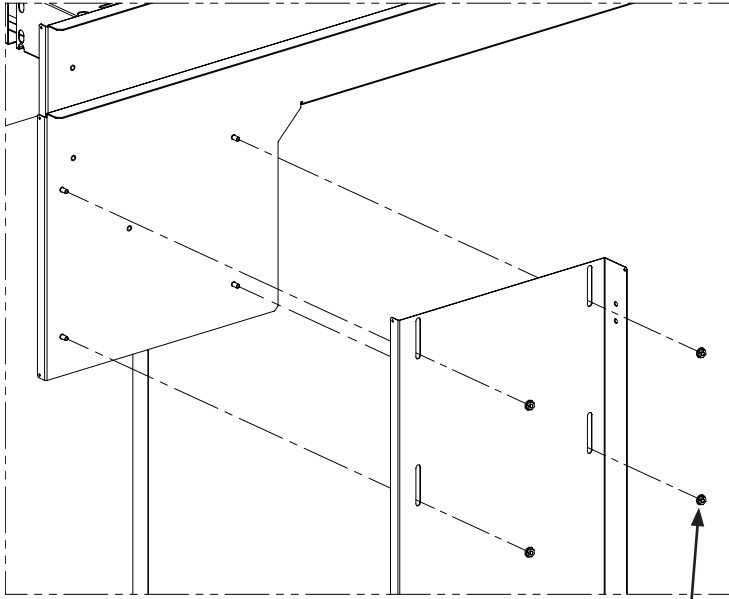


**Important:** Center Transom and  
Transom Extender  
between the Wall Beams



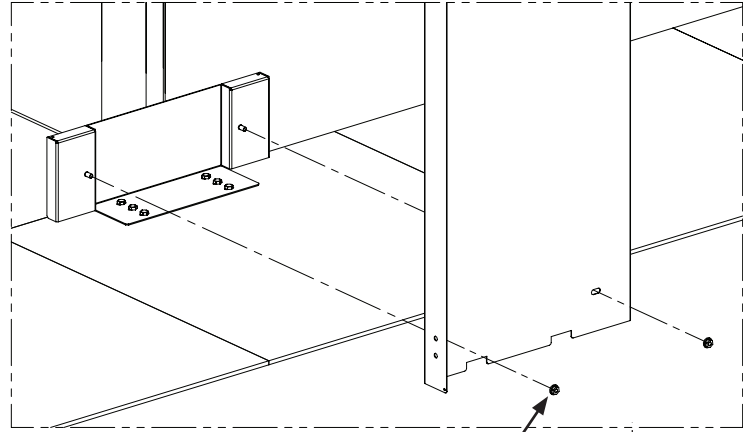
## Attach Blanking Panels

Upper part of Blanking Panel

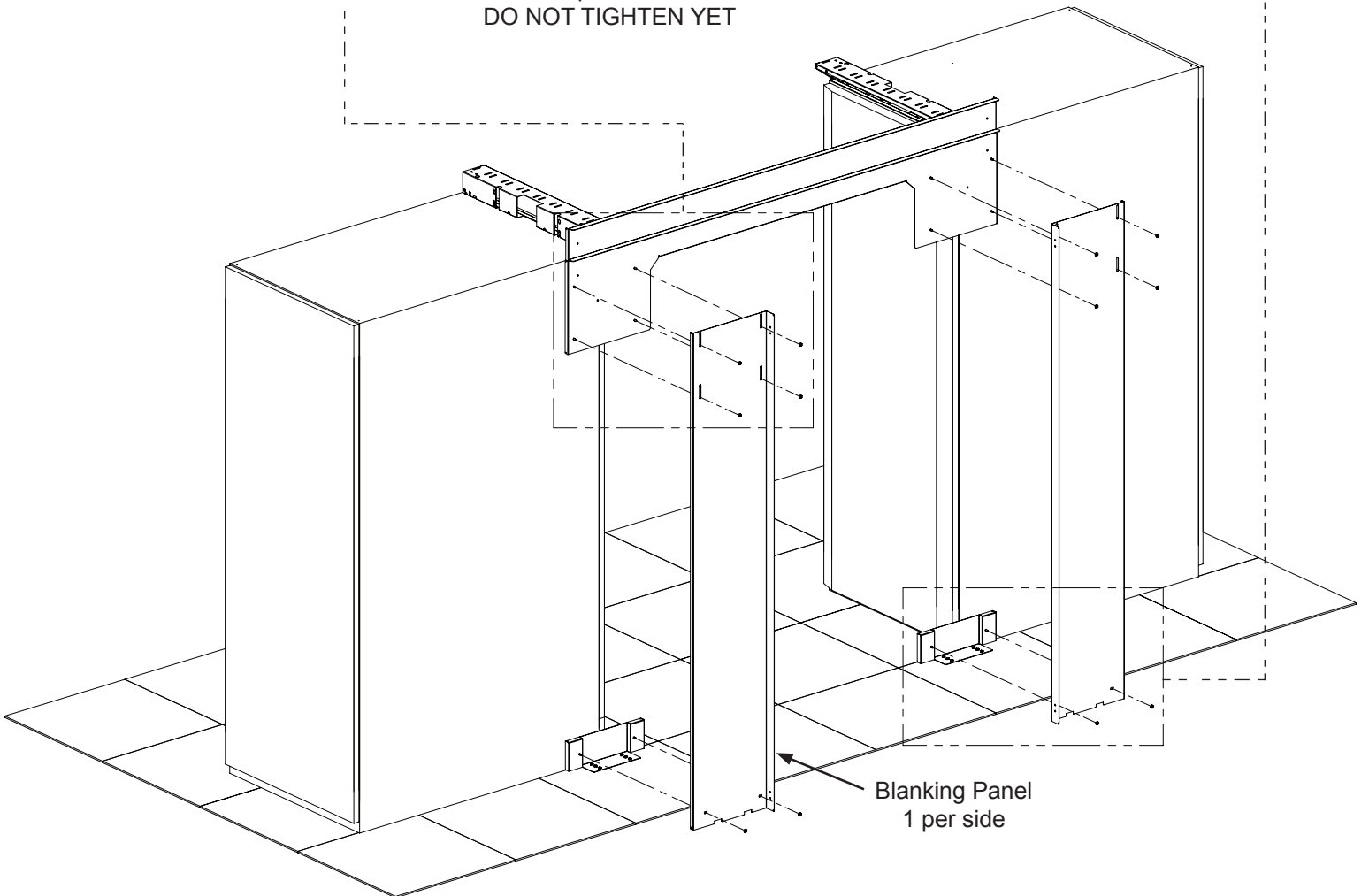


M6 Flange Hex Nut  
4 per side  
DO NOT TIGHTEN YET

Lower part of Blanking Panel



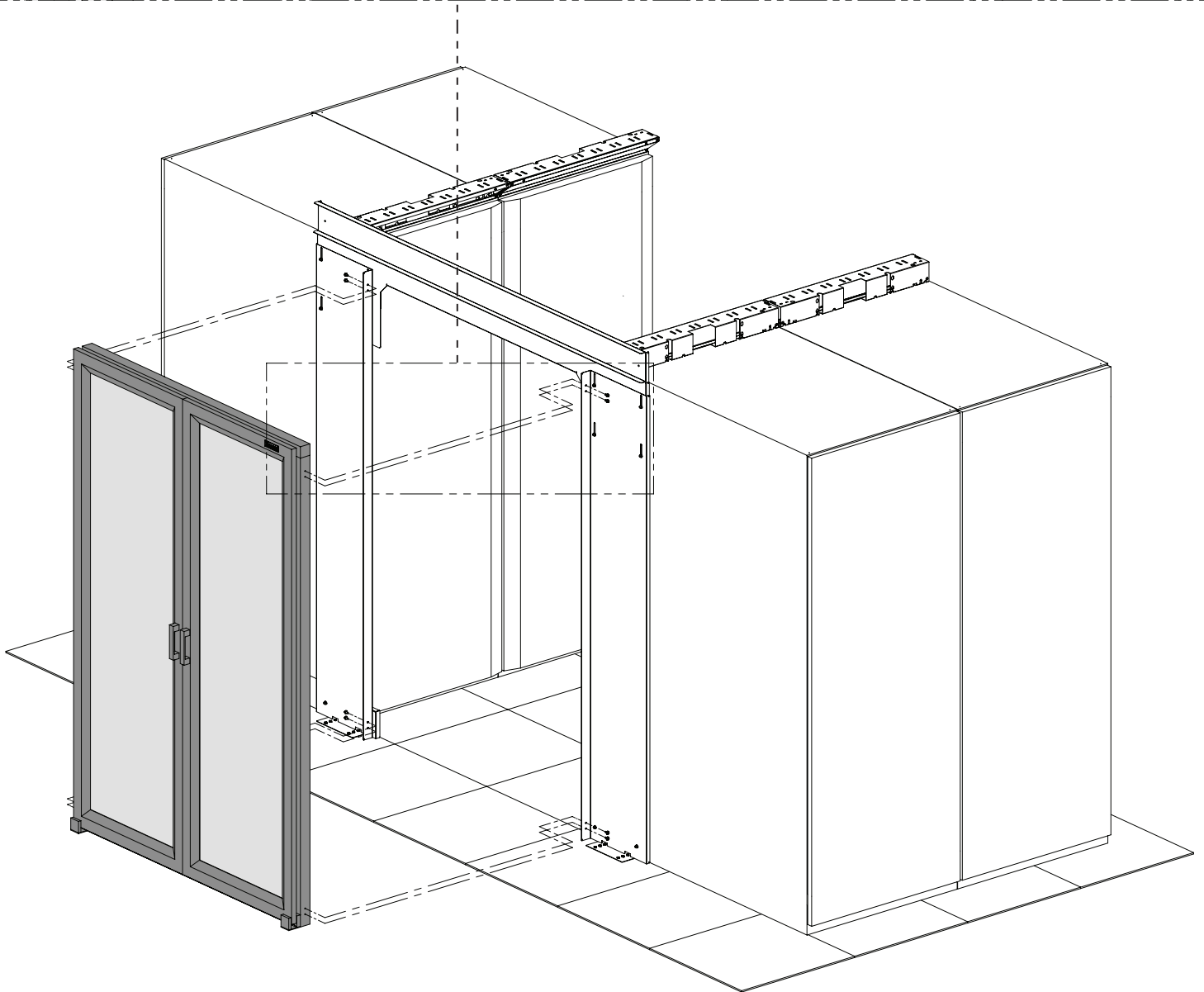
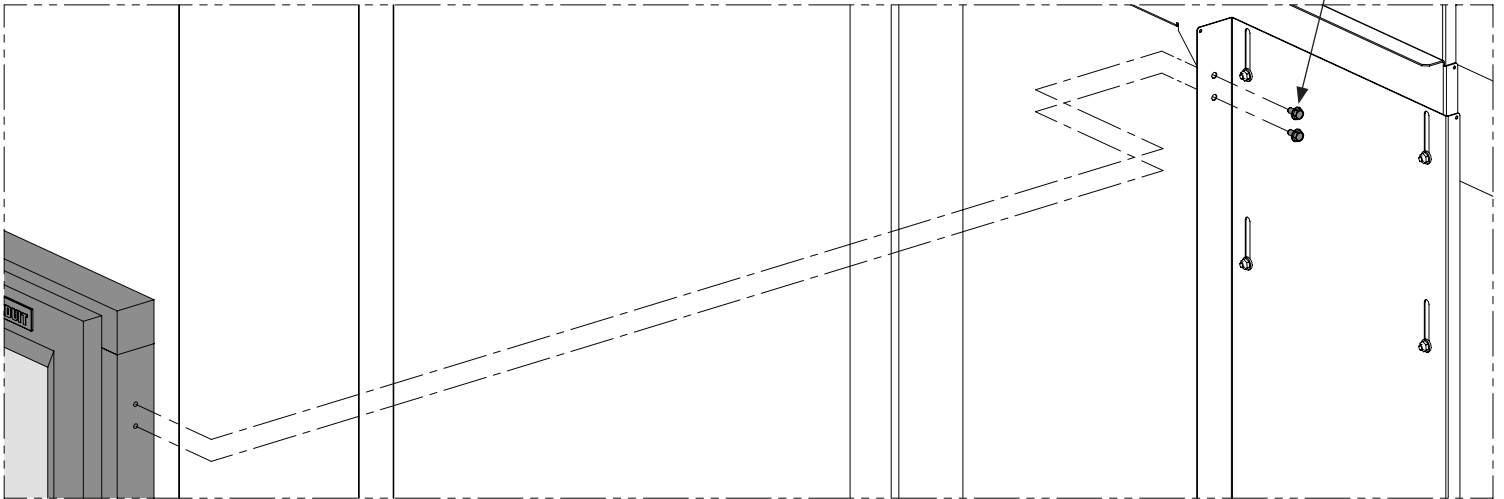
M6 Flange Hex Nut  
2 per side  
DO NOT TIGHTEN YET



Blanking Panel  
1 per side

## Install Dual Door onto the Door Adapter Frame

(8) 1/4-14 Self Drilling Screw



# SECTION 4

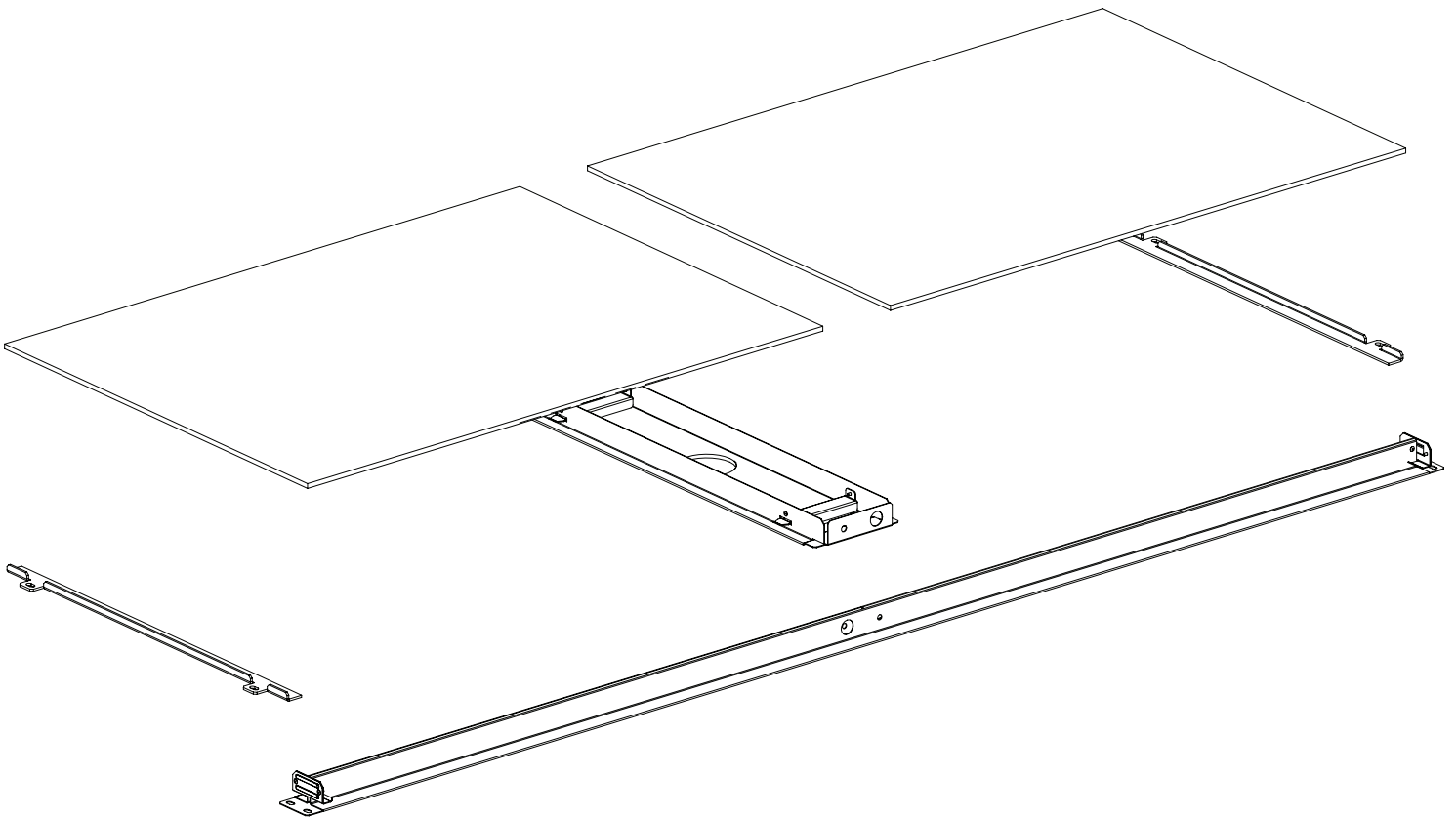
## INSTALLATION OF CEILING STRUCTURE

Part Number(s)

**C2CAC06F06IR\*\***

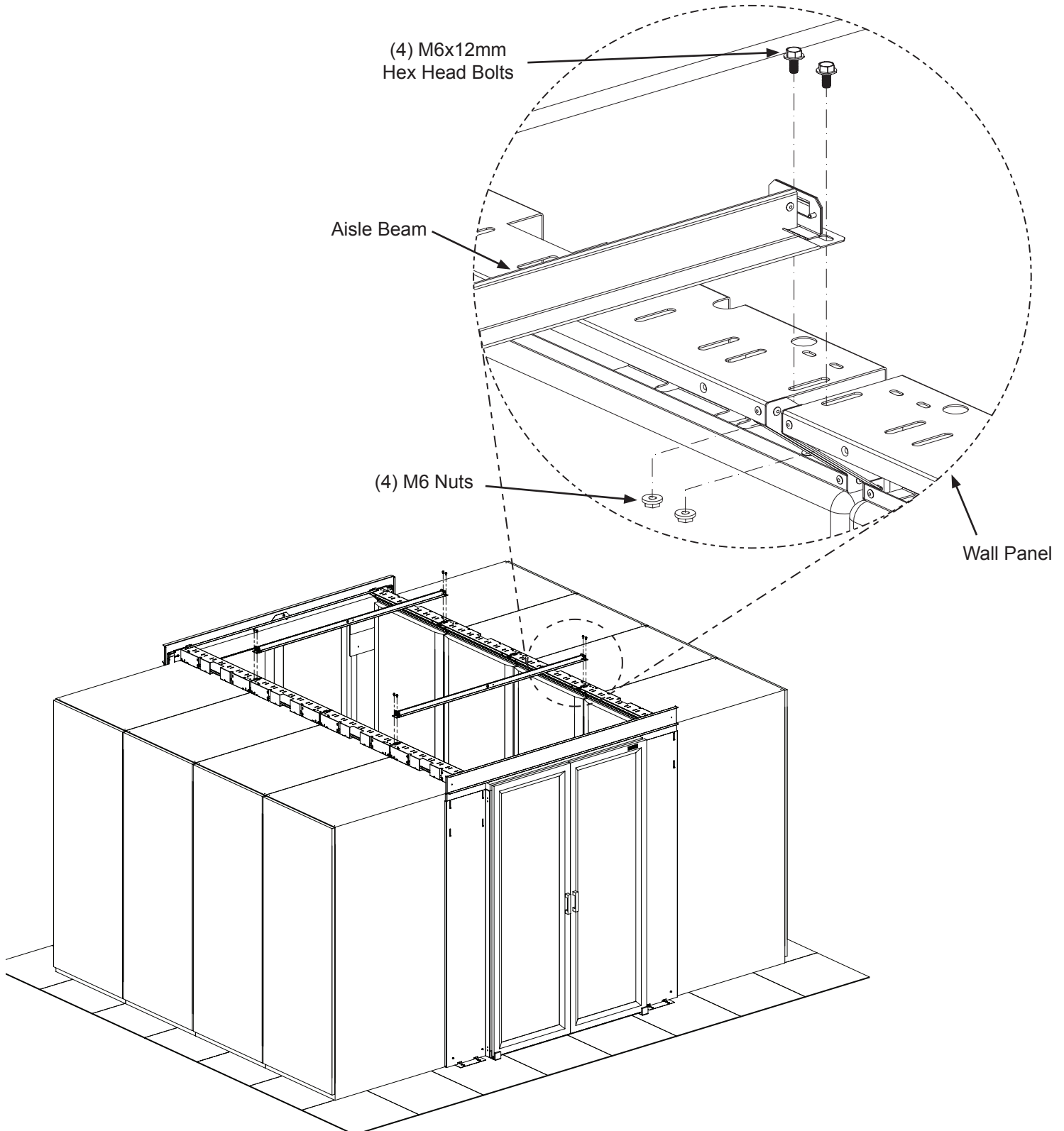
**C2CAC07F06IR\*\***

**C2CAC08F06IR\*\***



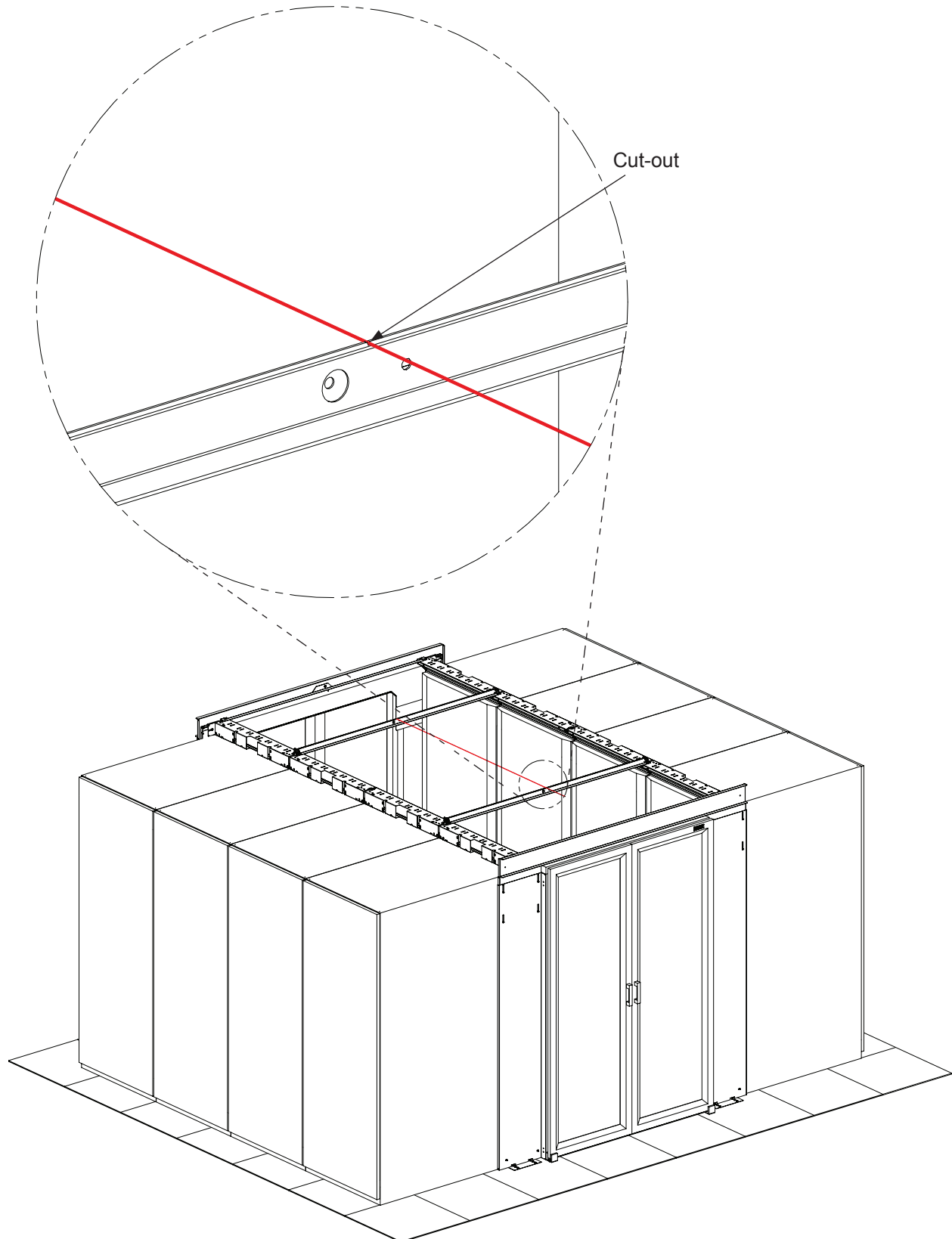
## Initial Aisle Beam Installation

- Install (1) Aisle Beam into adjacent Wall Panels (1) cabinet in from the end of each POD.
- Center Aisle Beam across the aisle. Using the cut out located in the center of the Aisle Beam, position the beam equidistant from the Wall Panels. Example, 24" (609mm) from each Wall Panel.
- Secure Aisle Beam with (4) M6x12mm hex head bolts and (4) M6 nuts, as shown below.
- Repeat process at other end of row.



## **Aisle Beam Alignment**

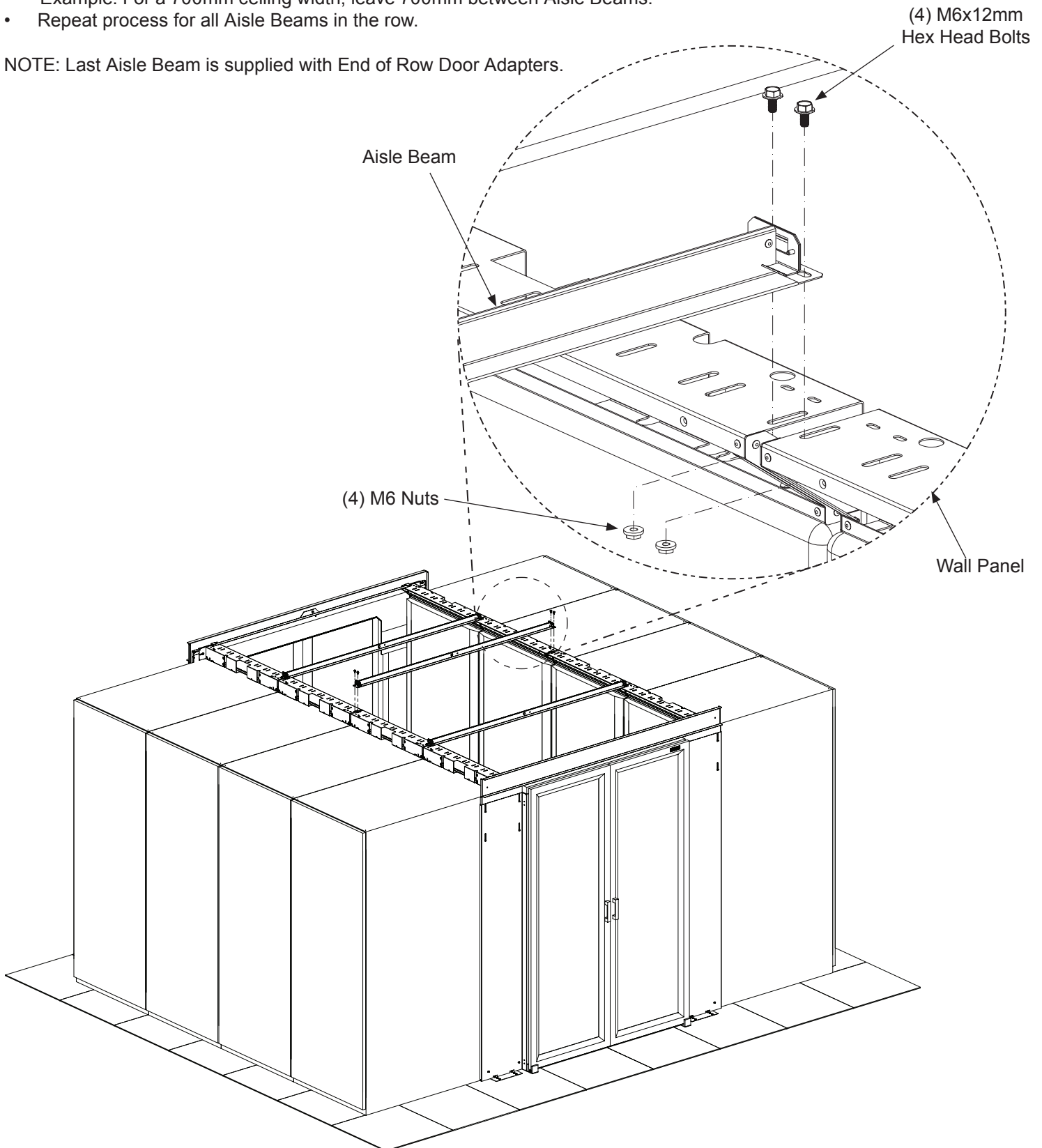
- Use a laser (or string if laser is not available) to set a base line from one end of the POD to the other.
- Use the in the middle of the Aisle Beam to set your base line.



## Additional Aisle Beam Installation

- Ensure Wall Panels are level
- Align the Aisle Beam Cut-outs to the laser or string set in previous step.
- Secure Aisle Beam with (4) M6x12mm hex head bolts and (4) M6 nuts. (Space Aisle Beam appropriately apart. Example: For a 700mm ceiling width, leave 700mm between Aisle Beams.)
- Repeat process for all Aisle Beams in the row.

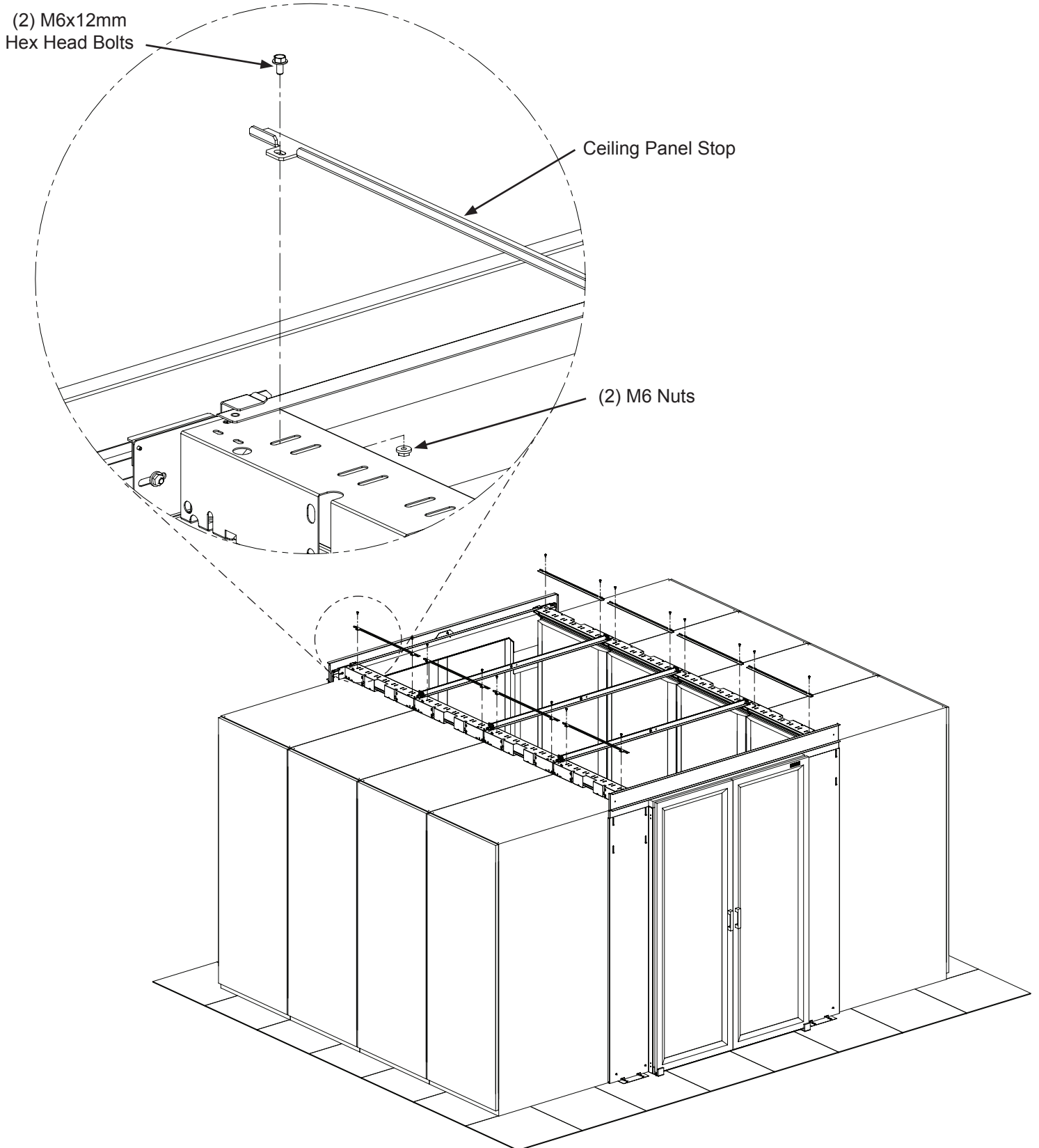
NOTE: Last Aisle Beam is supplied with End of Row Door Adapters.





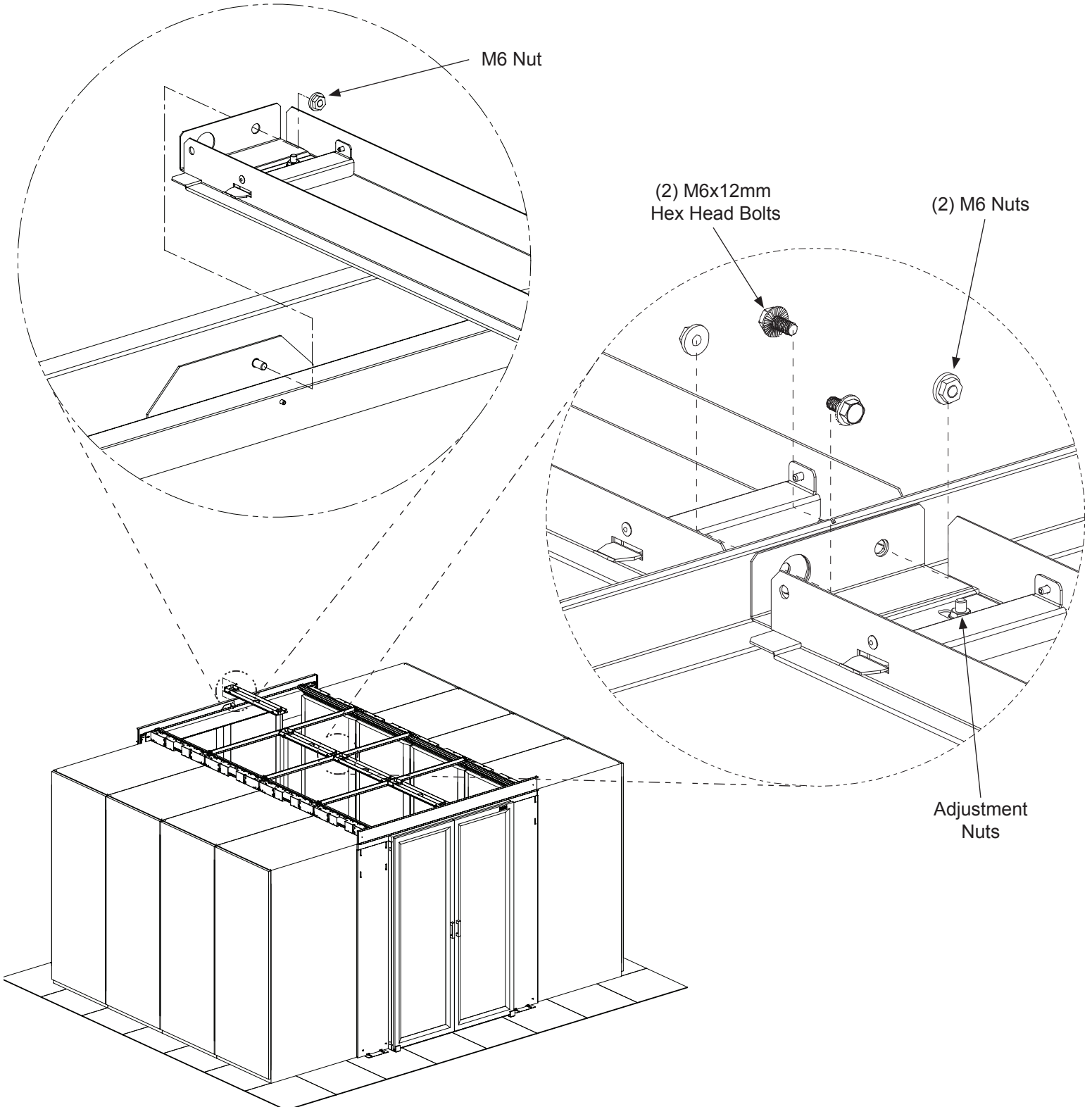
## Ceiling Panel Stop Installation

- Attach (1) ceiling panel stop in between each set of aisle beams with (2) M6x12mm hex head bolts and (2) M6 nuts. (Leave loose)
- Slide each ceiling panel stop to the full back position.



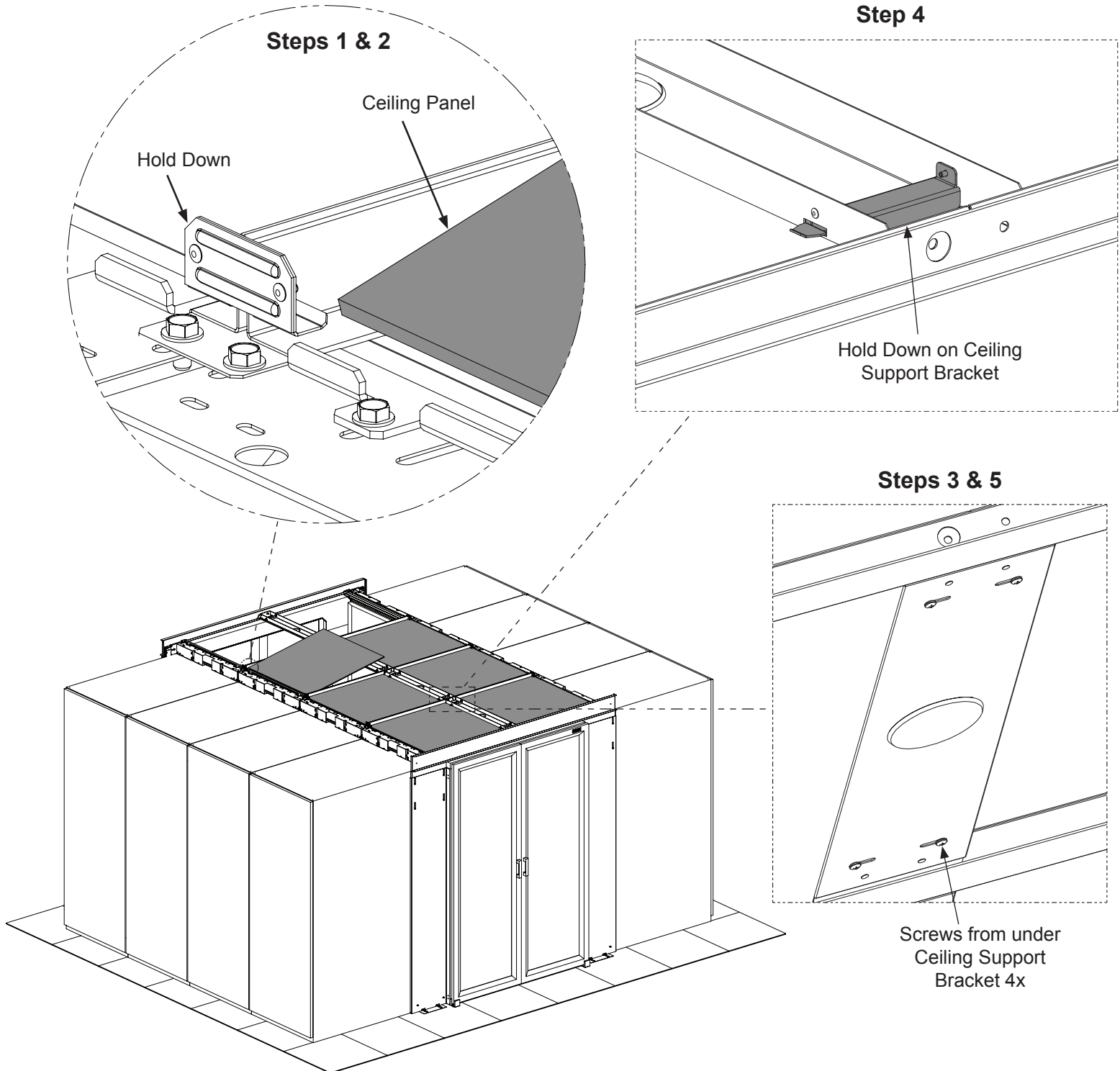
## Ceiling Support Bracket Installation

- Place Ceiling Support Bracket in Alignment with holes in the Aisle Beams.
- Adjust width if needed using (2) adjustment nuts.
- Secure (2) Ceiling Support Brackets with (2) M6 x 12mm hex head bolts and (2) M6 nuts, as shown below.
- Repeat process for all Ceiling Support Brackets in the row.
- Secure the Support Bracket to the Door Adapters at each end with (1) M6 Nut.



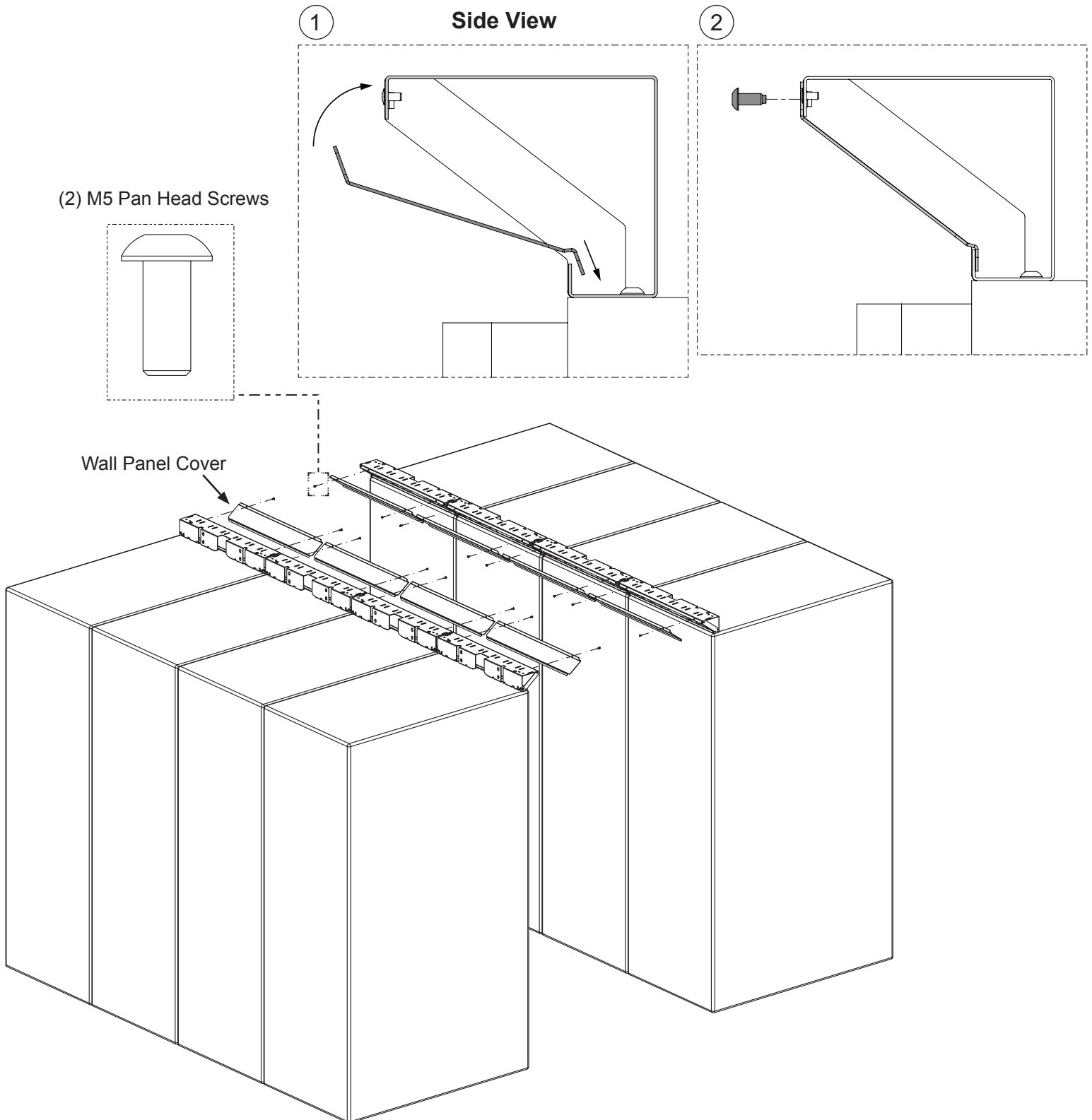
## Ceiling Panel Installation

- Step 1: With Ceiling Panel on an angle, slide Ceiling Panel under hold down on Aisle Beam.
- Step 2: Slide Ceiling Panel Stop under Ceiling Panel and tighten hardware for Ceiling Panel Stop.
- Step 3: Loosen screws under the bottom of the Ceiling Support Bracket.
- Step 4: Slide hold down on Ceiling Support Bracket over top of Ceiling Panel.
- Step 5: Tighten screws under Ceiling Support Bracket.



### Attaching Wall Panel Cover (Wall Panel Covers from Section 2)

- Using (2) M5 pan head screws, attach (1) Wall Panel Cover to each Wall Panel.
- NOTE: Ceiling and Door components missing from view for clarity purposes.



For Instructions in Local Languages  
and Technical Support:

[www.panduit.com/resources/install\\_maintain.asp](http://www.panduit.com/resources/install_maintain.asp)

**PANDUIT**

[www.panduit.com](http://www.panduit.com)

E-mail:  
[techsupport@panduit.com](mailto:techsupport@panduit.com)

Phone:  
866-405-6654