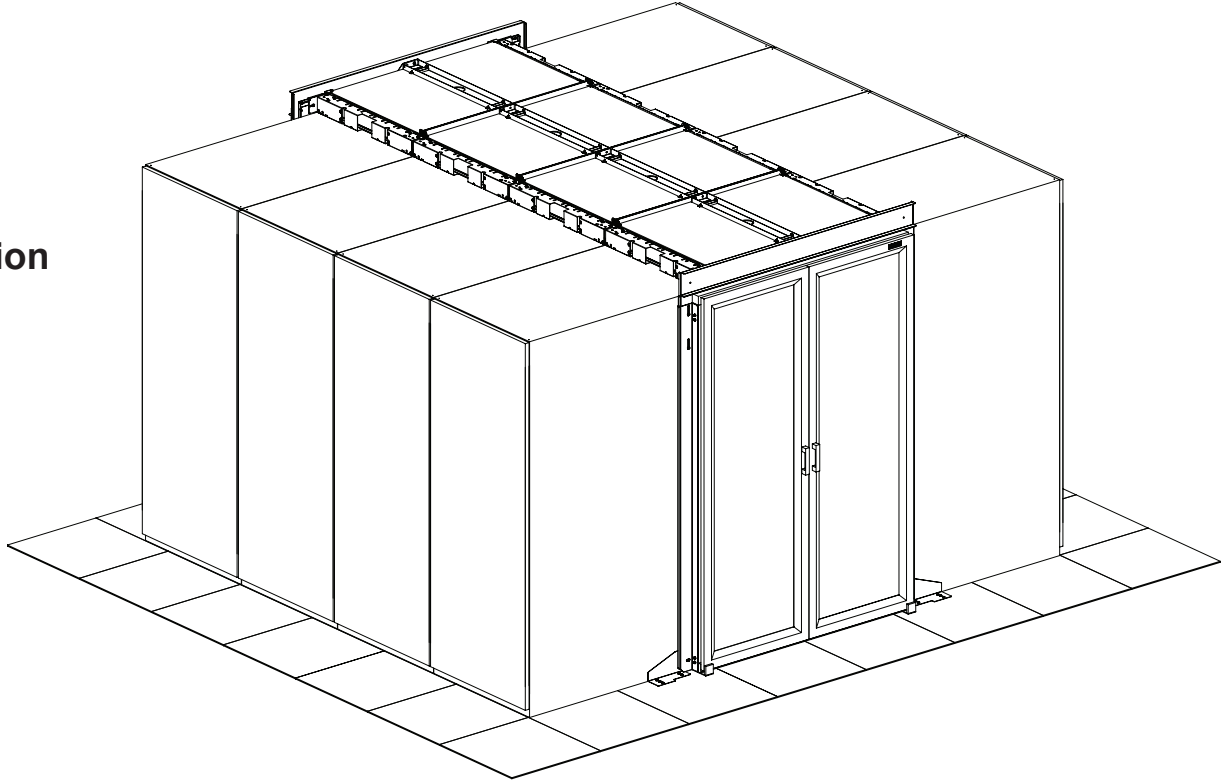
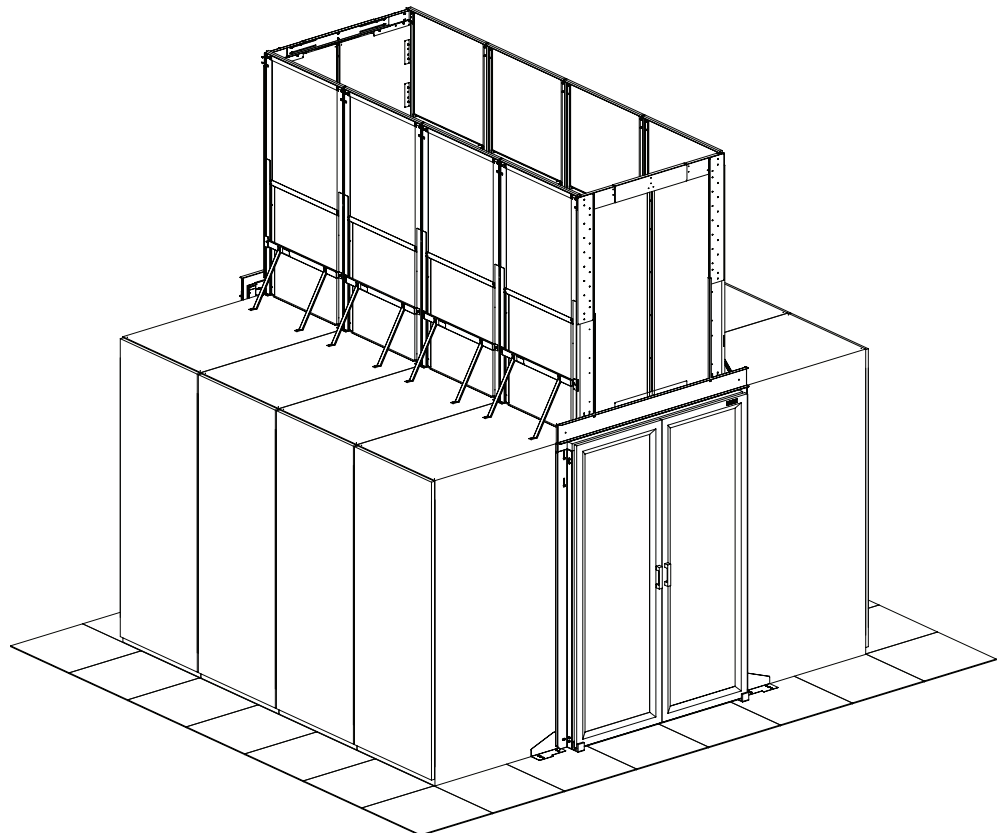


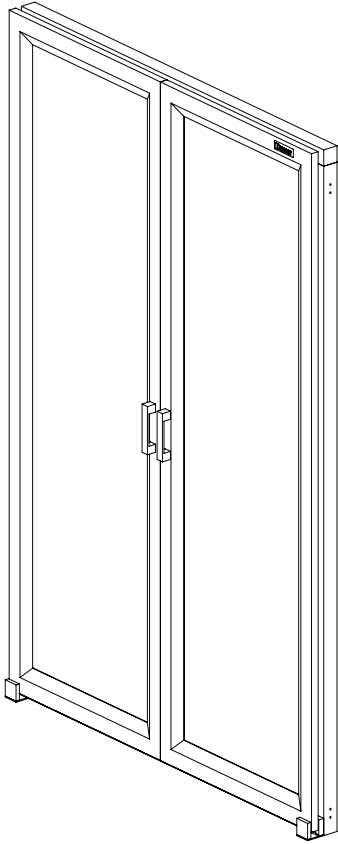
Roofing Version



Vertical Wall Version



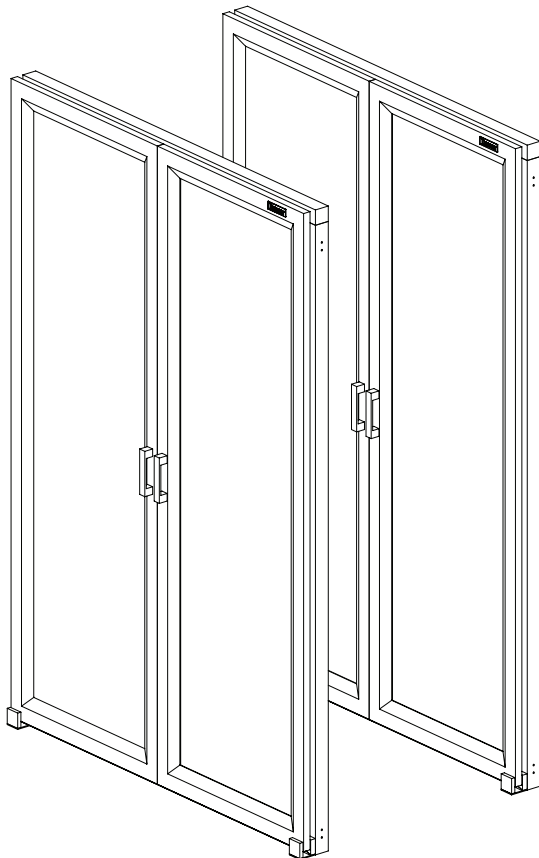
Component Guide for Doors



Dual Sliding Containment Door

CUD1SD**

- (1) ProGlide Dual Door
- (8) 1/4-14 x 1 Self Drilling Screw



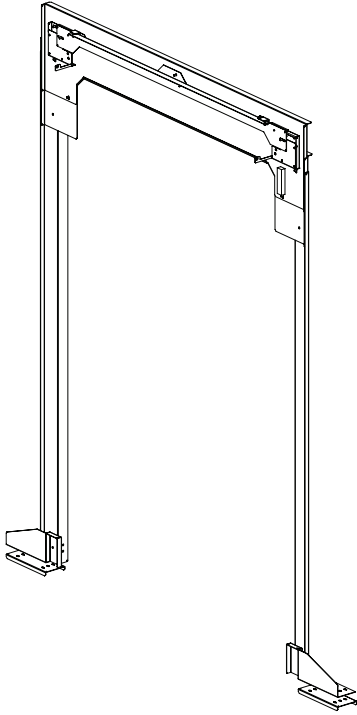
Dual Sliding Containment Doors

CUD2SD**

- (2) ProGlide Dual Door
- (16) 1/4-14 x 1 Self Drilling Screw

Component Guide for Door Adapters

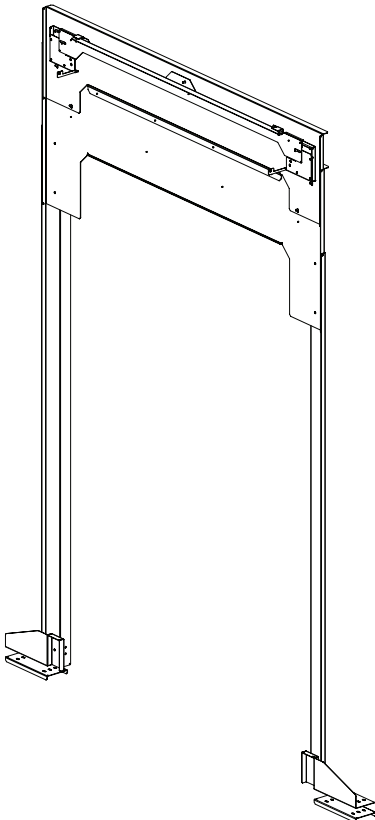
Net-Contain 1200 HAC/CAC Door Adapter 42/45



C2SDT8W04DA**

- (1) 1200 Aisle Beam Assembly
- (1) Cabinet Bracket Assembly RH
- (1) Cabinet Bracket Assembly LH
- (1) 1200 Transom 42/45
- (1) 3RU Extender 1200
- (1) RH Door Mounting Rail 1200mm Aisle
- (1) LH Door Mounting Rail 1200mm Aisle
- (1) Foot, Floor Mount 900/1200 RH
- (1) Foot, Floor Mount 900/1200 LH
- (2) Underfloor Plate
- (1) Hardware Kit

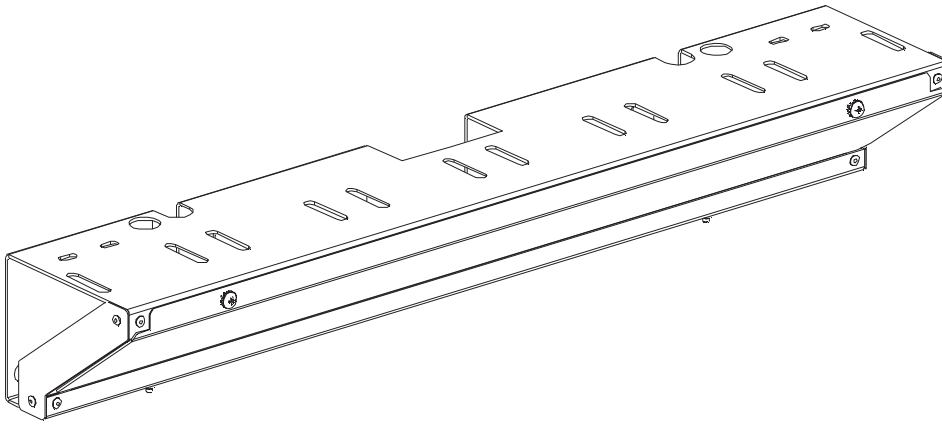
Net-Contain 1200 HAC/CAC Door Adapter 48/51



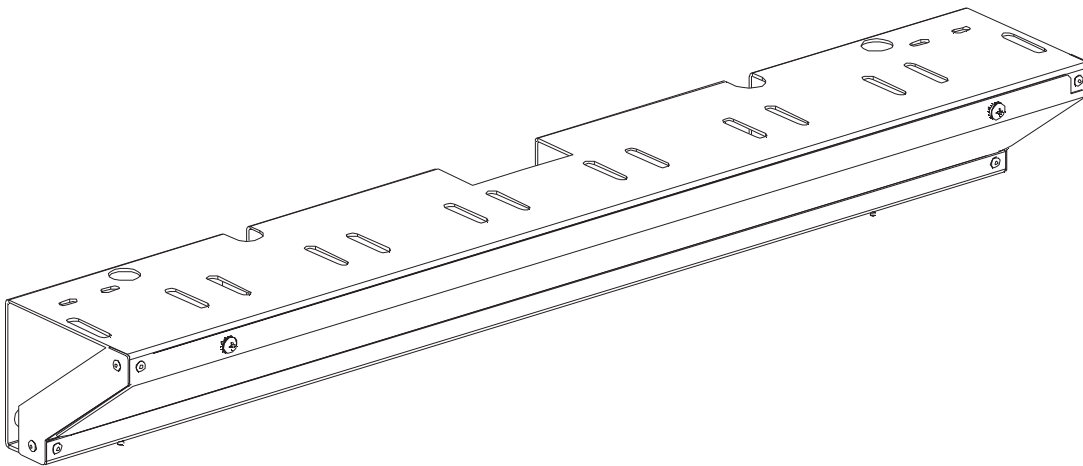
C2SDT9W04DA**

- (1) 1200 Aisle Beam Assembly
- (1) Cabinet Bracket Assembly RH
- (1) Cabinet Bracket Assembly LH
- (1) 1200 Transom 48/51
- (1) 3RU Extender 1200
- (1) RH Door Mounting Rail 1200mm Aisle
- (1) LH Door Mounting Rail 1200mm Aisle
- (1) Foot, Floor Mount 900/1200 RH
- (1) Foot, Floor Mount 900/1200 LH
- (2) Underfloor Plate
- (1) Hardware Kit

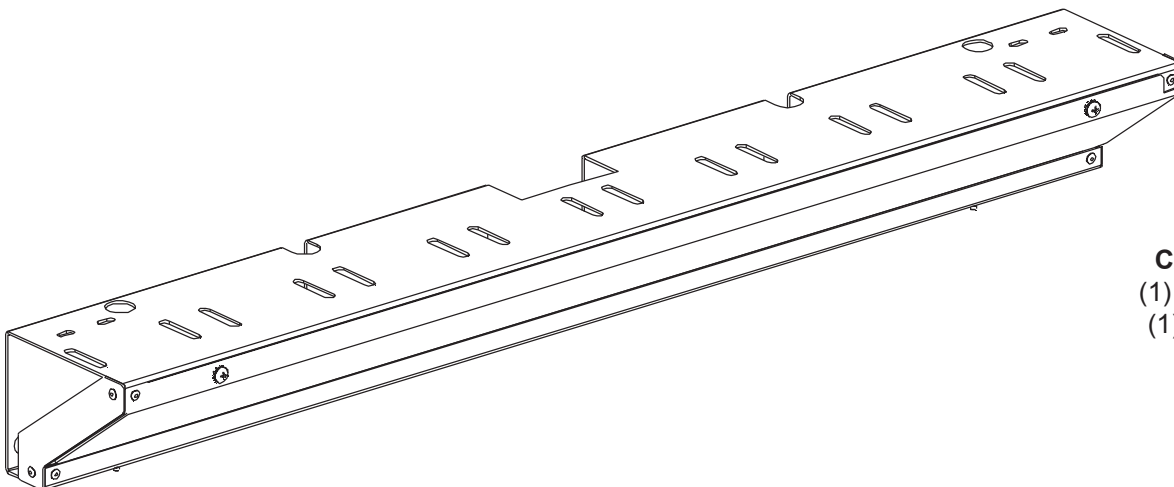
Component Guide for Wall Panels



- C2CAC06F08WP****
(1) 600mm Wall Panel
(1) Wall Panel Cover
(1) Hardware Kit

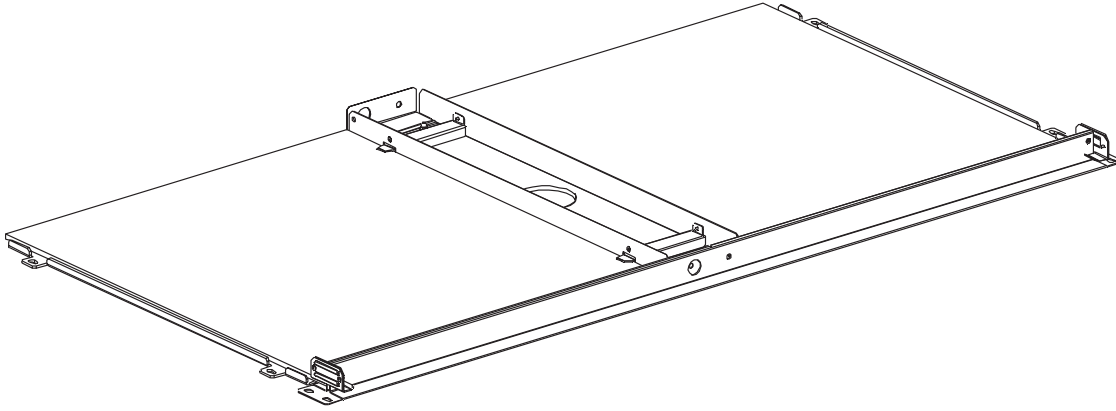


- C2CAC07F08WP****
(1) 700mm Wall Panel
(1) Wall Panel Cover
(1) Hardware Kit



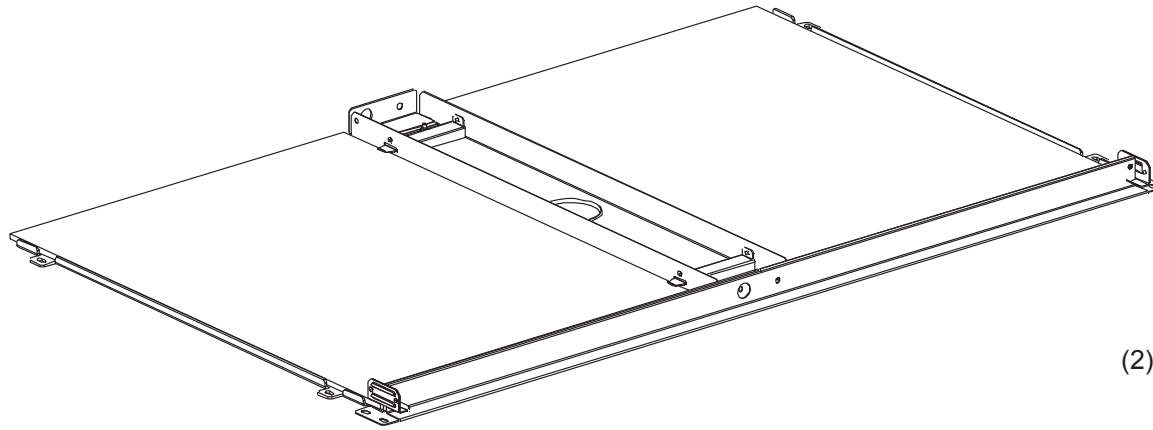
- C2CAC08F08WP****
(1) 800mm Wall Panel
(1) Wall Panel Cover
(1) Hardware Kit

Component Guide for Ceiling Structure



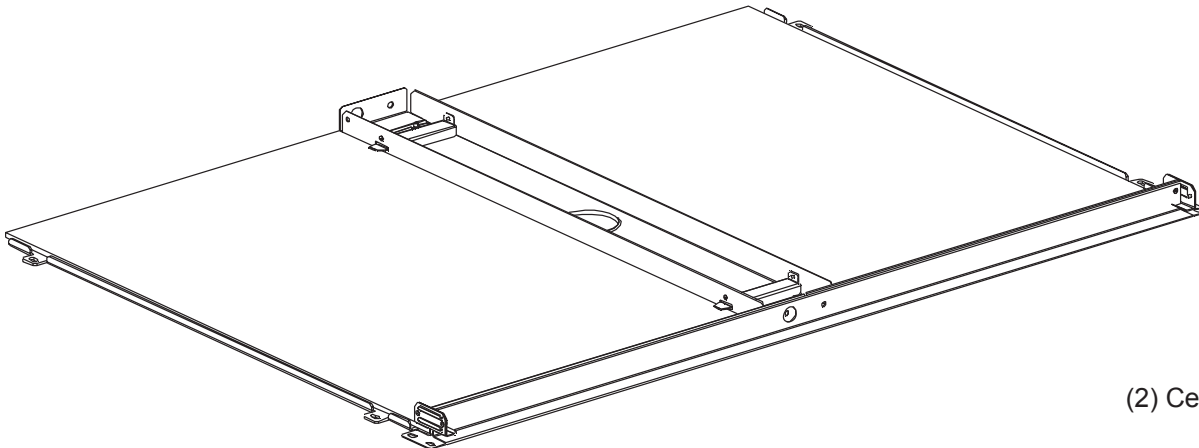
C2CAC06F04IR**

- (2) Ceiling Panels 600mm Wide
- (1) Aisle Beam
- (2) Ceiling Panel Stops
- (1) Center Beam Assembly
- (1) Hardware Kit



C2CAC07F04IR**

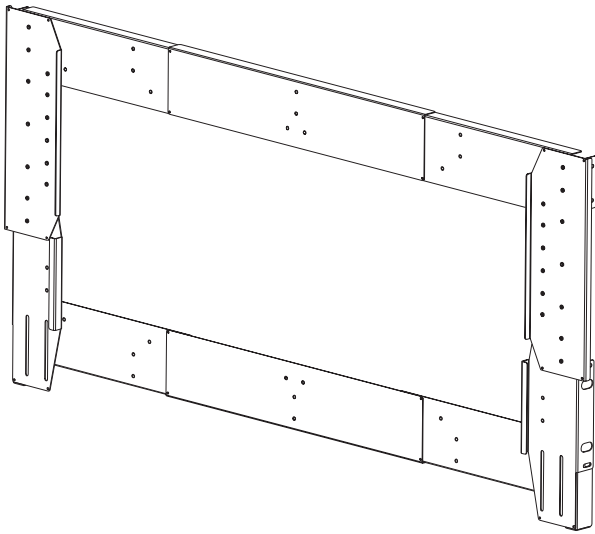
- (2) Ceiling Panels 700mm Wide
- (1) Aisle Beam
- (2) Ceiling Panel Stops
- (1) Center Beam Assembly
- (1) Hardware Kit



C2CAC08F04IR**

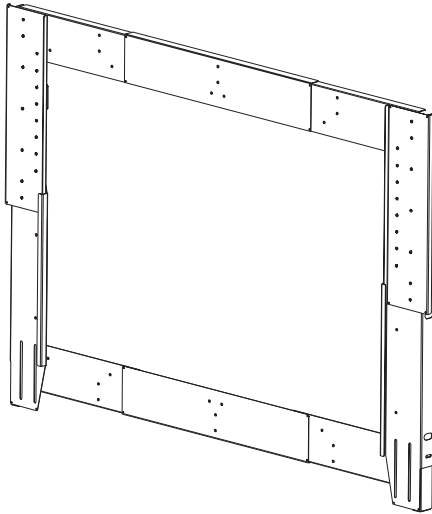
- (2) Ceiling Panels 800mm Wide
- (1) Aisle Beam
- (2) Ceiling Panel Stops
- (1) Center Beam Assembly
- (1) Hardware Kit

Component Guide for End of Row Vertical Walls



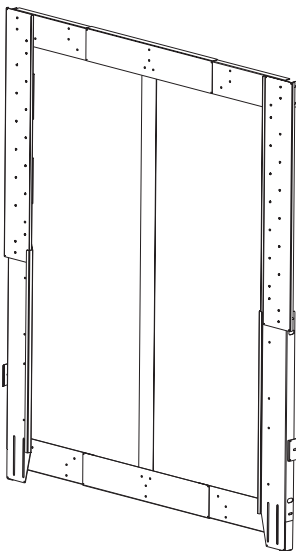
C2HACER1626**

- (2) Center Frames
- (2) Center Cross Beams
- (1) Upper Right Cross Beam
- (1) Upper Left Cross Beam
- (1) Lower Right Cross Beam
- (1) Lower Left Cross Beam
- (4) 200mm Panel Clamps
- (6) 40mm Panel Clamps
- (1) 1626 Clear Panel
- (1) Hardware Kit



C2HACER12638**

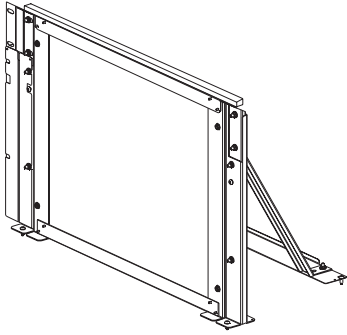
- (2) Center Frames
- (2) Center Cross Beams
- (1) Upper Right Cross Beam
- (1) Upper Left Cross Beam
- (1) Lower Right Cross Beam
- (1) Lower Left Cross Beam
- (6) 200mm Panel Clamps
- (4) 40mm Panel Clamps
- (1) 2638 Clear Panel
- (1) Hardware Kit



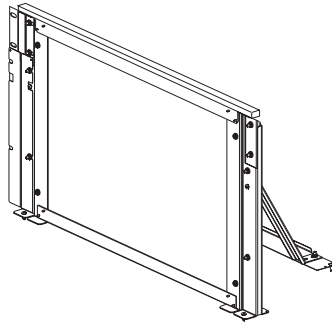
C2HACER13866**

- (2) Center Frames
- (2) Center Cross Beams
- (1) Upper Right Cross Beam
- (1) Upper Left Cross Beam
- (1) Lower Right Cross Beam
- (1) Lower Left Cross Beam
- (8) 200mm Panel Clamps
- (6) 100mm Panel Clamps
- (2) Side Clamps
- (2) 3866 Clear Panels
- (1) H Channel
- (1) Hardware Kit

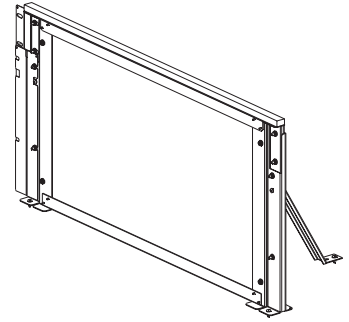
Component Guide for Cabinet Vertical Walls



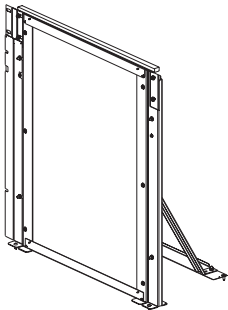
- C2HAC06I1626****
 (1) Wall Assembly (600mm Wide)
 (2) Diagonal Braces
 (1) Brace Bar
 (1) Lower Seal
 (1) Upper Seal
 (1) Hardware Kit



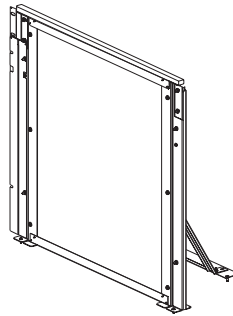
- C2HAC07I1626****
 (1) Wall Assembly (700mm wide)
 (2) Diagonal Braces
 (1) Brace Bar
 (1) Lower Seal
 (1) Upper Seal
 (1) Hardware Kit



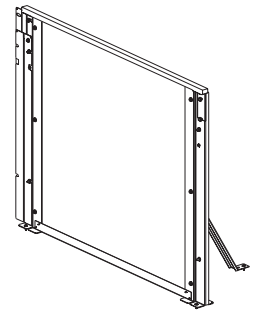
- C2HAC08I1626****
 (1) Wall Assembly (800mm wide)
 (2) Diagonal Braces
 (1) Lower Seal
 (1) Upper Seal
 (1) Hardware Kit



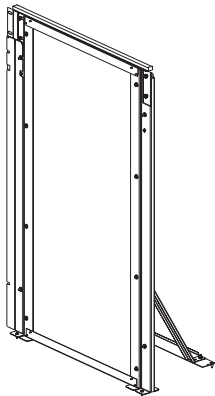
- C2HAC06I2638****
 (1) Wall Assembly (600mm Wide)
 (2) Diagonal Braces
 (1) Brace Bar
 (1) Lower Seal
 (1) Upper Seal
 (1) Hardware Kit



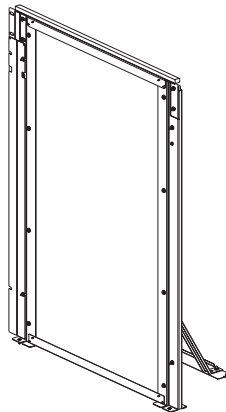
- C2HAC07I2638****
 (1) Wall Assembly (700mm wide)
 (2) Diagonal Braces
 (1) Brace Bar
 (1) Lower Seal
 (1) Upper Seal
 (1) Hardware Kit



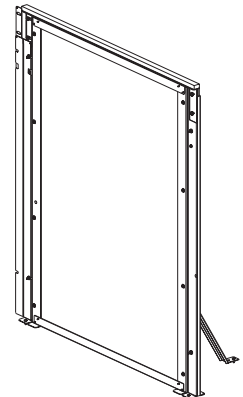
- C2HAC08I2638****
 (1) Wall Assembly (800mm wide)
 (2) Diagonal Braces
 (1) Lower Seal
 (1) Upper Seal
 (1) Hardware Kit



- C2HAC06I3866****
 (1) Wall Assembly (600mm Wide)
 (2) Diagonal Braces
 (1) Brace Bar
 (1) Lower Seal
 (1) Upper Seal
 (1) Hardware Kit



- C2HAC07I3866****
 (1) Wall Assembly (700mm wide)
 (2) Diagonal Braces
 (1) Brace Bar
 (1) Lower Seal
 (1) Upper Seal
 (1) Hardware Kit



- C2HAC08I3866****
 (1) Wall Assembly (800mm wide)
 (2) Diagonal Braces
 (1) Lower Seal
 (1) Upper Seal
 (1) Hardware Kit

Table of Contents

SECTION 1	10
<i>Floor Layouts for 4 Foot/ 1200mm Aisle Width Configurations</i>	
Alignment of Cabinet on Raised Floor.....	11
Leveling Cabinet.....	12
Aligning Rows of Cabinets.....	13
Spacing of 4 Foot/ 1200mm Aisle Width for Vertical Wall Applications	14
Spacing of 4 Foot/ 1200mm Aisle Width for Roofing application.....	15
Floor Layout for Installing Door Adapters	16
 SECTION 2	 17
<i>Installation of Cabinet Vertical Wall</i>	
Attaching Diagonal Brace to Wall Panel.....	18
Apply Foam Seal to Wall Panel.....	19
Attaching Brace Bar to Cabinet (Only for 600mm and 700mm Wide Cabinets).....	20
Attaching Wall Panel to Cabinet (For 600mm and 700mm Cabinets).....	21
Attaching Wall Panel to Cabinet (For 800mm Cabinets).....	22
Setting Wall Panel Height.....	23
Aligning Rows of Cabinets.....	24
Sizing Upper Seal.....	25
Attaching Upper Seal.....	26
Attaching Foam to Lower Seal.....	27
Attaching Lower Seal.....	28
Ganging Cabinets	29
 SECTION 3	 30
<i>Installation of End of Row Vertical Wall</i>	
Attaching Lower Side Frame	31
Attaching Lower Cross Beams.....	32
Attaching Upper Cross Beams.....	33
Attach Foam Seal to Upper Side Frame.....	34
Attaching Upper Side Frame.....	35
Attach Center Cross Beams	36
Attach Center Frames.....	37
Assemble H Channel (For C2HACERI3866 Only).....	38
Attach H Channel to Center Frame (For C2HACERI3866 Only).....	39
Mark and Cut H Channel (For C2HACERI3866 Only).....	40
Measure and Cut Wall Panel	41
Attaching H Channel to Clear Panels (For C2HACERI3866 Only).....	42
Attach Bottom and Side Wall Panel Clamps.....	43
Insert Wall Panel	44
Attach Top and Remaining Side Wall Panel Clamps.....	45
Foam Seal Installation	46

SECTION 4 **47**

Installation of Wall Panels (Installed on Roofing Version only)

Wall Panel Installation	48
Attaching Seals to Wall Panels.....	49
Wall Panel Seal Installation / Ganging and Securing Cabinets to Floor.....	50
Wall Panel Covers to be Installed at end of next Section 6.....	51

SECTION 5 **52**

Installation of HAC/CAC Door Adapters and Doors

Inserting Cage Nut into S-Type Cabinets	53
Attaching Feet to the Floor	54
Attaching Aisle Beam (for Roof Version only)	55
Attaching Cabinet Brackets (Roof Version)	56
Attaching Cabinet Brackets (Vertical Wall Version - No Aisle Beam).....	57
Attaching Foam Seal.....	58
Attach Transom on 42RU or 48RU	59
Attach Transom on 45RU or 51RU.....	60
Attach Door Rails	62
Install Dual Door onto the Door Adapter Frame	63

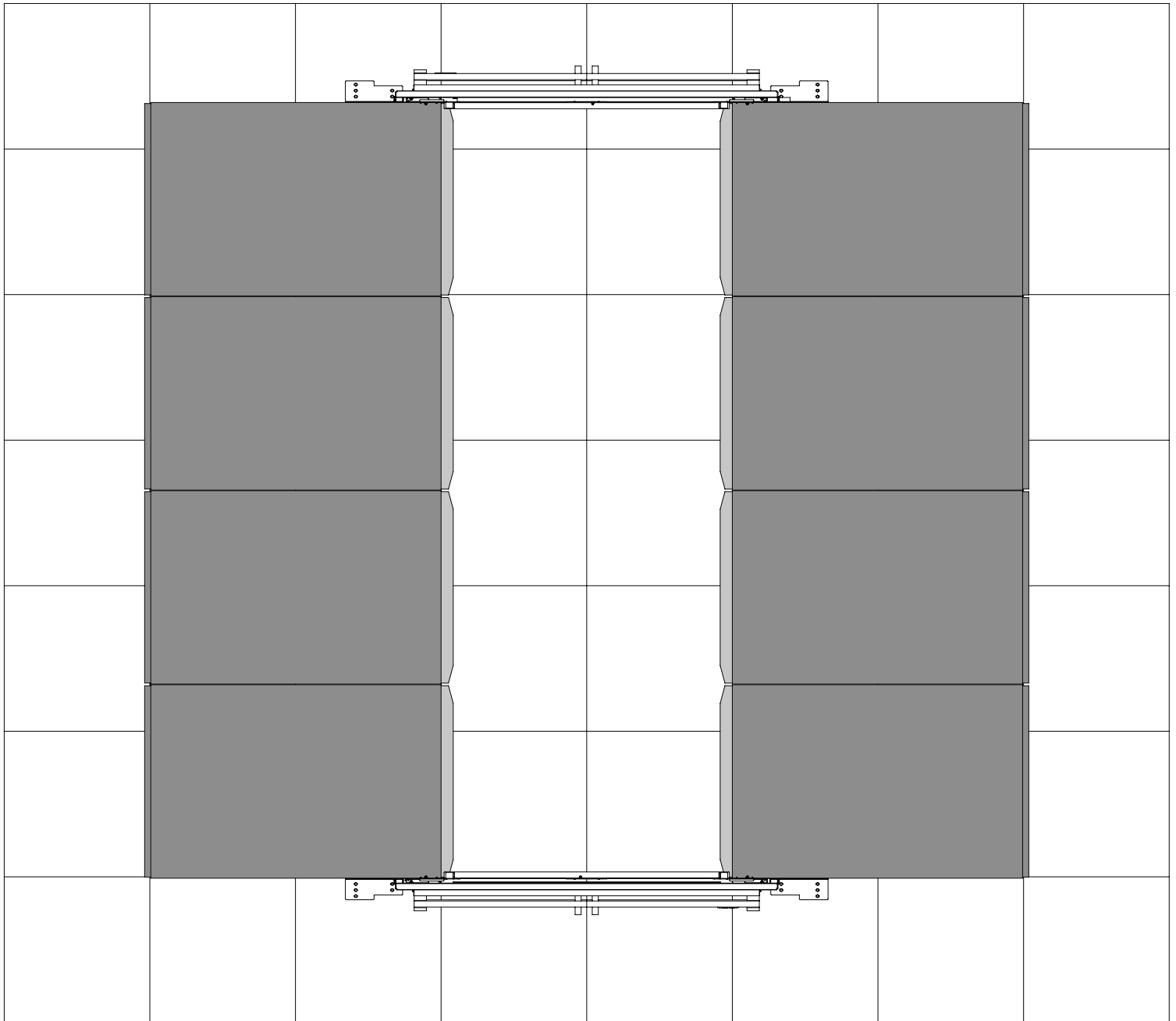
SECTION 6 **64**

Installation of Ceiling Structure

Initial Aisle Beam Installation.....	65
Aisle Beam Alignment	66
Additional Aisle Beam Installation.....	67
Ceiling Panel Stop Installation	68
Ceiling Support Bracket Installation.....	69
Ceiling Panel Installation	70
Attaching Wall Panel Cover (Wall Panel Covers from Section 4)	71

SECTION 1

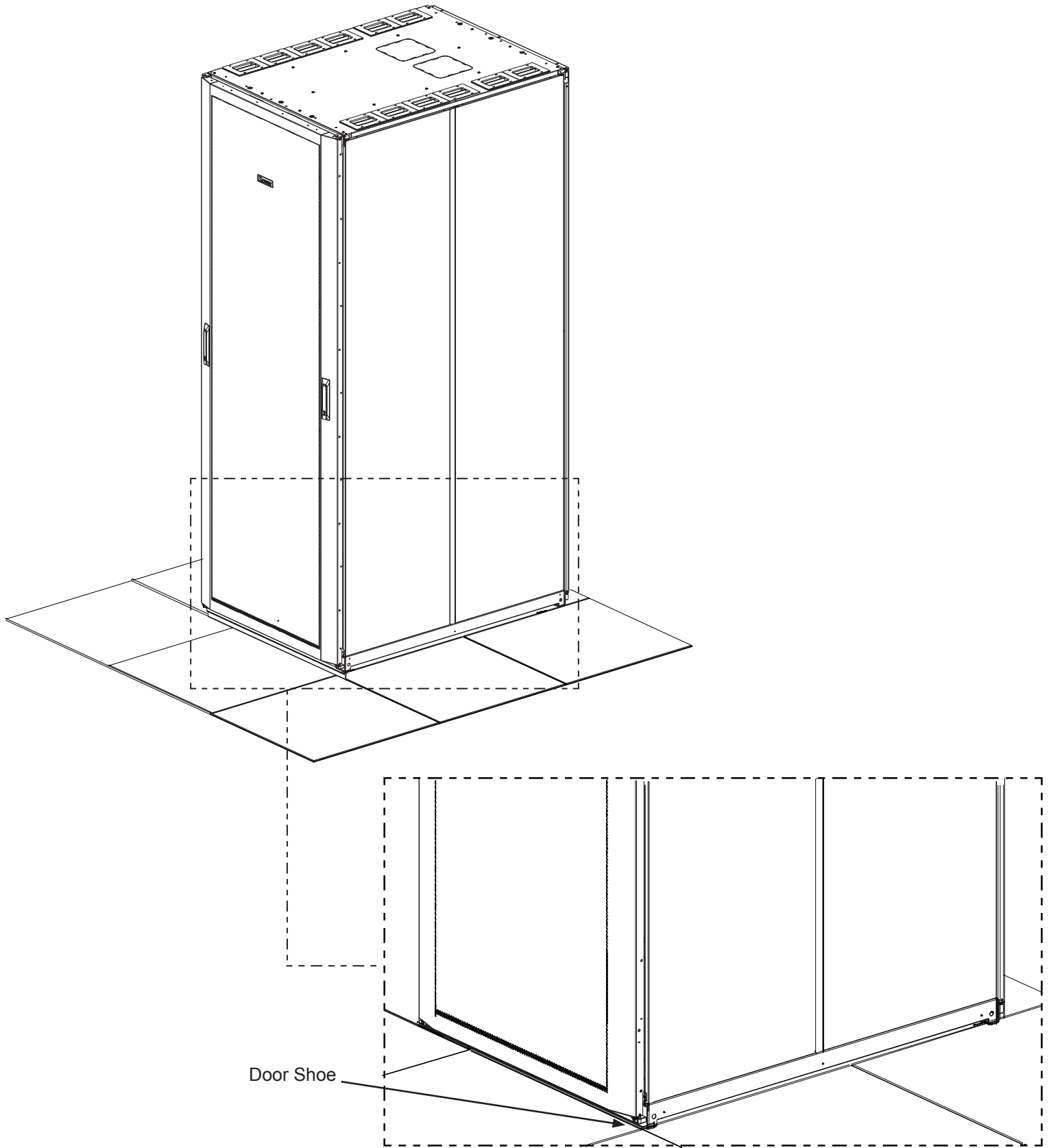
Floor Layouts for 4 Foot/ 1200mm Aisle Width Configurations



Top View
Typical 4 Foot/ 1200mm Aisle Width

Alignment of Cabinet on Raised Floor

- Position the first cabinet in the desired location.
- Align the front of the cabinet along the floor tile of the cold aisle. (or desired location)

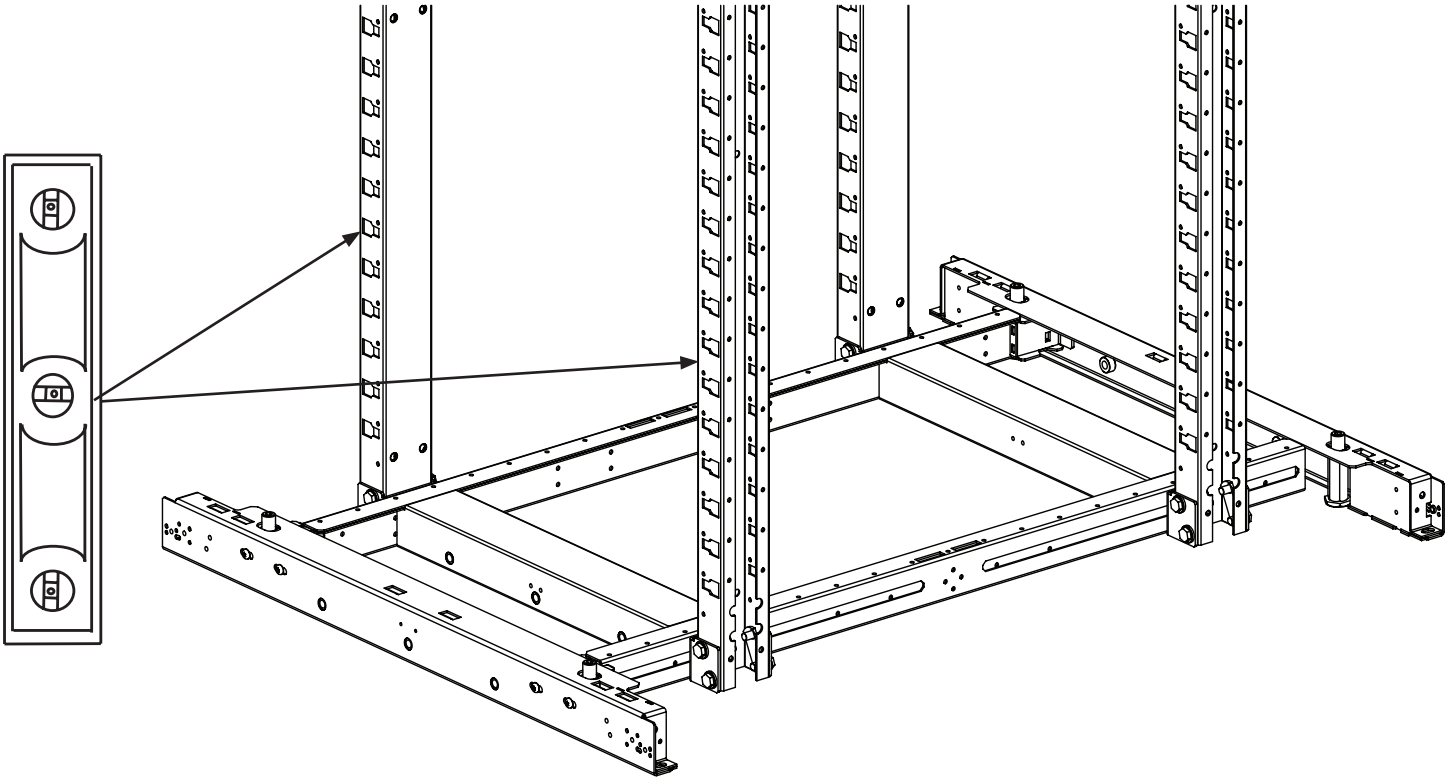


For Technical Support: www.panduit.com/resources/install_maintain.asp

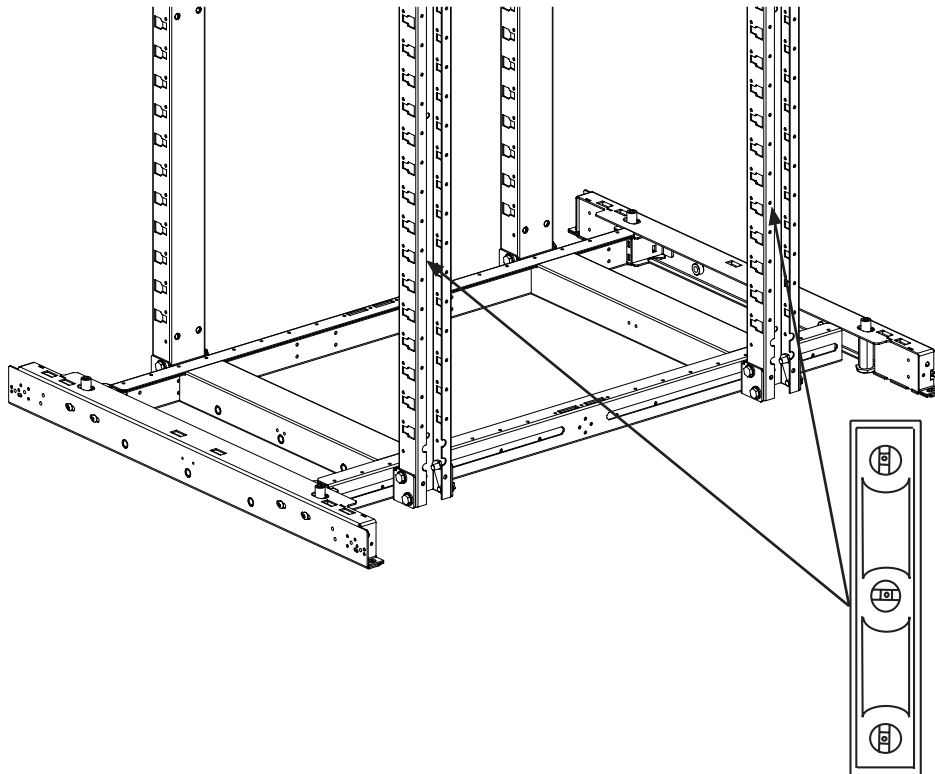
Leveling Cabinet

- Use a bubble level placed on the vertical rails in the locations shown. Adjust Legs until the cabinet is level
- Ensure that adjacent cabinets are adjusted to the same height, parallel with each other.

Front-to-Back Cabinet Leveling

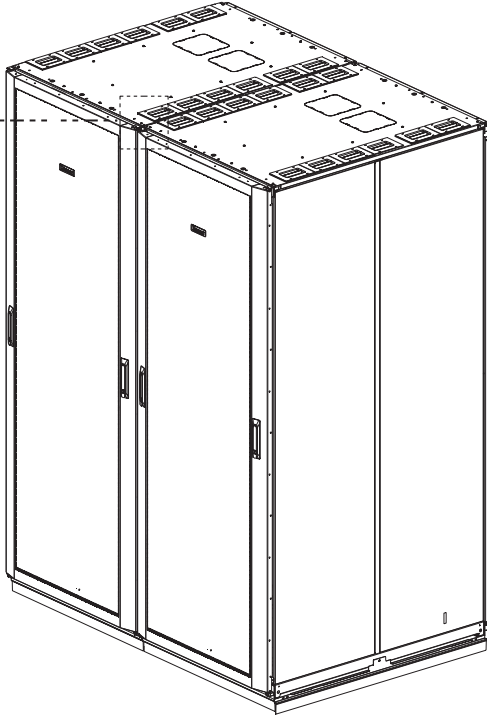


Side-to-Side Cabinet Leveling

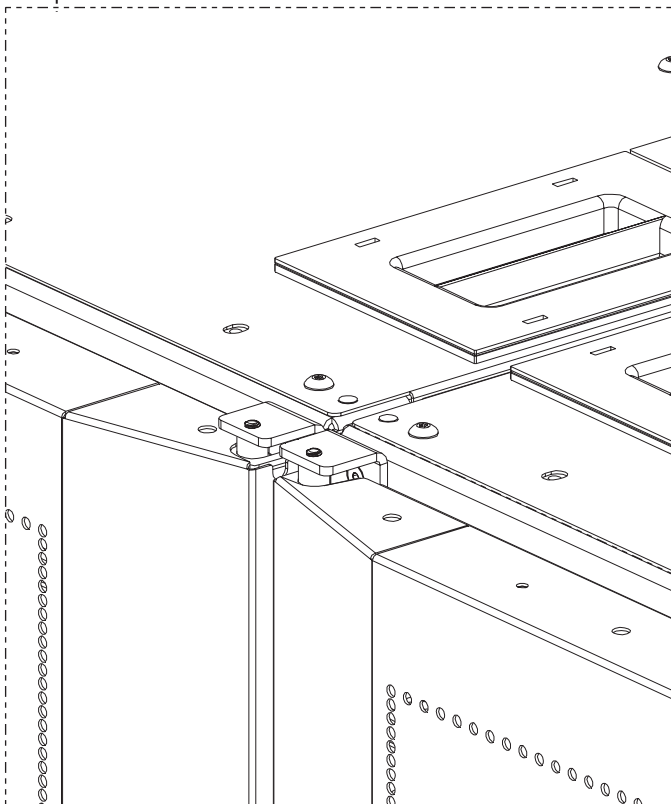


Aligning Rows of Cabinets

- Alignment will be important for overall install of Net-Contain.
- Place next cabinet in the row 1-2" from the first cabinet.
- Level cabinet front and back while keeping top and bottom in line with the previous cabinet.
- Once cabinet is leveled move cabinet over until flush with the first cabinet.
- Repeat process until all cabinets in the row are aligned.



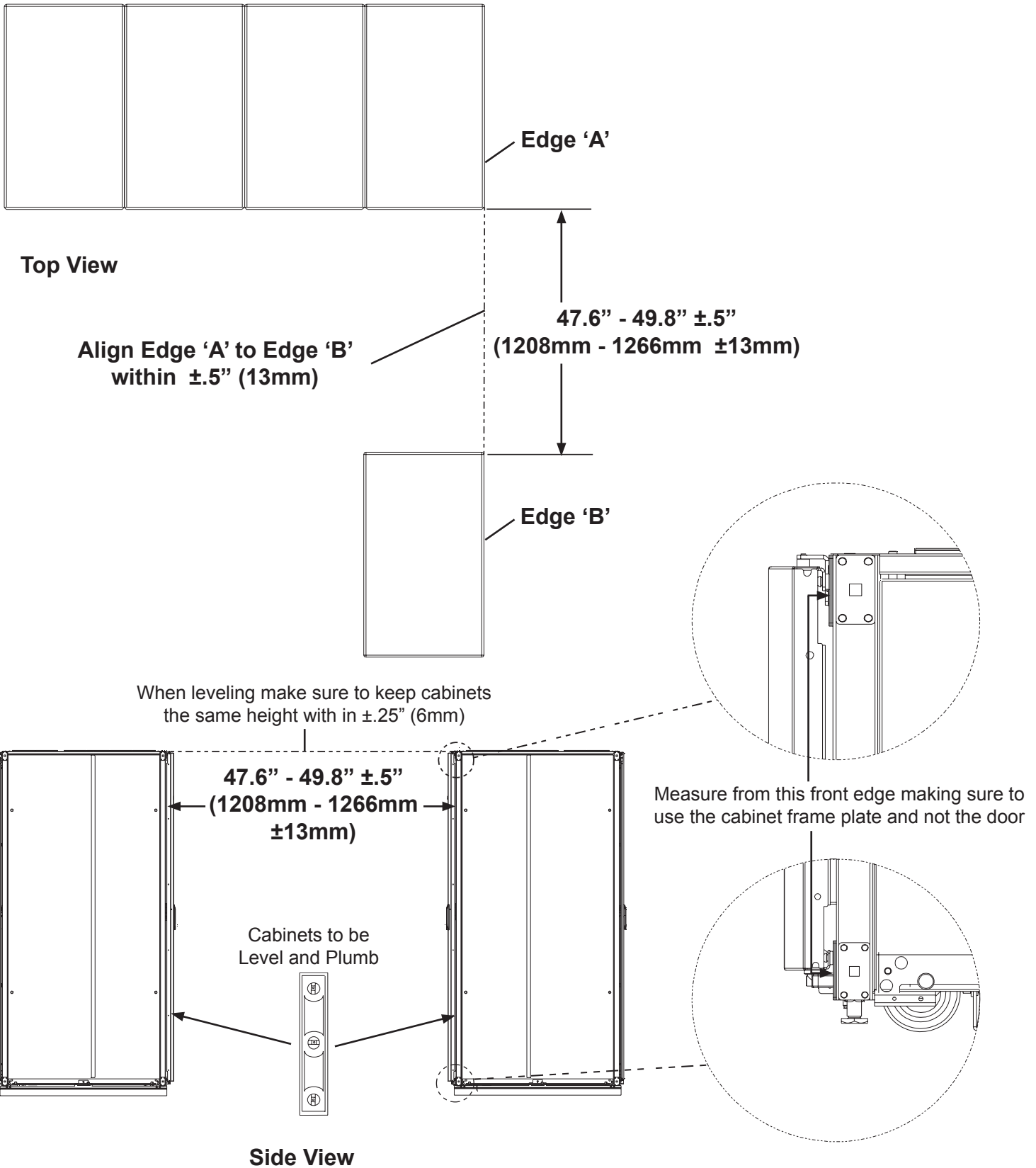
Note: Make sure top of cabinets are aligned after leveling and placement.



For Technical Support: www.panduit.com/resources/install_maintain.asp

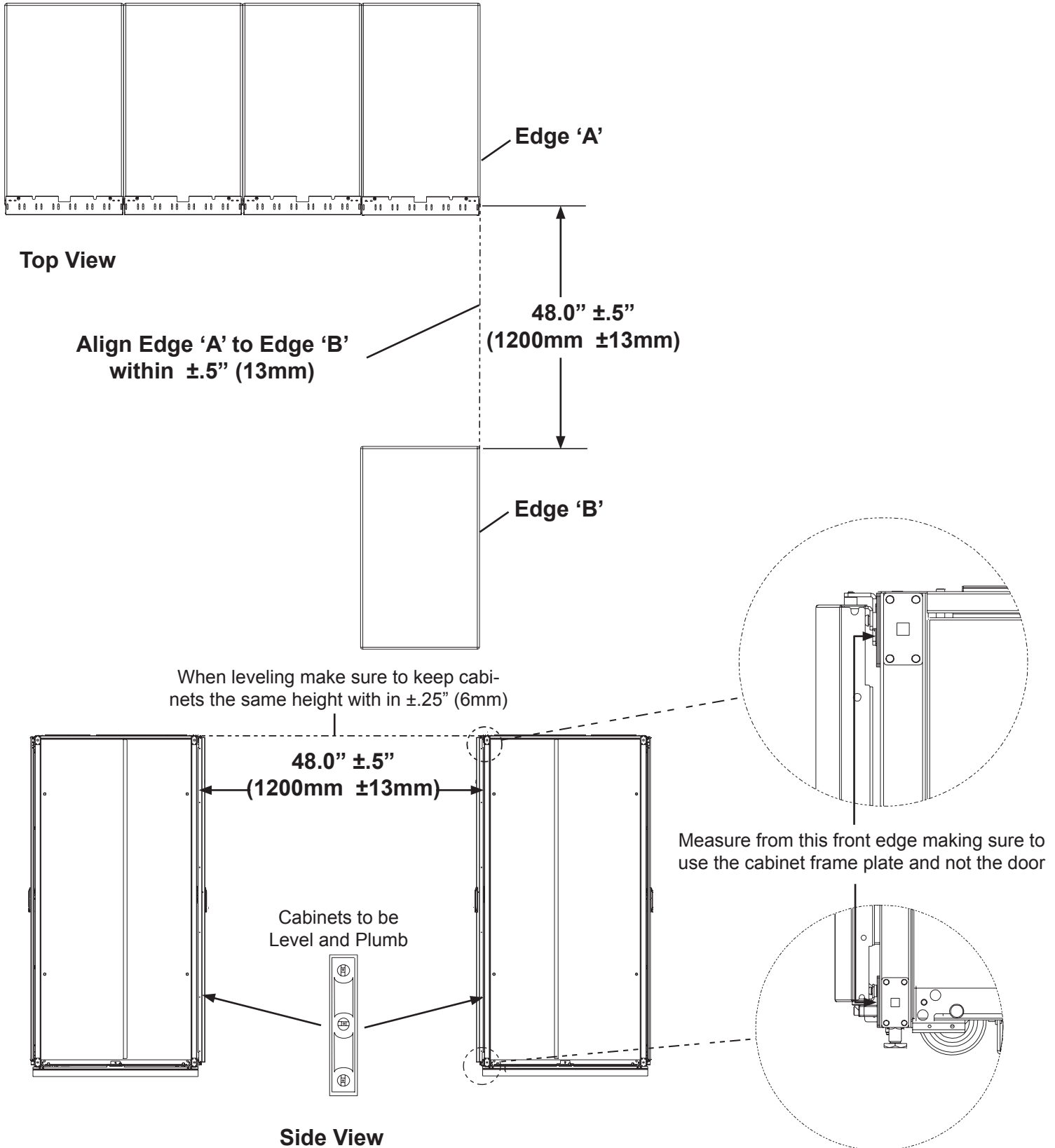
Spacing of 4 Foot/ 1200mm Aisle Width for Vertical Wall Applications

- Place opposing row of cabinet's $47.6'' - 49.8'' \pm .5''$ or $1208\text{mm} - 1266\text{mm} \pm 13\text{mm}$ across from the first row.
- Align edge A and edge B within $\pm .5''$ (13mm).
- Note: When aligning and leveling cabinets make sure to keep cabinets the same height within $\pm 6\text{mm}$ (.25").



Spacing of 4 Foot/ 1200mm Aisle Width for Roofing application

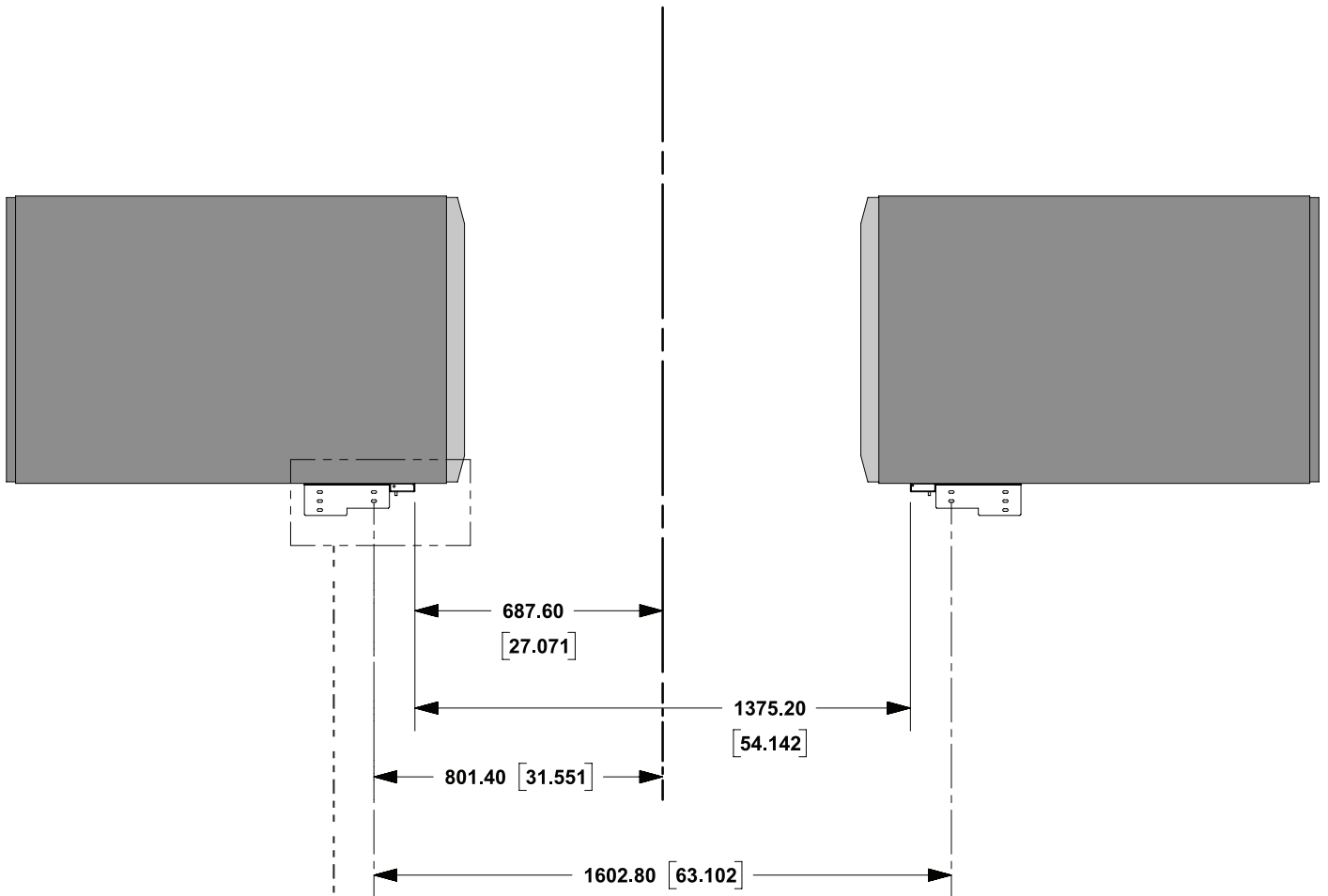
- Place opposing row of cabinet's $48.0'' \pm .5''$ or $1200\text{mm} \pm 13\text{mm}$ across from the first row.
- Align edge A and edge B within $\pm .5''$ (13mm).
- Note: When aligning and leveling cabinets make sure to keep cabinets the same height within $\pm 6\text{mm}$ (.25").



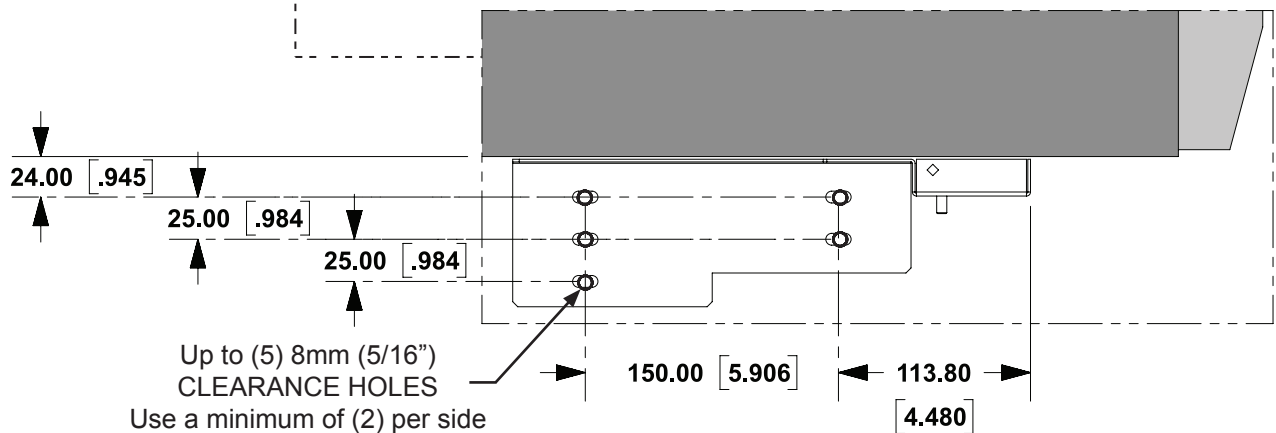
Floor Layout for Installing Door Adapters

- Drill up to ten 8mm (5/16") Clearance holes thru floor tiles in locations shown for attaching the feet of the Door Adapter.
- Need to use a minimum of two screws per foot when securing the feet to the floor.

Typical layout between Door Adapter Feet



Drill layout for Floor



SECTION 2

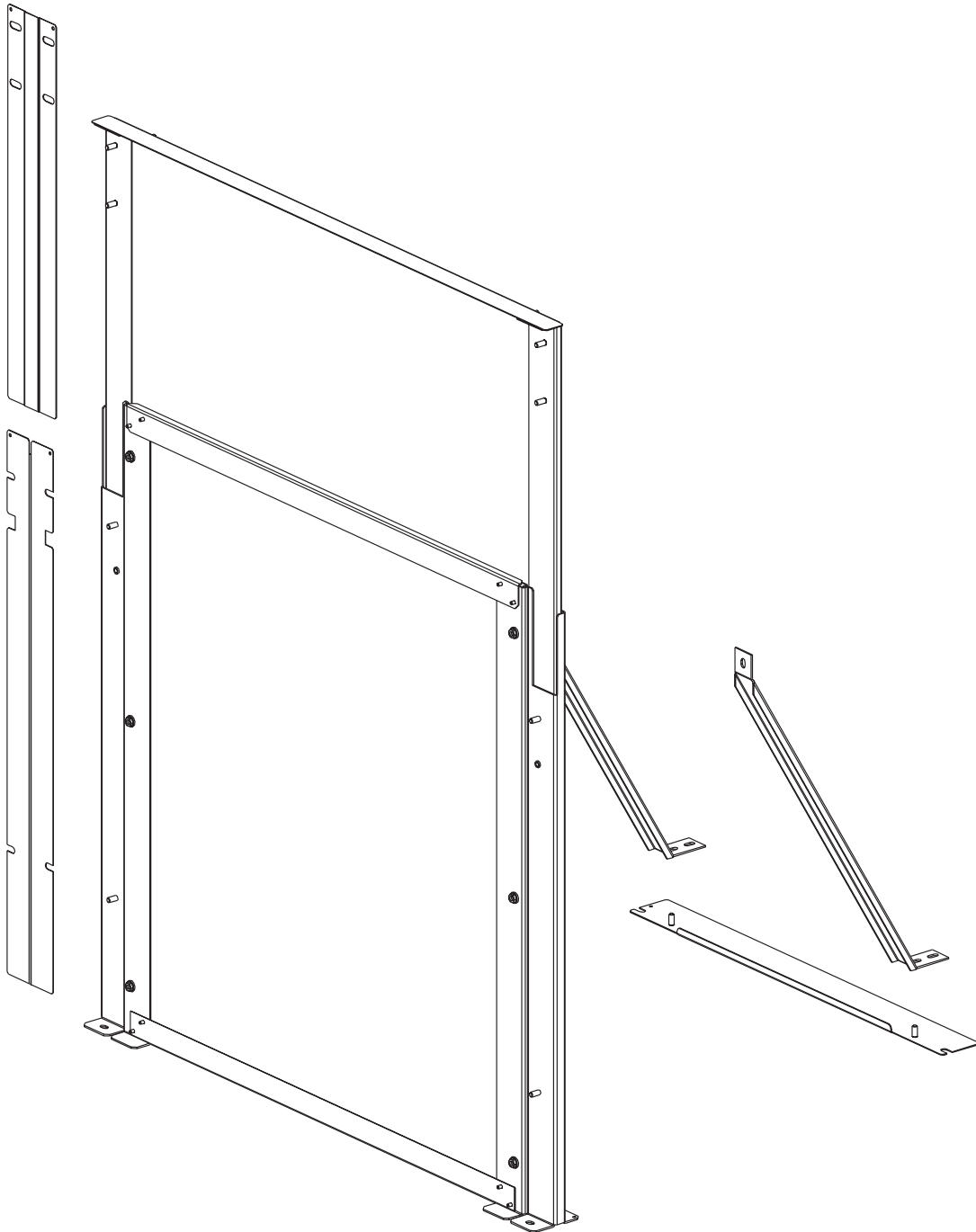
INSTALLATION OF CABINET VERTICAL WALL

Part Number(s)

C2HAC06I****

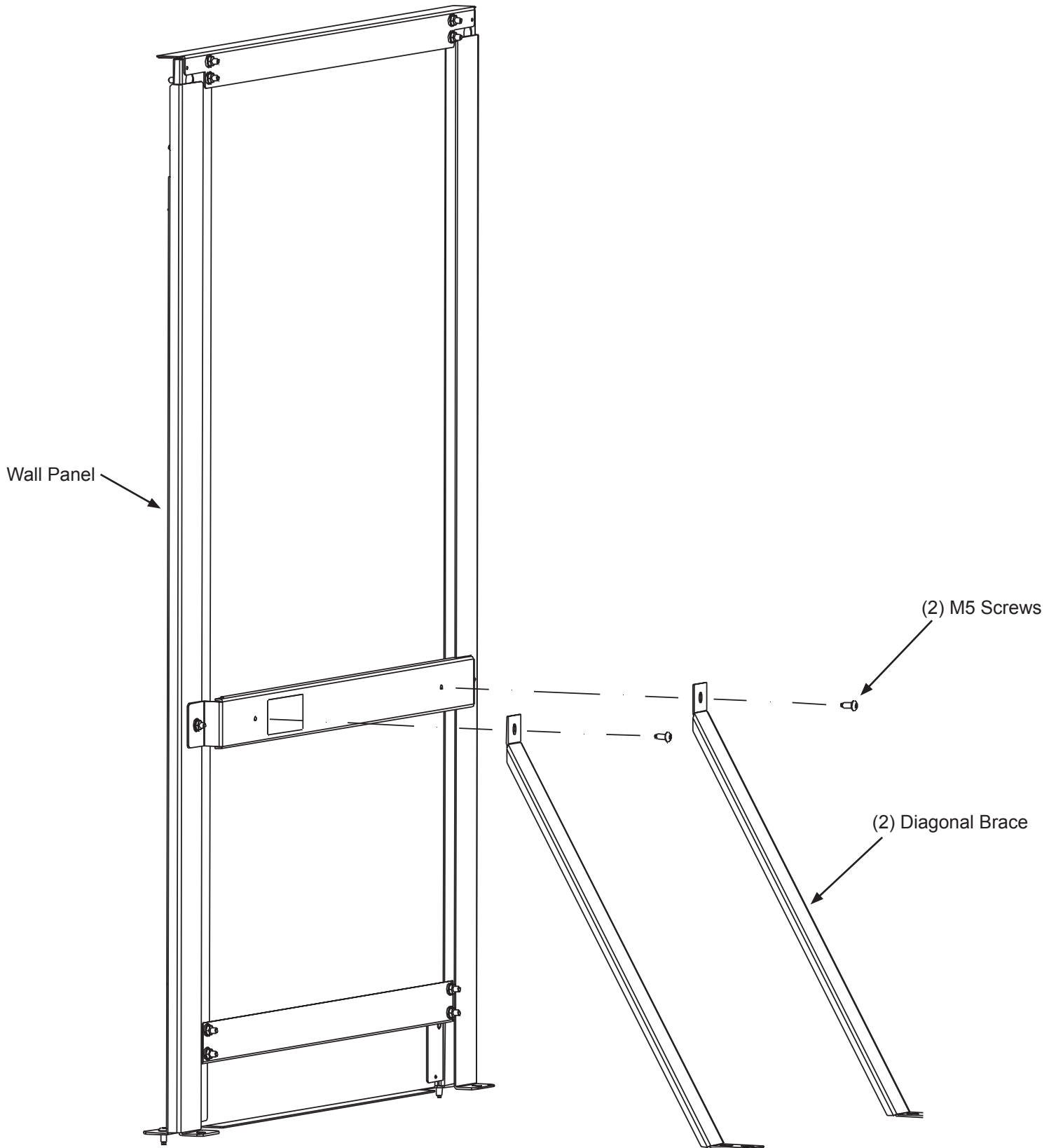
C2HAC07I****

C2HAC08I****



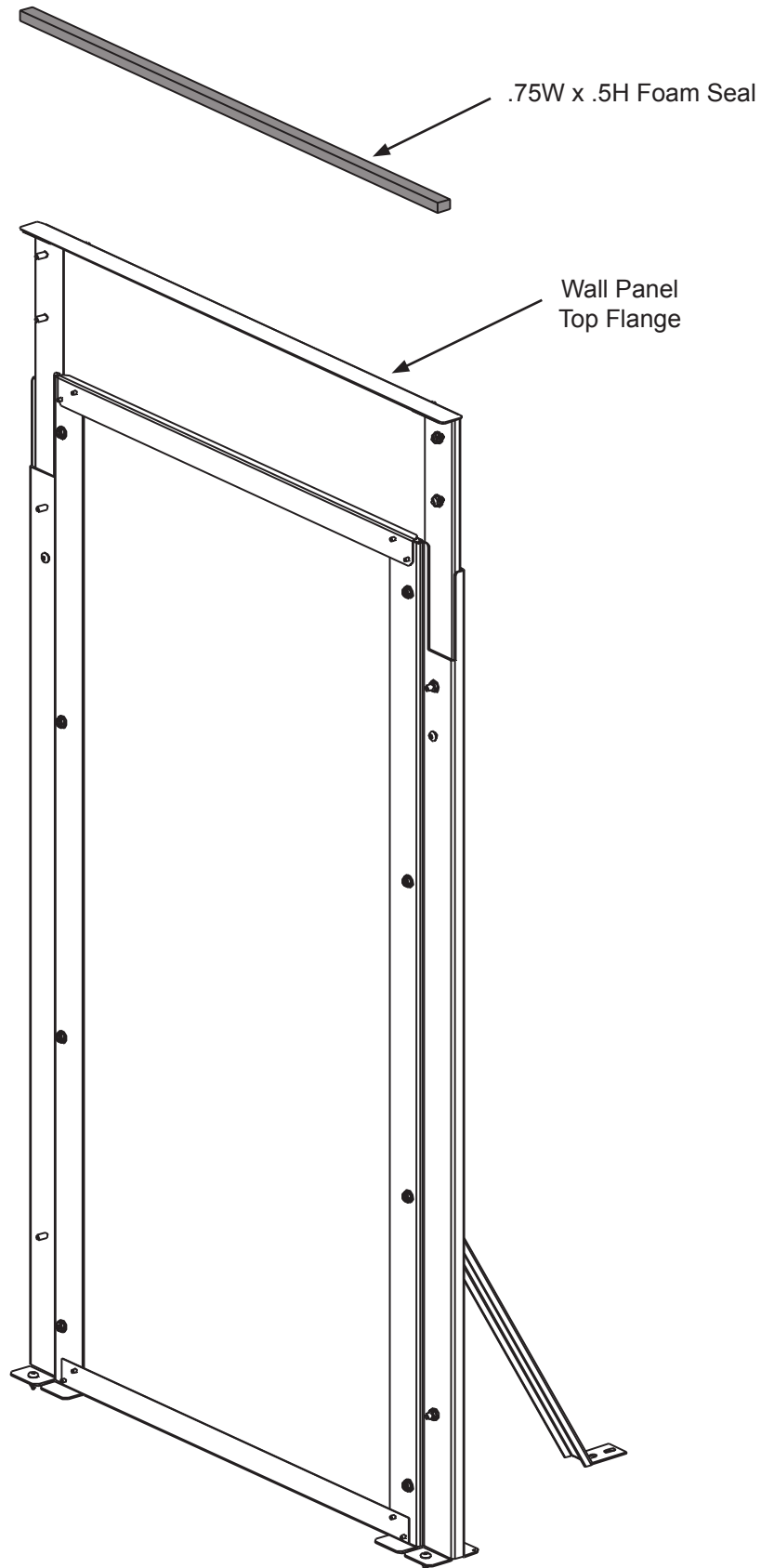
Attaching Diagonal Brace to Wall Panel

- Attach (2) wall panel braces to the back of the wall panel with (2) M5 screws.



Apply Foam Seal to Wall Panel

- Cut (1) strip of foam seal to the width of the top of the wall panel.
- Apply foam seal to the top flange of the wall panel.



Attaching Brace Bar to Cabinet (Only for 600mm and 700mm Wide Cabinets)

- Attach the brace bar to the top of the cabinet using (2) M5 screws.

NOTE:

For 1070mm Deep Cabinet Flange on Brace Bar Should be Facing Rear of Cabinet.

For 1200mm Deep Cabinet Flange on Brace Bar Should be Facing Front of Cabinet.

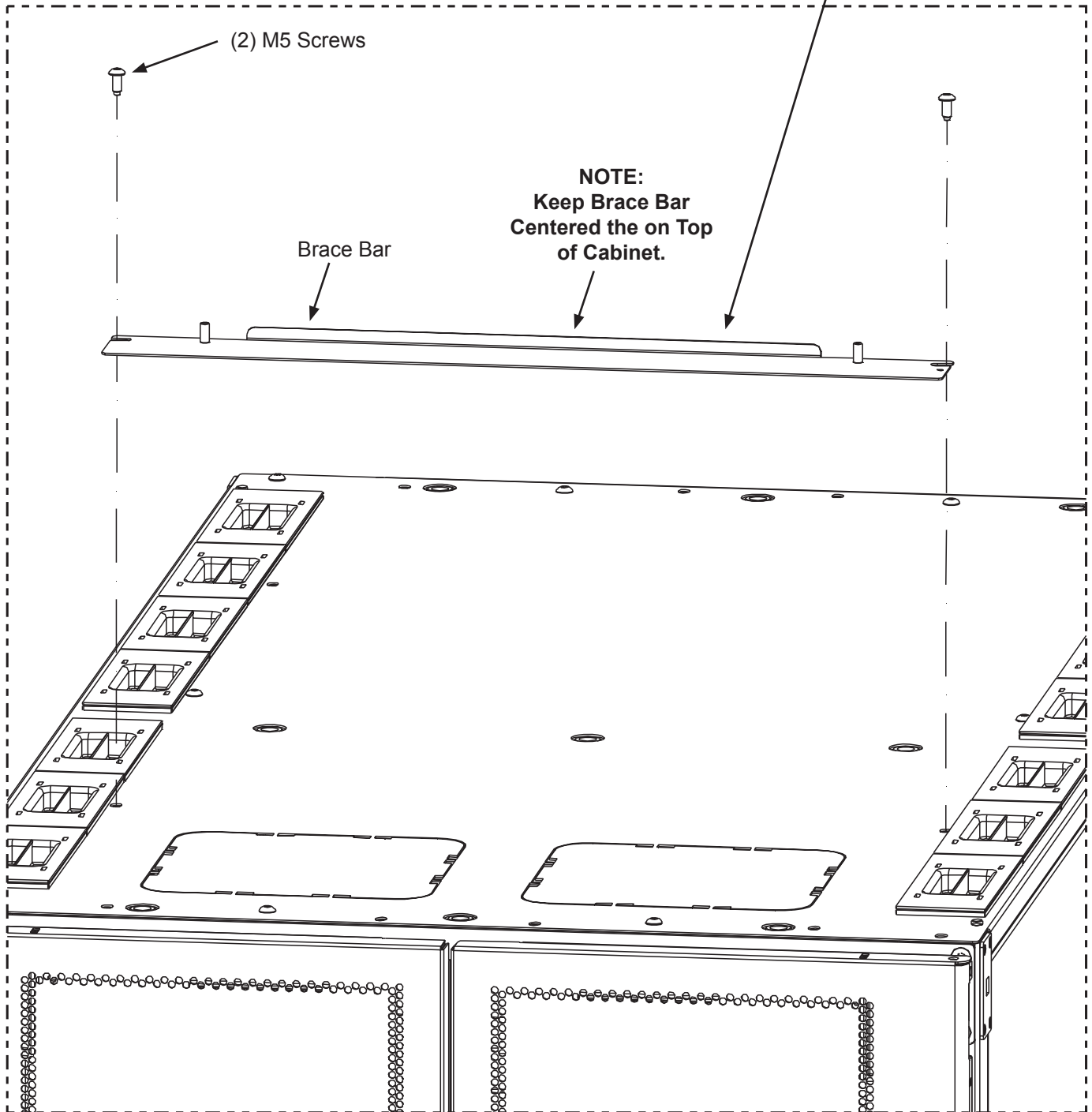
NOTE:

Keep Brace Bar Centered the on Top of Cabinet.

NOTE:

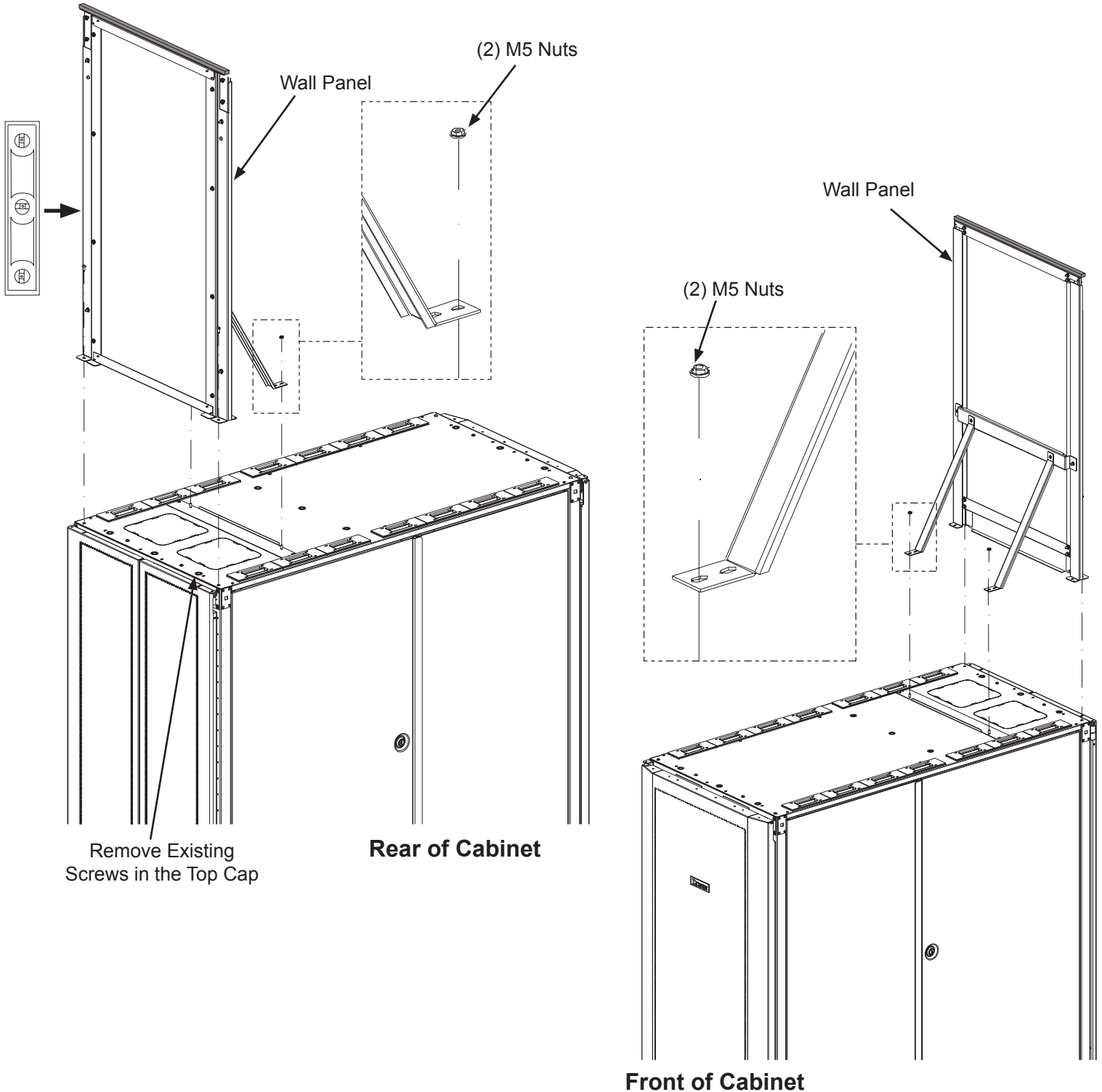
For 1070mm Deep Cabinet Flange on Brace Bar Should be Facing Rear of Cabinet.

For 1200mm Deep Cabinet Flange on Brace Bar Should be Facing Front of Cabinet.



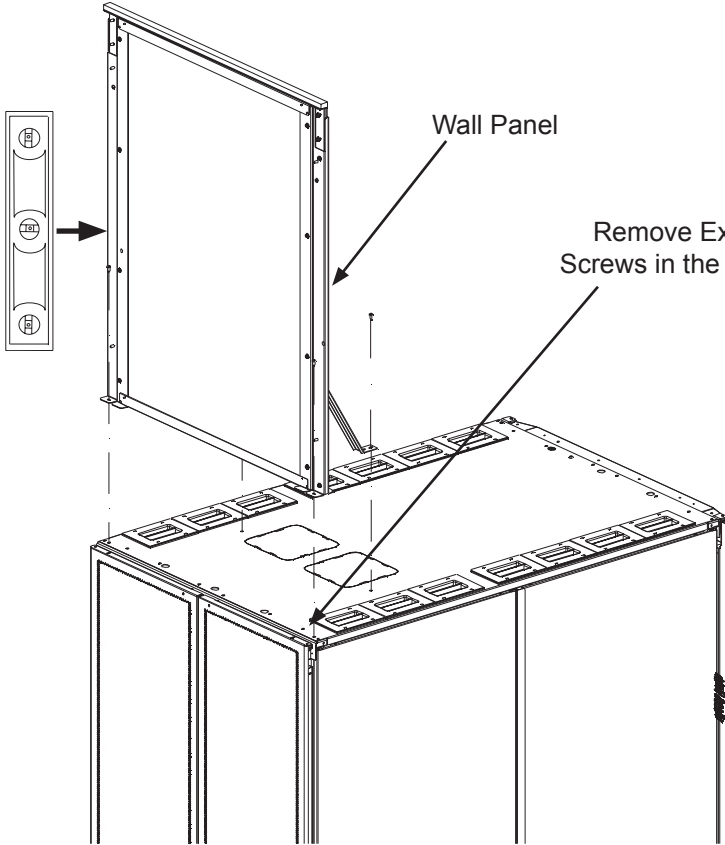
Attaching Wall Panel to Cabinet (For 600mm and 700mm Cabinets)

- Remove (2) existing M5 screws in the top cap.
- With the wall panel facing the rear of the cabinet (Hot Aisle) secure to the top of the cabinet with the (2) M5 screws that were removed.
- Level wall panel by placing a level on the section of the wall panel facing the rear of the cabinet (Hot Aisle) and making sure that the wall panel is not leaning forward or backwards.
- Secure (2) diagonal braces to the wall panel support with (2) M5 nuts.

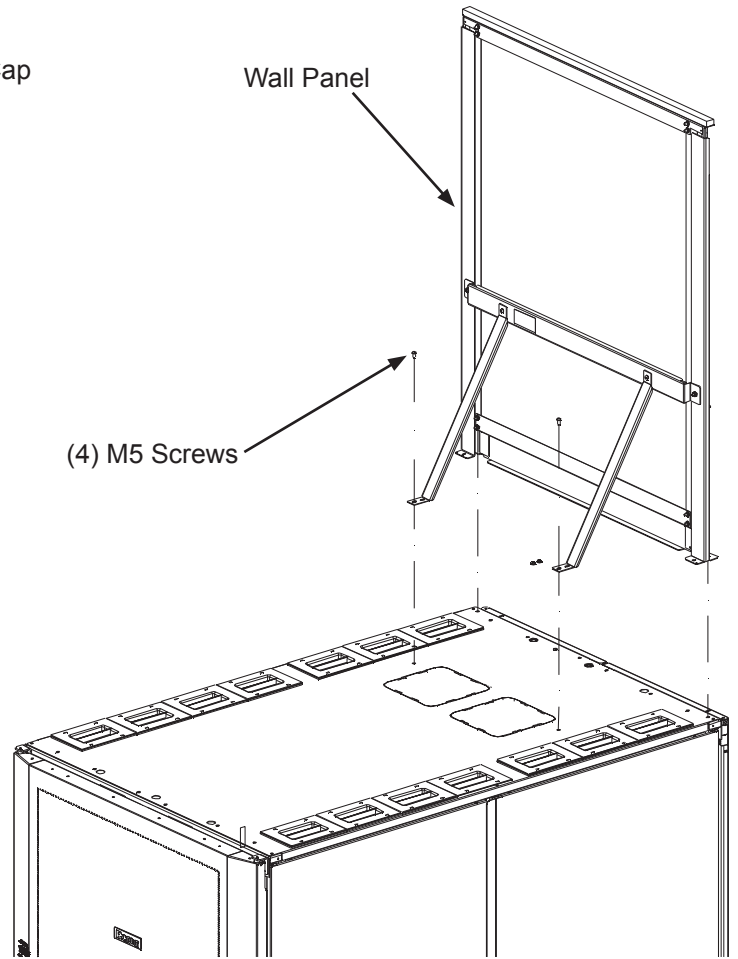


Attaching Wall Panel to Cabinet (For 800mm Cabinets)

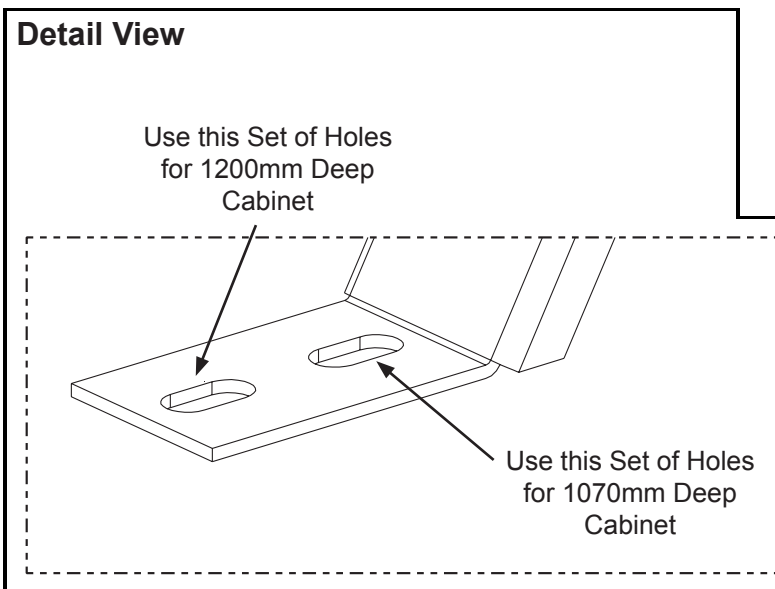
- Remove (2) existing M5 screws in the top cap.
- With the wall panel facing the rear of the cabinet (Hot Aisle) secure to the top of the cabinet with the (2) M5 screws that were removed to the front of the wall panel and an additional (2) M5 screws to fasten the wall panel braces to the cabinet.
- Note: See detail view for which set of holes in diagonal brace to use when attaching to the cabinet.



Rear of Cabinet



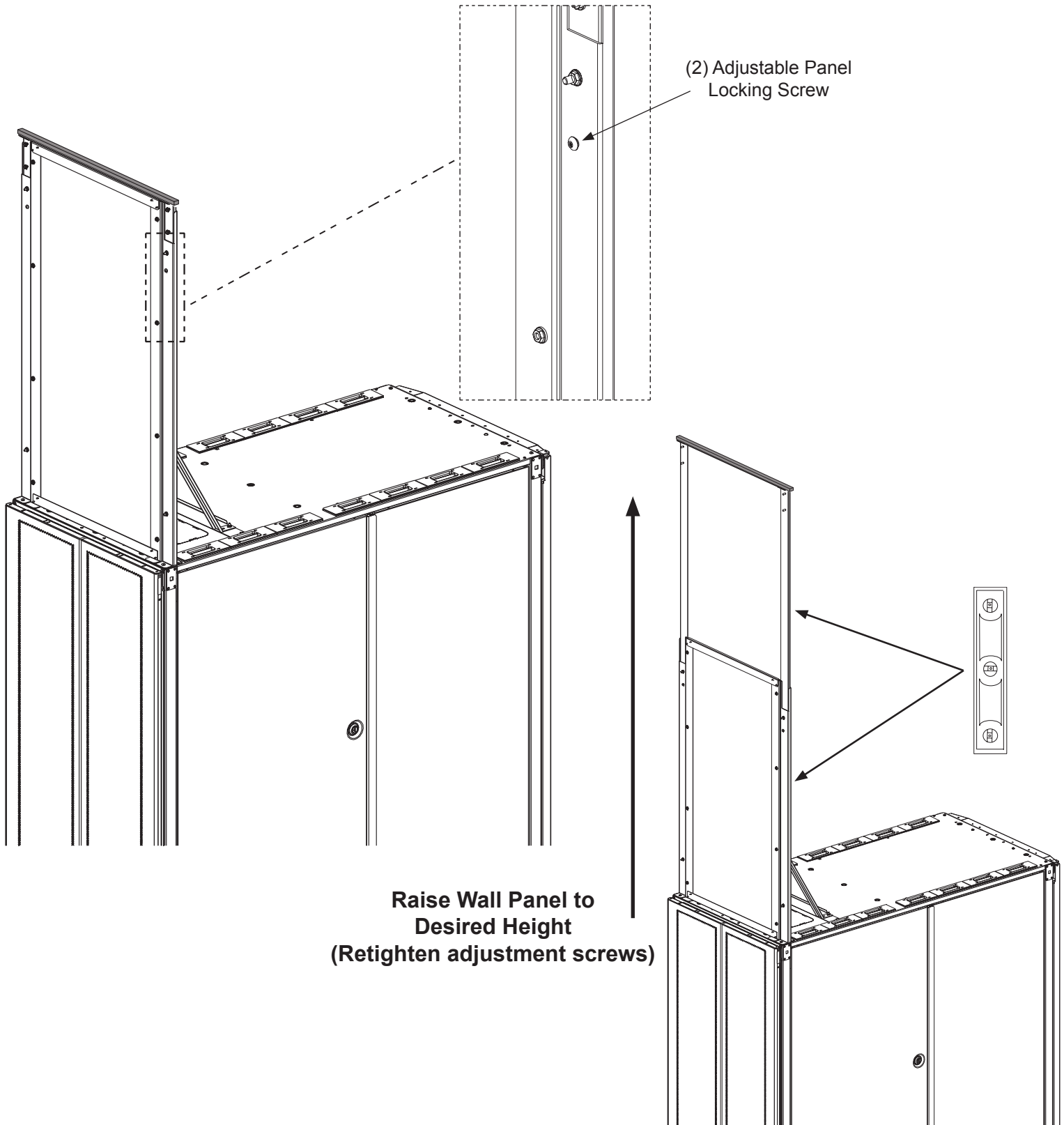
Front of Cabinet



For Technical Support: www.panduit.com/resources/install_maintain.asp

Setting Wall Panel Height

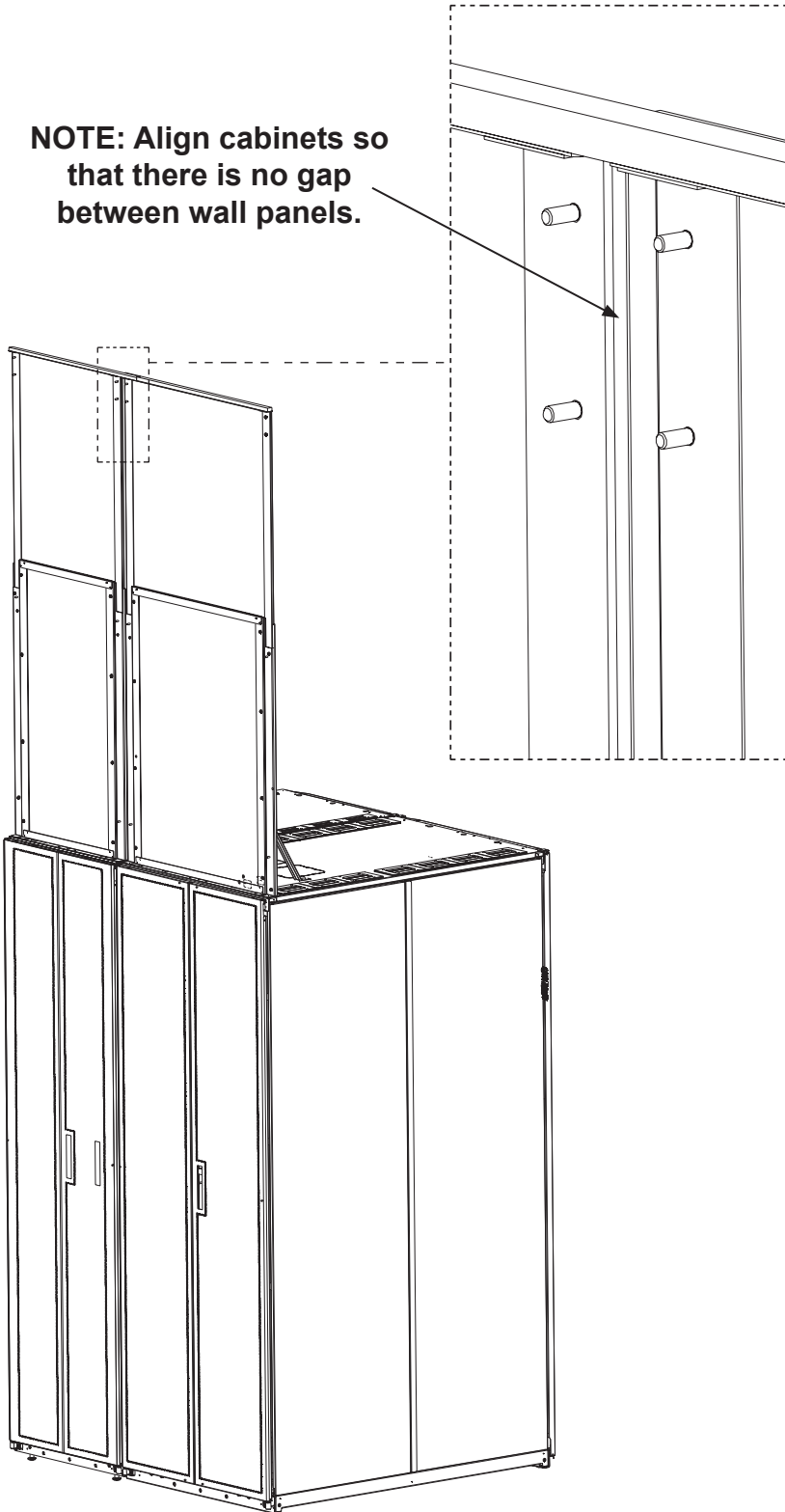
- Once wall panel is secured to cabinet, raise wall panel to desired height.
- Loosely, install the (2) adjustment screws on the front of the wall panel.
- Level relative to lower wall.
- Tighten adjustment screws to secure wall panel to desired height.



Aligning Rows of Cabinets

- Alignment will be important for overall install of Net-Contain.
- Place next cabinet in the row 1-2" from the first cabinet.
- Level cabinet front and back while keeping top and bottom in line with the previous cabinet and vertical wall.
- Once cabinet is leveled move cabinet over until flush with the first cabinet and vertical wall.
- Repeat process until all cabinets in the row are aligned.

NOTE: Align cabinets so that there is no gap between wall panels.

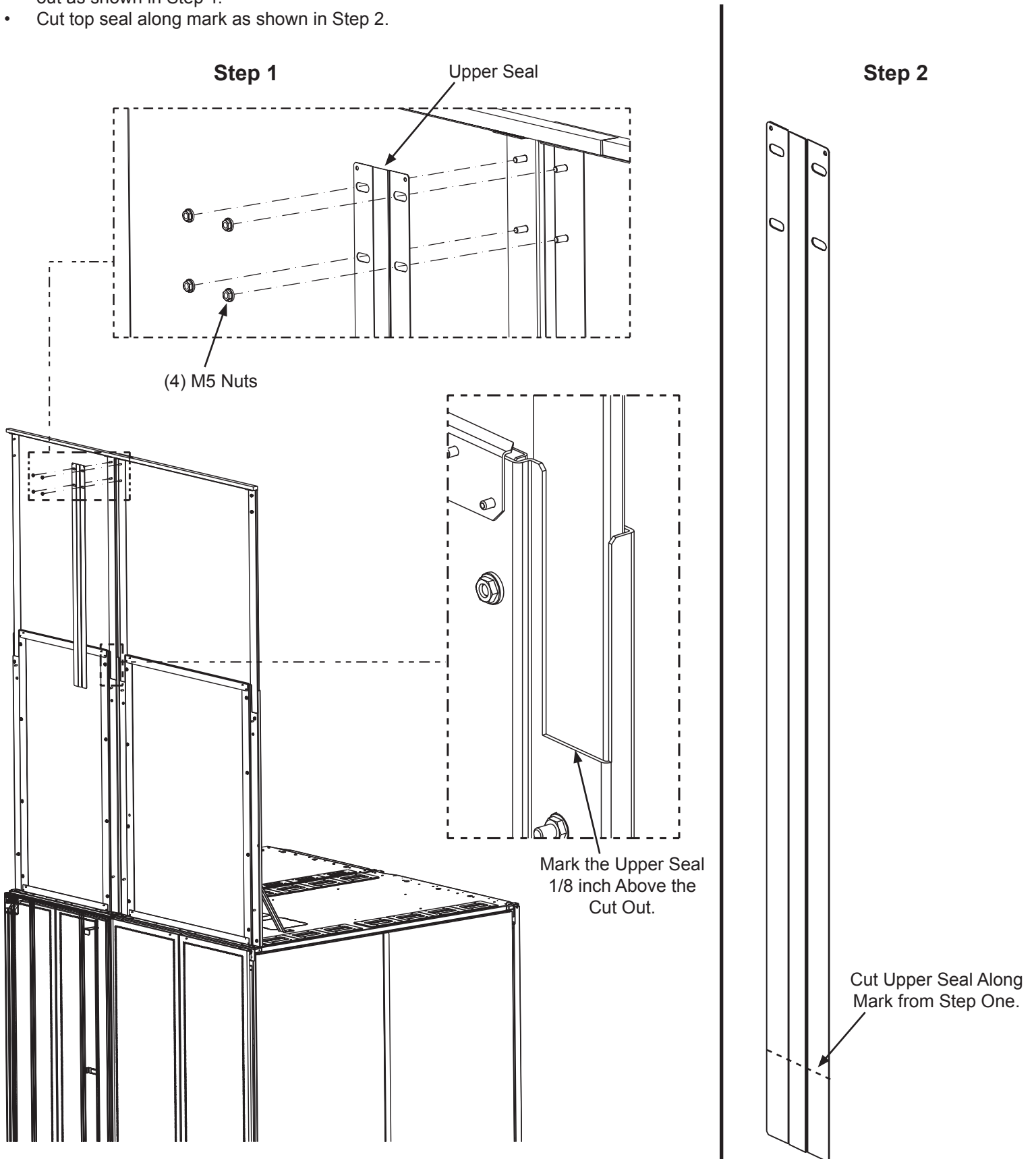


Note: Make sure top of cabinets are aligned after leveling and placement.



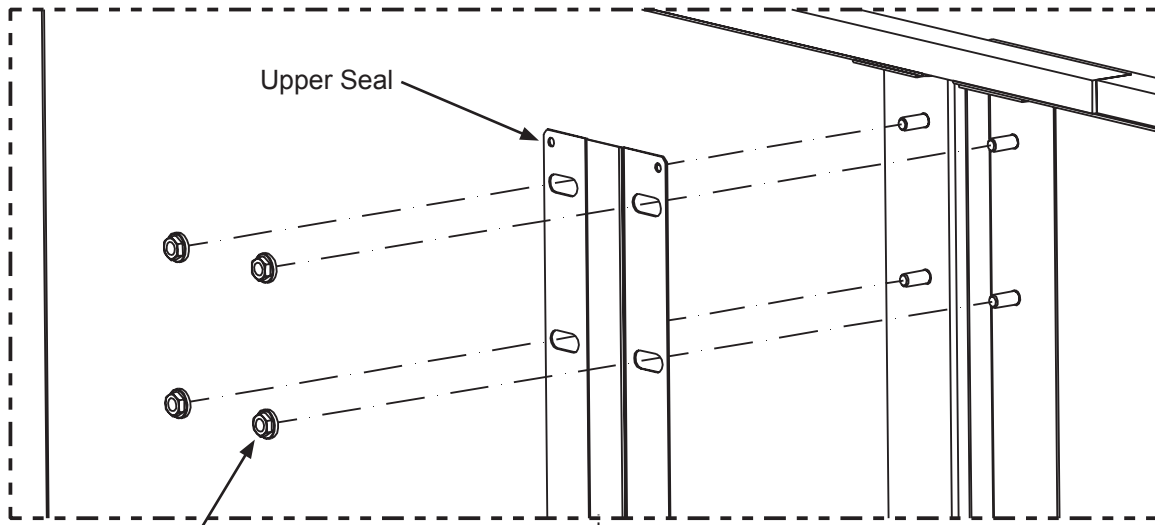
Sizing Upper Seal

- With wall panel in raised position, attach the upper seal to the wall panel with (4) M5 nuts and mark 1/8 inch above the cut out as shown in Step 1.
- Cut top seal along mark as shown in Step 2.

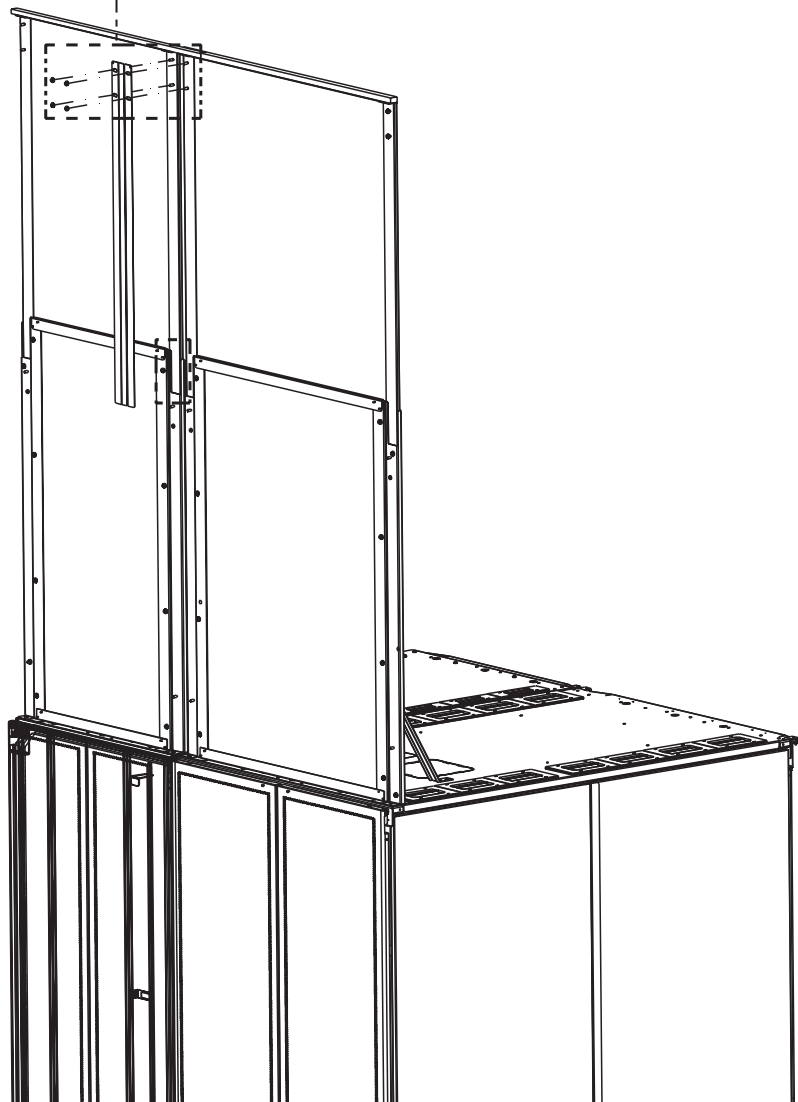


Attaching Upper Seal

- Attach the top seal in between (2) wall panels with (4) M5 nuts.

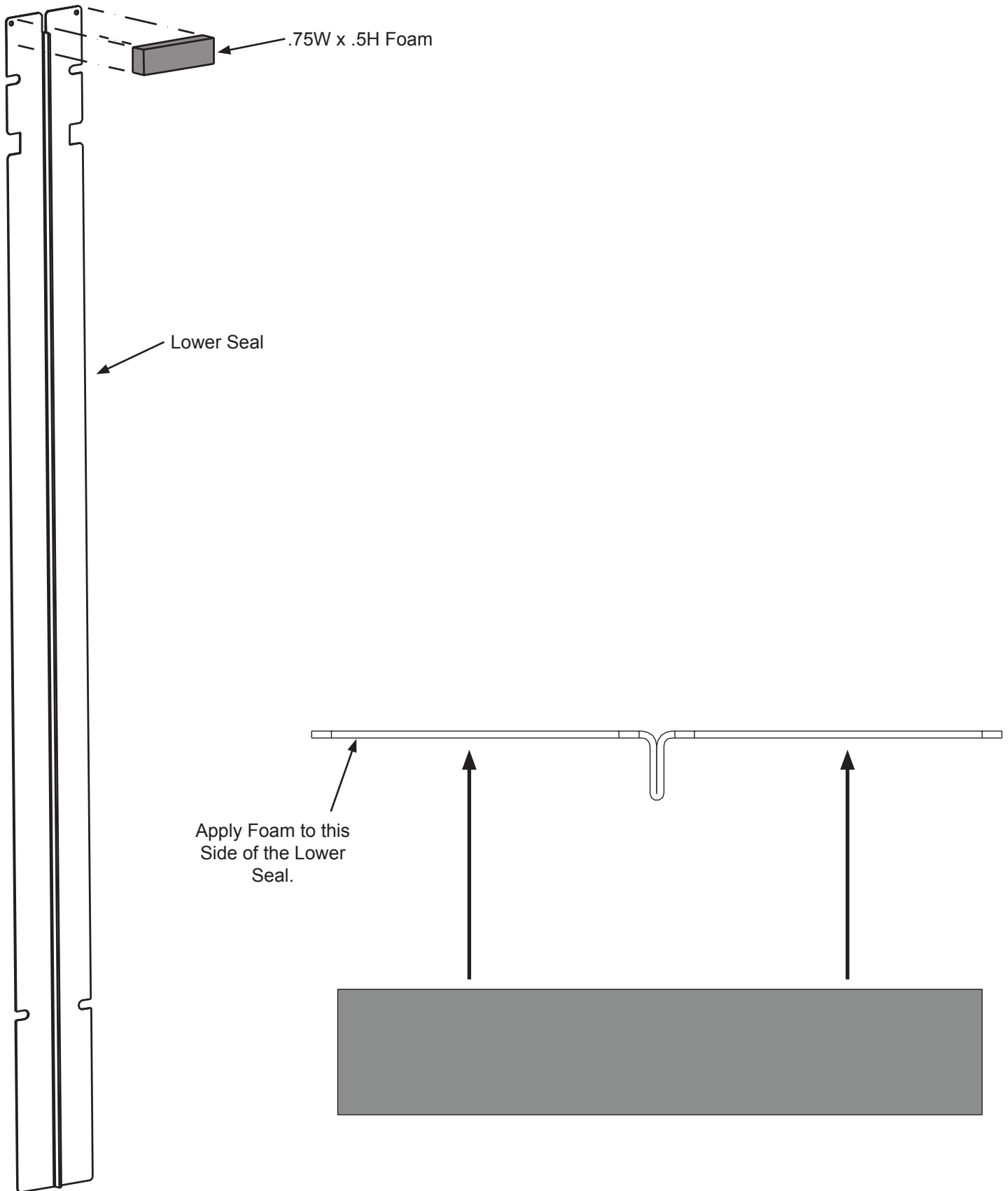


(4) M5 Nuts



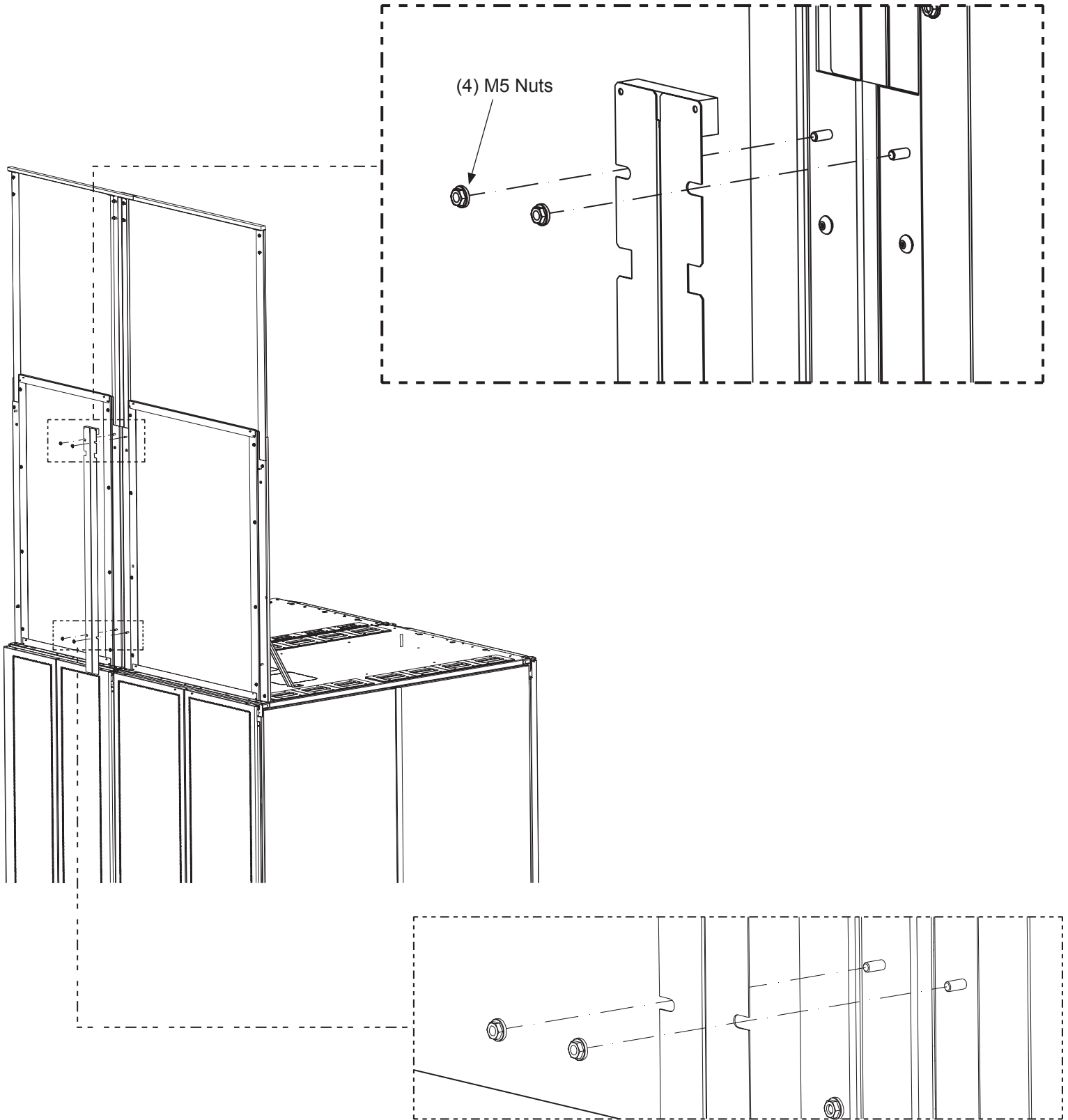
Attaching Foam to Lower Seal

- Attach the provided strip of .75W x .5H foam seal to the width of the bottom seal.



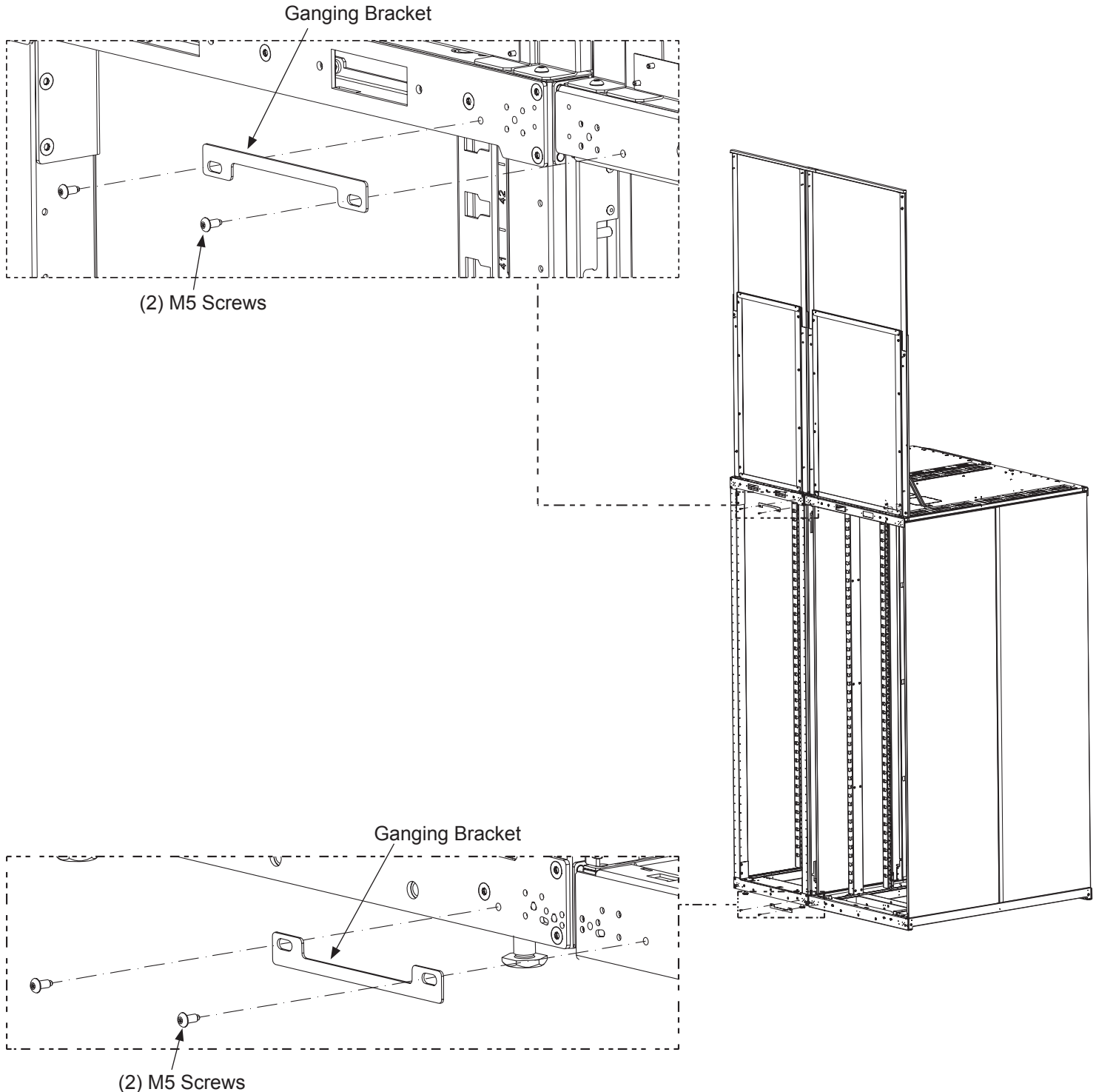
Attaching Lower Seal

- Using (4) M5 nuts, attach bottom seal with foam strip in between (2) wall panels.



Ganging Cabinets

- Using (2) M5 screws attach a ganging bracket to the top of the rear of the cabinet.
- Using (2) M5 screws attach a ganging bracket to the bottom of the rear of the cabinet.
- Repeat process for the front of the cabinet.
- Once all cabinets have been ganged Panduit recommends attaching floor seal kits (C2FAB**A1200B1) to each cabinet.



SECTION 3

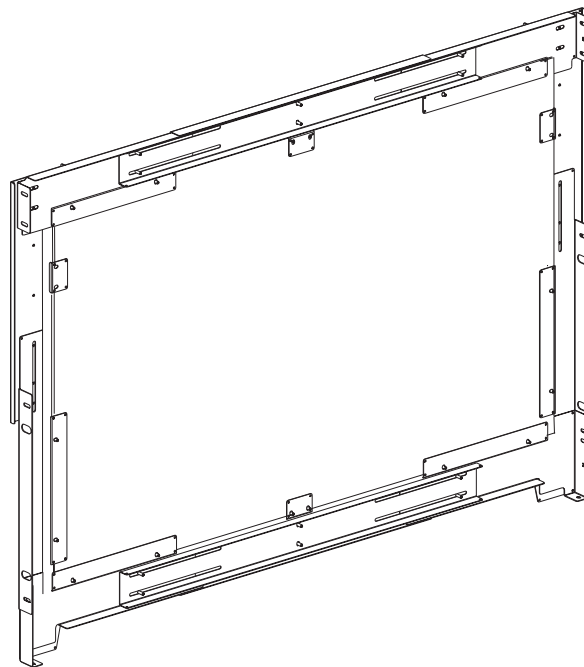
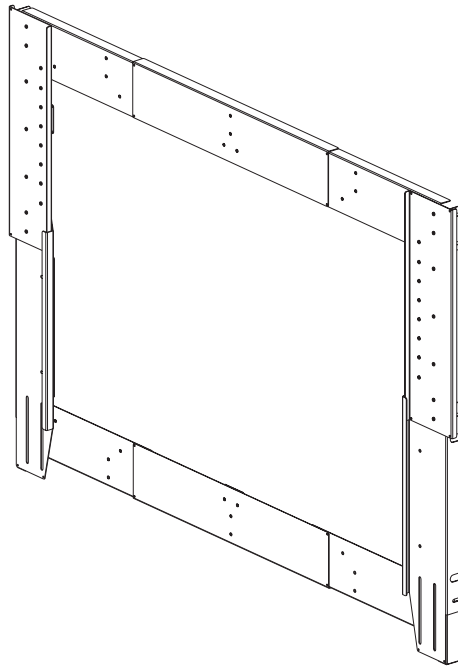
INSTALLATION OF END OF ROW VERTICAL WALL

Part Number(s)

C2HACER11626**

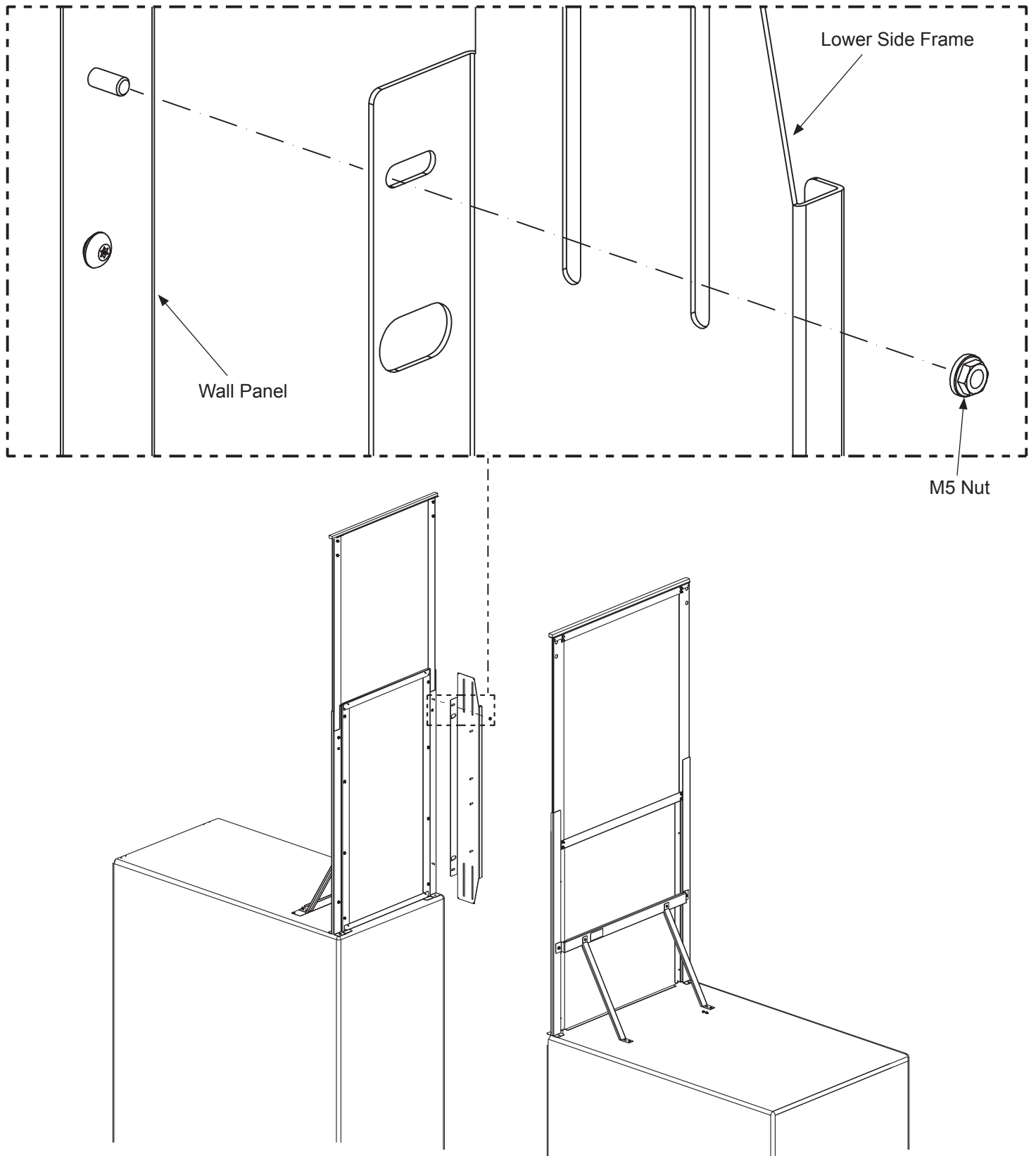
C2HACER12638**

C2HACER13866**



Attaching Lower Side Frame

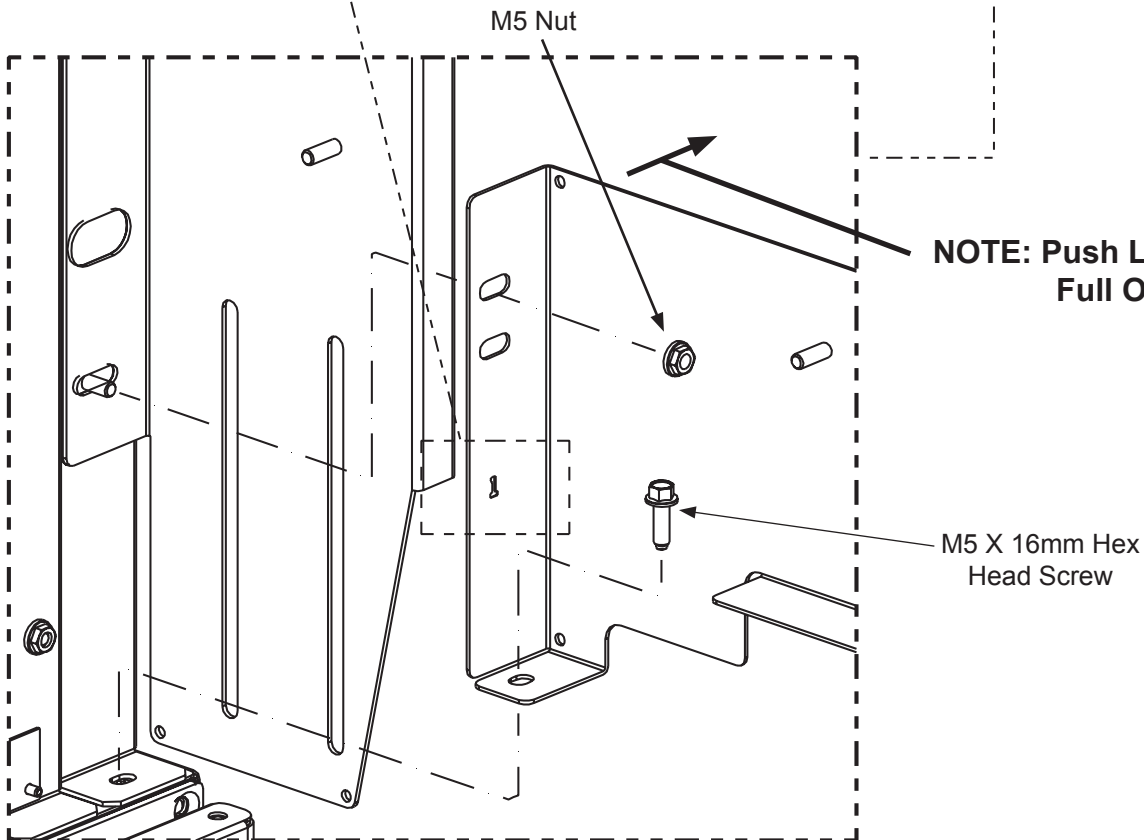
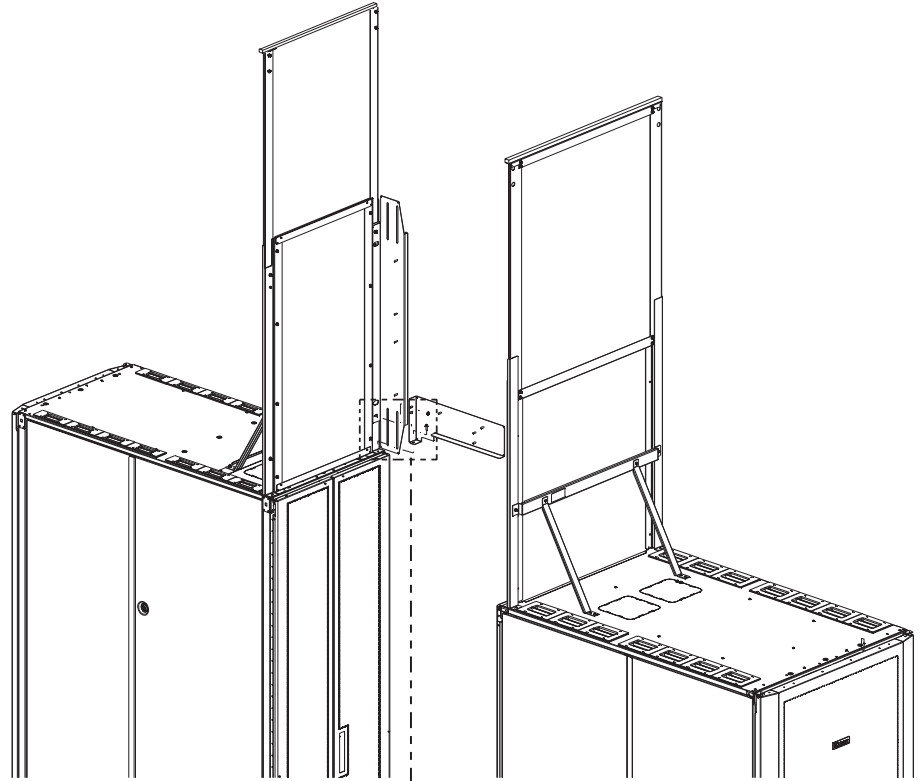
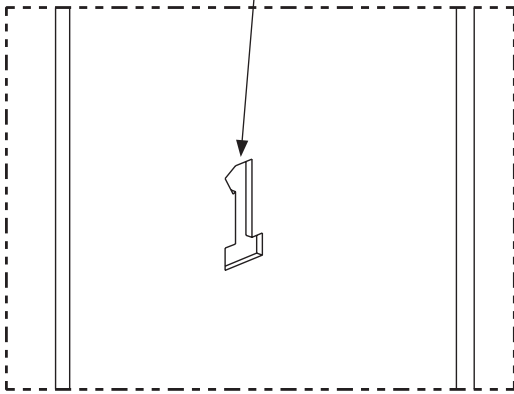
- Attach lower side frame to the right wall panel with (1) M5 nut.
- Repeat process for left side.



Attaching Lower Cross Beams

- Attach lower right cross beam to the bottom of the right wall panel with (1) M5 nut.
- Secure Lower Right Cross Beam to the top of the cabinet by removing the existing M5 button head screw, then installing (1) M5 x 16mm hex head screw thru the Lower Right Cross Beam.
- Repeat process for left side.

NOTE: Lower Right Cross Beam has a 1 Imprinted on it. (Left Side has a 2)

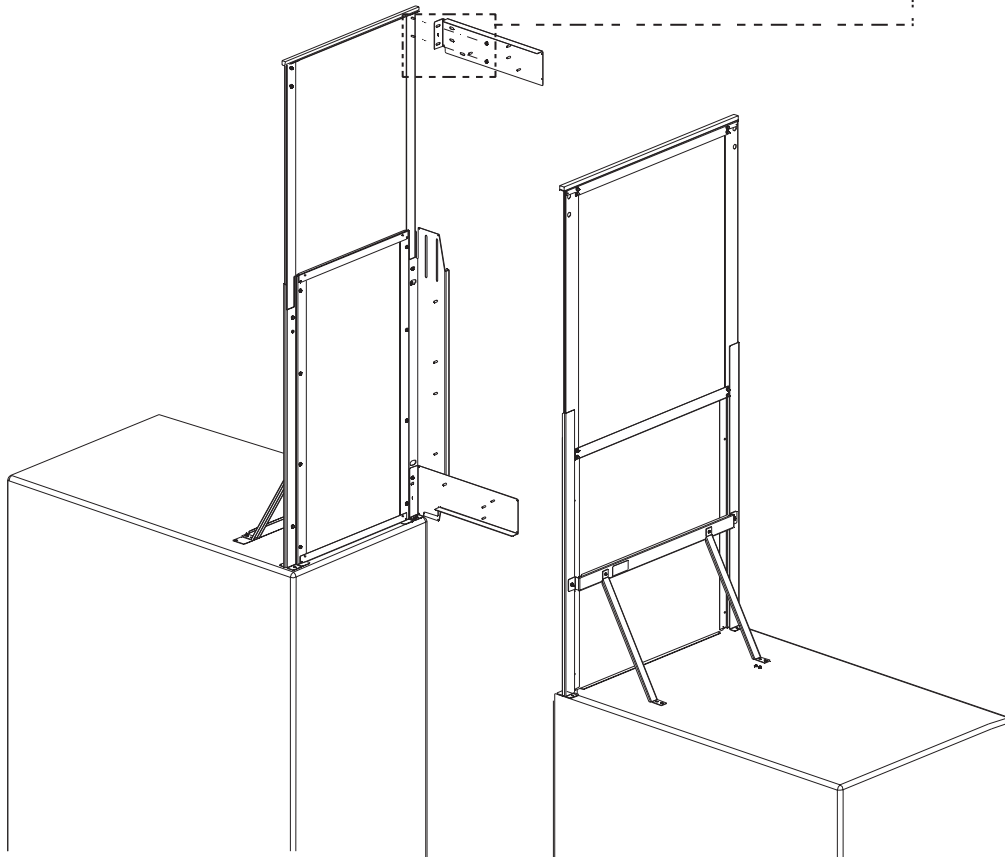
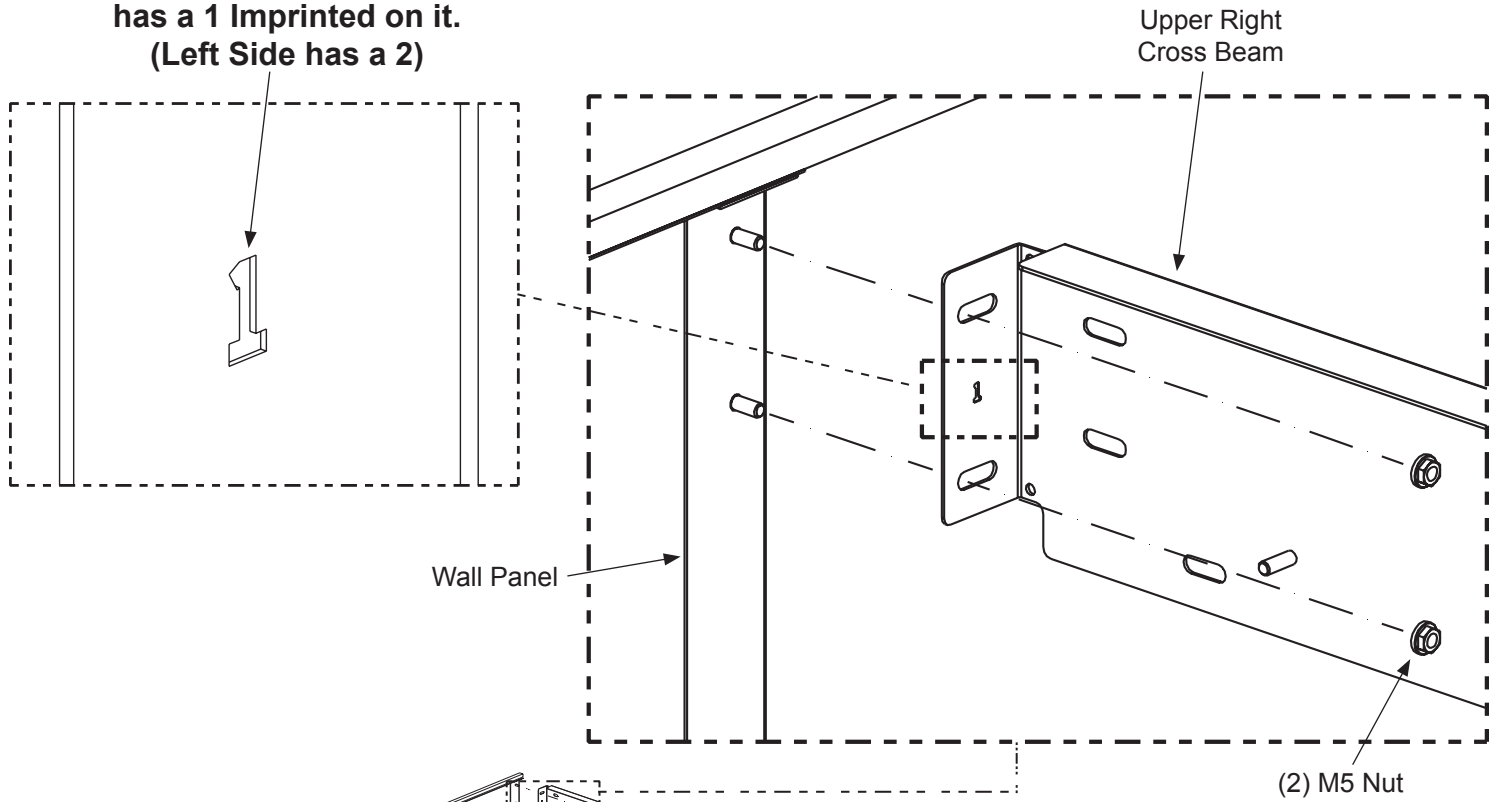


NOTE: Push Lower Cross Beams to Full Outer Position.

Attaching Upper Cross Beams

- Secure the upper right cross beam to the top of the right wall panel with (2) M5 Nuts.
- Repeat process for upper left cross beam.

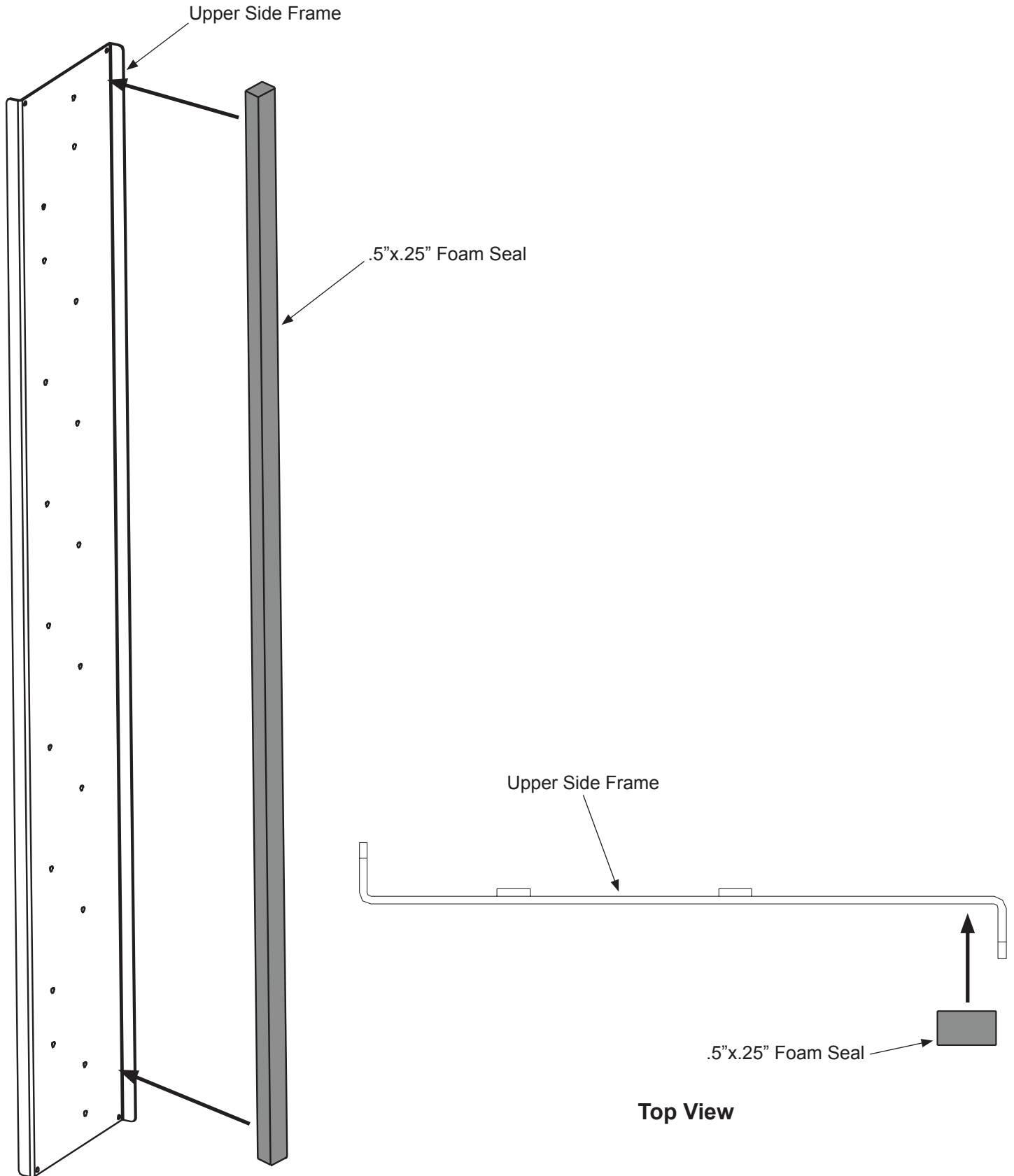
**NOTE: Upper Right Cross Beam
has a 1 Imprinted on it.
(Left Side has a 2)**



For Technical Support: www.panduit.com/resources/install_maintain.asp

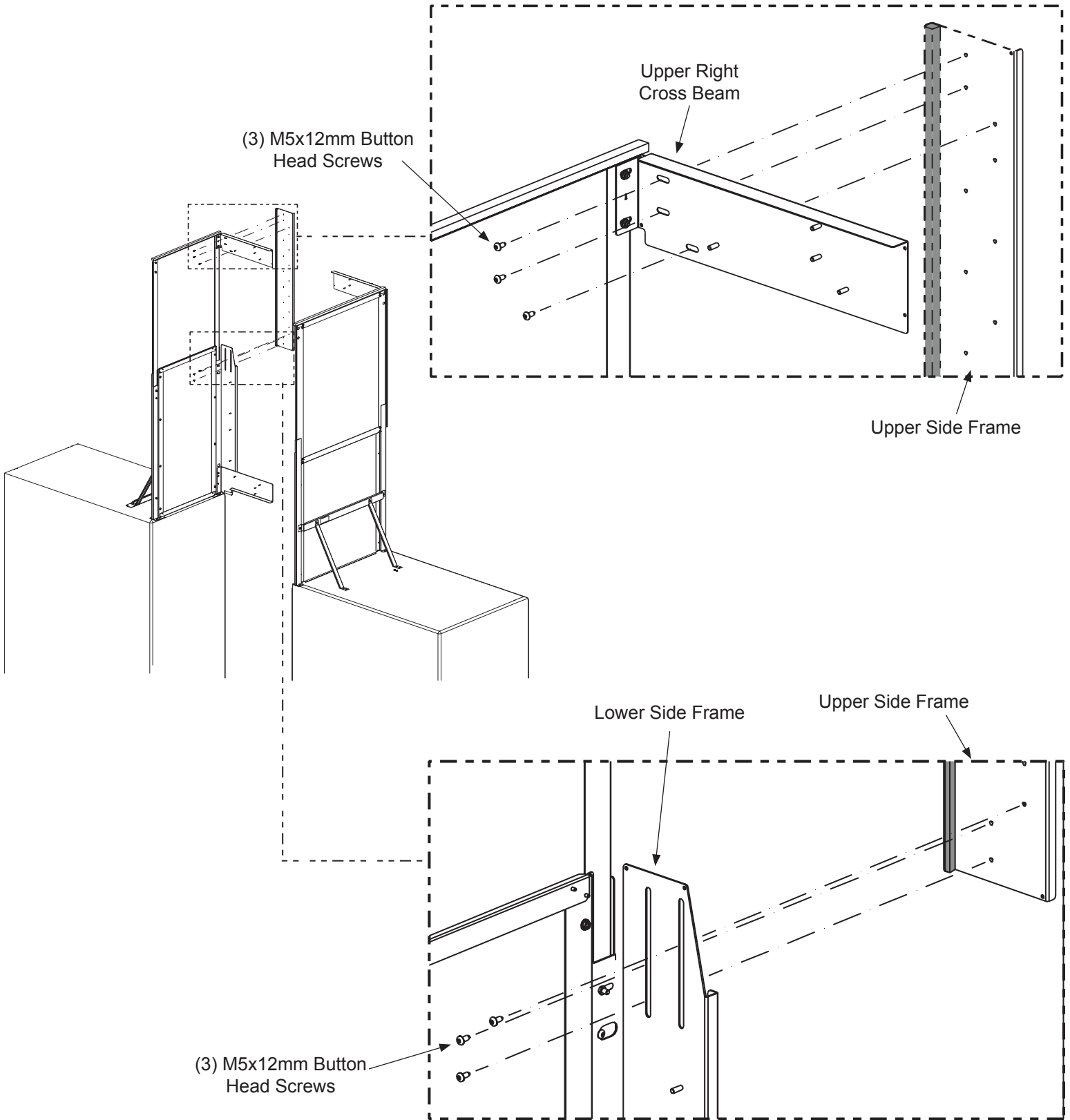
Attach Foam Seal to Upper Side Frame

- Attach (1) strip of .5x.25 inch foam next to the inside flange of each of the upper side brackets.



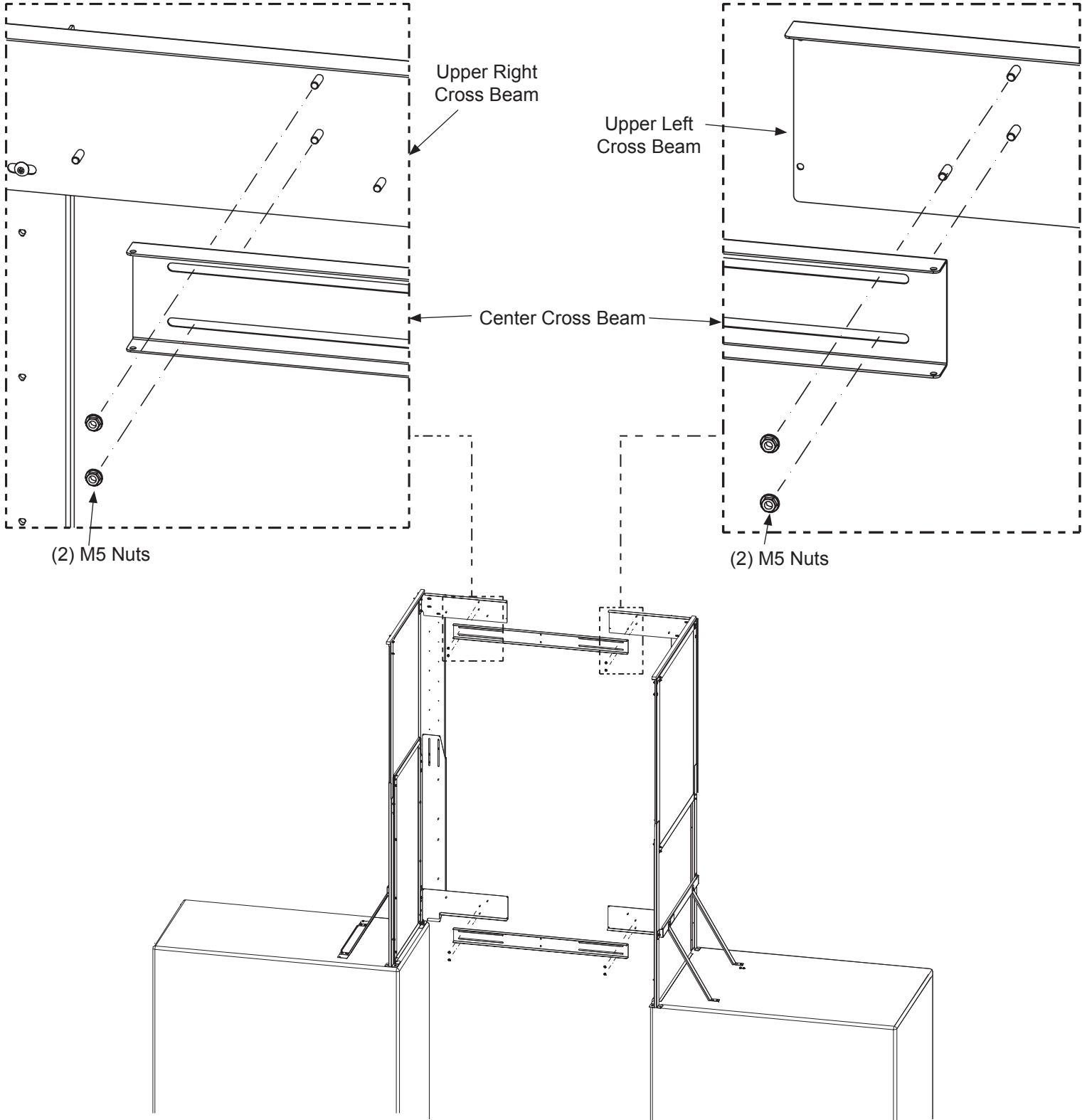
Attaching Upper Side Frame

- Attach (1) upper side frame to the upper right cross beam with (3) M5 12mm screws
- Secure upper side frame to lower side frame with (3) M5 12mm screws
- Repeat process for left side.



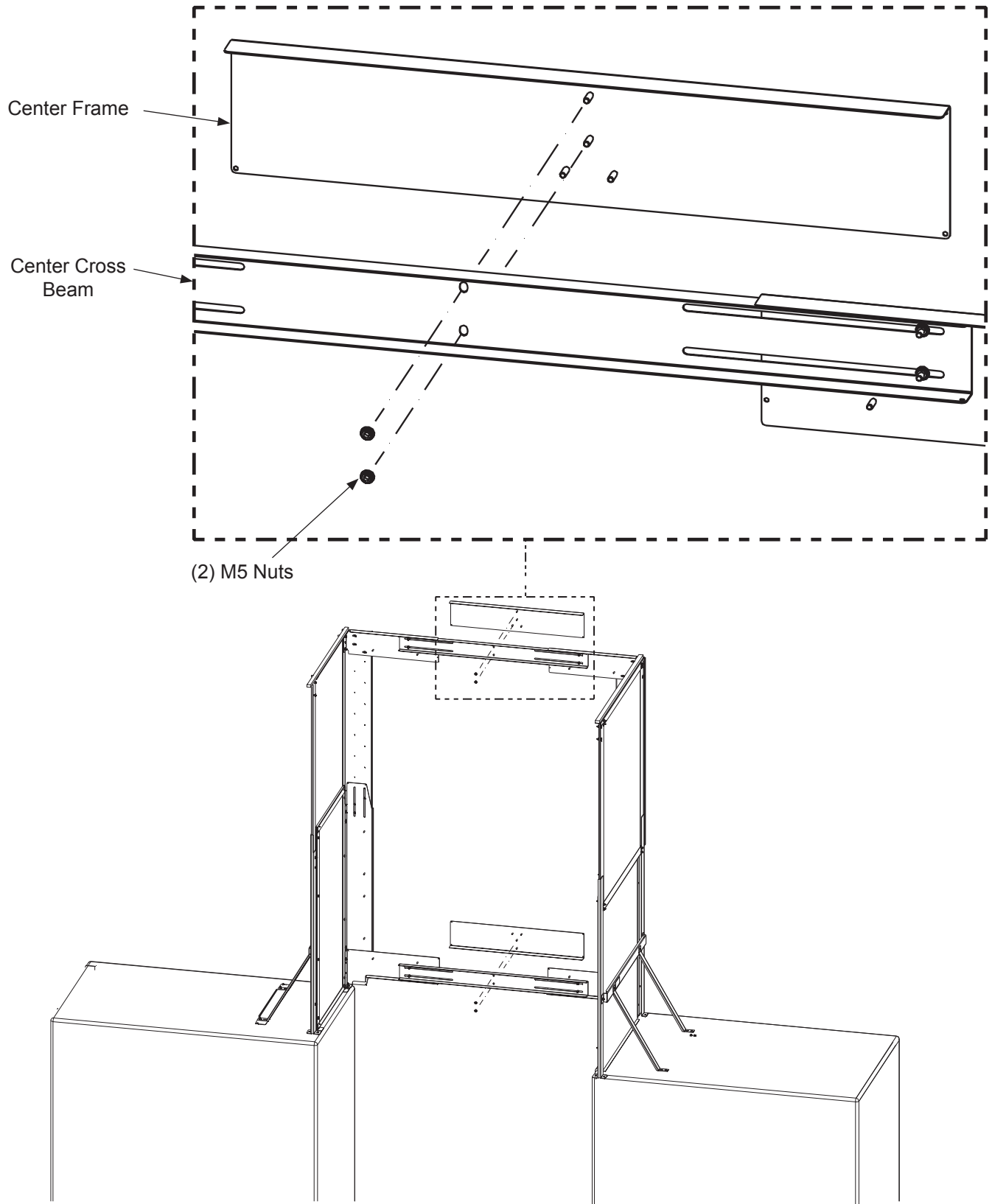
Attach Center Cross Beams

- Attach (1) center cross beam to upper right cross beam with (2) M5 nuts (do not tighten).
- Attach same center cross beam to upper left cross beam with (2) M5 nuts (do not tighten).
- Make sure the center cross beam is centered between the upper left cross beam and the upper right cross beam.
- Tighten nuts.
- Repeat process for lower right and lower left cross beams.



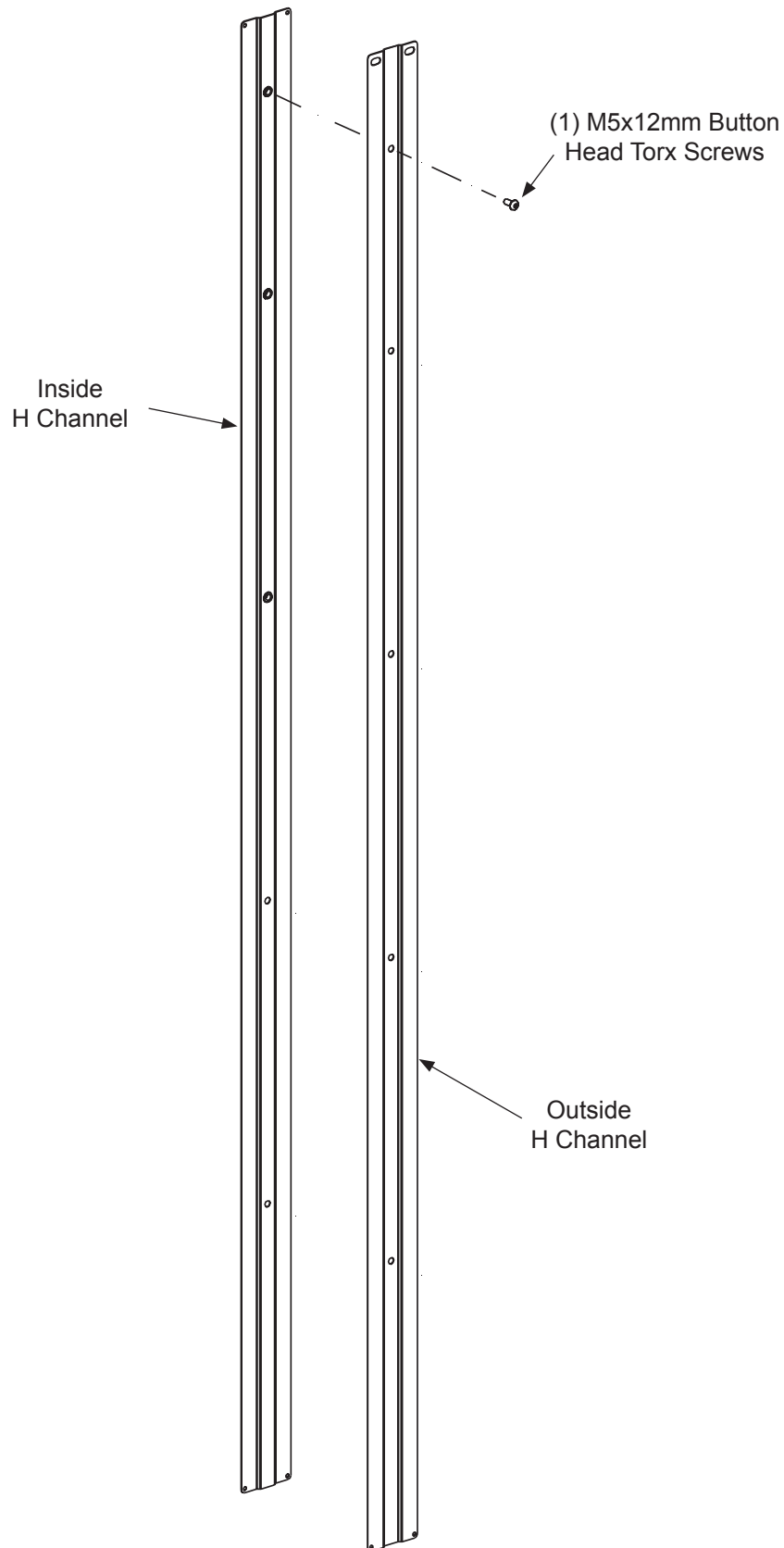
Attach Center Frames

- Attach (1) center frame to the upper center cross beam with (2) M5 nuts.
- Repeat process for lower center cross beam.



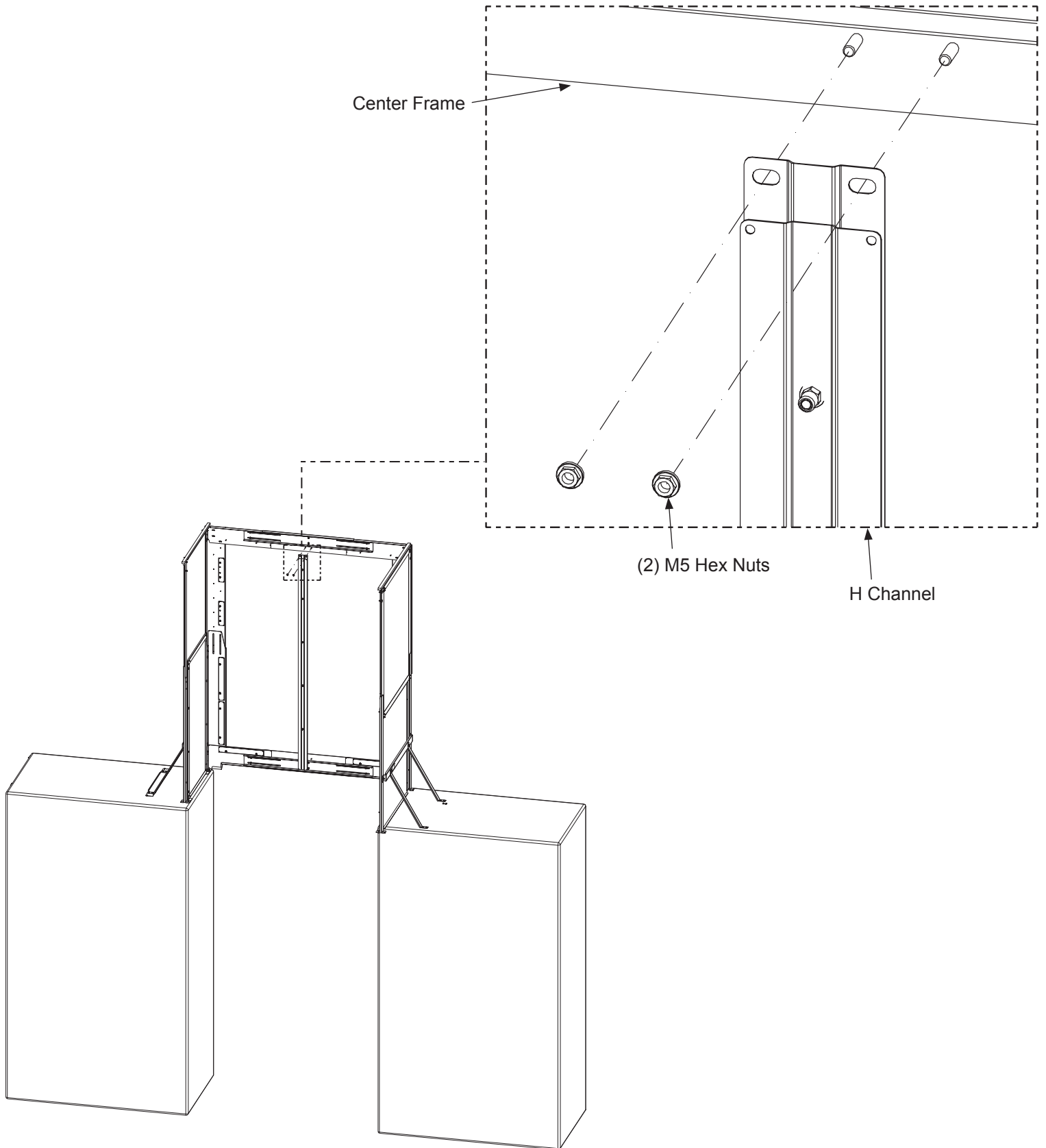
Assemble H Channel (For C2HACERI3866 Only)

- Using (1) M5x12mm button head torx screws, attach the inside H Channel to the outside H channel.



Attach H Channel to Center Frame (For C2HACERI3866 Only)

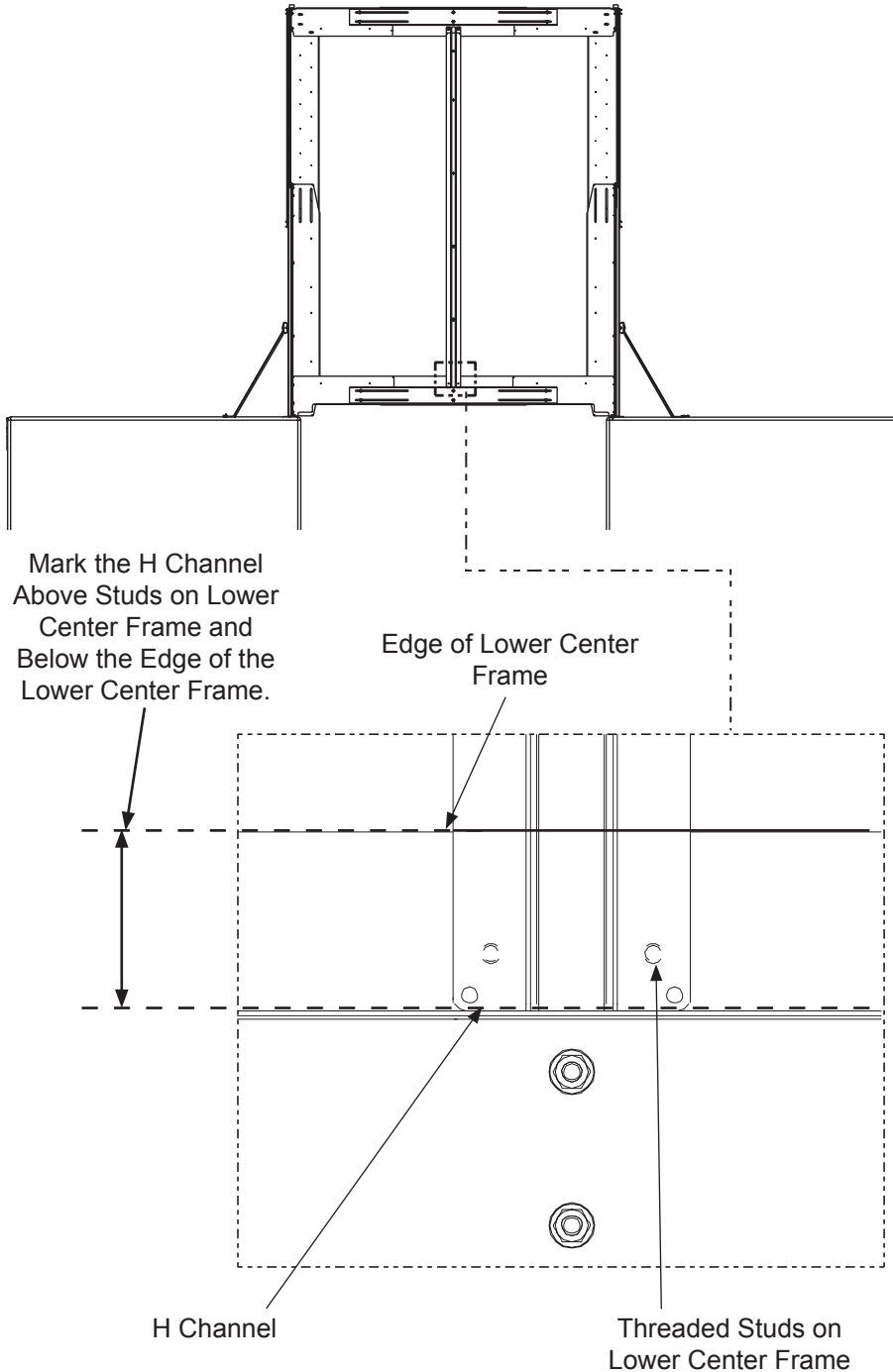
- Attach H channel to the center frame with (2) M5 hex nuts.



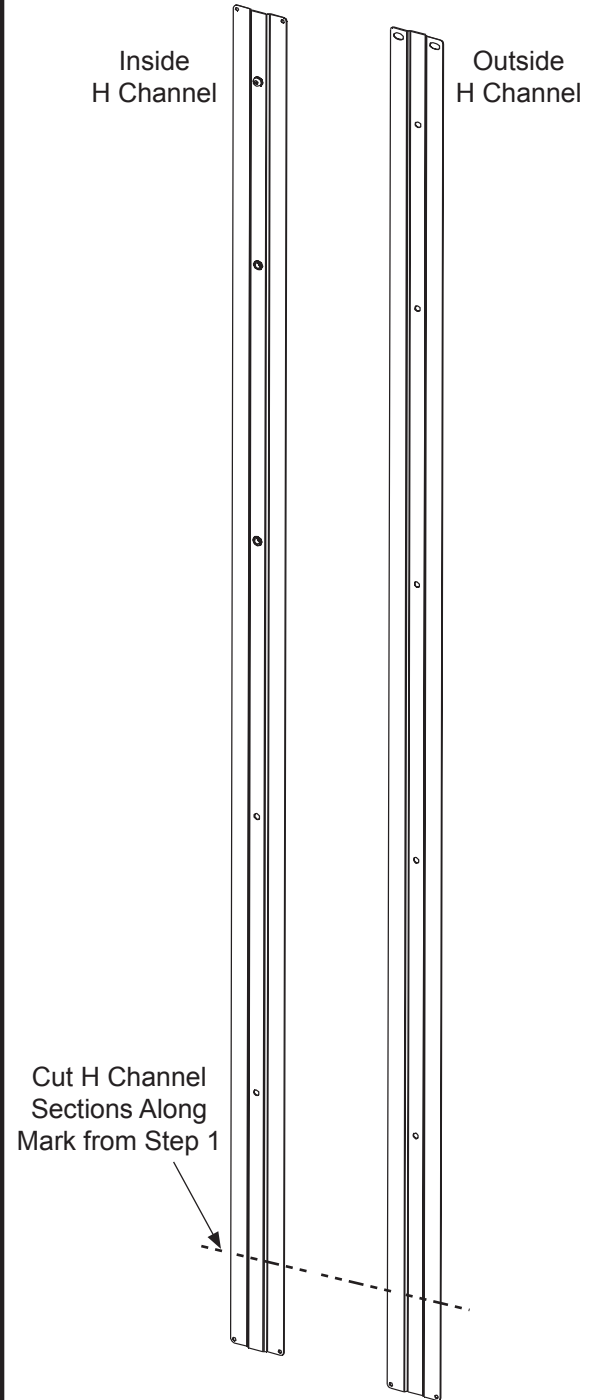
Mark and Cut H Channel (For C2HACERI3866 Only)

- Make a mark on the inside and outside H Channels above the threaded studs on the lower center frame and below the edge of the lower center frame.
- Detach H Channel assembly from top center frame.
- Separate the inside H Channel from the outside H Channel.
- Cut inside H Channel and outside H Channel along mark made in Step 1.

Step 1

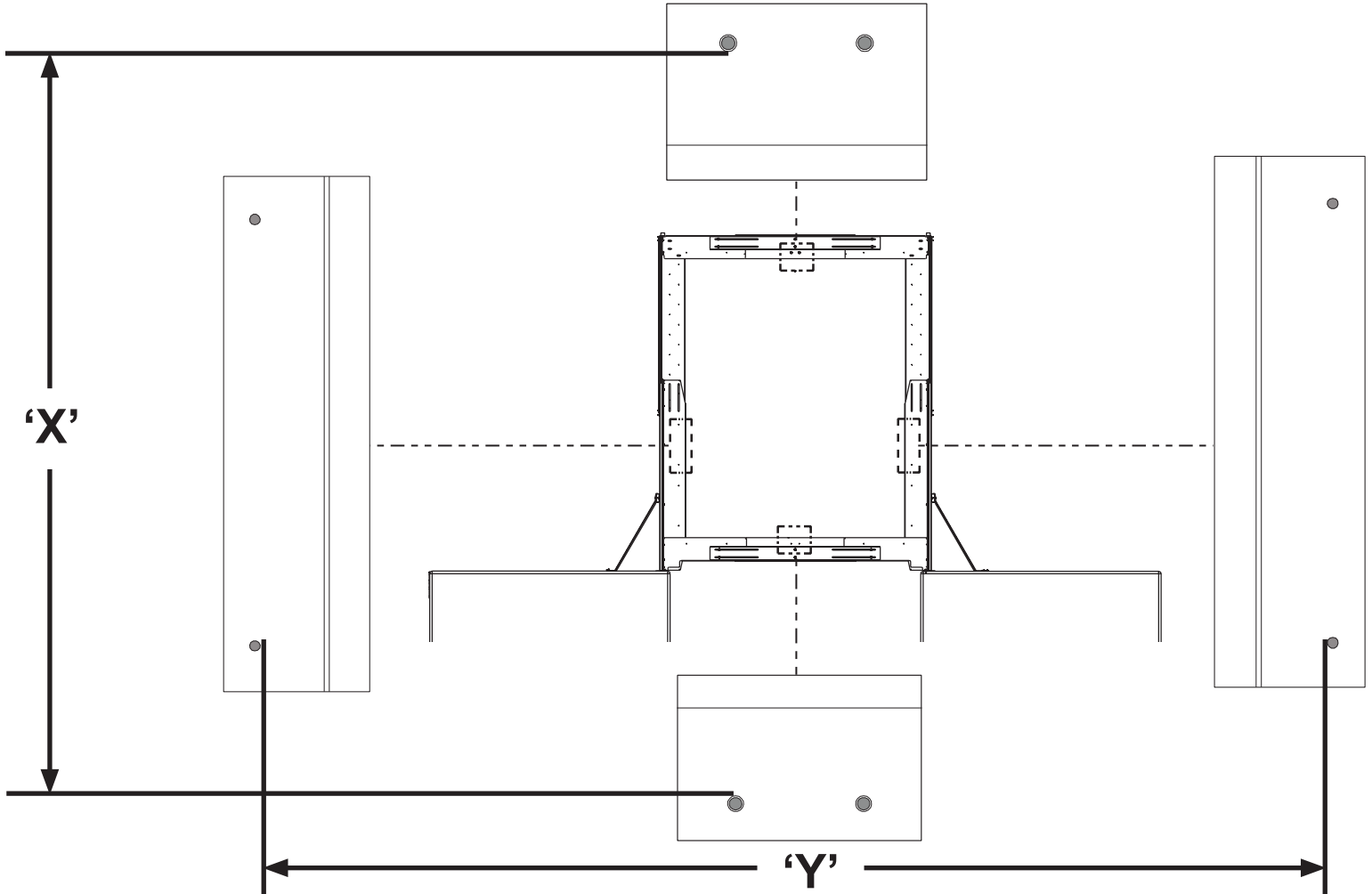


Step 2



Measure and Cut Wall Panel

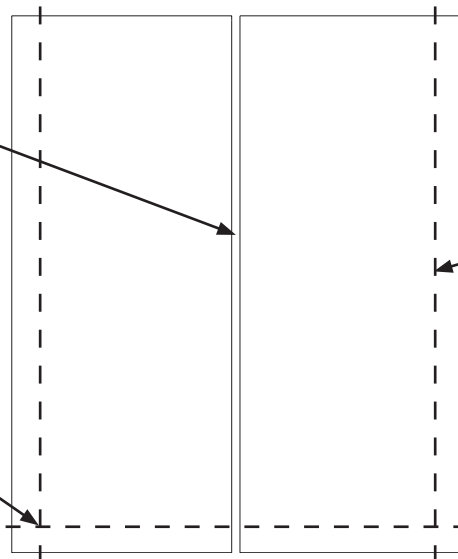
- Measure distance between top and bottom studs in frame. (Shown as distance 'Y')
- Measure distance between left and right studs in frame. (Shown as distance 'X')
- Cut wall panel to match lengths 'X' and 'Y' using a sharp knife and a straight edge.
- Note: For C2HACERI3866 the combined width of wall panels and H Channel should total length 'X'. When trimming length 'X', trim the sides equally to keep the H Channel centered.



H Channel Only Used with
Part # C2HACERI3866

Cut Wall Panels to
Match Lengths "X" and
"Y" Using a Sharp Knife
and a Straight Edge.

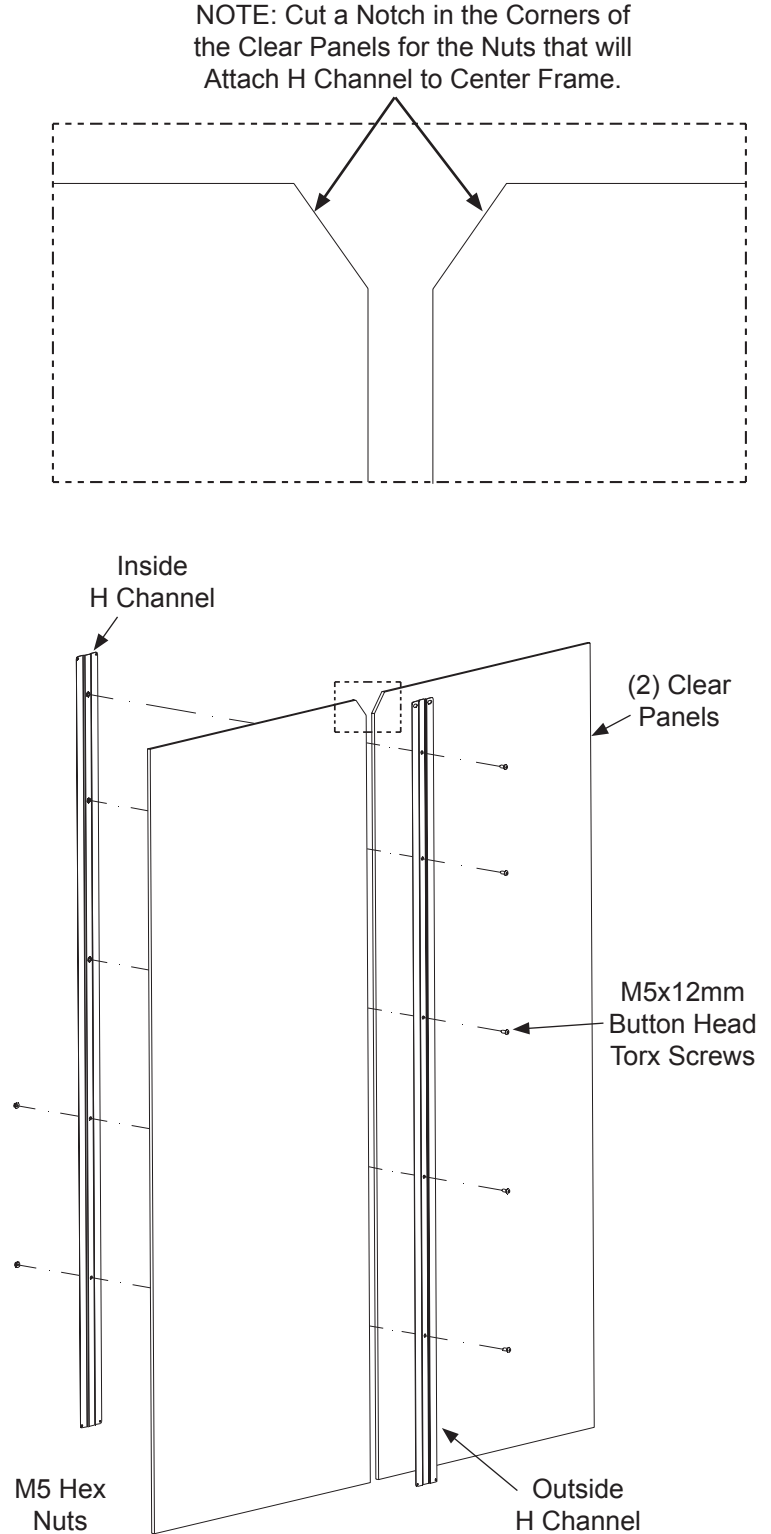
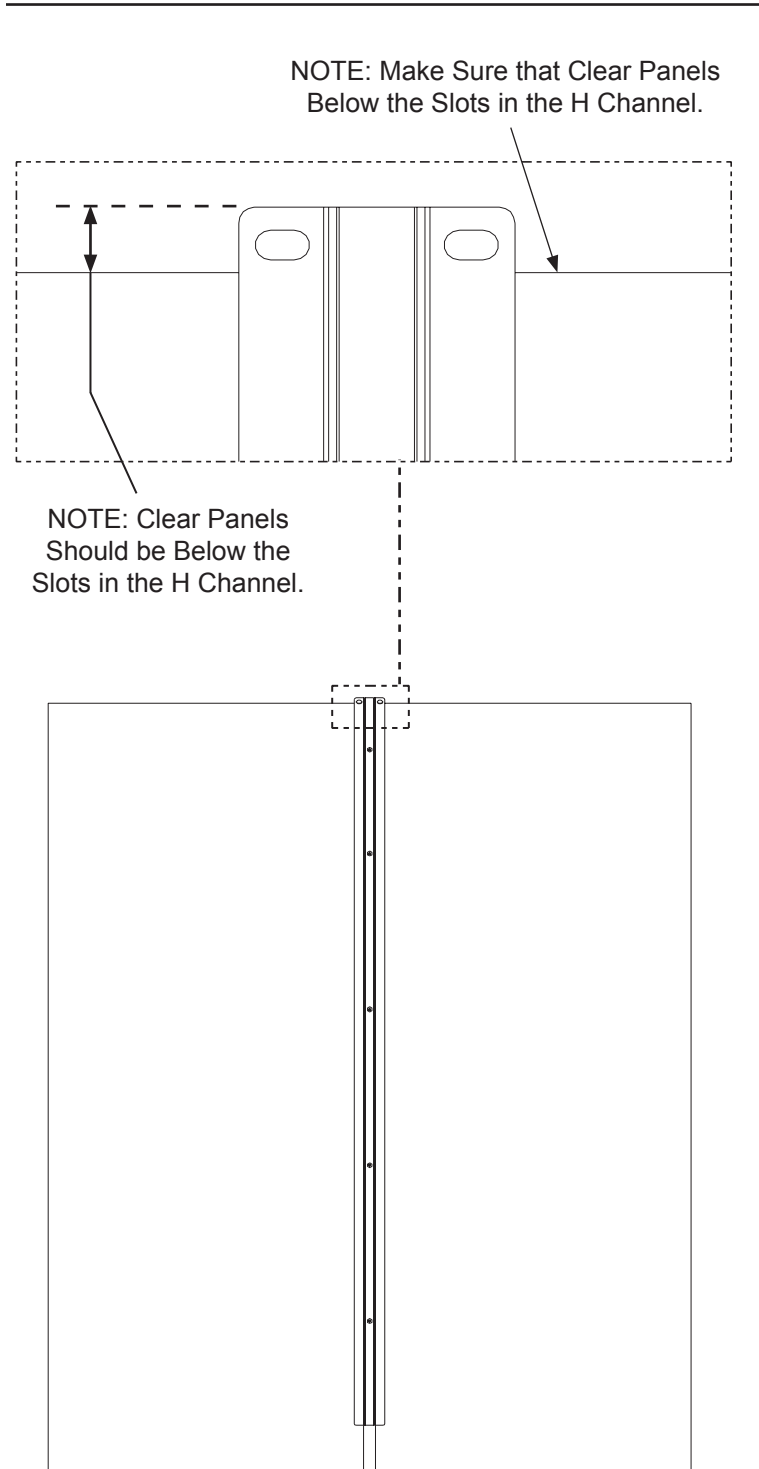
NOTE: When Using H
Channel, Trim Equal
Amounts from Both
Clear Panels to Keep H
Channel Centered.



Attaching H Channel to Clear Panels (For C2HACERI3866 Only)

- Attach the inside H Channel to the outside H Channel with M5x12mm button head torx screws and M5 hex nuts securing (2) clear panel in between the inside and outside H Channels. The number of screws and nuts depends on the height of the wall.

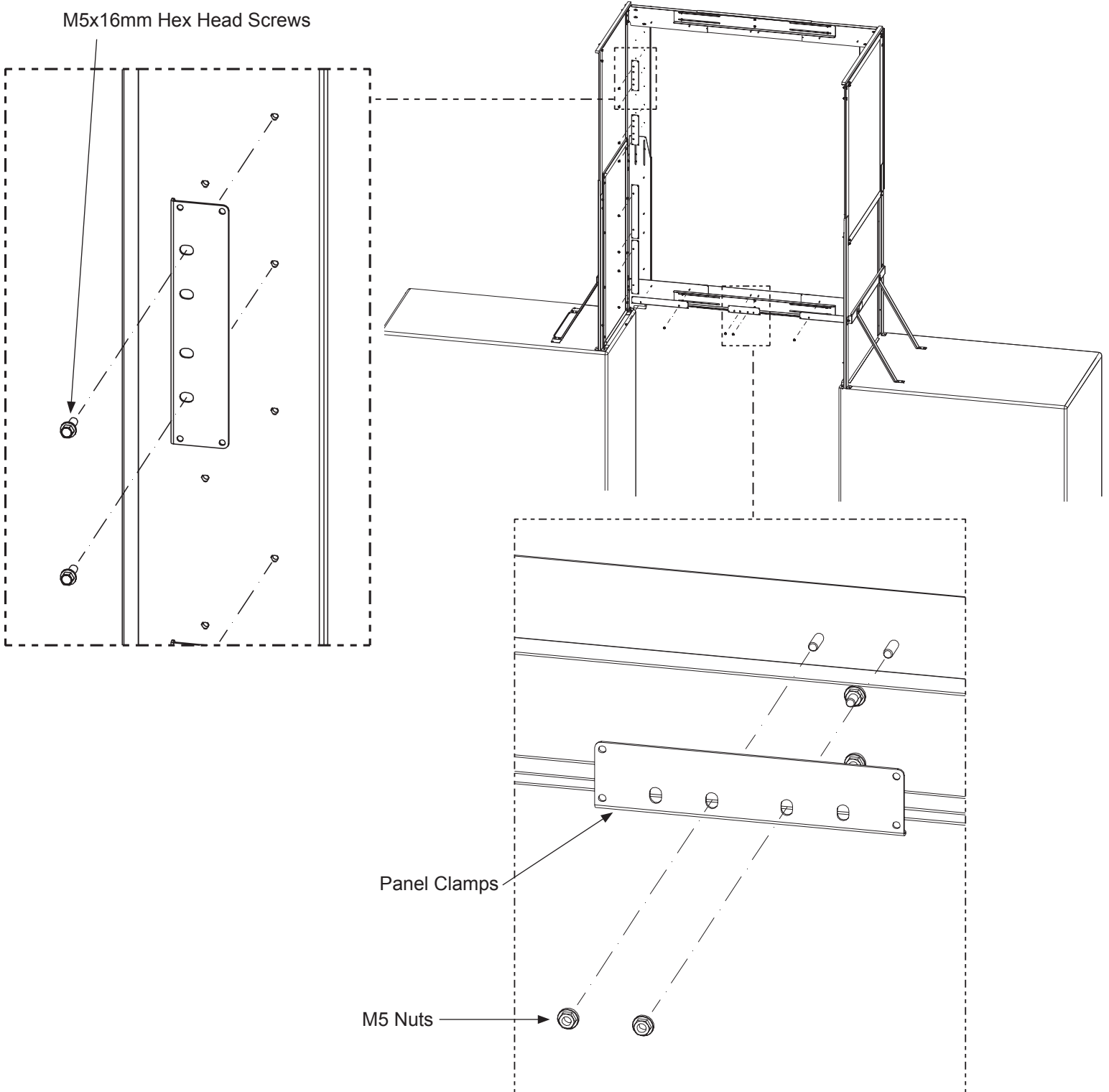
NOTE: When placing the clear panels, make sure that they are under the slots in the top of the H Channel.



Attach Bottom and Side Wall Panel Clamps

- Attach required number of panel clamps across the bottom of the wall and along one side with M5 nuts and M5 16mm hex head screws. (Do not tighten fasteners.)

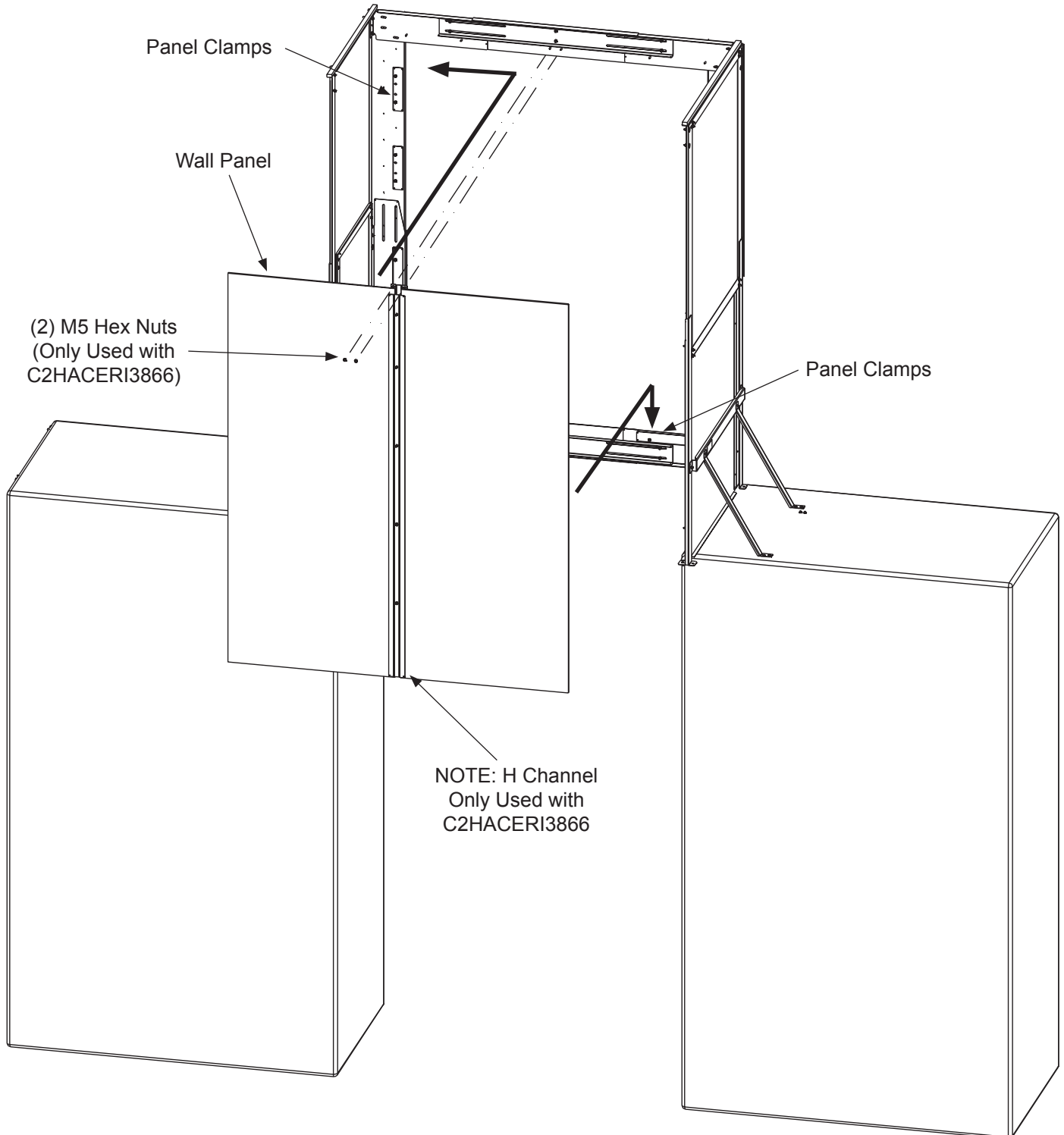
Note: Required number of panel clamps and fasteners will vary depending on wall size and height.



Insert Wall Panel

- Slide previously cut panel(s) into installed panel clamps to hold them in place.

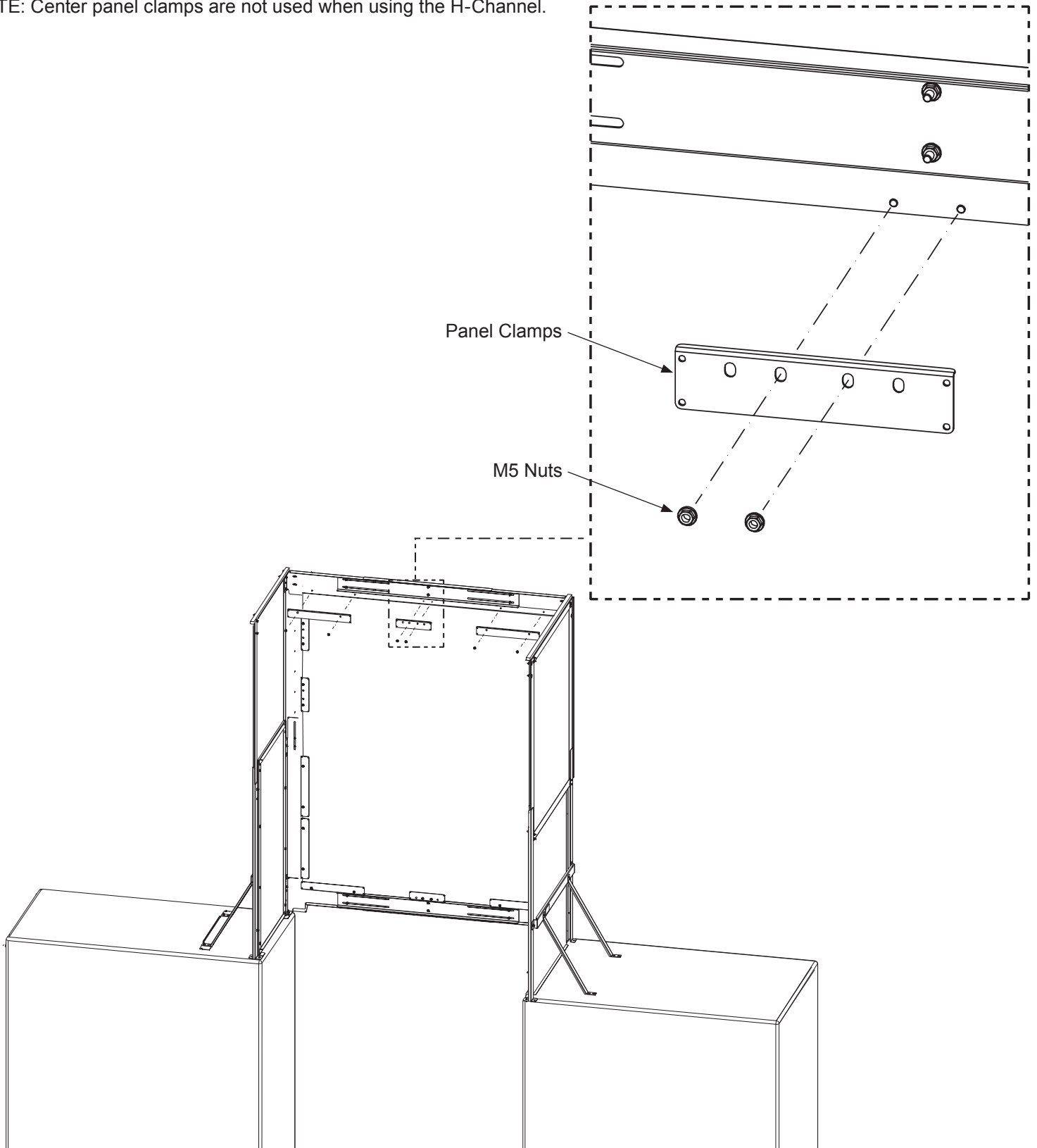
Note: For C2HACERI3866 the H Channel will have to be secured to the center frame with (2) M5 hex nuts.



Attach Top and Remaining Side Wall Panel Clamps

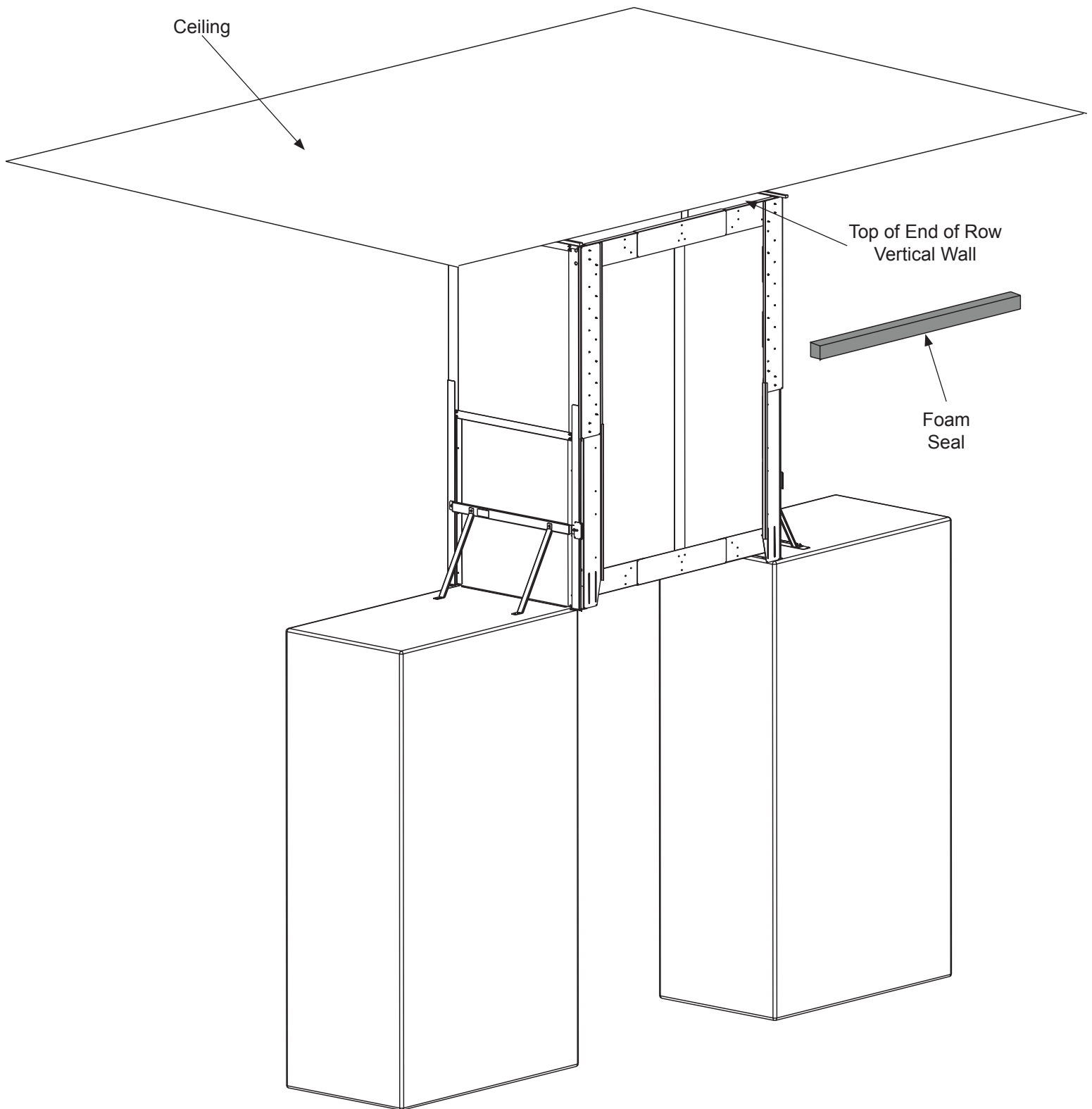
- Attach remaining panel clamps across the top of the wall and along the side of wall with M5 nuts and M5x16mm hex head screws to secure wall panel(s) in place.
- Tighten all fasteners.

NOTE: Center panel clamps are not used when using the H-Channel.



Foam Seal Installation

- Compress and insert (1) strip of foam seal in between the top of the end of row vertical wall and the ceiling closing any gaps.



SECTION 4

Installation of Wall Panels

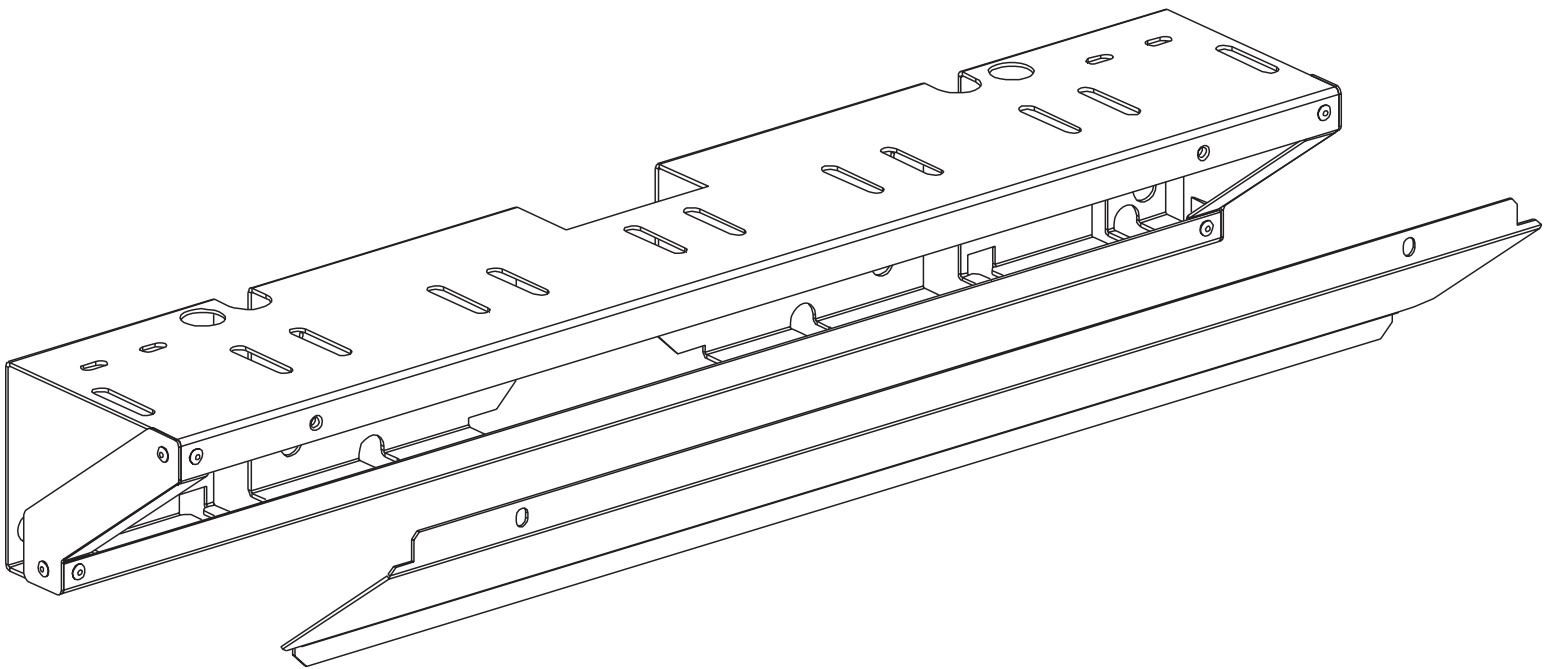
Installed on Roofing Version only

Part Number(s)

CAC06F08WP**

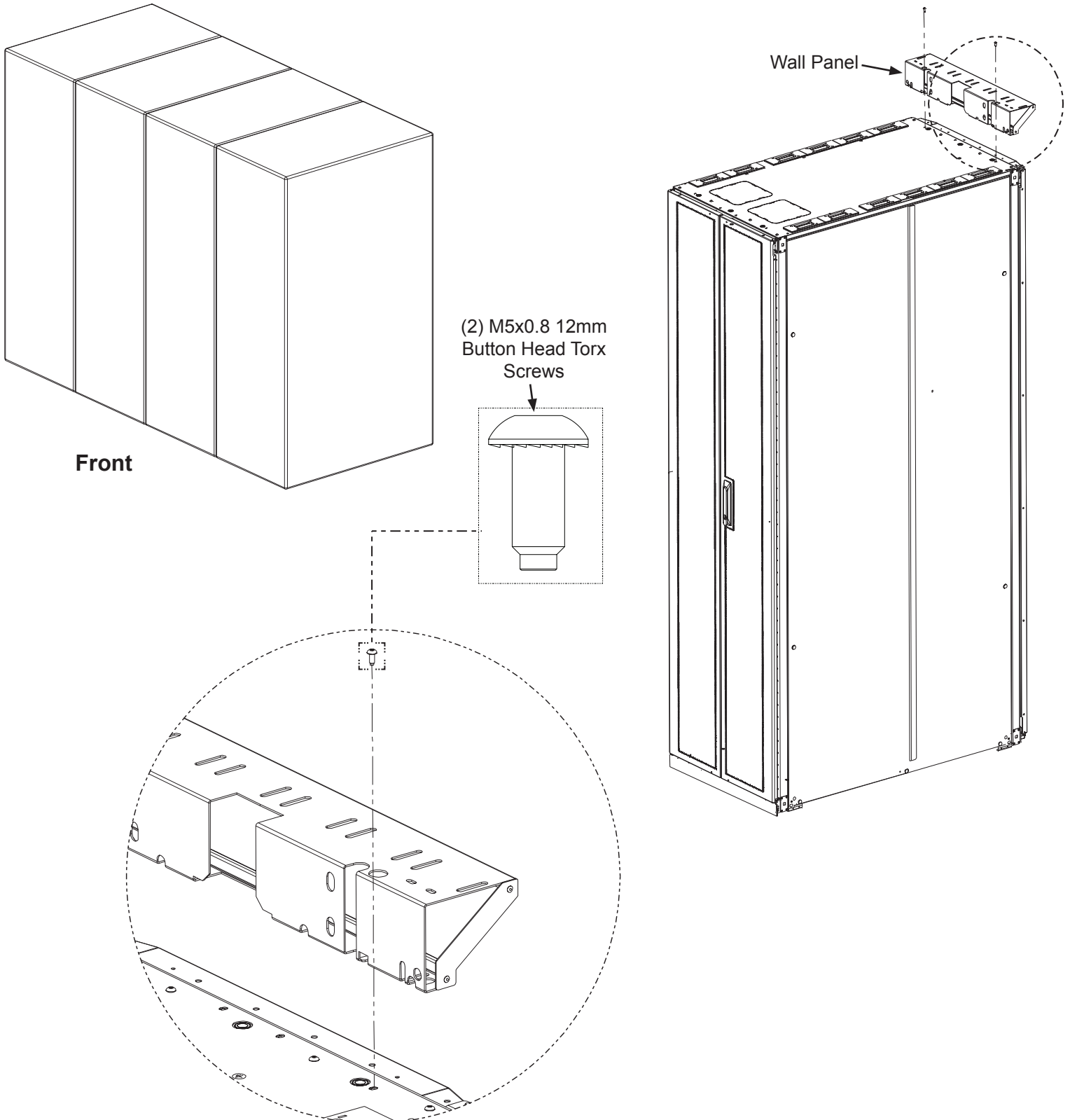
CAC07F08WP**

CAC08F08WP**



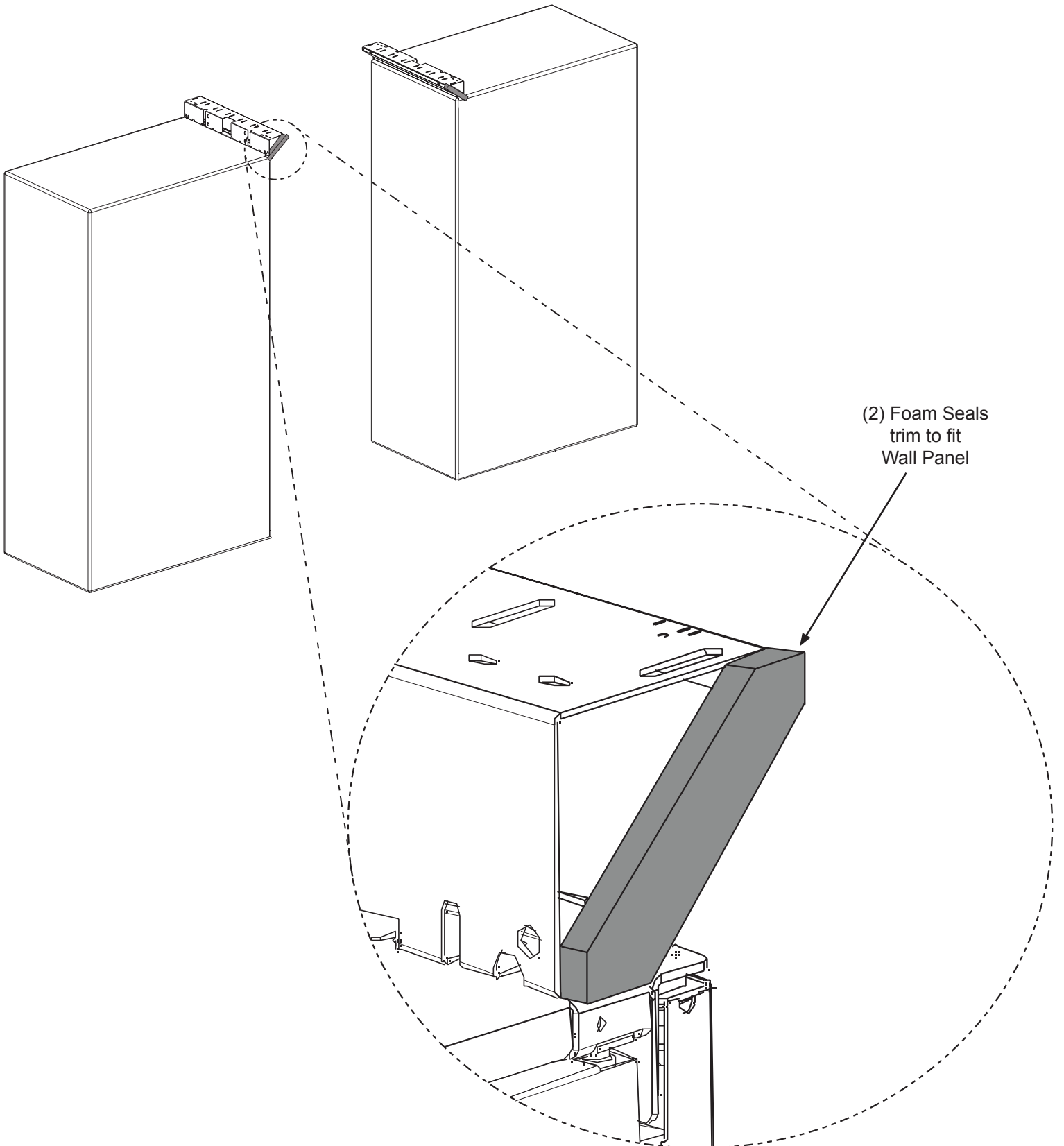
Wall Panel Installation

- Start installation of Wall Panels with cabinet on your far right end of the row (when facing front of cabinet.)
- Install (1) Wall Panel by aligning Wall Panel with threaded holes on top of Cabinet.
- Secure Wall Panel to cabinet with (2) M5x0.8 12mm Button Head Torx Screws.



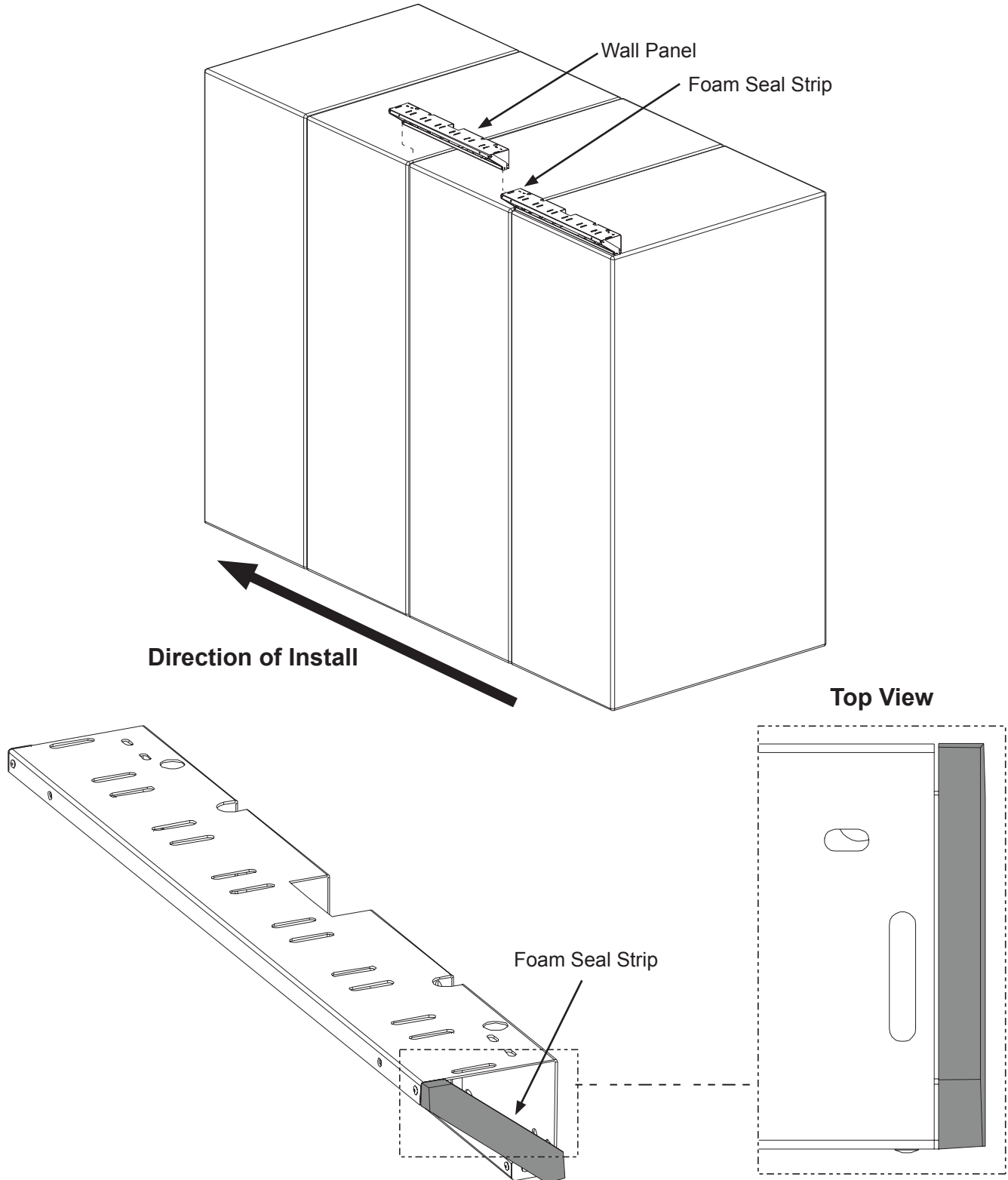
Attaching Seals to Wall Panels

- Trim (2) pieces of Foam Seal to Fit Wall Panel.
- Add a (1) piece of 25mm x 25mm Foam Seal to the end of each Wall Panel.



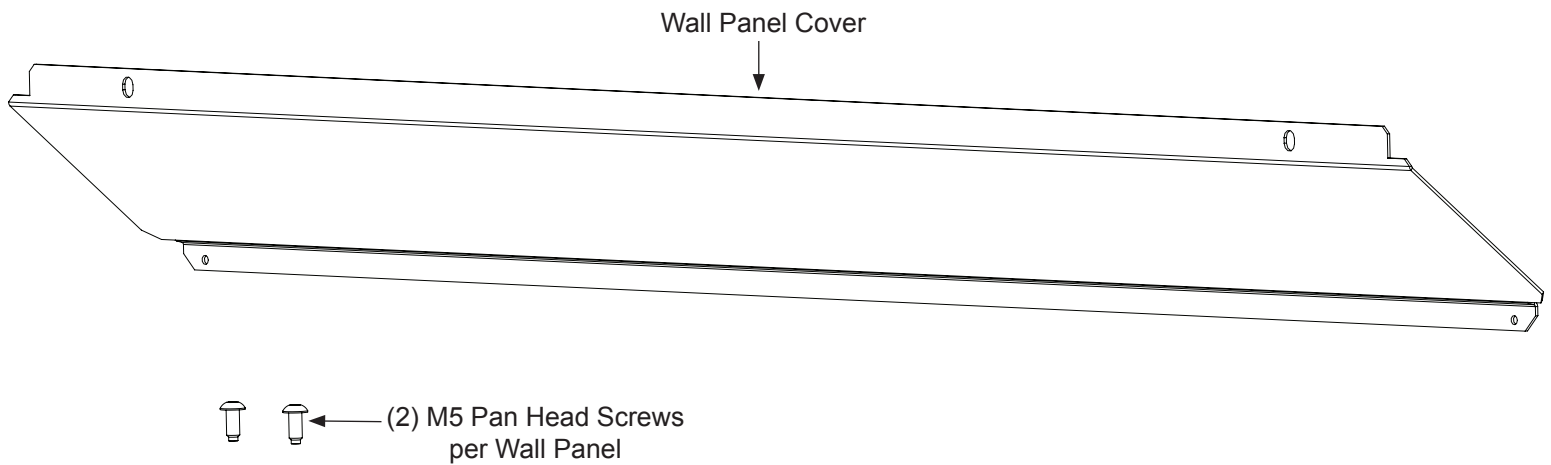
Wall Panel Seal Installation / Ganging and Securing Cabinets to Floor

- After installing the first Wall Panel of the row, apply (1) Foam Seal Strip along the edge of the Wall Panel to seal the gap between adjacent Wall Panel.
- Slide next Wall Panel over until Wall Panel is centered and foam is compressed.
- Repeat Process for all cabinets in row.
- Once all cabinets have Wall Panels installed, gang cabinets. (Reference CM598*)
- Panduit recommends securing cabinets to the floor. (Reference CM598*)



Wall Panel Covers to be Installed at end of next Section 6

- Set aside Wall Panel Covers and Screws. They will be installed at end of Section 6, Page 71.

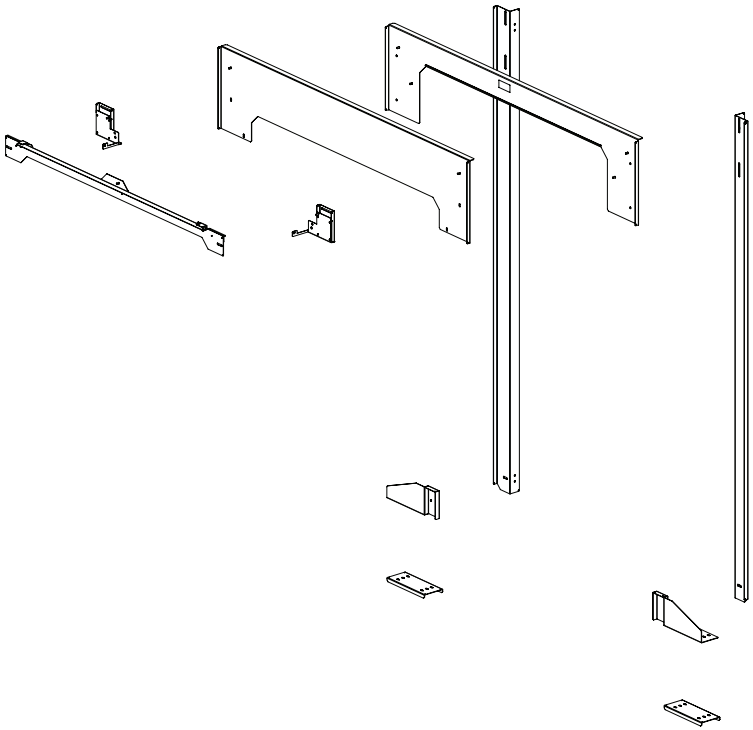


SECTION 5

INSTALLATION OF HAC/CAC DOOR ADAPTERS AND DOORS

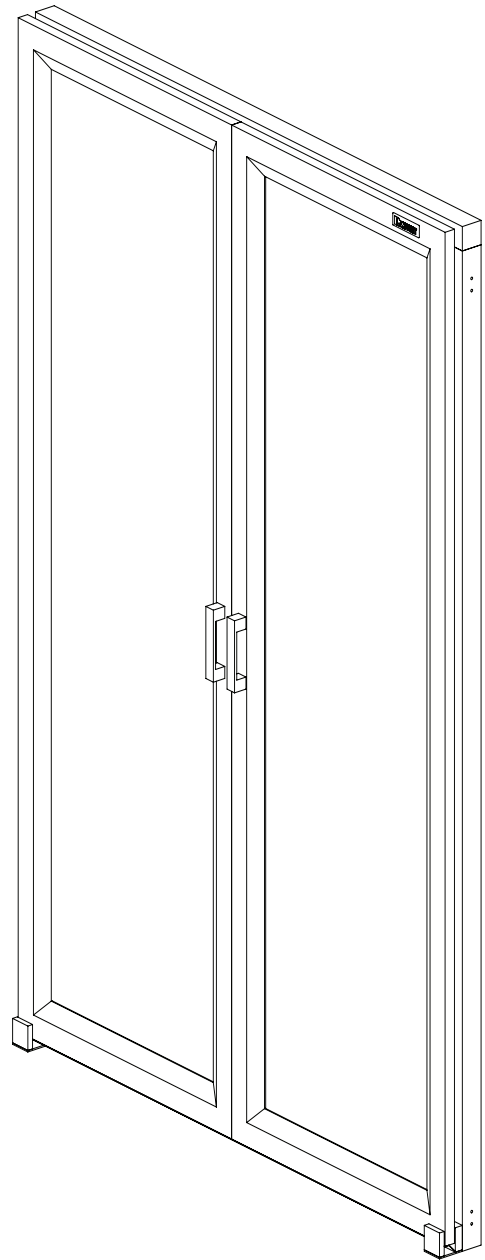
Part Number(s)

C2SDT8W04DA**
C2SDT9W04DA**



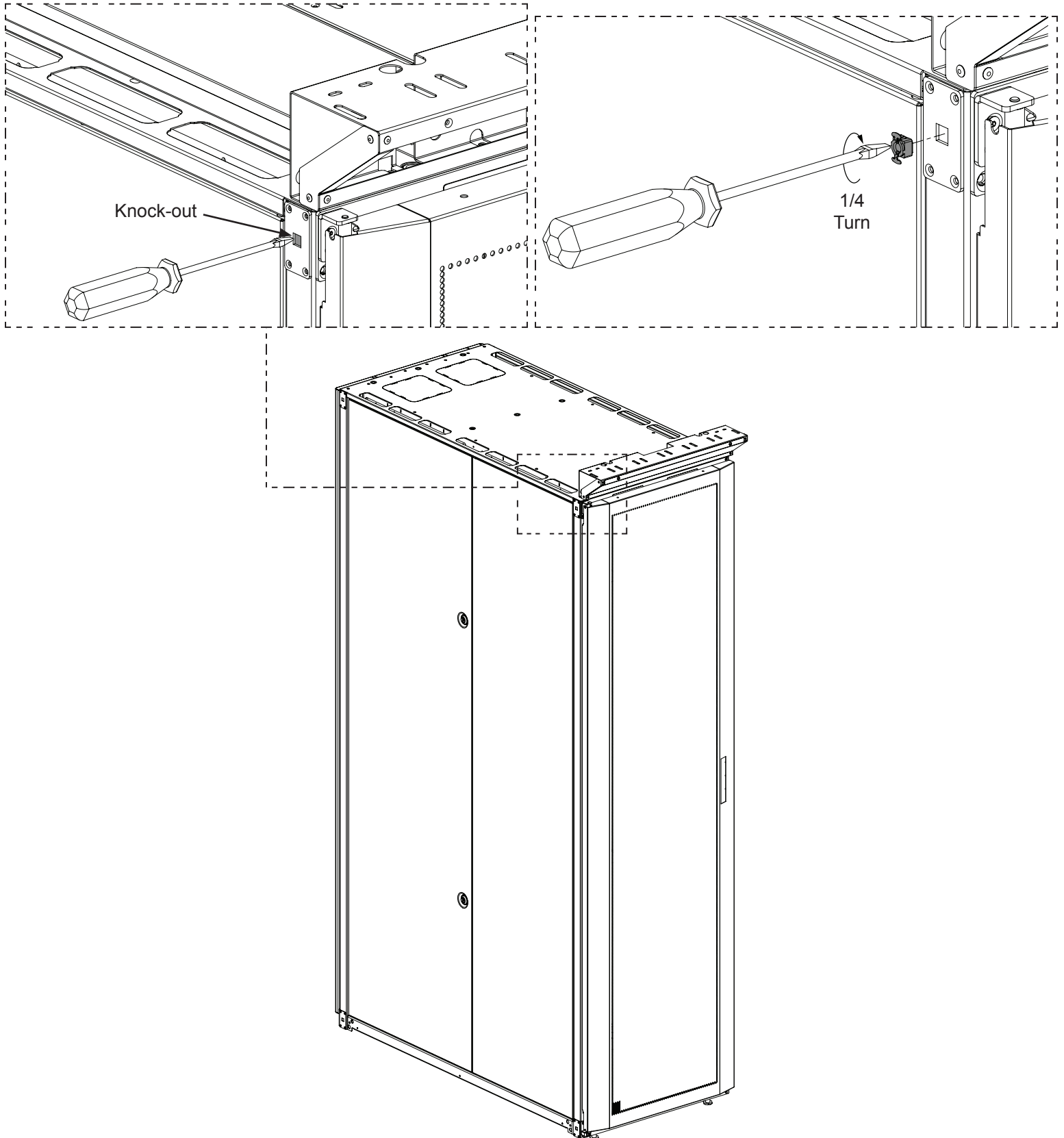
Part Number(s)

CUD1SD**
CUD2SD**



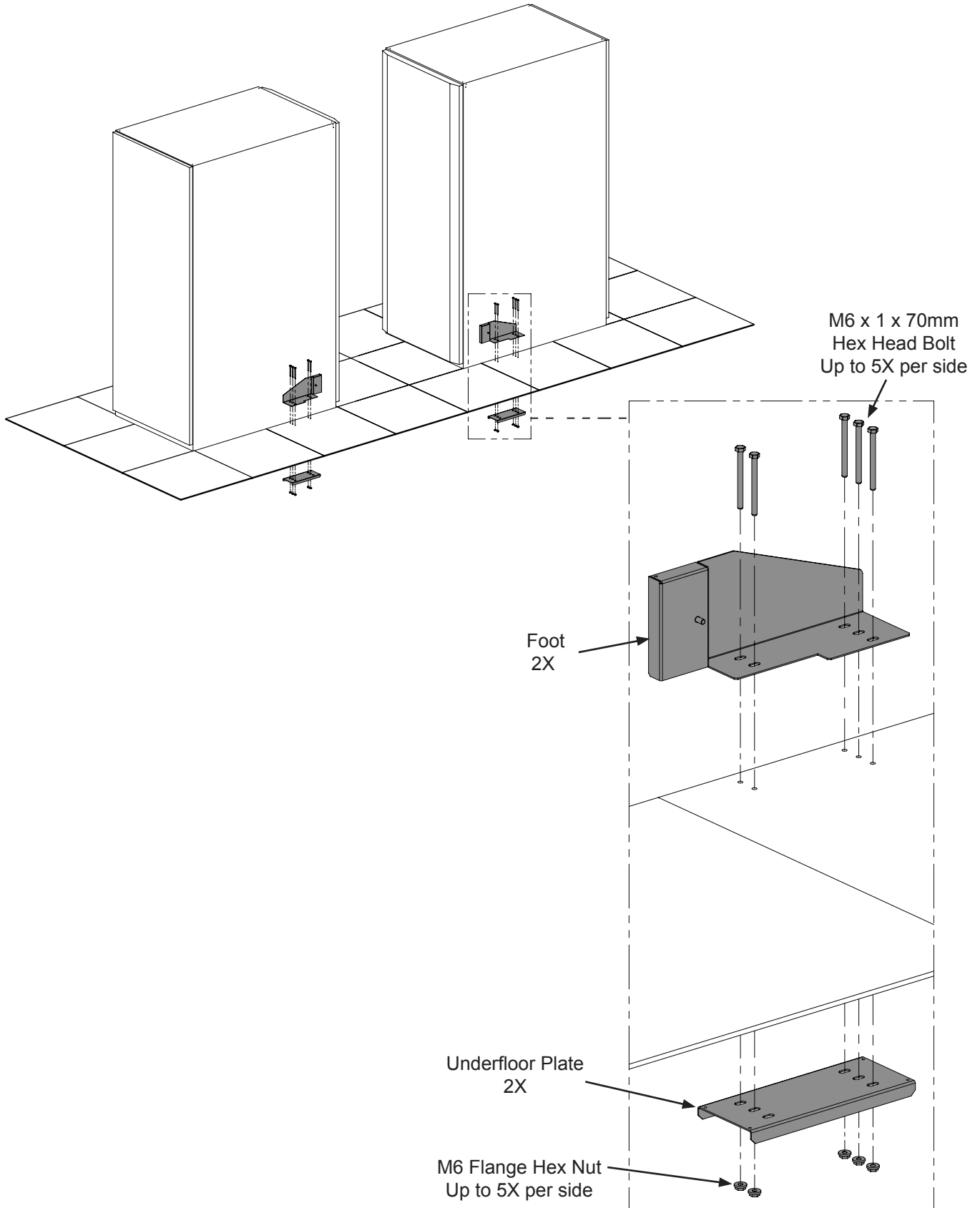
Inserting Cage Nut into S-Type Cabinets

- This step does not apply to N-Type cabinets. If using N-Type cabinets skip ahead to next page.
- Knock out square hole in cabinet with screwdriver. Make sure the knock-out tab is removed fully from the opening.
- Insert cage nut into the opening and rotate 45 degrees with a screwdriver to secure.



Attaching Feet to the Floor

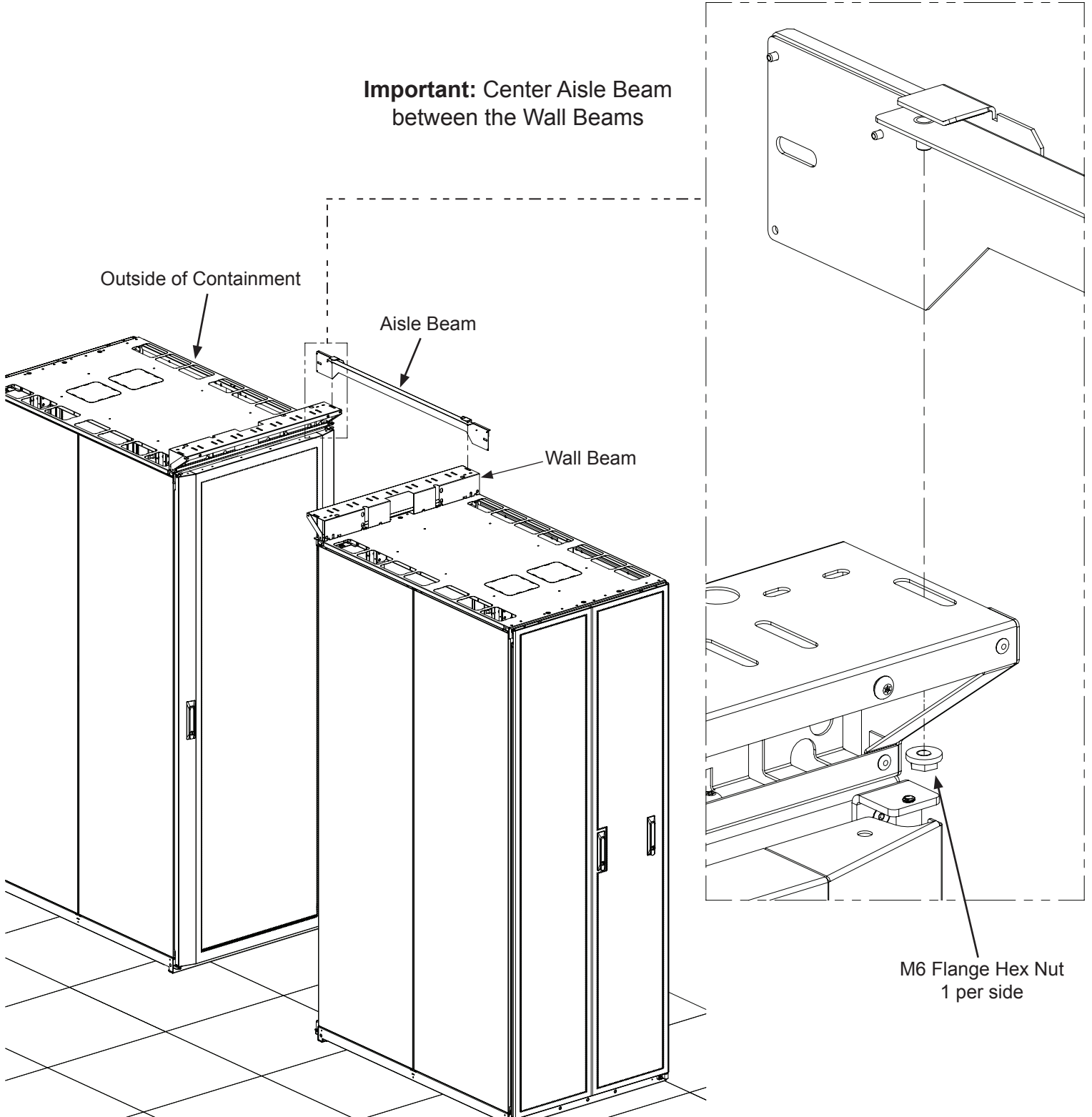
- For access to the Underfloor Plates, remove a Floor Tile that is next to the Floor Tile that the Foot is being installed to.
- Need to use a minimum of two screws per foot when securing the feet to the floor.



Attaching Aisle Beam (for Roof Version only)

- The Aisle Beam only gets attached if a Roofing version is being installed.
- Skip this step if a Vertical Wall system is being installed.

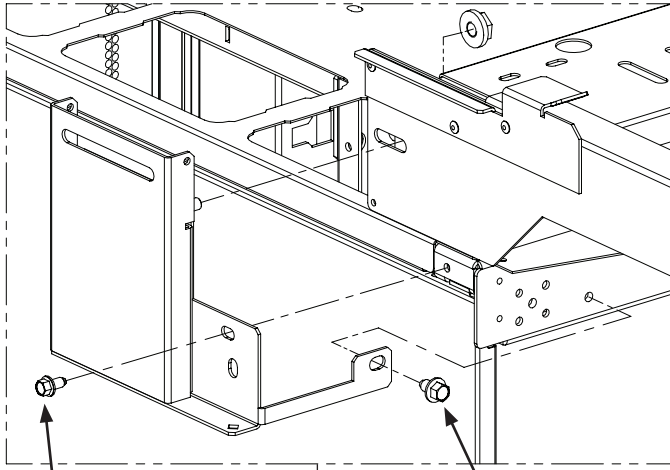
Important: Center Aisle Beam
between the Wall Beams



Attaching Cabinet Brackets (Roof Version)

Shown on N-Type Cabinets

See image below right if
Installing on S-Type cabinets

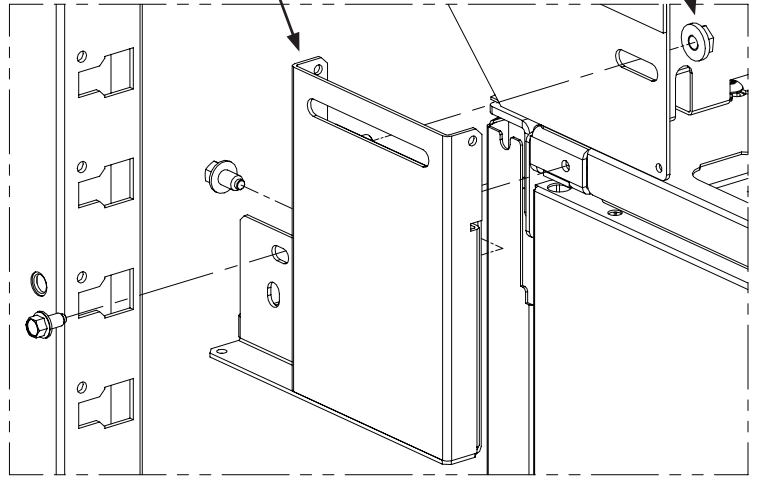


M5 x 0.8 x 10 Hex Head Screw
1 per side on N-Type Cabinet

M6 x 1 x 10 Hex Head Screw
1 per side

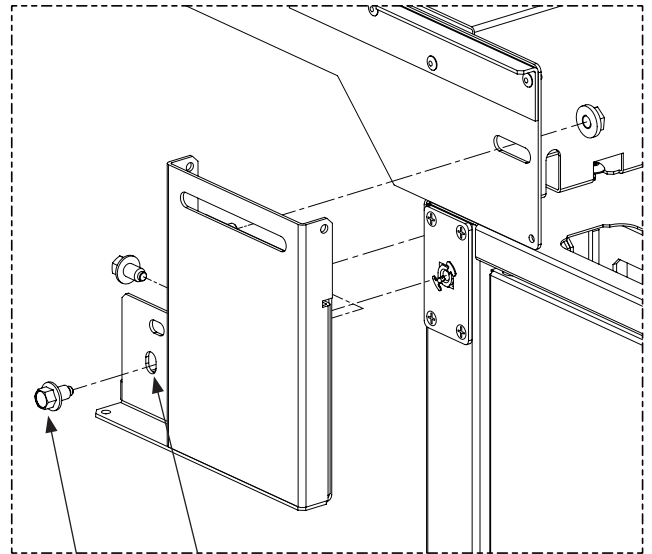
Cabinet Brackets
1 per side

M6 Flange Hex Nut
1 per side



For S-Type Cabinets

Attach Cabinet brackets through
lower slot shown using a
M6 x 1 x 10 Hex Head Screw



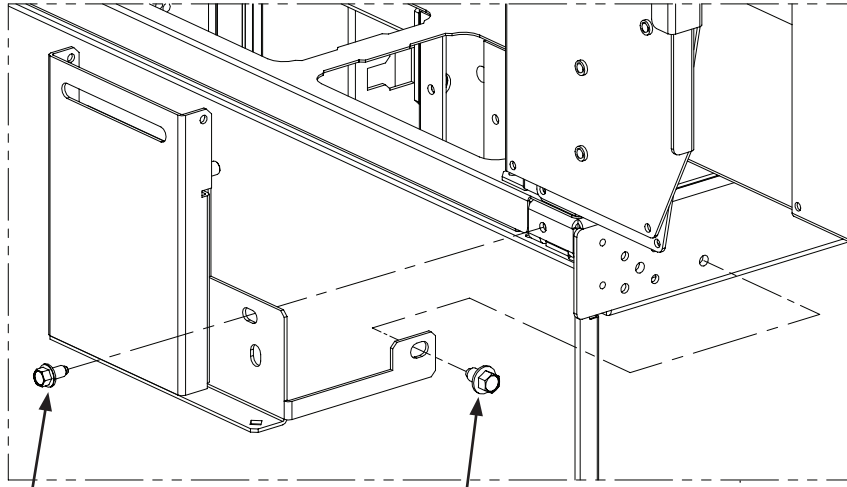
Lower slot

M6 x 1 x 10 Hex Head Screw
into previously installed cage nut
1 per side on S-Type Cabinet

Attaching Cabinet Brackets (Vertical Wall Version - No Aisle Beam)

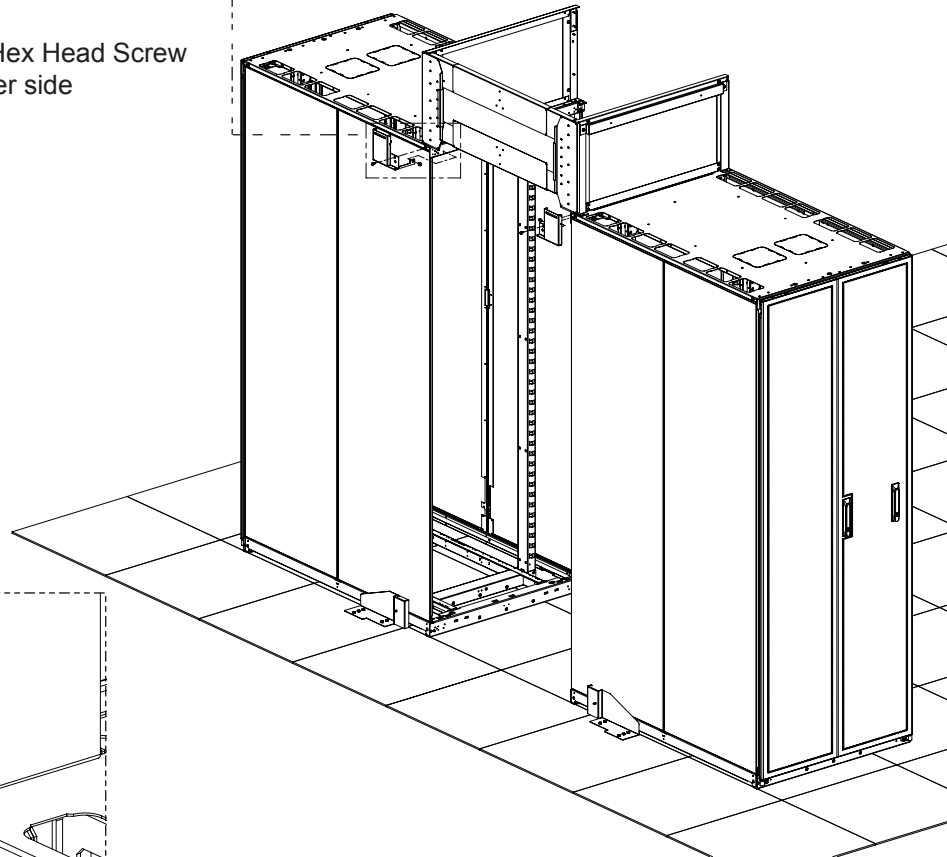
Shown on N-Type Cabinets

See image below if
Installing on S-Type cabinets



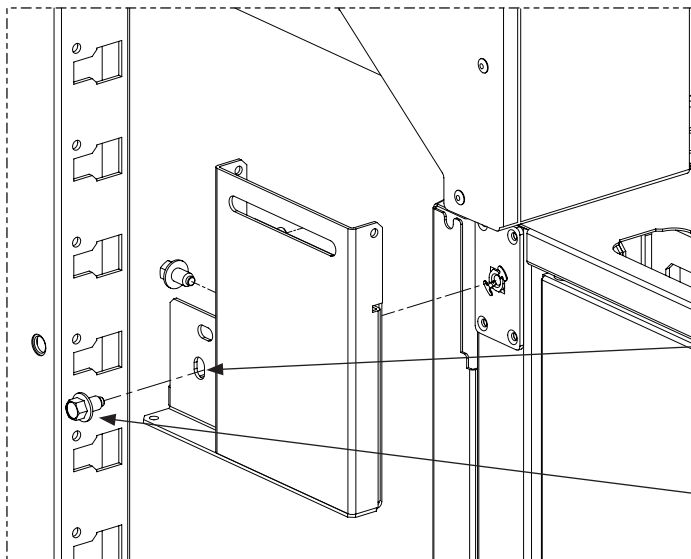
M5 x 0.8 x 10 Hex Head Screw
1 per side on N-Type Cabinet

M6 x 1 x 10 Hex Head Screw
1 per side



For S-Type Cabinets

Attach Cabinet brackets through
lower slot shown using a
M6 x 1 x 10 Hex Head Screw

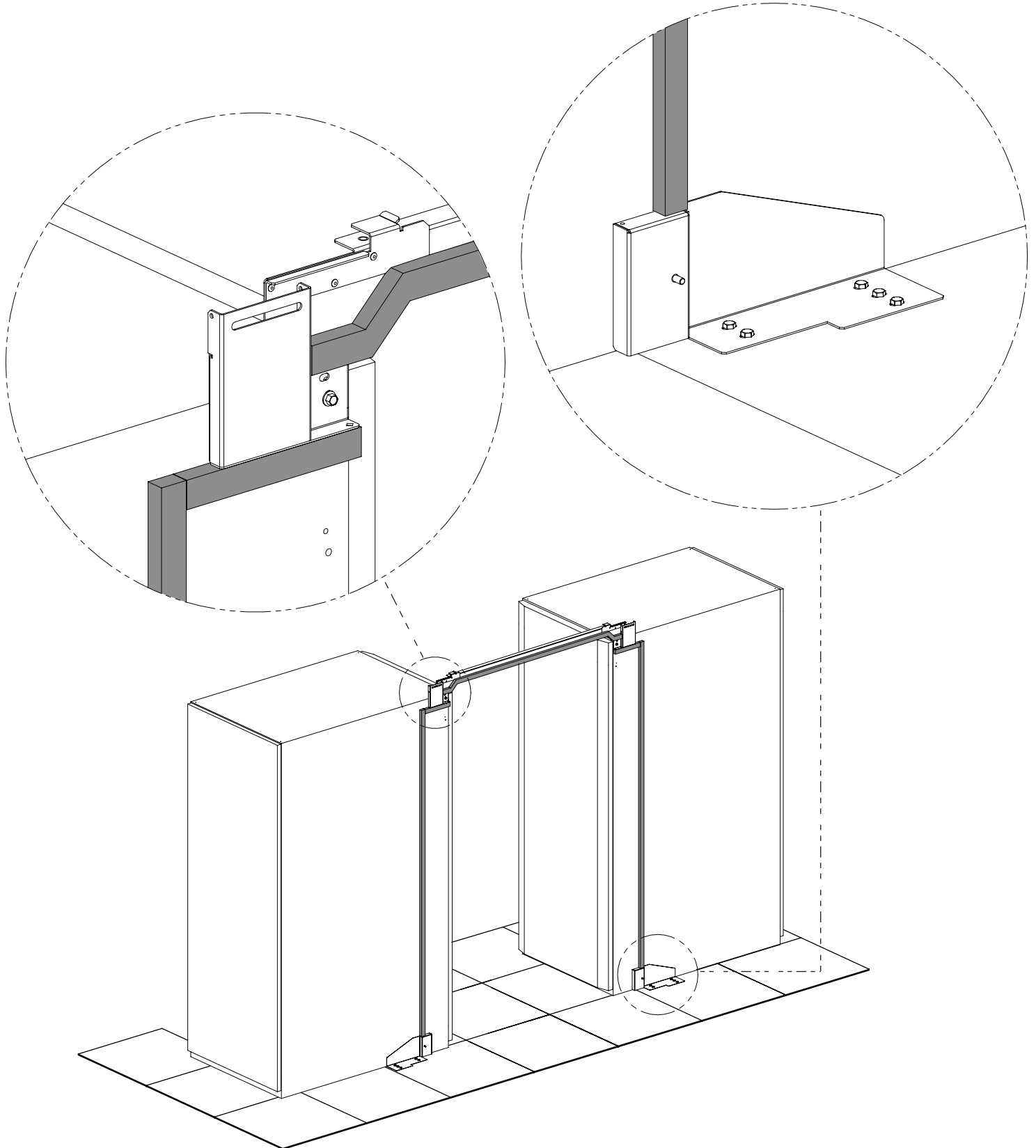


Lower slot

M6 x 1 x 10 Hex Head Screw
into previously installed cage nut
1 per side on S-Type Cabinet

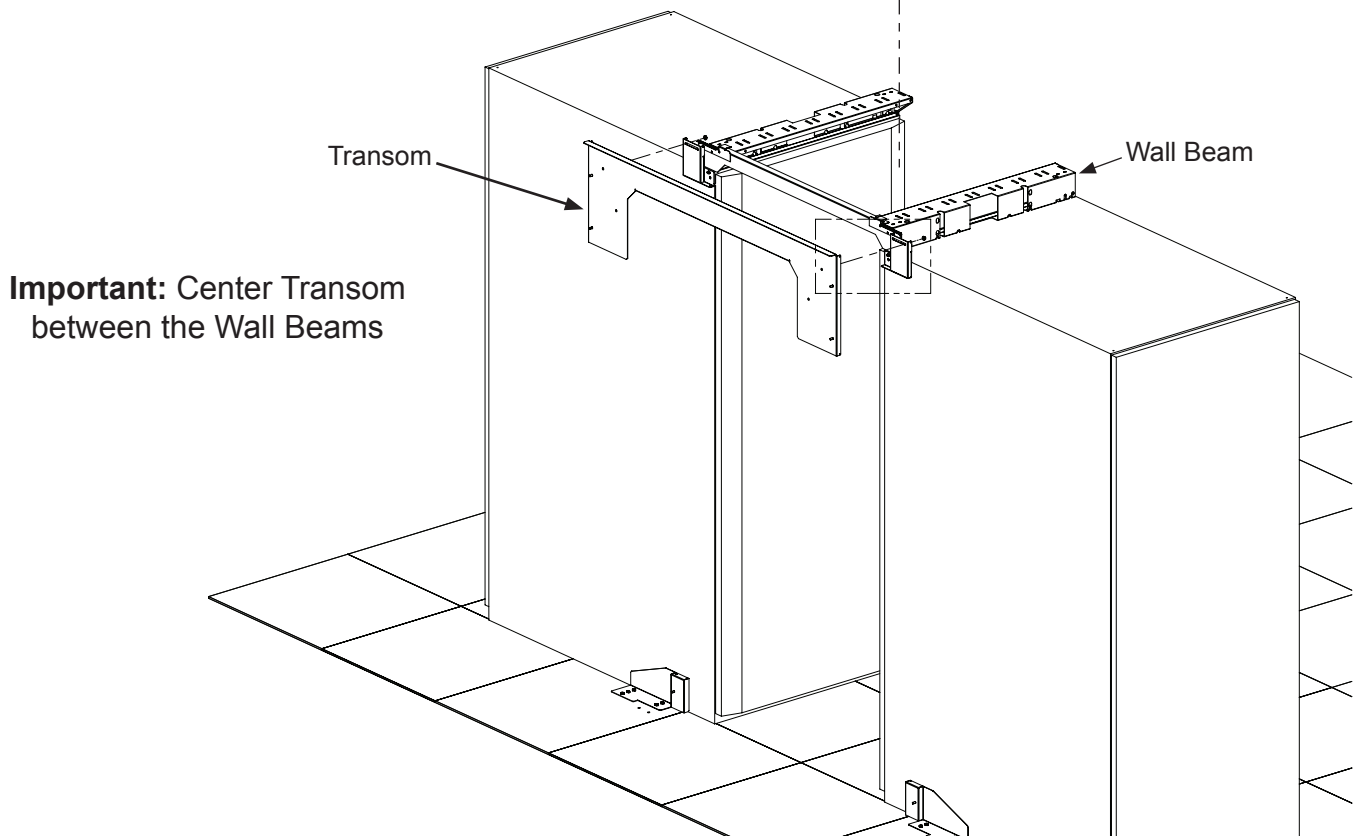
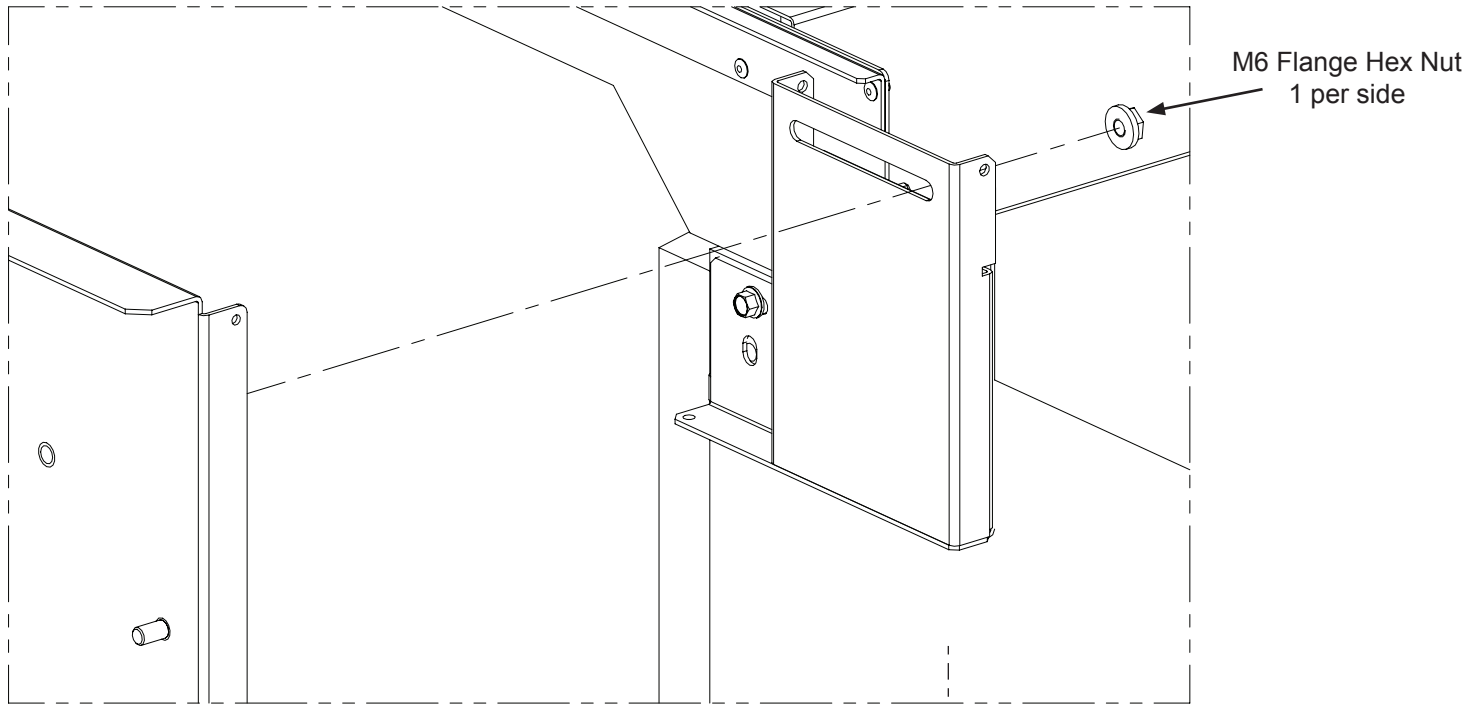
Attaching Foam Seal

- Attach Foam Seals in approximate locations shown below.
- The Aisle Beam only gets attached if a Roofing version is being installed.
- For a Vertical Wall system attach foam on cabinets only.



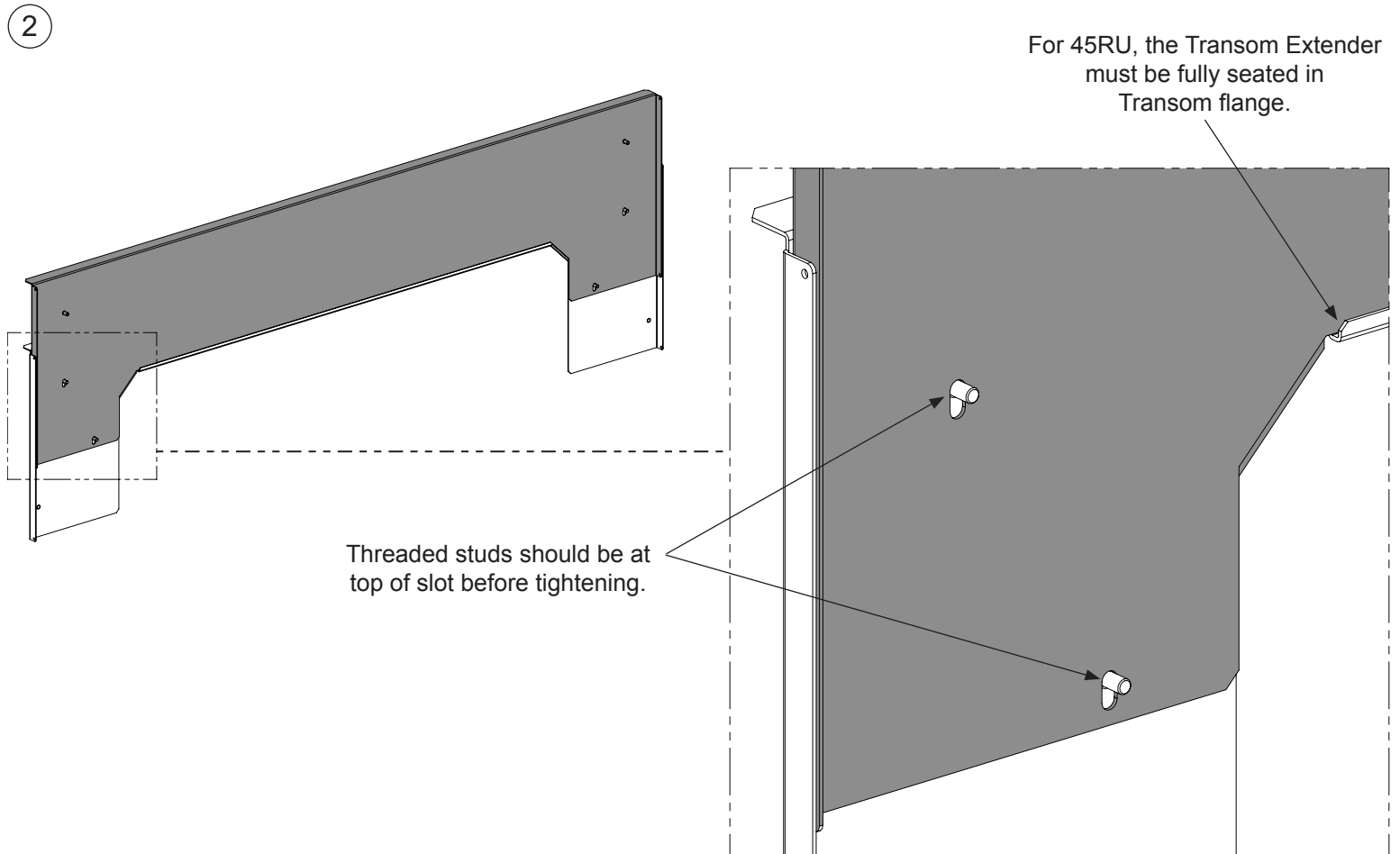
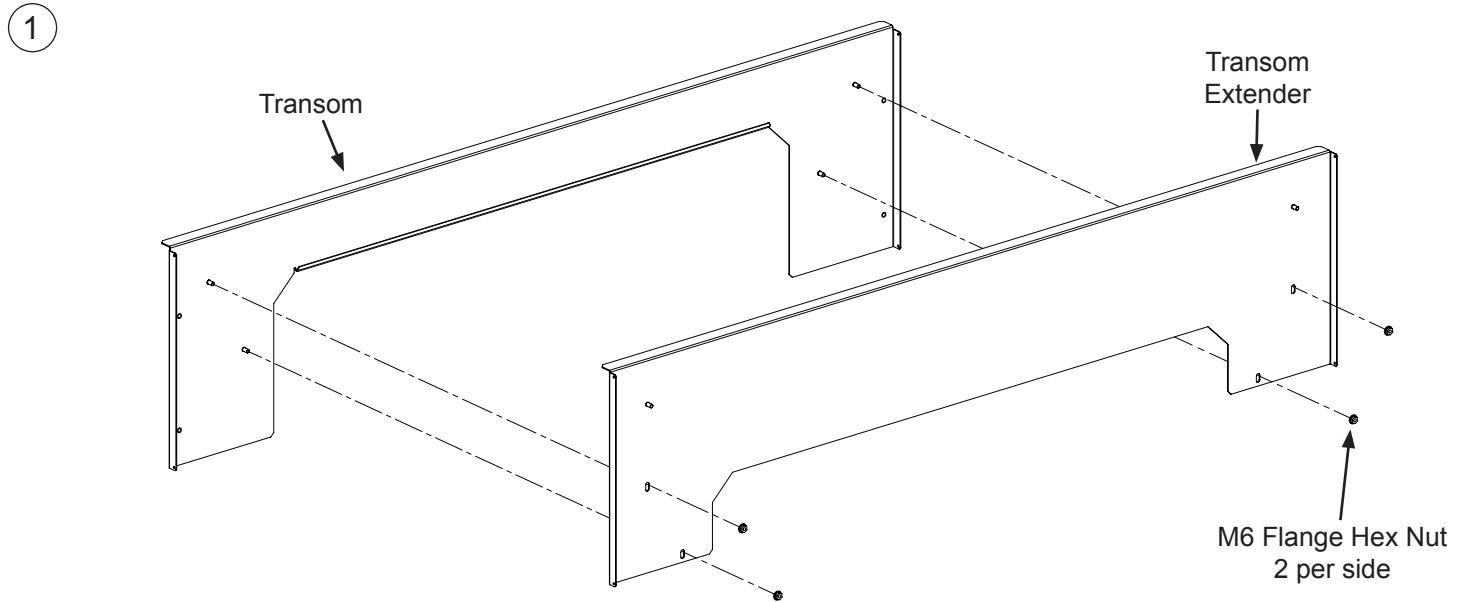
Attach Transom on 42RU or 48RU

- Attach Transom directly to lower RU heights of 42RU or 48RU without the Transom Extender.



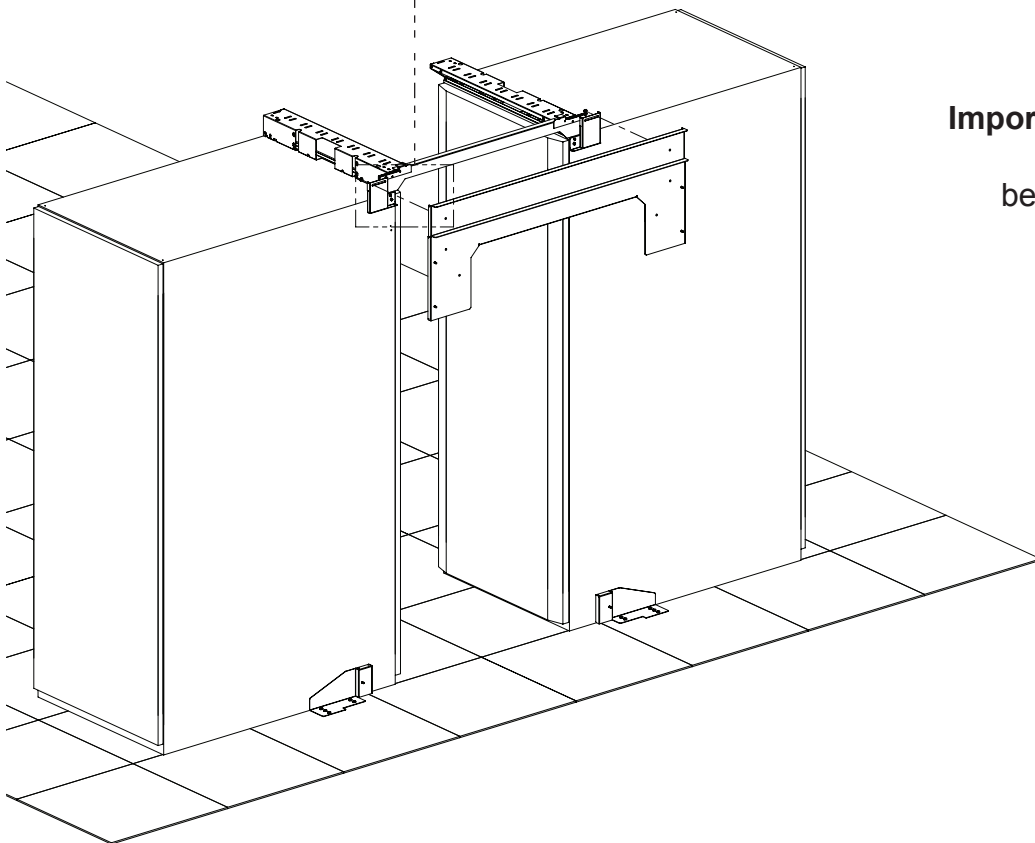
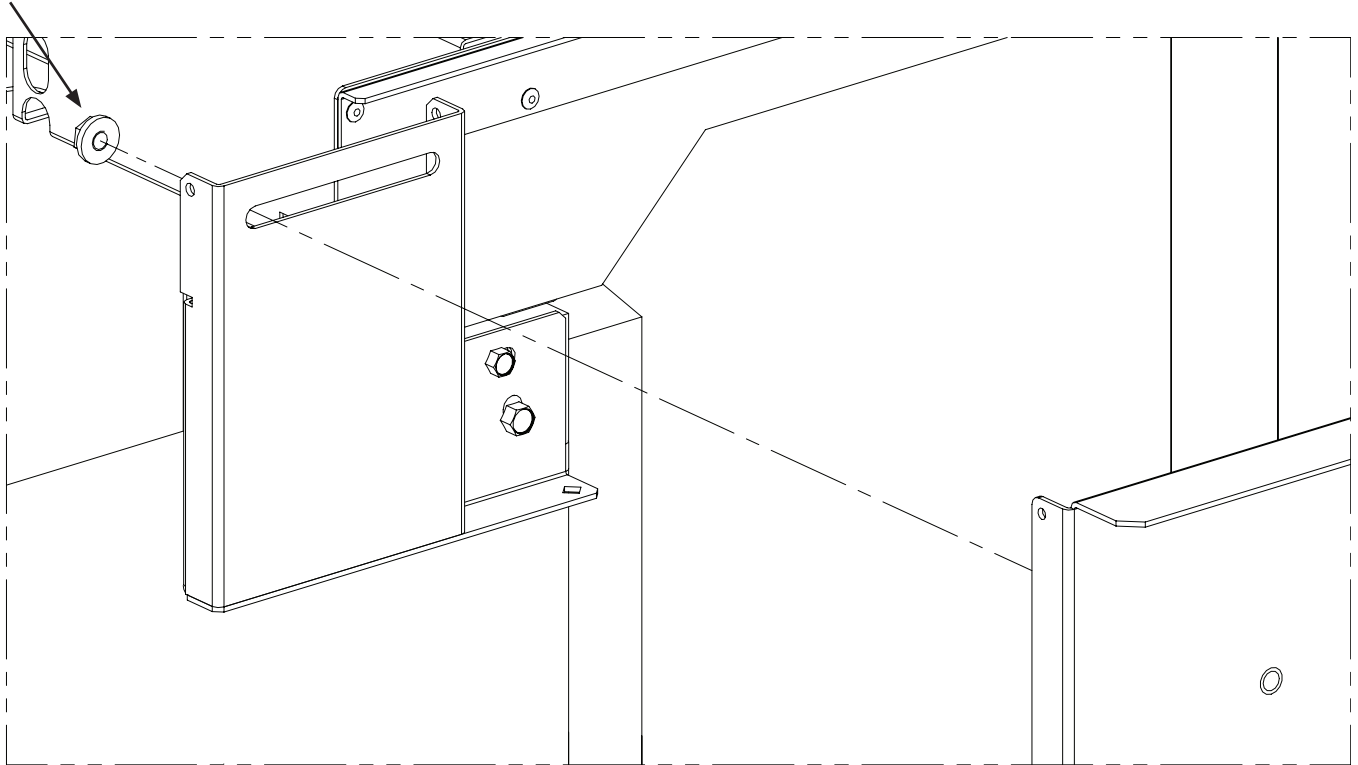
Attach Transom on 45RU or 51RU

- Attaching Transom to higher RU heights of 45RU or 51RU requires the assembly of the Transom to the Transom Extender.
- For the 45RU, the flange on the Transom must hook around the underside of the Transom Extender as shown in Figure 2.



3

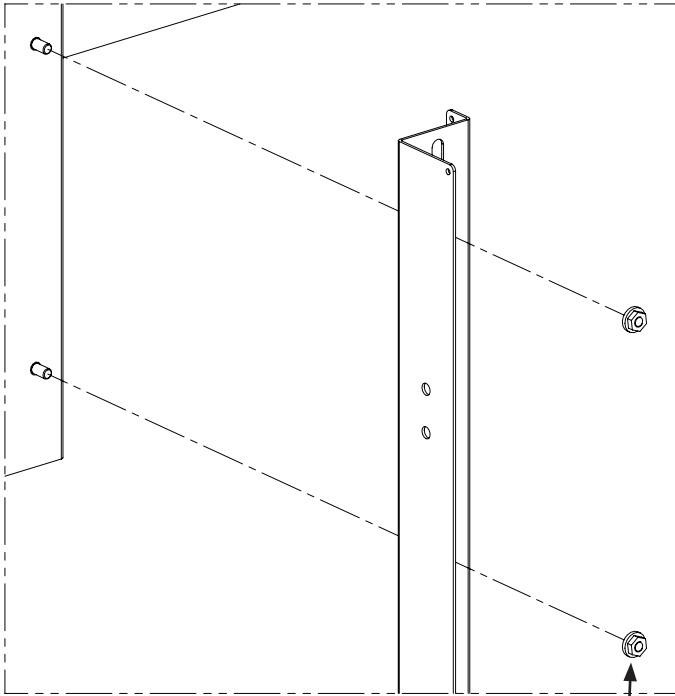
M6 Flange Hex Nut
1 per side



Important: Center Transom and
Transom Extender
between the Wall Beams

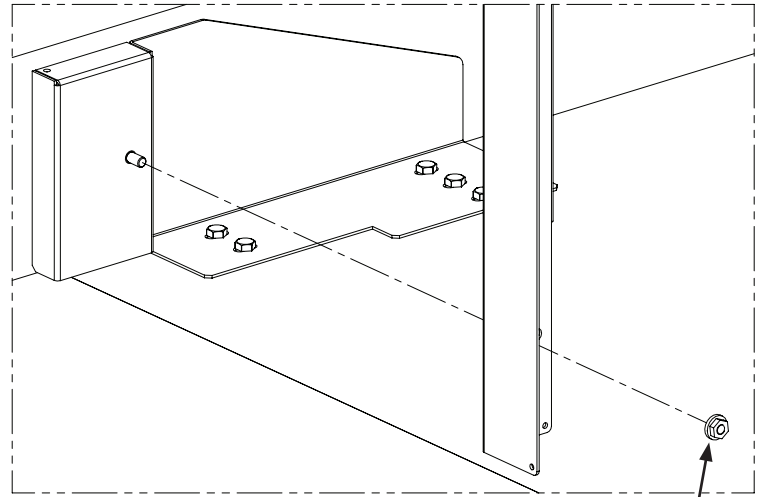
Attach Door Rails

Upper part of Door Rail

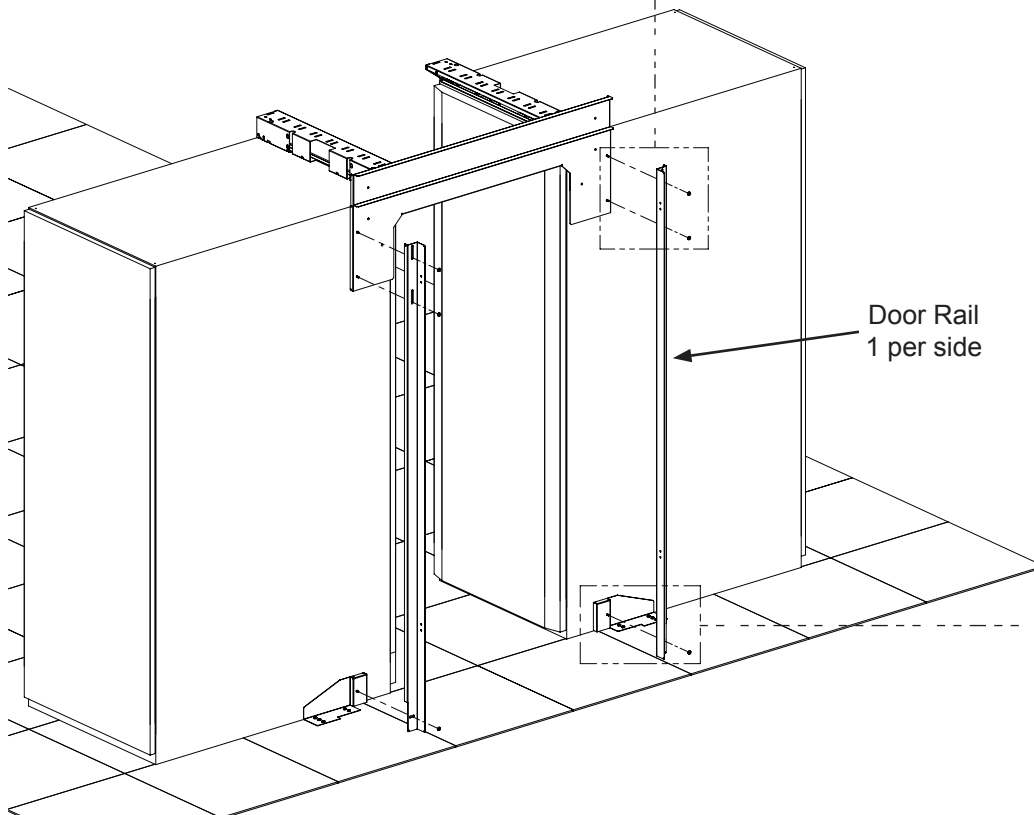


M6 Flange Hex Nut
2 per side
DO NOT TIGHTEN YET

Lower part of Door Rail

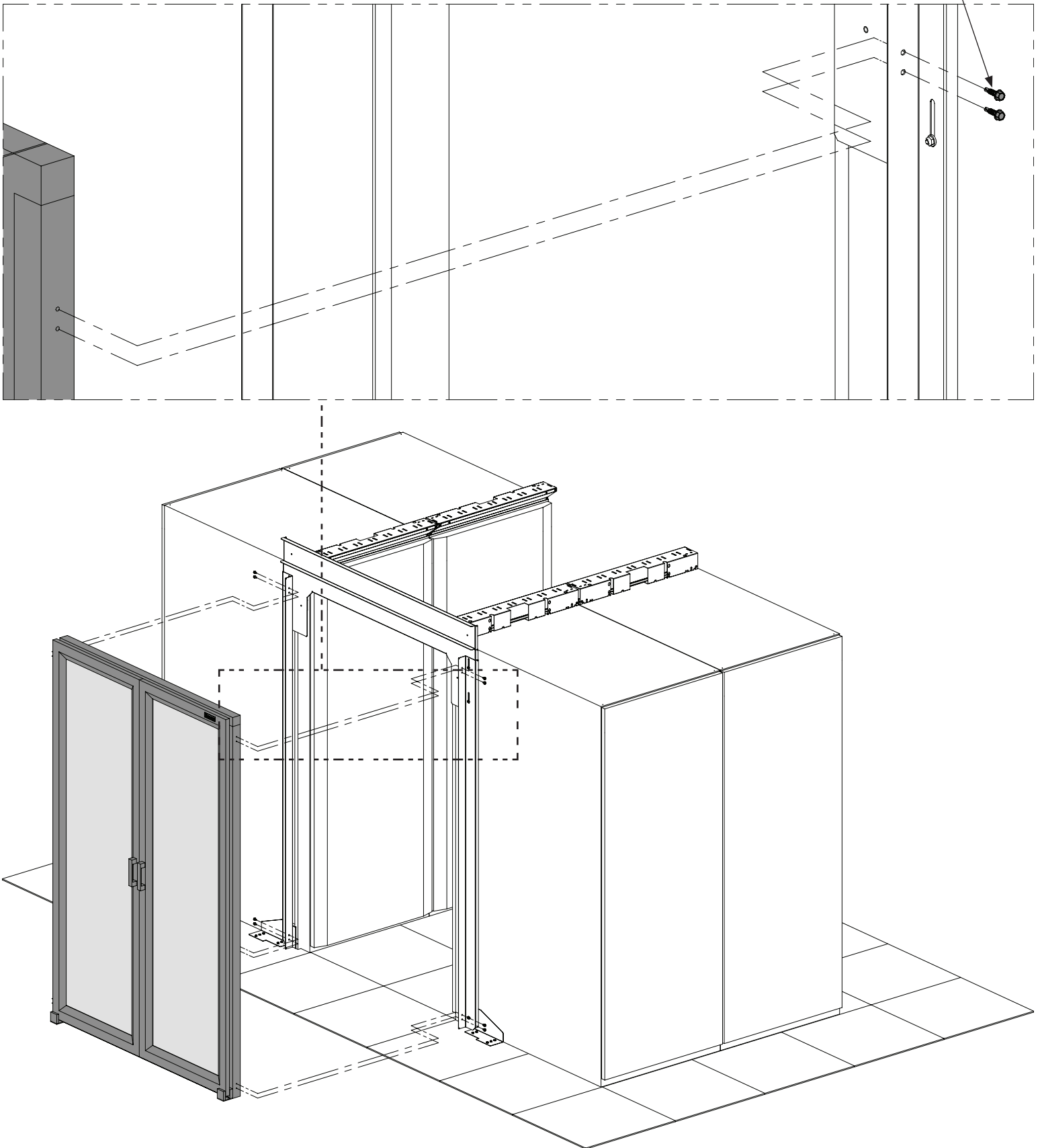


M6 Flange Hex Nut
1 per side
DO NOT TIGHTEN YET



Install Dual Door onto the Door Adapter Frame

(8) 1/4-14 Self Drilling Screw



SECTION 6

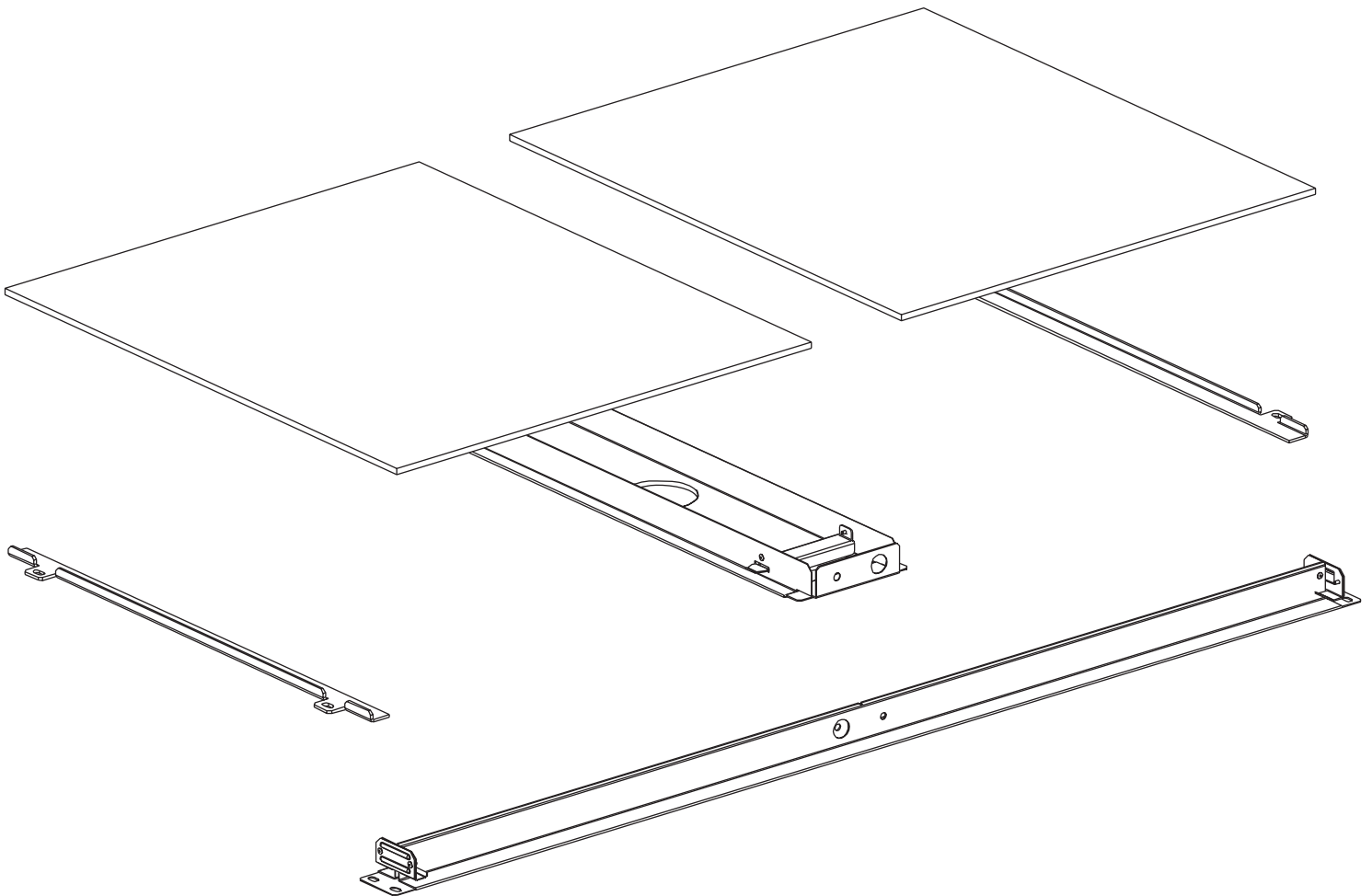
INSTALLATION OF CEILING STRUCTURE

Part Number(s)

C2CAC06F04IR**

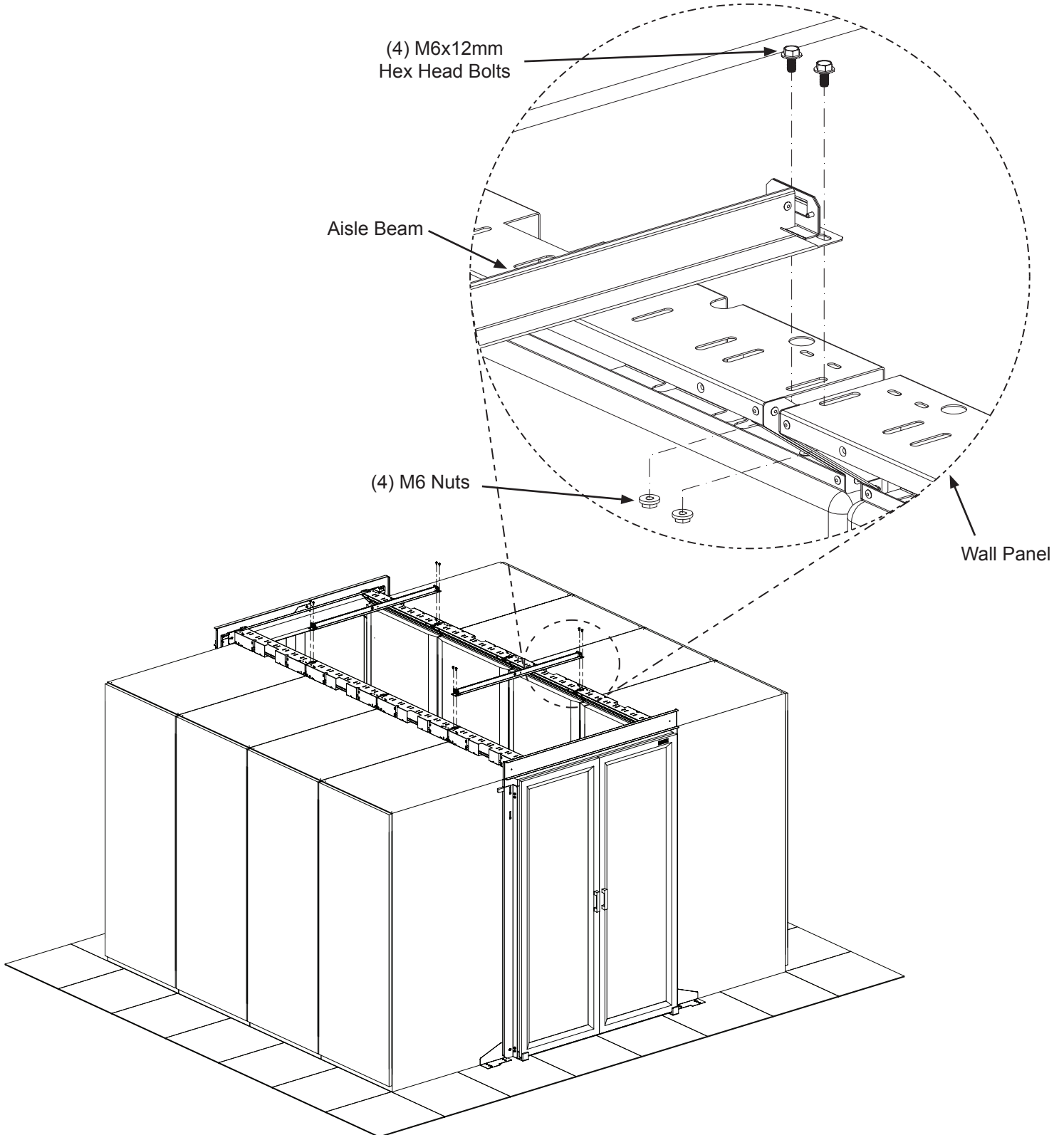
C2CAC07F04IR**

C2CAC08F04IR**



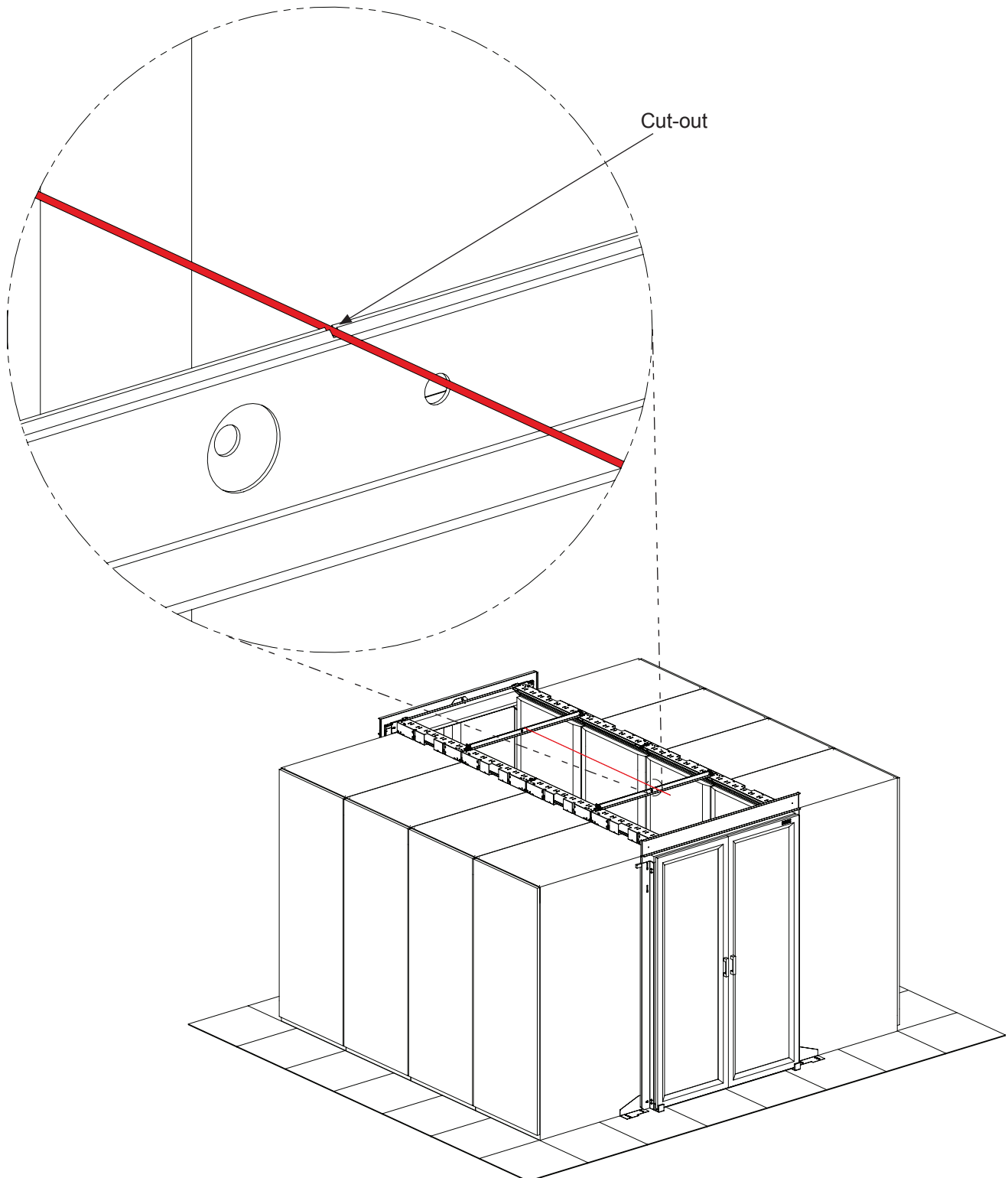
Initial Aisle Beam Installation

- Install (1) Aisle Beam into adjacent Wall Panels (1) cabinet in from the end of each POD.
- Center Aisle Beam across the aisle. Using the cut out located in the center of the Aisle Beam, position the beam equidistant from the Wall Panels. Example, 24" (609mm) from each Wall Panel.
- Secure Aisle Beam with (4) M6x12mm hex head bolts and (4) M6 nuts, as shown below.
- Repeat process at other end of row.



Aisle Beam Alignment

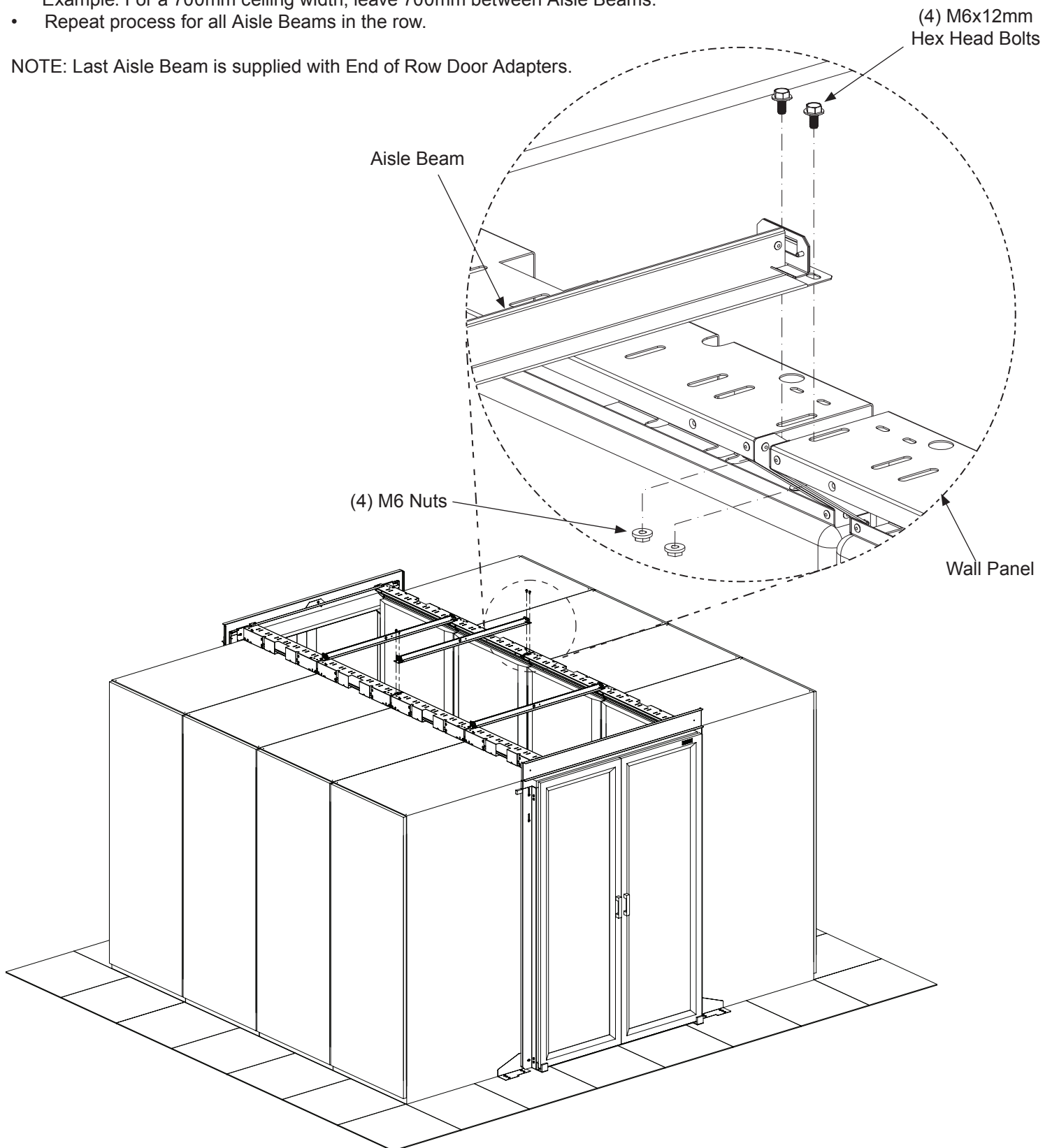
- Use a laser (or string if laser is not available) to set a base line from one end of the POD to the other.
- Use the in the middle of the Aisle Beam to set your base line.



Additional Aisle Beam Installation

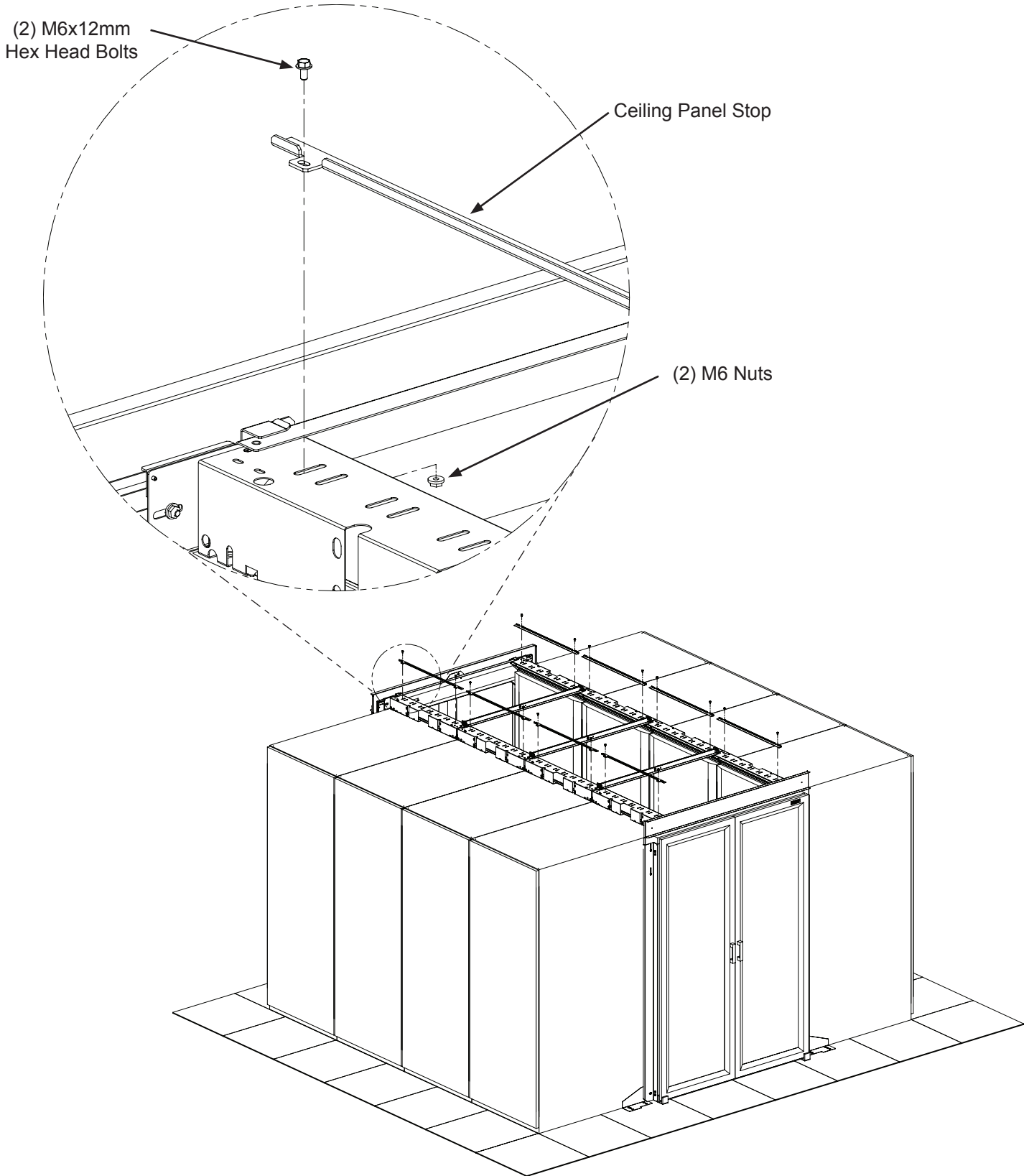
- Ensure Wall Panels are level
- Align the Aisle Beam Cut-outs to the laser or string set in previous step
- Secure Aisle Beam with (4) M6x12mm hex head bolts and (4) M6 nuts. (Space Aisle Beam appropriately apart. Example: For a 700mm ceiling width, leave 700mm between Aisle Beams.)
- Repeat process for all Aisle Beams in the row.

NOTE: Last Aisle Beam is supplied with End of Row Door Adapters.



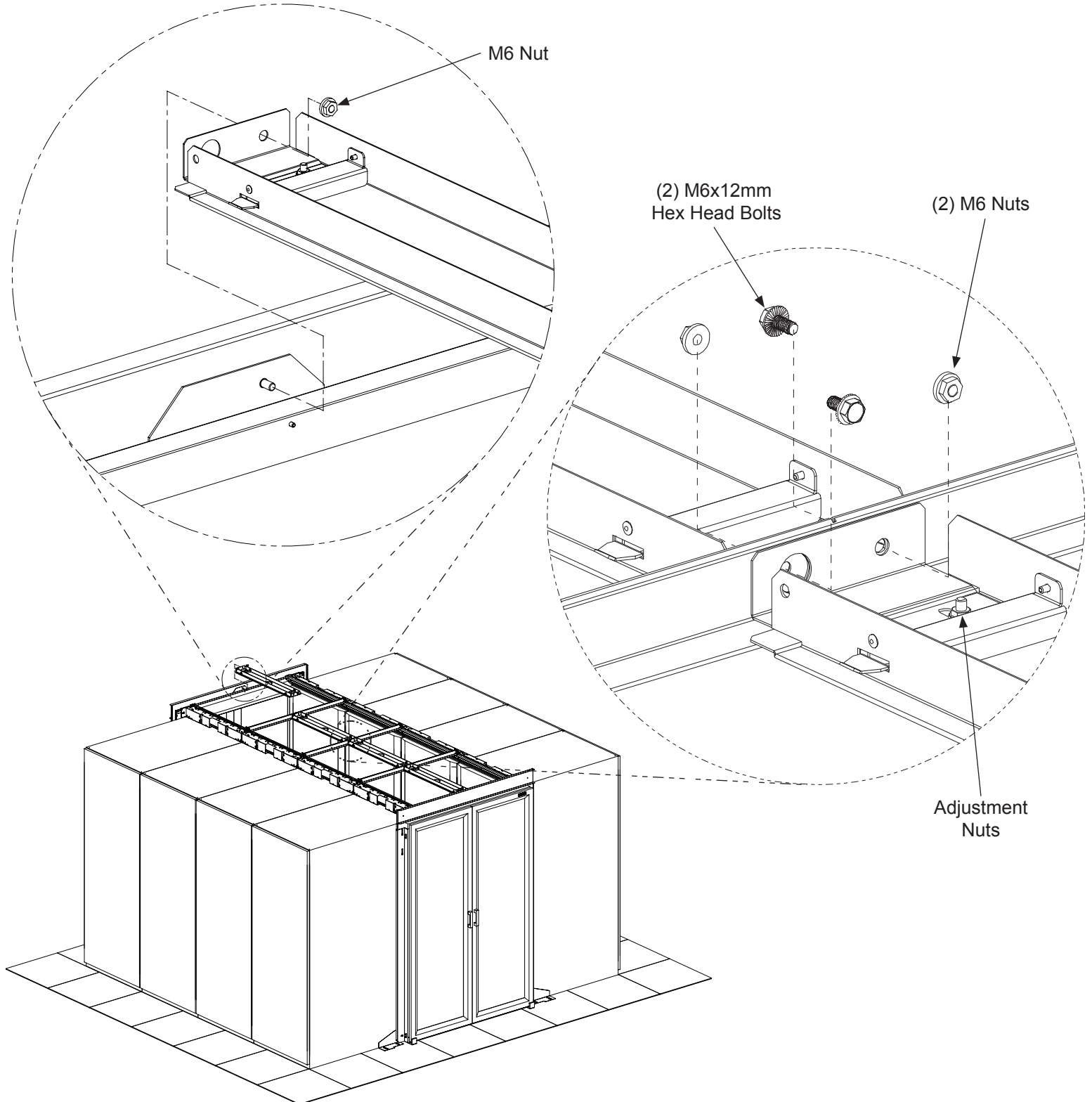
Ceiling Panel Stop Installation

- Attach (1) ceiling panel stop in between each set of aisle beams with (2) M6x12mm hex head bolts and (2) M6 nuts. (Leave loose)
- Slide each ceiling panel stop to the full back position.



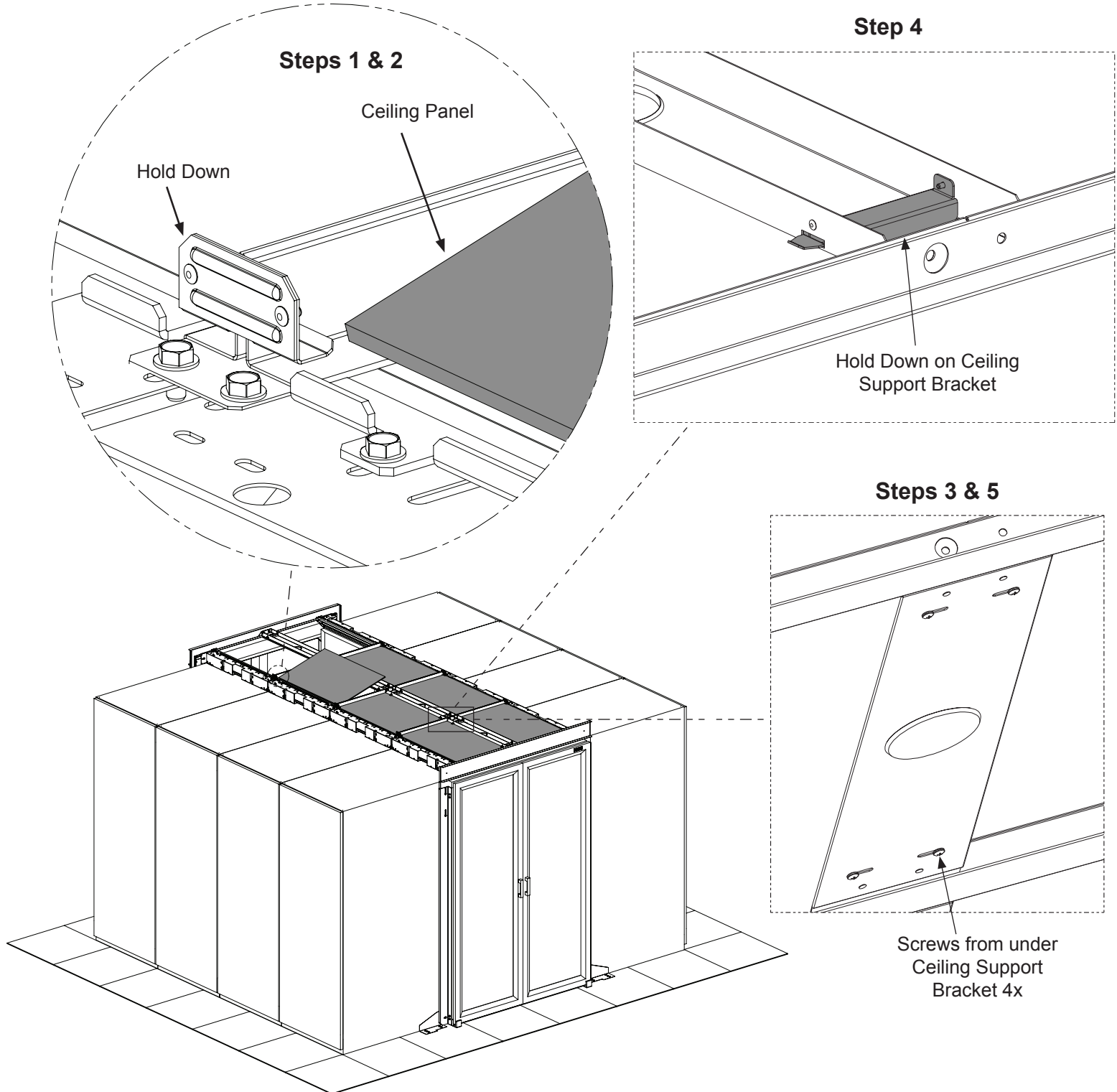
Ceiling Support Bracket Installation

- Place Ceiling Support Bracket in Alignment with holes in the Aisle Beams.
- Adjust width if needed using (2) adjustment nuts.
- Secure (2) Ceiling Support Brackets with (2) M6 x 12mm hex head bolts and (2) M6 nuts, as shown below.
- Repeat process for all Ceiling Support Brackets in the row.
- Secure the Support Bracket to the Door Adapters at each end with (1) M6 Nut.



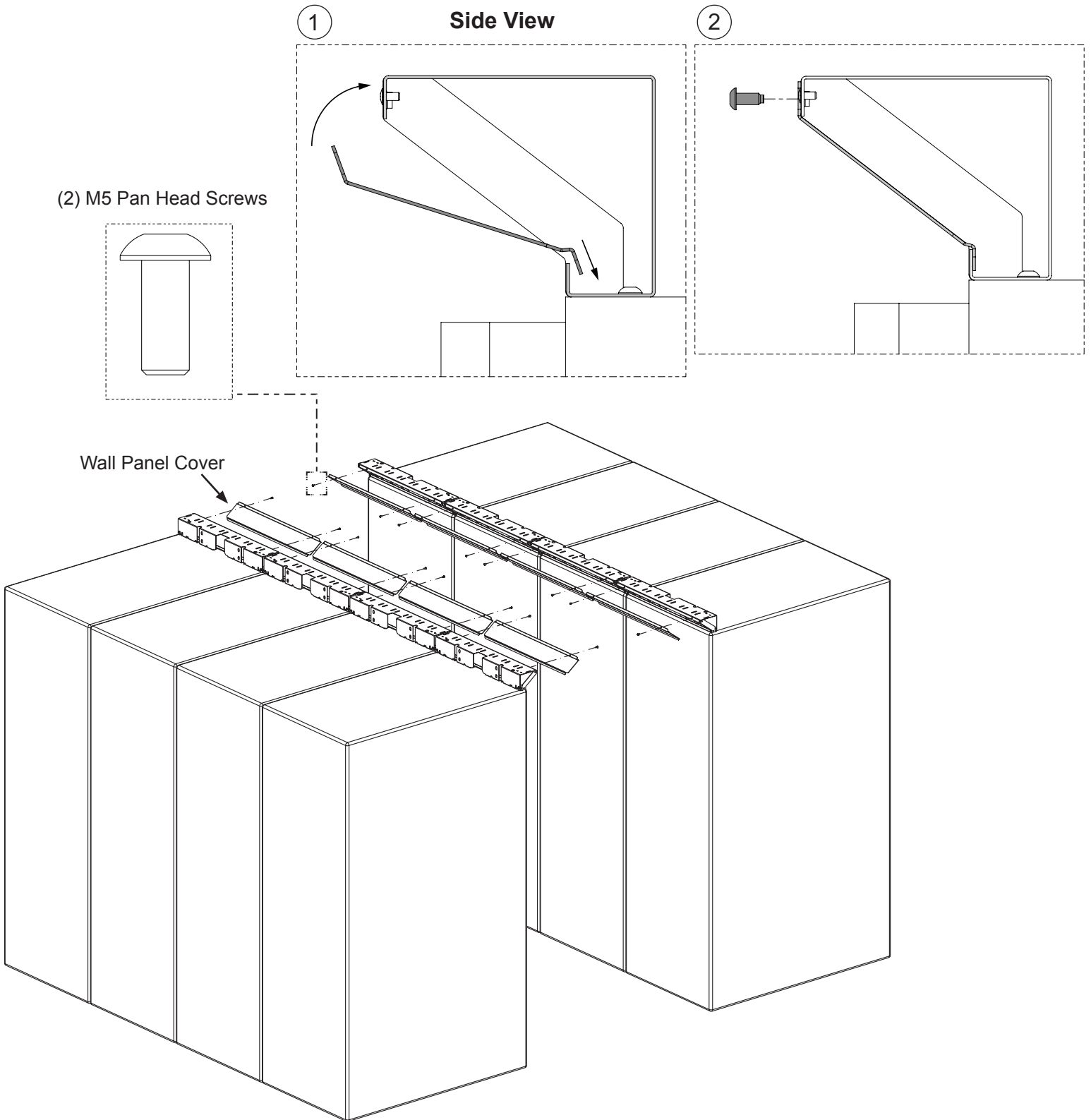
Ceiling Panel Installation

- Step 1: With Ceiling Panel on an angle, slide Ceiling Panel under hold down on Aisle Beam.
- Step 2: Slide Ceiling Panel Stop under Ceiling Panel and tighten hardware for Ceiling Panel Stop.
- Step 3: Loosen screws under the bottom of the Ceiling Support Bracket.
- Step 4: Slide hold down on Ceiling Support Bracket over top of Ceiling Panel.
- Step 5: Tighten screws under Ceiling Support Bracket.



Attaching Wall Panel Cover (Wall Panel Covers from Section 4)

- Using (2) M5 pan head screws, attach (1) Wall Panel Cover to each Wall Panel.
- NOTE: Ceiling and Door components missing from view for clarity purposes.



For Instructions in Local Languages
and Technical Support:

www.panduit.com/resources/install_maintain.asp

PANDUIT

www.panduit.com

E-mail:
techsupport@panduit.com

Phone:
866-405-6654