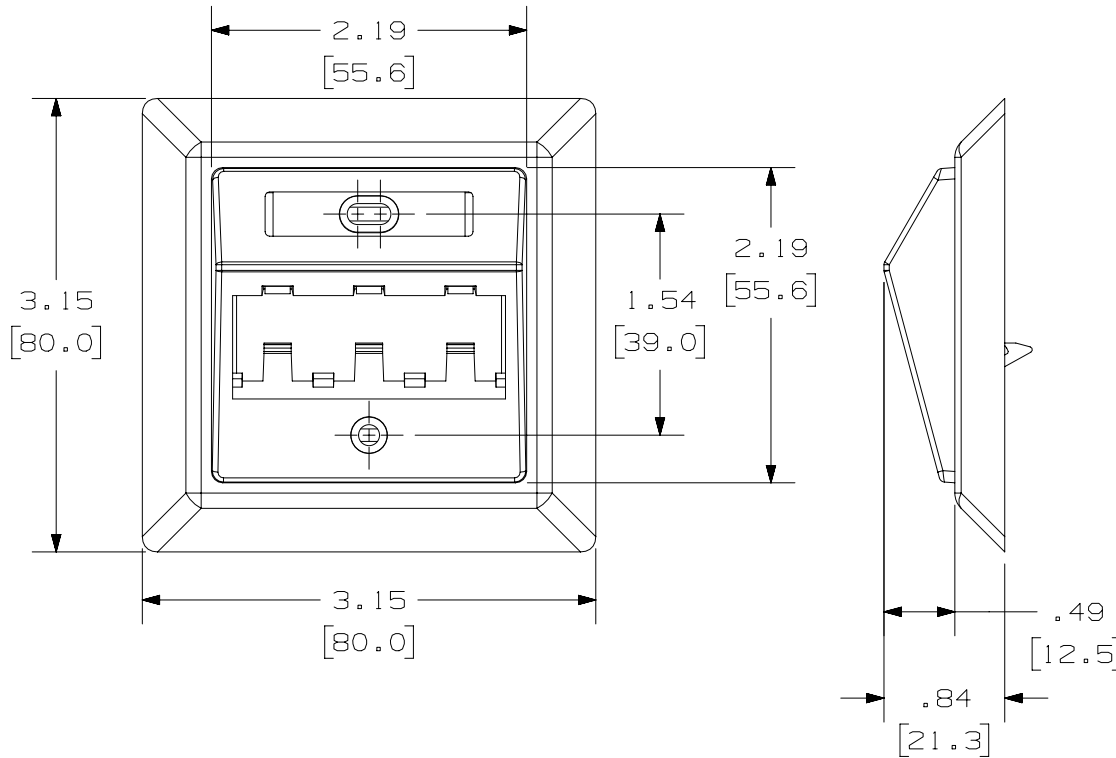


THIS COPY IS PROVIDED ON A RESTRICTED BASIS AND IS NOT TO BE USED IN ANY WAY DETRIMENTAL TO THE INTERESTS OF PANDUIT CORP.

| PANDUIT P/N | WEIGHT |
|-------------|---------------------------------------|
| CS3P6XTG** | 4.13 LB/10 PCS. (1873.3 g/10 PCS.) |



NOTES:

1. SEE CURRENT CATALOG FOR ADDITIONAL PART NUMBER SUFFIXES TO INDICATE COLOR AND OR PACKAGE QUANTITY.
2. SEE CATALOG FOR COMPLETE LIST OF PARTS APPLICABLE FOR USE WITH THIS PART.
3. DIMENSIONS IN [] ARE IN METRIC.
4. KIT INCLUDES:
 - 1- METAL MOUNTING PLATE
 - 1- SCREW
 - 1- LABEL/COVER
 - 1- CHES3**Y FACEPLATE
 - 1- FCFP** BEZEL
 - 3- MINI-COM TX6A 10GIG SHIELDED JACK MODULES

| | | | |
|--|----------|----------------------------------|-------|
| PART NUMBER | | CS3P6XTG** | |
| TITLE | | | |
| MINI-COM 3 POSITION SLOPED GERMAN FACEPLATE KIT WITH CAT 6A SHIELDED MODULES INCLUDED | | | |
| CUSTOMER DRAWING | | | |
| ITEM REVISION NAME | | 00452NAC/00 | |
| DATASET FILE NAME | | 00452NAC_DC04/00A | |
| UNLESS OTHERWISE SPECIFIED, DIMENSIONAL TOLERANCES ARE: IN (mm) | | MATERIAL: | |
| .x ± .1 [2.54] .xxx ± .005 [.127] | | | |
| .xx ± .01 [.25] ANGLES ± 5 ° | | DRAWING NUMBER: 00452NAC_DC04 | |
| THIRD ANGLE PROJECTION | | SHT 1 OF 1 | |
| DRAWN BY | DATE | CHK | SCALE |
| BJN | 11-30-17 | ROJC | NONE |
| REV | DATE | BY | CHK |
| | | APR | |
| DESCRIPTION | | ECN | SIZE |
| RELEASED TO PRODUCTION | | 00452NAC_DC04 | A |

D101000DA/14

2

1

2

1