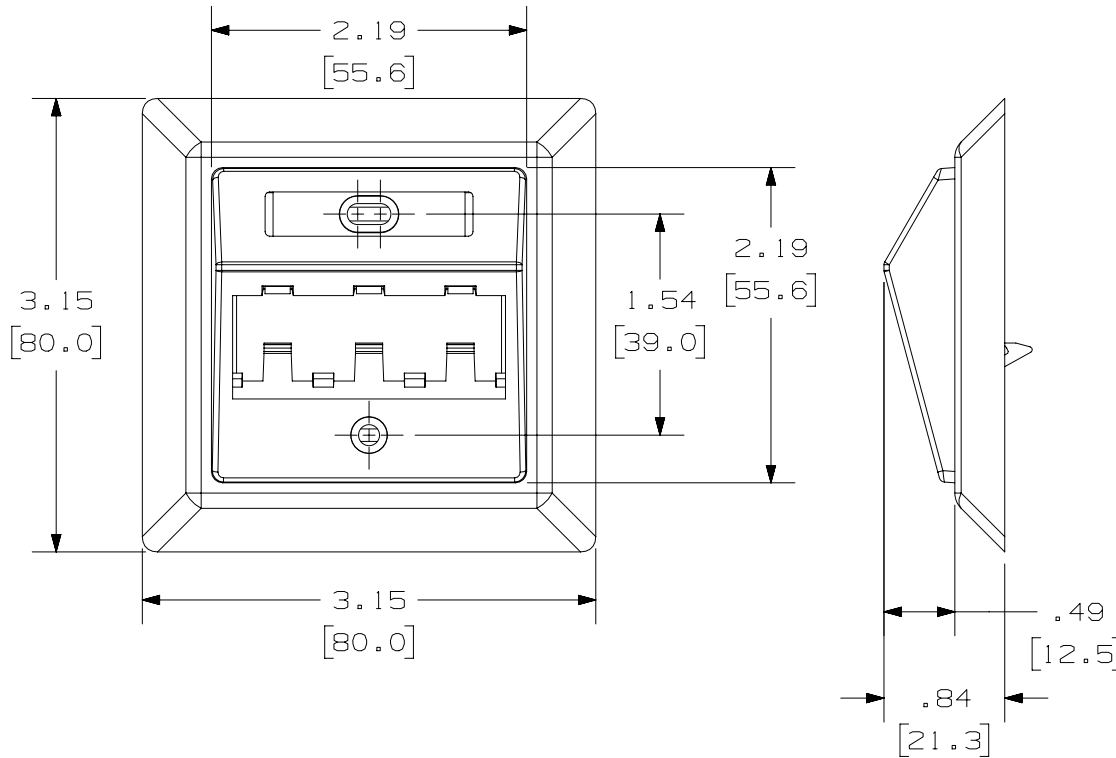


THIS COPY IS PROVIDED ON A RESTRICTED BASIS AND IS NOT TO BE USED IN ANY WAY DETRIMENTAL TO THE INTERESTS OF PANDUIT CORP.

PANDUIT P/N	WEIGHT
CS2P6XTG**	4.12 LB/10 PCS. (1869.3 g/10 PCS.)



NOTES:

- SEE CURRENT CATALOG FOR ADDITIONAL PART NUMBER SUFFIXES TO INDICATE COLOR AND OR PACKAGE QUANTITY.
- SEE CATALOG FOR COMPLETE LIST OF PARTS APPLICABLE FOR USE WITH THIS PART.
- DIMENSIONS IN [] ARE IN METRIC.
- KIT INCLUDES:
 - 1- METAL MOUNTING PLATE
 - 1- SCREW
 - 1- LABEL/COVER
 - 1- CHES3**Y FACEPLATE
 - 1- FCFP** BEZEL
 - 2- MINI-COM TX6A PLUS SHIELDED JACK MODULES
 - 1- MINI-COM BLANK MODULE

PART NUMBER		CS2P6XTG**	
TITLE			
MINI-COM 3 POSITION SLOPED GERMAN FACEPLATE KIT WITH 2 CAT6A SHIELDED MODULES AND 1 BLANK MODULE			
CUSTOMER DRAWING			
ITEM REVISION NAME		00452NAC/00	
DATASET FILE NAME		00452NAC_DC02/00A	
UNLESS OTHERWISE SPECIFIED, DIMENSIONAL TOLERANCES ARE: IN (mm)		MATERIAL:	
.x ± .1 [2.54]		.xxx ± .005 [.127]	
.xx ± .01 [.25]		ANGLES ± 5 °	
DRAWING NUMBER:		00452NAC-DC02	
THIRD ANGLE PROJECTION		DRAWING NUMBER:	
DRAWN BY		SCALE	
BJN		NONE	
DATE		SHT 1 OF 1	
1-2-18		A	
CHK		SIZE	
ROJC		A	

REV	DATE	BY	CHK	APR	DESCRIPTION	ECN
00A	1-2-18	BJN	ROJC	MMR	RELEASED TO PRODUCTION	00452NAC-DC02

D10100DA/14