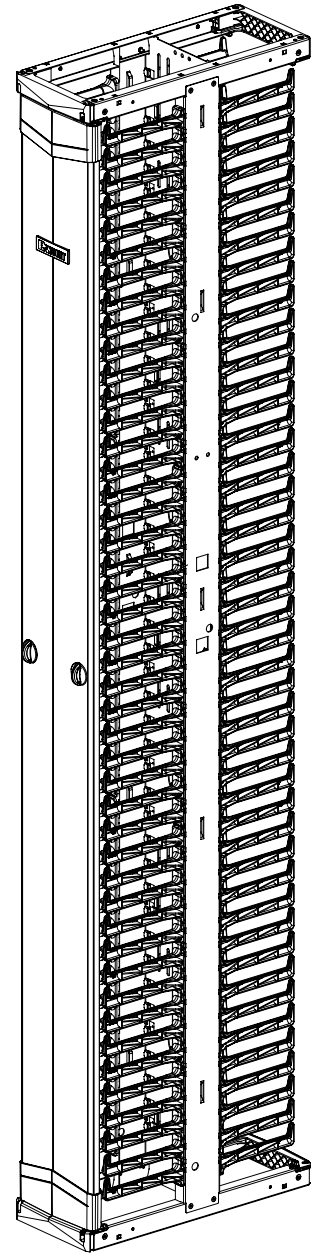
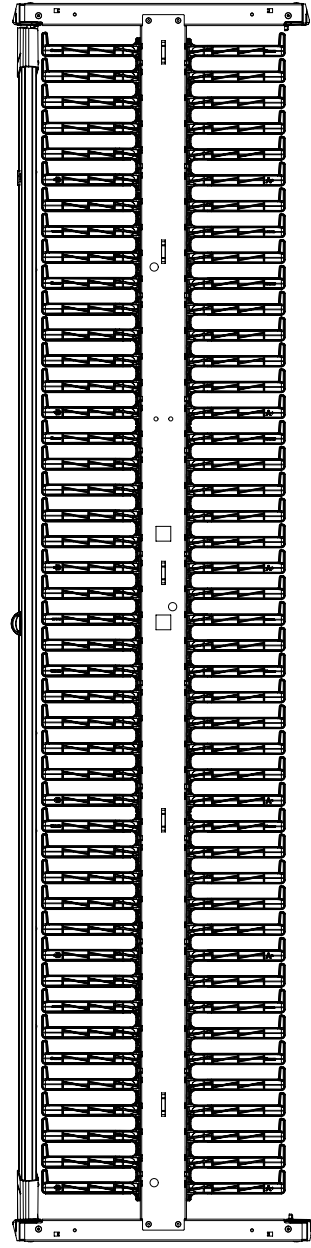
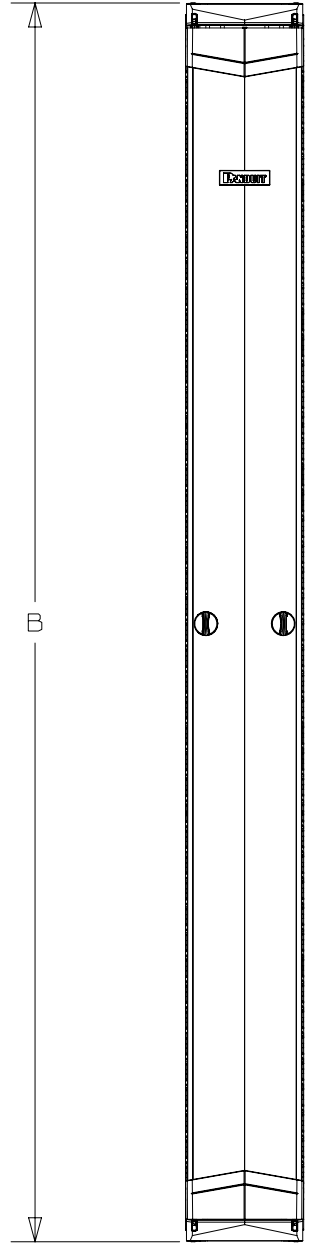


DISTANCE OF OPEN DOOR

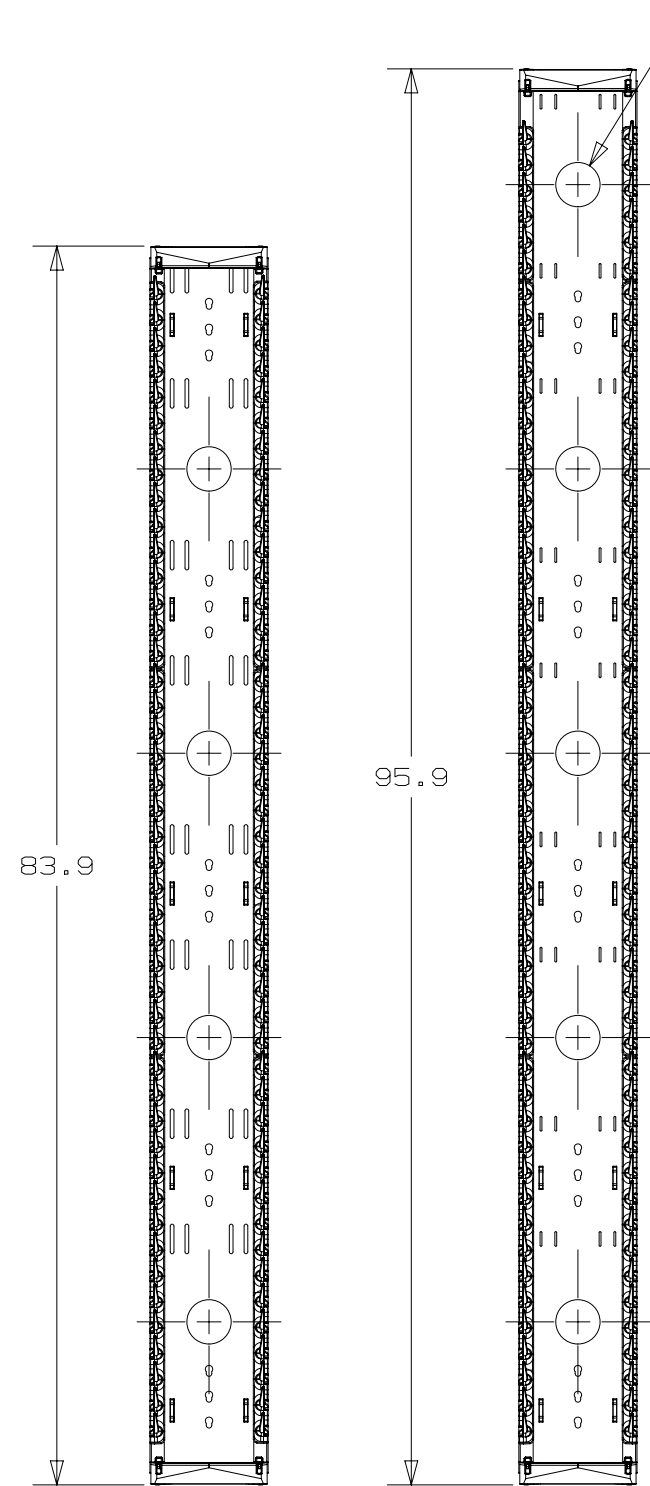


- NOTES:
- VISIT OUR ON-LINE CATALOG AT WWW.PANDUIT.COM FOR A LIST OF CURRENT PARTS APPLICABLE FOR USE WITH THIS PRODUCT.
  - DIMENSIONS IN [ ] ARE METRIC.
  - WEIGHT: SEE TABLE ON PAGE 3
  - PART INCLUDES:
    - 1- PATCHRUNNER 2 VERTICAL MANAGER, FRONT AND REAR FINGERS
    - 1- PATCHRUNNER 2 DUAL HINGE DOOR, FOR VERTICAL CABLE MANAGER
    - 1- HARDWARE KIT
  - CAN BE USED WITH ANY 19 OR 23 INCH EIA STANDARD RACK
  - ALL DIMENSIONS ARE REFERENCE ONLY.

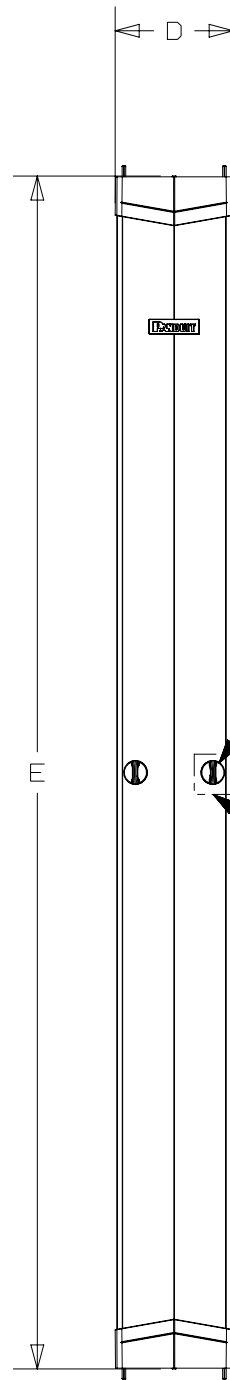
REV	DATE	BY	CHK	APR	DESCRIPTION	ECN
00B	4-17-18	BJN	JCO	JFK	ADDED ** TO 96" (8FT) PART NUMBERS	14V455MW-DC
00A	12-12-17	TWV	JCO	JFK	RELEASED TO PRODUCTION	14V455MW-DC

PART NUMBER		PR2VSD**	
TITLE			
PATCHRUNNER 2 VERTICAL CABLE MANAGER AND SINGLE DOOR, FRONT AND REAR FINGERS			
CUSTOMER DRAWING			
ITEM REVISION NAME		14V455MW/00	
DATASET FILE NAME		14V455MW_DC/00B	
UNLESS OTHERWISE SPECIFIED, DIMENSIONAL TOLERANCES ARE: IN [ mm ]			<b>PANDUIT</b> MATERIAL: BACKBONE & DOOR SKIN: STEEL FINGERS, CROSSBARS, DOOR ENDS, DOOR KNOBS: ABS HINGE PINS & HINGE LATCHES: POLYCARBONATE
THIRD ANGLE PROJECTION			
DRAWN BY		DATE	
TWV		12-12-17	
CHK		SCALE	
JCO		NONE	
DRAWING NUMBER:			SIZE
14V455MW-DC			B
SHT 1 OF 3			

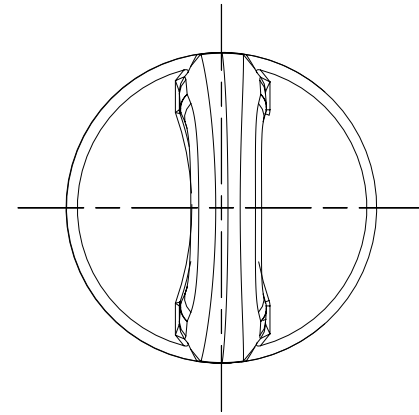
D10100DB/17



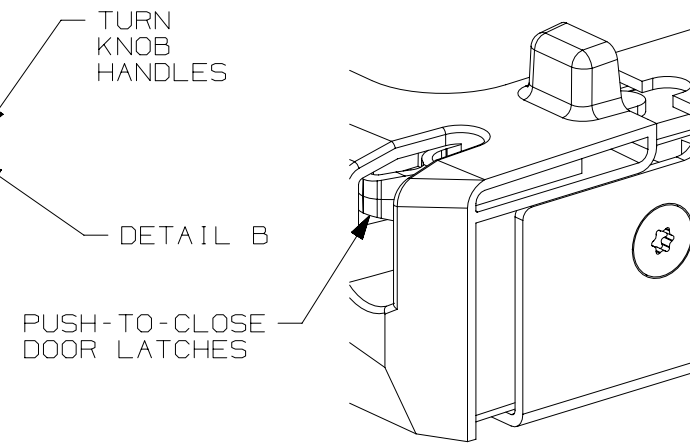
CABLE MANAGER SHOWN WITHOUT DOOR



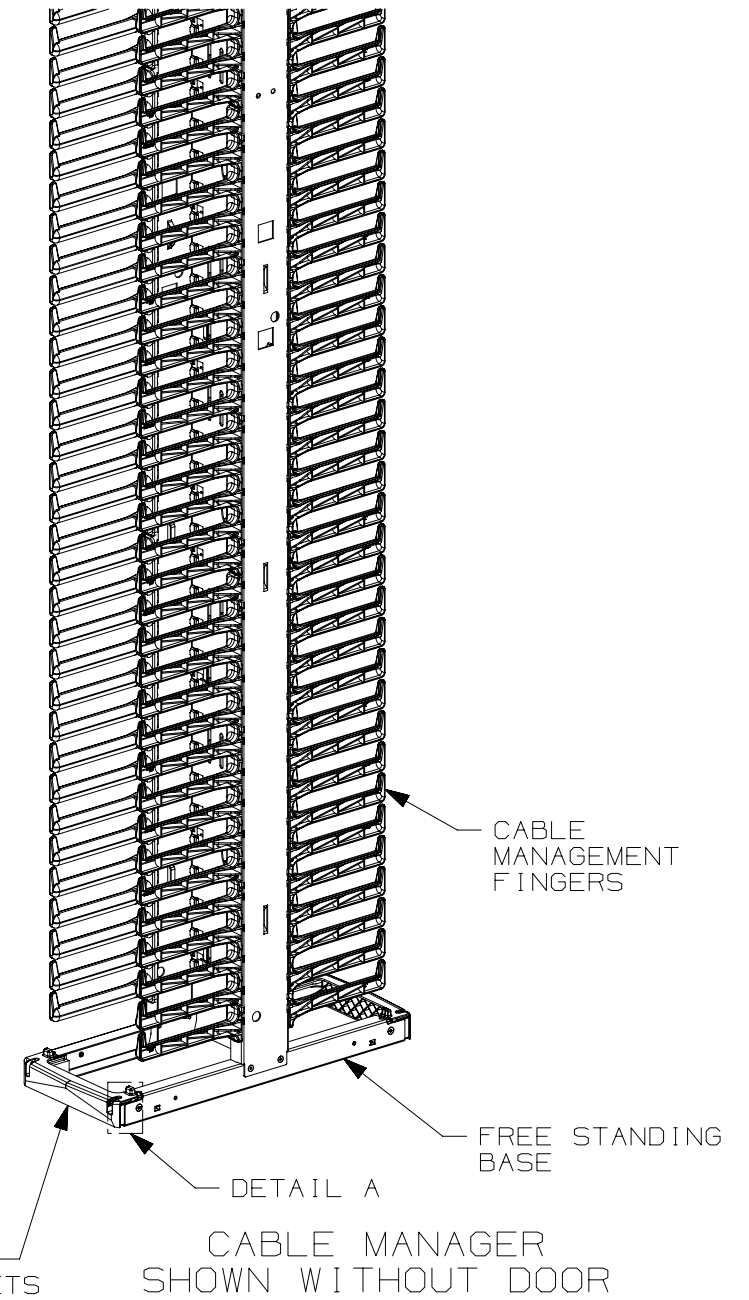
DOOR



DETAIL B SCALE 1:1



DETAIL A SCALE 1:1



CABLE MANAGER SHOWN WITHOUT DOOR

PART NUMBER		PR2VSD**	
TITLE			
PATCHRUNNER 2 VERTICAL CABLE MANAGER AND SINGLE DOOR, FRONT AND REAR FINGERS			
CUSTOMER DRAWING			
ITEM REVISION NAME		14V455MW/00	
DATASET FILE NAME		14V455MW_DC/00B	
UNLESS OTHERWISE SPECIFIED, DIMENSIONAL TOLERANCES ARE: IN [ mm ]			<b>PANDUIT</b> MATERIAL: BACKBONE & DOOR SKIN: STEEL FINGERS, CROSSBARS, DOOR ENDS, DOOR KNOBS: ABS HINGE PINS & HINGE LATCHES: POLYCARBONATE
THIRD ANGLE PROJECTION			
DRAWN BY	DATE	CHK	SCALE
TWV	12-12-17	JCO	NONE
DRAWING NUMBER:		14V455MW-DC	
SHT 2 OF 3		SIZE B	


REV	DATE	BY	CHK	APR	DESCRIPTION	ECN
00B	4-17-18	BJN	JCO	JFK	SEE SHEET 1 FOR REVISION HISTORY	14V455MW-DC
00A	12-12-17	TWV	JCO	JFK	SEE SHEET 1 FOR REVISION HISTORY	14V455MW-DC

D10100DB/17

PART NO.	DESCRIPTION	A=OVERALL WIDTH		B=OVERALL HEIGHT		C=OVERALL DEPTH		D=DOOR WIDTH		E=DOOR HEIGHT		F=DOOR OPENING DEPTH		MANAGER AND DOOR FULLY UNPACKED WEIGHT	MANAGER AND DOOR SHIPPING WEIGHT
		INCHES	MM	INCHES	MM	INCHES	MM	INCHES	MM	INCHES	MM	INCHES	MM		
PR2VSD06**	PATCHRUNNER 2 VERTICAL MANAGER AND SINGLE DOOR, 6in WIDE, 7ft TALL, FRONT AND REAR	6.00	152.4	83.88	2130.4	20.2	526.4	5.99	152.1	80.77	2051.6	4.62	117.3	41.19 LBS EACH [ 18.7 KG EACH ]	43.19 LBS EACH [ 19.6 KG EACH ]
PR2VSD08**	PATCHRUNNER 2 VERTICAL MANAGER AND SINGLE DOOR, 8in WIDE, 7ft TALL, FRONT AND REAR	8.00	203.2	83.88	2130.4	20.2	526.4	7.99	202.9	80.77	2051.5	6.60	167.7	46 LBS EACH [ 20.9 KG EACH ]	48 LBS EACH [ 21.8 KG EACH ]
PR2VSD10**	PATCHRUNNER 2 VERTICAL MANAGER AND SINGLE DOOR, 10in WIDE, 7ft TALL, FRONT AND REAR	10.00	254.0	83.88	2130.4	20.2	526.4	9.99	253.7	80.82	2052.9	8.60	218.4	50.88 LBS EACH [ 23.1 KG EACH ]	52.88 LBS EACH [ 24 KG EACH ]
PR2VSD12**	PATCHRUNNER 2 VERTICAL MANAGER AND SINGLE DOOR, 12in WIDE, 7ft TALL, FRONT AND REAR	12.00	304.8	83.88	2130.4	20.2	526.4	11.99	304.5	80.81	2052.6	10.60	269.2	55.7 LBS EACH [ 25.3 KG EACH ]	57.7 LBS EACH [ 26.2 KG EACH ]
PR2VSD0696**	PATCHRUNNER 2 VERTICAL MANAGER AND SINGLE DOOR, 6in WIDE, 8ft TALL, FRONT AND REAR	6.00	152.4	95.88	2435.2	20.2	526.4	5.99	152.1	92.77	2356.4	4.62	117.3	46.02 LBS EACH [ 20.9 KG EACH ]	48.02 LBS EACH [ 21.8 KG EACH ]
PR2VSD0896**	PATCHRUNNER 2 VERTICAL MANAGER AND SINGLE DOOR, 8in WIDE, 8ft TALL, FRONT AND REAR	8.00	203.2	95.88	2435.2	20.2	526.4	7.99	202.9	92.77	2356.3	6.60	167.7	51.46 LBS EACH [ 23.3 KG EACH ]	53.46 LBS EACH [ 24.2 KG EACH ]
PR2VSD1096**	PATCHRUNNER 2 VERTICAL MANAGER AND SINGLE DOOR, 10in WIDE, 8ft TALL, FRONT AND REAR	10.00	254.0	95.88	2435.2	20.2	526.4	9.99	253.7	92.82	2357.7	8.60	218.4	56.96 LBS EACH [ 25.8 KG EACH ]	58.96 LBS EACH [ 26.7 KG EACH ]
PR2VSD1296**	PATCHRUNNER 2 VERTICAL MANAGER AND SINGLE DOOR, 12in WIDE, 8ft TALL, FRONT AND REAR	12.00	304.8	95.88	2435.2	20.2	526.4	11.99	304.5	92.81	2357.4	10.60	269.2	62.4 LBS EACH [ 28.3 KG EACH ]	64.4 LBS EACH [ 29.2 KG EACH ]
PR2VSD0679	PATCHRUNNER 2 VERTICAL MANAGER AND SINGLE DOOR, 6in WIDE, 6.5ft TALL, FRONT AND REAR	6.00	152.4	78.88	2003.4	20.2	526.4	5.99	152.1	75.77	1924.6	4.62	117.3	39.02 LBS EACH [ 17.7 KG EACH ]	41.02 LBS EACH [ 18.6 KG EACH ]
PR2VSD1279	PATCHRUNNER 2 VERTICAL MANAGER AND SINGLE DOOR, 12in WIDE, 6.5ft TALL, FRONT AND REAR	12.00	304.8	78.88	2003.4	20.2	526.4	11.99	304.5	75.77	1924.6	10.60	269.2	52.76 LBS EACH [ 23.9 KG EACH ]	54.76 LBS EACH [ 24.8 KG EACH ]

\*\*DENOTES COLOR  
NONE=BLACK  
WH=WHITE

REV	DATE	BY	CHK	APR	DESCRIPTION	ECN
00B	4-17-18	BJN	JCO	JFK	SEE SHEET 1 FOR REVISION HISTORY	14V455MW-DC
00A	12-12-17	TWV	JCO	JFK	SEE SHEET 1 FOR REVISION HISTORY	14V455MW-DC

PART NUMBER		PR2VSD**	
TITLE			
PATCHRUNNER 2 VERTICAL CABLE MANAGER AND SINGLE DOOR, FRONT AND REAR FINGERS		CUSTOMER DRAWING	
ITEM REVISION NAME		14V455MW/00	
DATASET FILE NAME		14V455MW_DC/00B	
UNLESS OTHERWISE SPECIFIED, DIMENSIONAL TOLERANCES ARE: IN [ mm ]			
DRAWING NUMBER:		14V455MW-DC	
DRAWN BY	DATE	CHK	SCALE
TWV	12-12-17	JCO	NONE
THIRD ANGLE PROJECTION		SHT 3 OF 3	
SIZE		B	