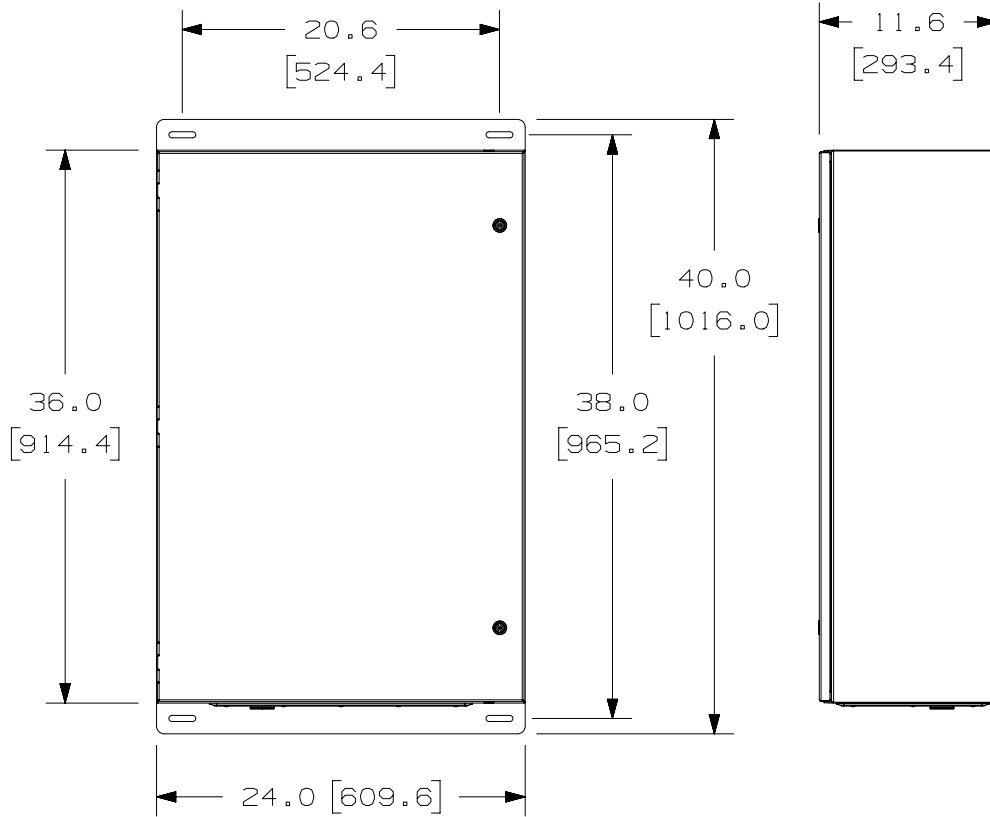


THIS COPY IS PROVIDED ON A RESTRICTED BASIS AND IS NOT TO BE USED IN ANY WAY DETRIMENTAL TO THE INTERESTS OF PANDUIT CORP.



WIDTH	HEIGHT	DEPTH	WEIGHT
24.0"	36.0"	11.6"	110 LBS 50 KG

NOTES:

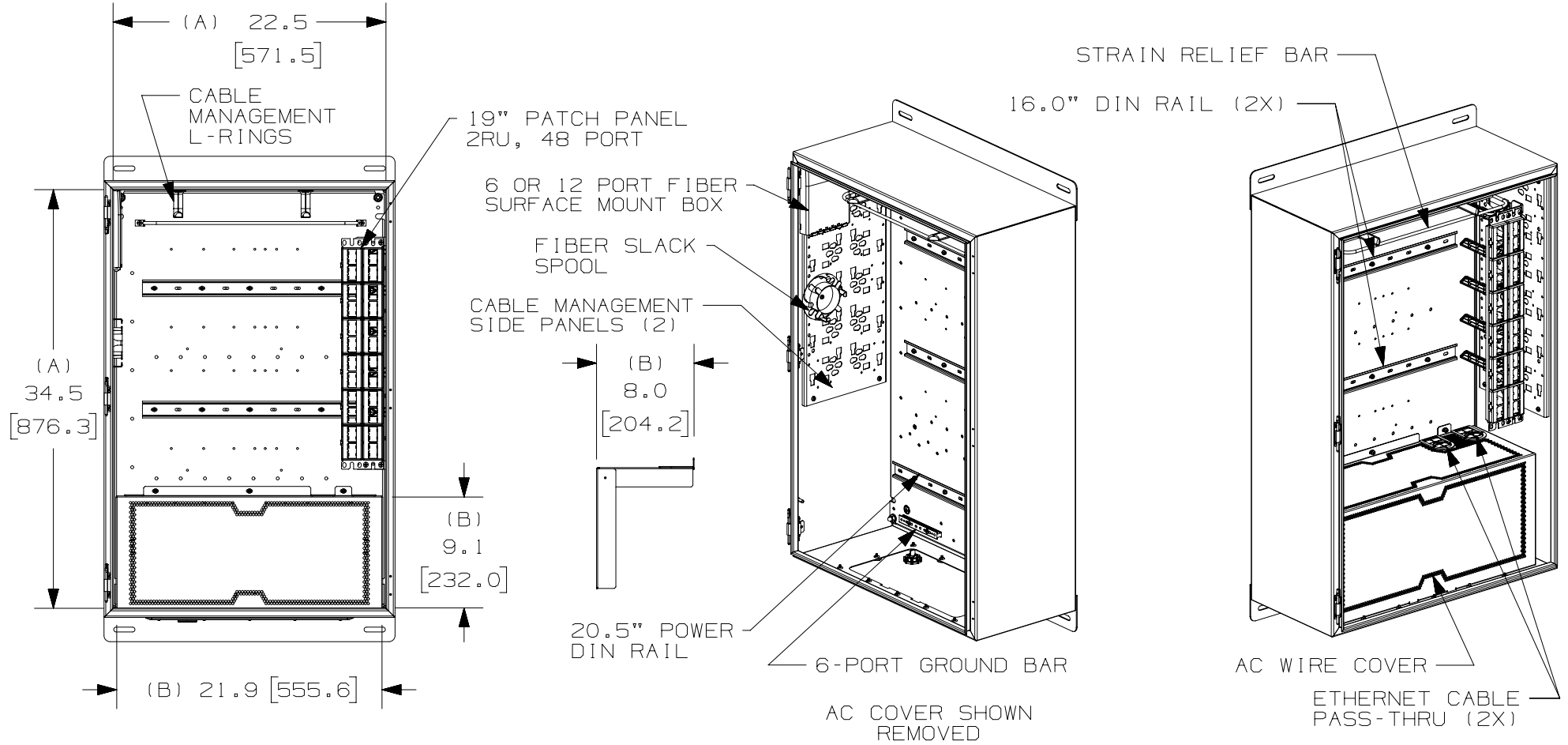
- DIMENSIONS IN PARENTHESES ARE IN METRIC.
- ENCLOSURE INCLUDES:
 - (2) CABLE MANAGEMENT SIDE PANELS
 - (1) TOP SLACK PLATE
 - (1) BLANK GLAND PLATE FOR CABLE ENTRY AND EXIT
 - (1) 1/2" CONDUIT PLUG FOR POWER ENTRY
 - (1) 6-PORT GROUND BAR
 - (2) EXTERNAL MOUNT FLANGES
 - (1) AC WIRING COVER
 - (2) DIN RAIL FOR SWITCHES (16.0")
 - (1) DIN RAIL FOR POWER (20.5")
 - (1) 6 OR 12 PORT FIBER UPLINK PATCH PANEL (6 PORT-CBXF6BL-Y, 12 PORT-CBXF12BL-AY)
 - (1) FIBER SLACK SPOOL
 - (1) STRAIN RELIEF BAR
 - (1) 19", 2RU 48-PORT PATCH PANEL (CPP48WBLY)
 - (9) CABLE MANAGEMENT L RINGS
- ALL ZONE SYSTEMS ARE WALL MOUNTABLE WITH THE OPTION TO USE OUTSIDE EXTERNAL MOUNT FLANGES.
- ALL ENCLOSURES ARE NEMA TYPE 4/12 AND IP66 RATED.
- 316 STAINLESS STEEL ENCLOSURES ARE RATED NEMA 4X.
- STEEL AND STAINLESS STEEL ENCLOSURES ARE MADE FROM 16 GAUGE STEEL

TITLE		CUSTOMER DRAWING	
NETWORK ZONE SYSTEM, 24" X 36" ENCLOSURE WITH CABLE MANAGMENT ACCESSORIES		PANDUIT	
ITEM REVISION NAME 15V510CY/00		MATERIAL: N/A	
DATASET FILE NAME 15V510CY_DC/00A		DRAWING NUMBER: 15V510CY	
UNLESS OTHERWISE SPECIFIED, DIMENSIONAL TOLERANCES ARE: IN [mm] .x ± .1 [2.54] .xxx ± .005 [.127] .xx ± .01 [.25] ANGLES ± 5 °		THIRD ANGLE PROJECTION	
DRAWN BY JBO	DATE 2/20/18	CHK NWW	SCALE 2:25
SHT 1 OF 2		A	

REV	DATE	BY	CHK	APR	DESCRIPTION	ECN
00A	2/20/18	JBO	NWW	TIMH	RELEASED TO CUSTOMER	15V510CY

D101000DA/14

THIS COPY IS PROVIDED ON A RESTRICTED BASIS AND IS NOT TO BE USED IN ANY WAY DETRIMENTAL TO THE INTERESTS OF PANDUIT CORP.



(A) DIRECT WALL MOUNT HOLE LOCATIONS
DOOR REMOVED FOR CLARITY
(B) DIMENSIONS UNDER THE AC WIRE COVER
AND OVER THE MOUNT PLATE

TITLE		NETWORK ZONE SYSTEM, 24" X 36" ENCLOSURE WITH CABLE MANAGEMENT ACCESSORIES		
CUSTOMER DRAWING				
ITEM REVISION NAME	15V510CY/00			
DATASET FILE NAME	15V510CY_DC/00A			
UNLESS OTHERWISE SPECIFIED, DIMENSIONAL TOLERANCES ARE: IN [mm]		MATERIAL:		
.x ± .1 [2.54]	.xxx ± .005 [.127]	N/A		
.xx ± .01 [.25]	ANGLES ± 5°	DRAWING NUMBER:		
THIRD ANGLE PROJECTION		15V510CY		
DRAWN BY	DATE	CHK	SCALE	SIZE
JBO	2/20/18	NWW	2:25	A

00A	2/20/18	JBO	NWW	TIMH	REFER TO SHEET 1	15V510CY
REV	DATE	BY	CHK	APR	DESCRIPTION	ECN

D10100DA/14