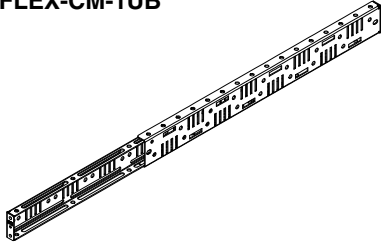


Multiple holes on the front and rear brackets allow the length of the assembly to be adjustable. Therefore, the product can be a length of 19.38" [429mm] minimum to 31.95" [812mm] maximum to install universally on racks and cabinets.

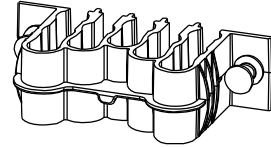
FLEX-CM-1UB*



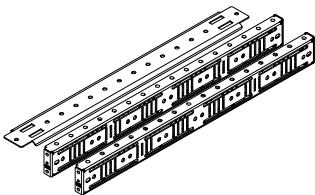
- Kit Specific Hardware
- #10-32 x 1" Screws
 - #10-32 Wing Nuts
 - #10 Washer
 - #12-24 x 1" Screw
 - M6 x 1 x 25mm Screw

* (2) each
** (4) each

FLEX-CLIP-12 (4) 12-Position Clips (sold separately)

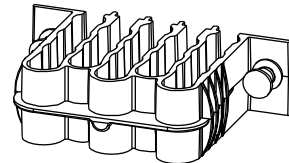


FLEX-CM-1UBKIT**

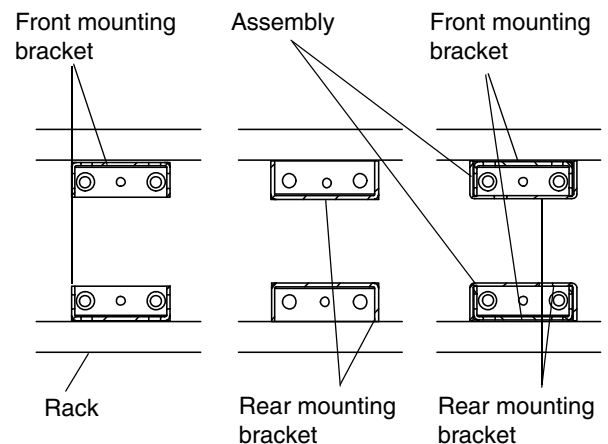
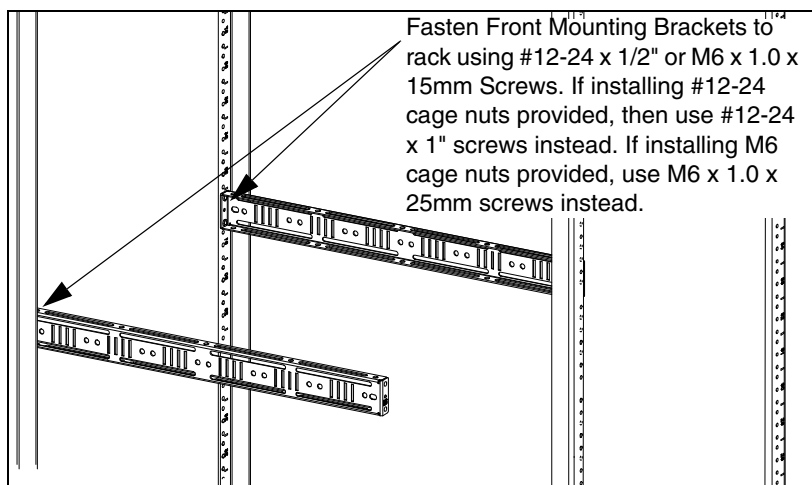
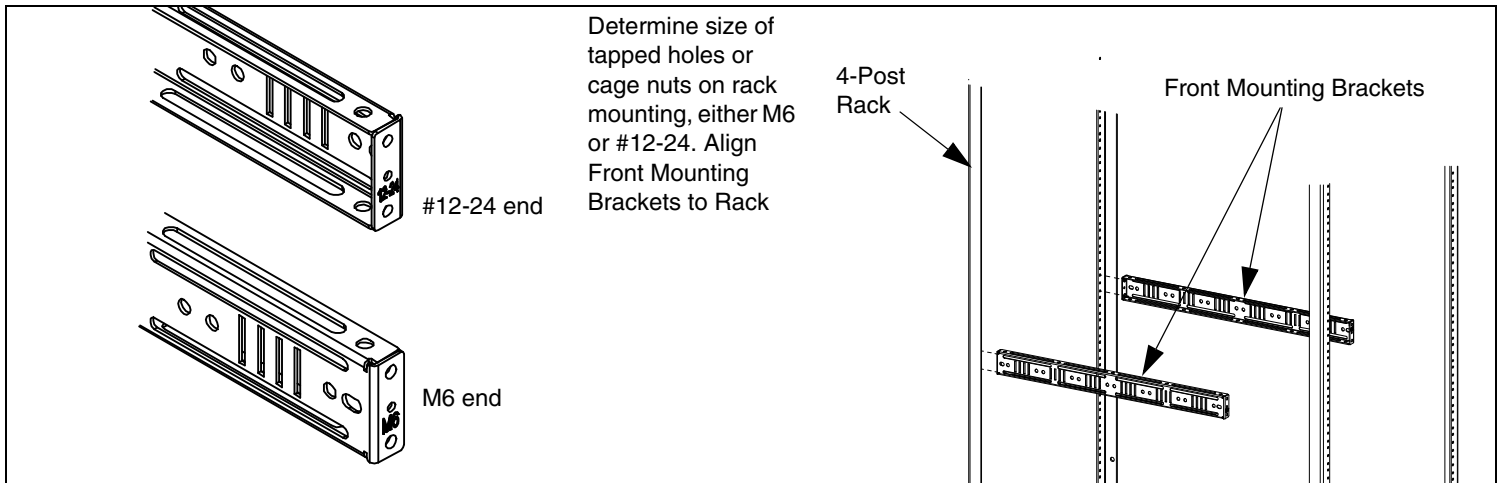


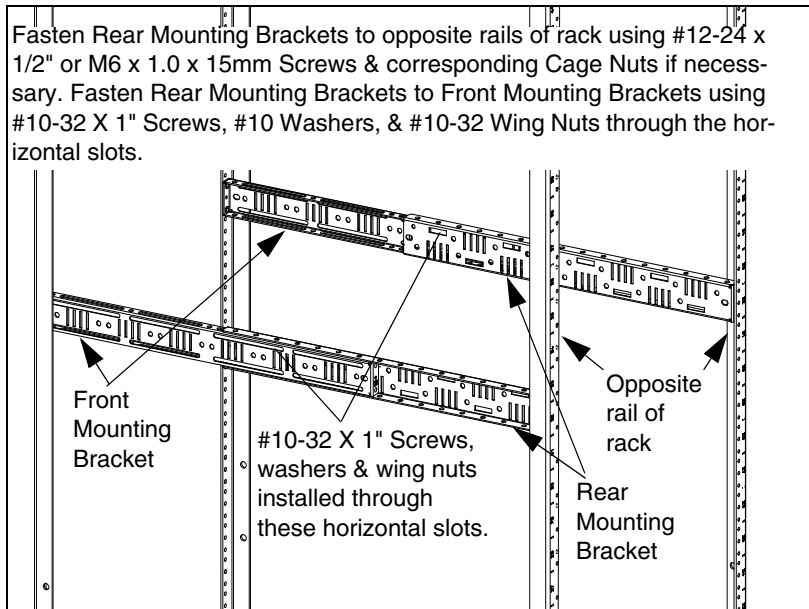
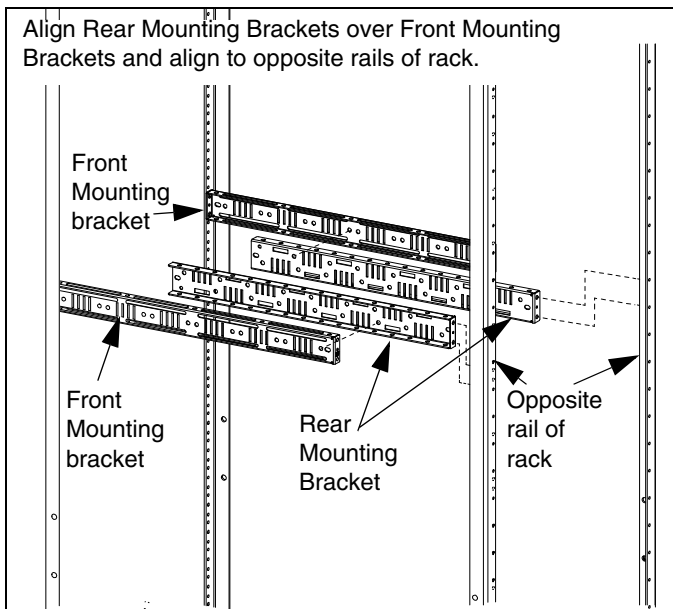
- Common Hardware:
- (4) #12-24 x 1/2" Mounting Screws
 - (4) M6 x 1.0 x 15mm Mounting Screws
 - (4) #12-24 Cage Nuts
 - (4) M6 x 1.0 Cage Nuts

FLEX-CLIP-18 (4) 18-Position Clips (sold separately)



1. Installation Instructions for Mounting Brackets FLEX-CM-1UB (qty (2) shown)

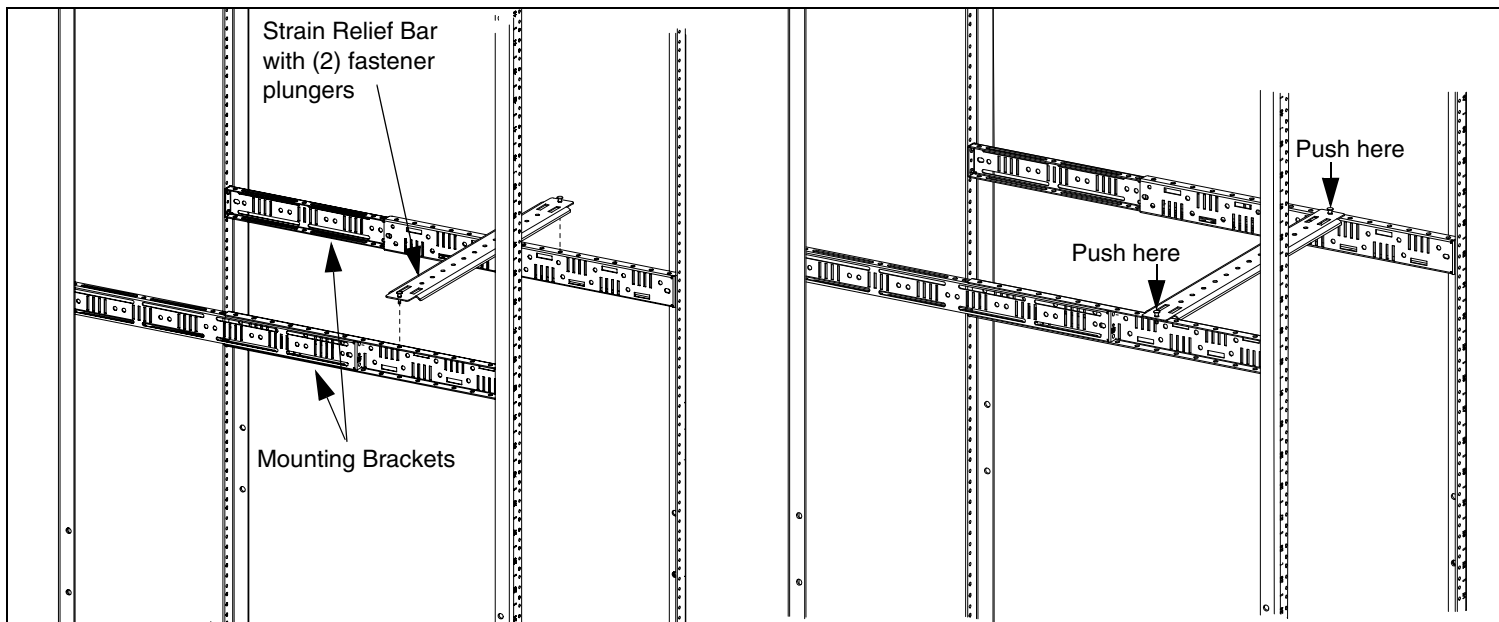




NOTE: If installing strain relief bar from FLEX-CM-1UBKIT, do not completely tighten wing nuts at this time.

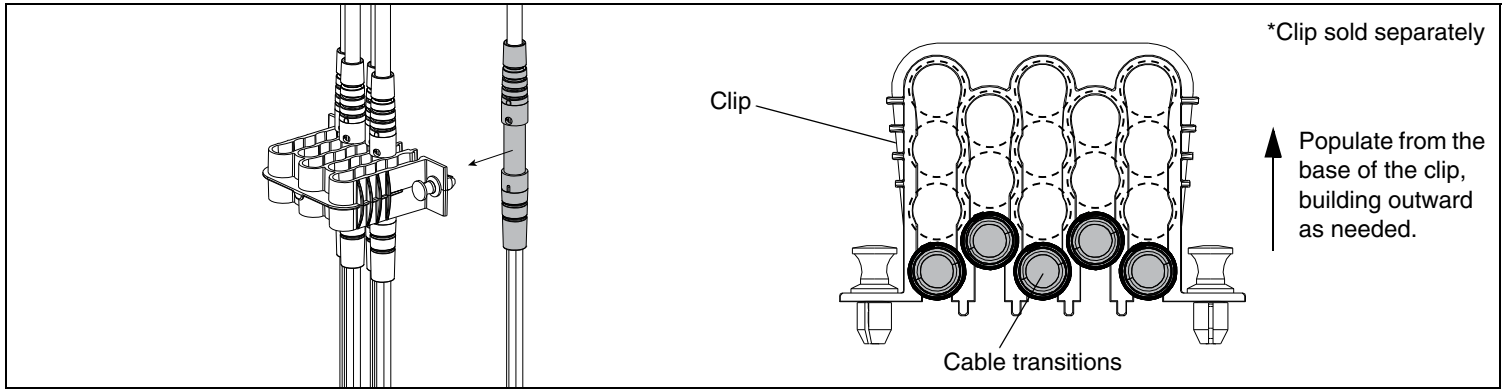
2. Additional Installation Instructions for FLEX-CM-1UBKIT

Install mounting brackets as shown in step 1 on page 1. Install strain relief bar onto brackets. Push down on fastener plungers to mount.

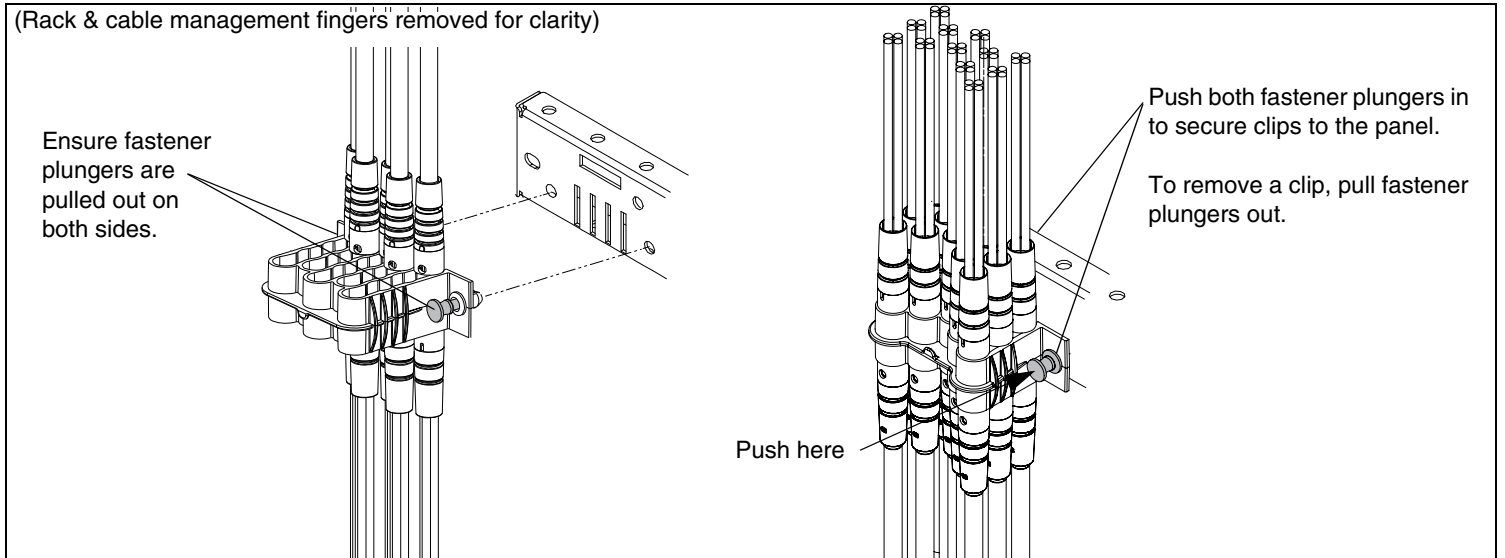


Fully tighten wing nuts to screws at this time.

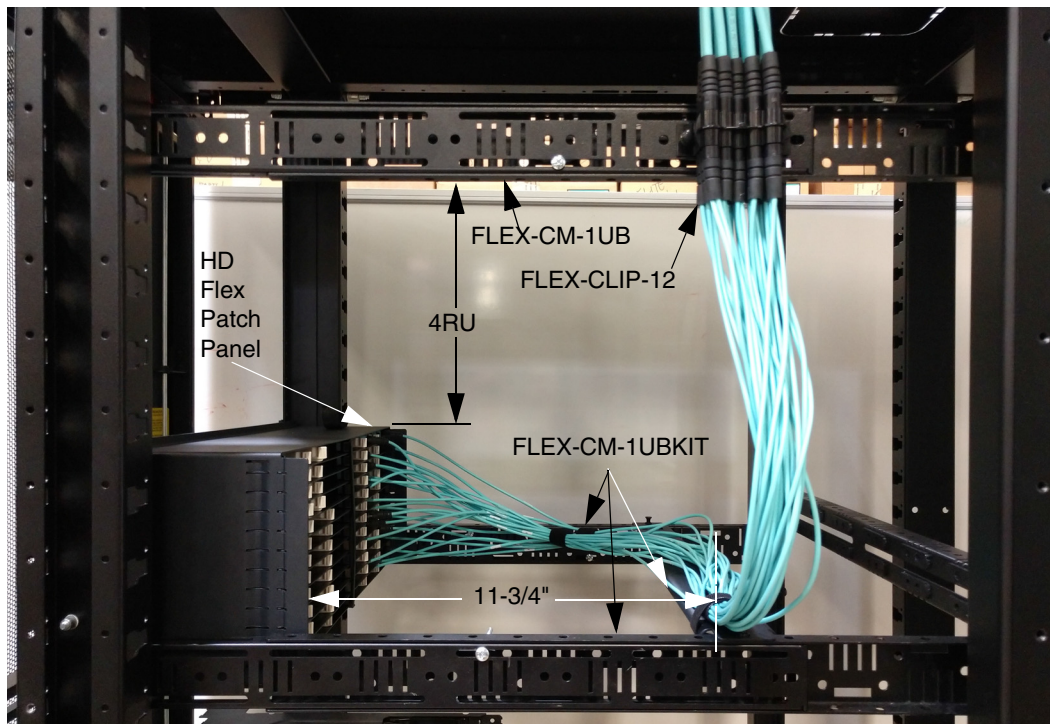
3.A Install Cable Transitions to Clips*



3.B Install Clips to Universal Cable Manager Bracket

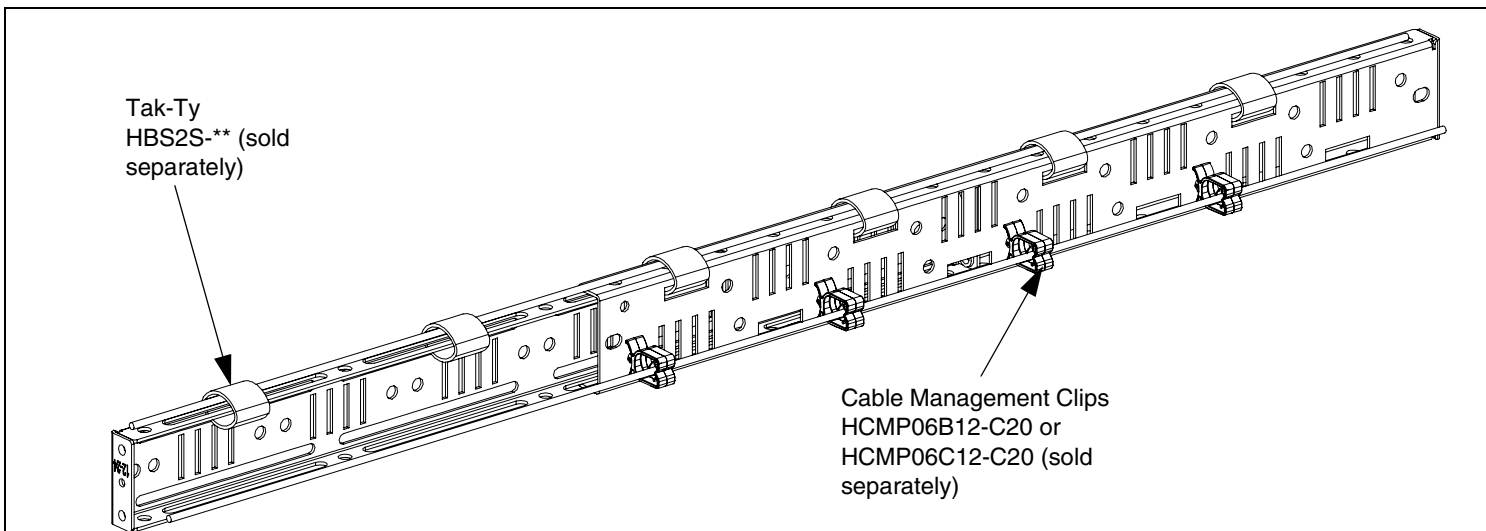


3.C Clip Configuration and Recommended Cable Routing.





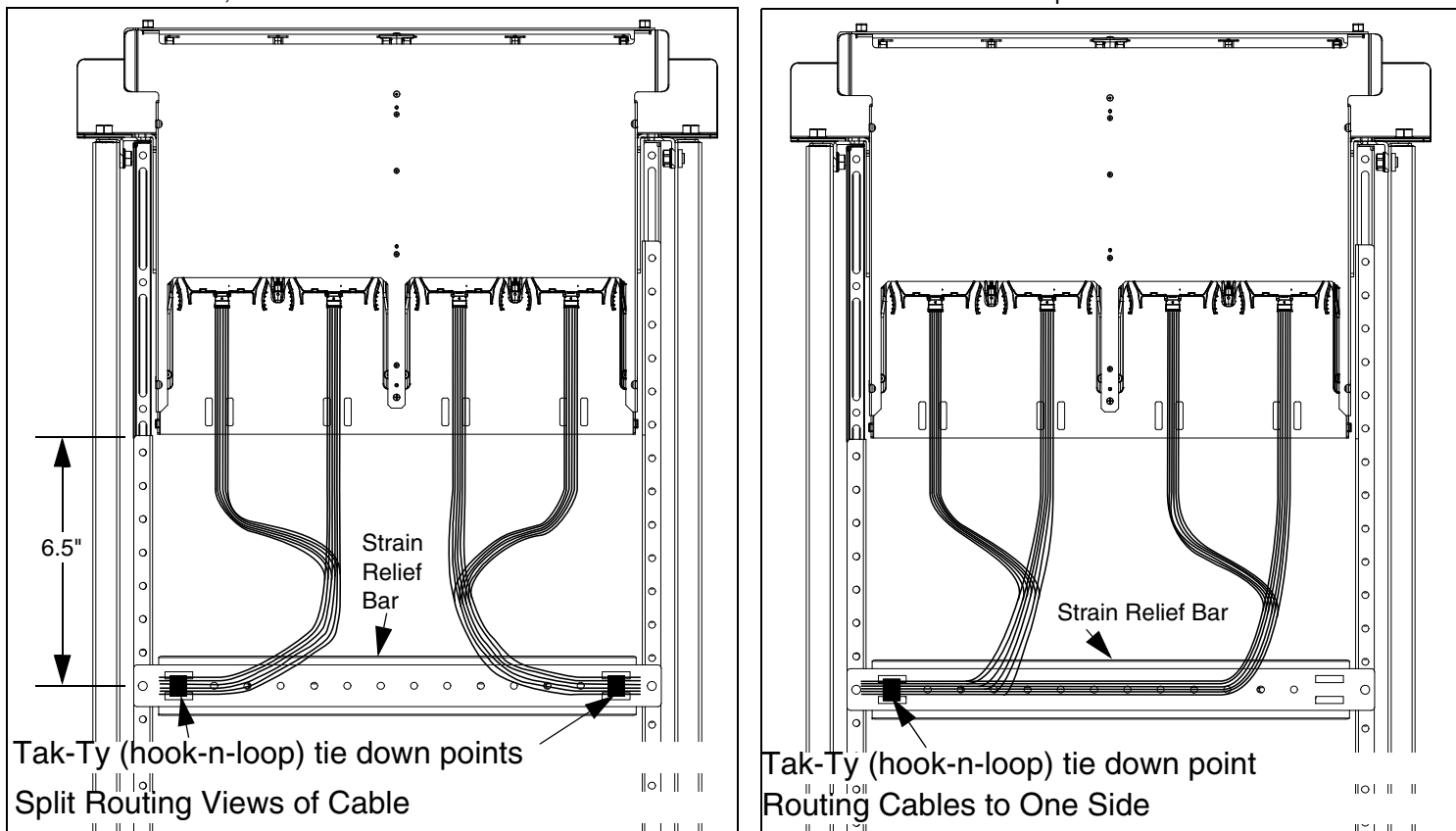
4. Install Tak-Ty / Cable Management Clips (Alternate Installation)



It is possible to hold any vendor's cable or cable transition to front & rear brackets with two alternative methodologies: Tak-Ty (hook-n-loop cable tie) and harness clip fasteners (cable management clips). Cables can be secured to the left or right mounting brackets or strain relief bar with 0.75 inch wide Tak-Ty (hook-n-loop cable ties) which mount through the horizontal slits or cable management clips. The cable management clips mount into 0.25 inch diameter holes located on the brackets.

FLEX-CM-1UBKIT Cable Routing

Use Tak-Ty (hook-n-loop cable ties) to secure trunk cables to the strain relief bar at the location(s) shown. Create a slack loop for all incoming trunk cables as shown. Slack is required to allow movement of the trays from the front of the enclosure. For split routing of cables, allow a minimum of 28" of slack from the rear of the installed enclosure or fiber cassette panel (neither shown) to the tie down point(s). When routing cables all to one side, allow a minimum of 32" slack from the far side of the enclosure to the tie down point.



For Instructions in Local Languages and Technical Support:

www.panduit.com/resources/install_maintain.asp

PANDUIT

www.panduit.com

E-mail: techsupport@panduit.com

Phone: 866-405-6654