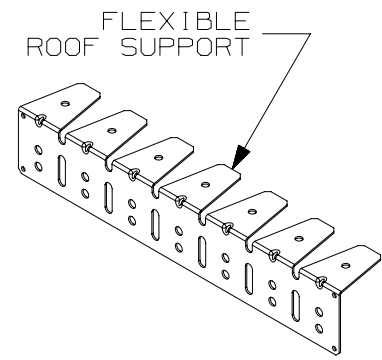
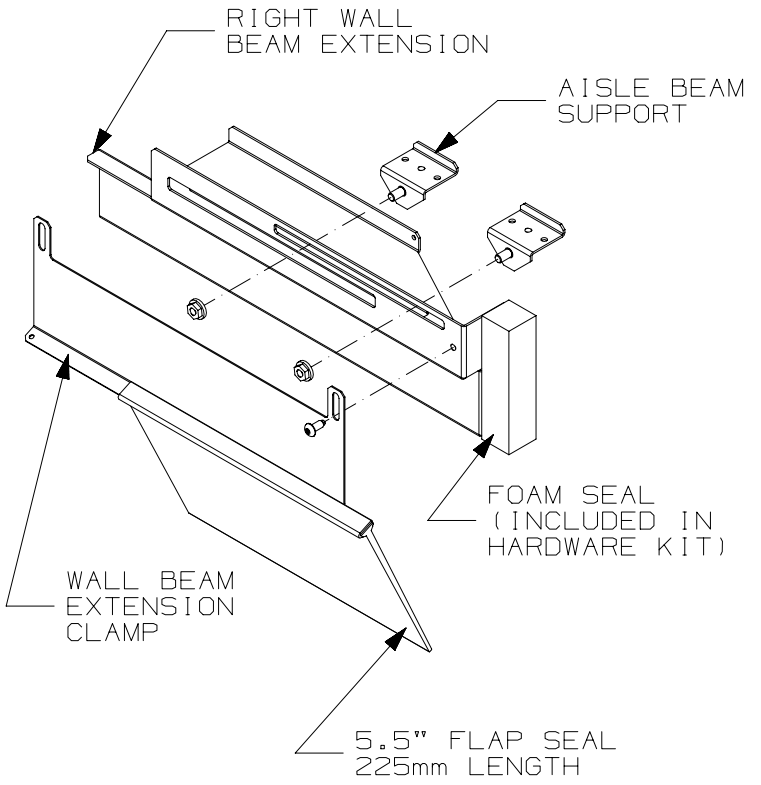


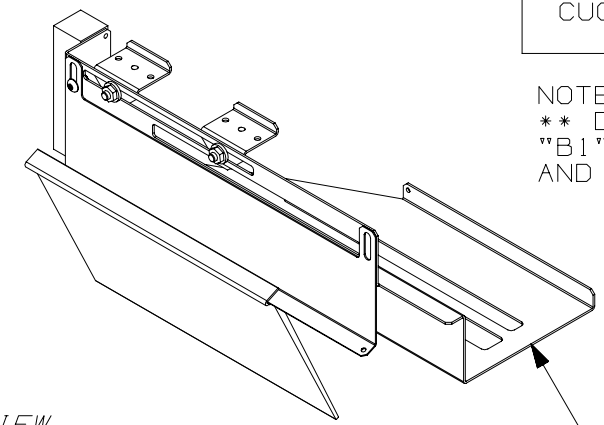
THIS COPY IS PROVIDED ON A RESTRICTED BASIS AND IS NOT TO BE USED IN ANY WAY DETRIMENTAL TO THE INTERESTS OF PANDUIT CORP.

2

1



ISOMETRIC VIEW



ISOMETRIC VIEW

LEFT WALL BEAM EXTENSION

NOTES:

1. VISIT OUR ONLINE CATALOG AT WWW.PANDUIT.COM FOR A LIST OF CURRENT PARTS APPLICABLE WITH THIS PRODUCT.
2. REFER TO INSTRUCTION SHEET V00029KK FOR MORE INFORMATION
3. PARTS SUPPLIED:
 - 1 - LEFT WALL BEAM EXTENSION
 - 1 - RIGHT WALL BEAM EXTENSION
 - 2 - WALL BEAM EXTENSION CLAMP
 - 4 - AISLE BEAM SUPPORT
 - 1 - FLEXIBLE ROOF SUPPORT
 - 2 - 5.5" FLAP SEAL 225mm LENGTH
 - 1 - HARDWARE KIT
 - 1 - INSTALLATION INSTRUCTION (NOT SHOWN).

PANDUIT PART NO.	WEIGHT
CUCAKIT**	3.2 Kg/EACH (7.15 LBS/EACH)

NOTE:

** DENOTES COLOR - ADD SUFFIX "B1" FOR BLACK, "W1" FOR WHITE AND "G1" FOR GRAY.



00A	7/22/16	MEX-JAGC	DWG	WAB	RELEASED TO PRODUCTION	V09001CU
REV	DATE	BY	CHK	APR	DESCRIPTION	ECN

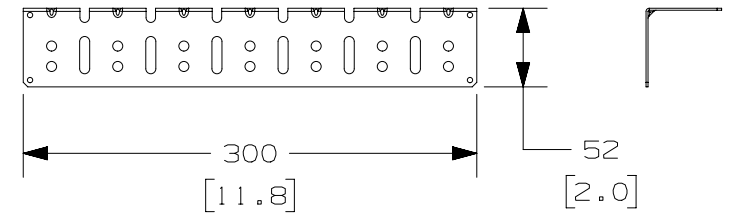
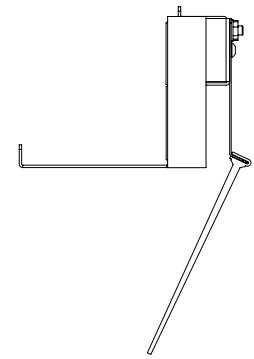
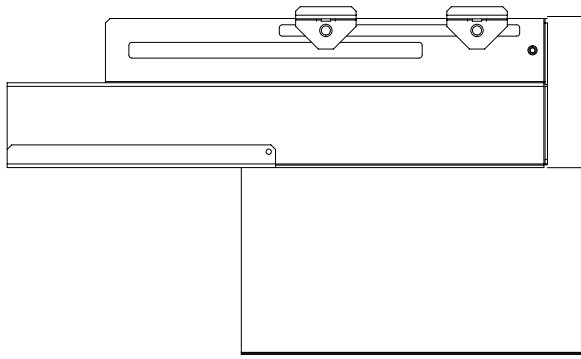
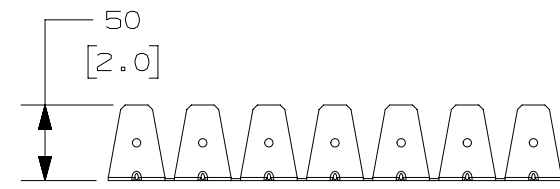
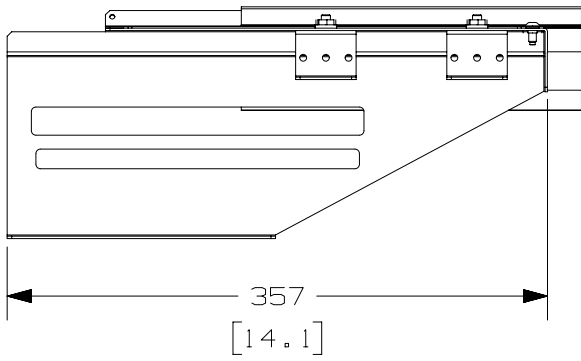
NET-CONTAIN UAC COLUMN ADAPTER KIT (CUCAKIT**)		CUSTOMER DRAWING	
ITEM REVISION NAME 12V359VM/00		PANDUIT	
DATASET FILE NAME 12V359VM_DC/00A			
DRAWING NUMBER: 12V359VM-DC			MATERIAL: N/A
	THIRD ANGLE PROJECTION		
DRAWN BY MEX-JAFC	DATE 7/22/16	CHK DWG	SCALE NONE
SHT 1 OF 2			SIZE A

D10100DA/16

2

1

THIS COPY IS PROVIDED ON A RESTRICTED BASIS AND IS NOT TO BE USED IN ANY WAY DETRIMENTAL TO THE INTERESTS OF PANDUIT CORP.



NOTE: RIGHT AND LEFT EXTENSIONS ARE MIRROR IMAGES. SEE INSTRUCTION SHEET V00029KK FOR MORE INFORMATION

00A	7/22/16	MEX-JAGC	DWG		RELEASED TO PRODUCTION				V09001CU
REV	DATE	BY	CHK	APR	DESCRIPTION	ECN			

TITLE NET-CONTAIN UAC COLUMN ADAPTER KIT (CUCAKIT**)									
CUSTOMER DRAWING									
ITEM REVISION NAME 12V359VM/00					PANDUIT				
DATASET FILE NAME 12V359VM_DC/00A									
					MATERIAL: N/A				
					DRAWING NUMBER: 12V359VM-DC				
DRAWN BY MEX-JAFC		DATE 7/22/16		CHK DWG		SCALE NONE		SHT 2 OF 2	
								A	

D110100DA/16