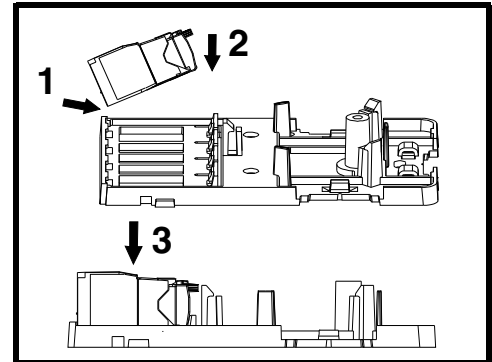




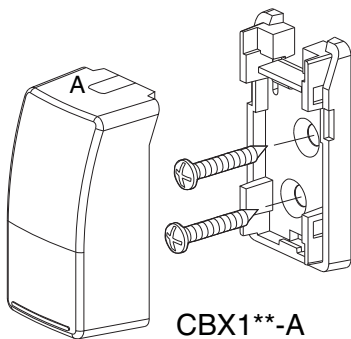
PART NO.	RACEWAY	BREAK OUT
CBX1**-A	LDP3/LD3	A
CBX2**-AY	LDP3/LD3	A
CBX4**-AY	LDP5/LD5	B
CBXF6**-AY	LDP5/LD5	A
CBXF12**-AY	LDP10/LD10	B



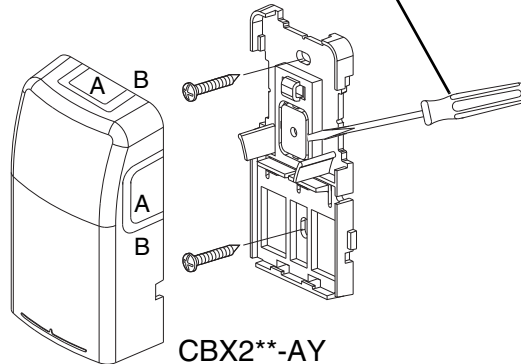
HOW TO MOUNT THE Mini-Com MODULES



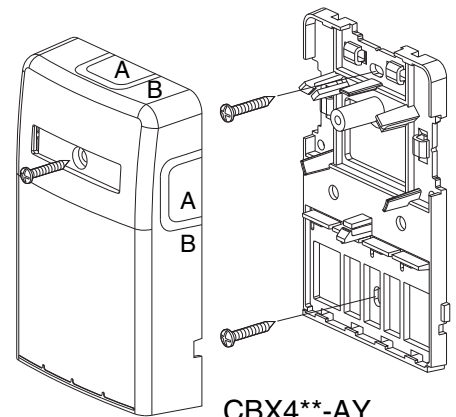
IF RUNNING CABLE THROUGH WALL, REMOVE BREAKOUT BEFORE MOUNTING TO WALL



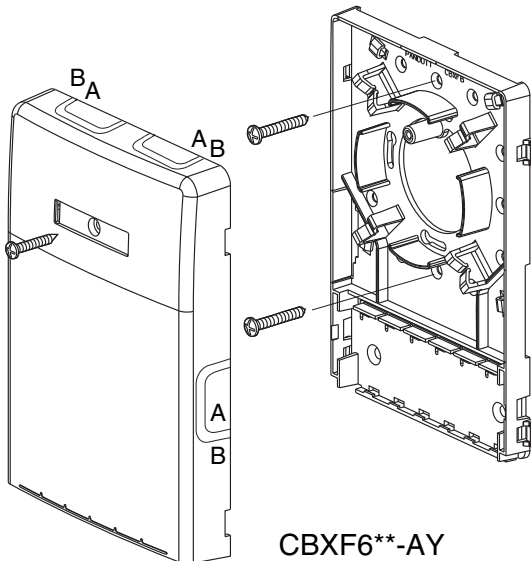
CBX1**-A



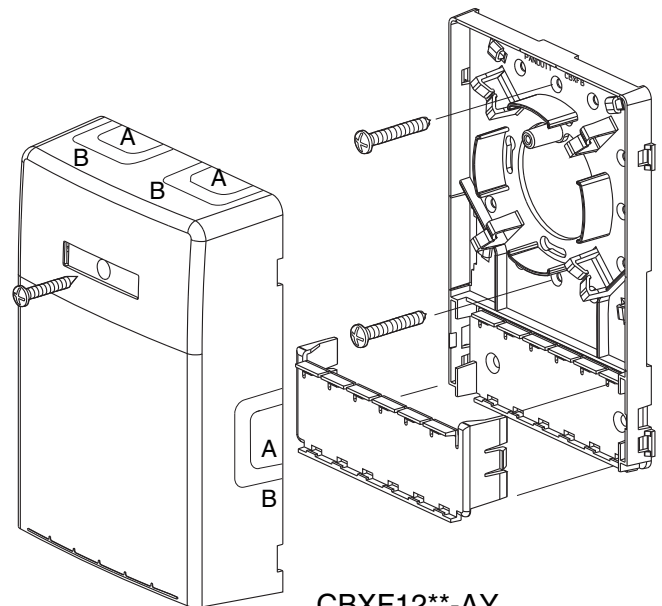
CBX2**-AY



CBX4**-AY



CBXF6**-AY



CBXF12**-AY

Fiber Installation Tips:

Maintain 30mm minimum bend radius.
Spool 1 meter minimum buffered fiber.

** Denotes color.

For Instructions in Local Languages
and Technical Support:

www.panduit.com/resources/install_maintain.asp

PANDUIT

www.panduit.com

E-mail:
techsupport@panduit.com

Phone:
866-405-6654