

Table of Contents

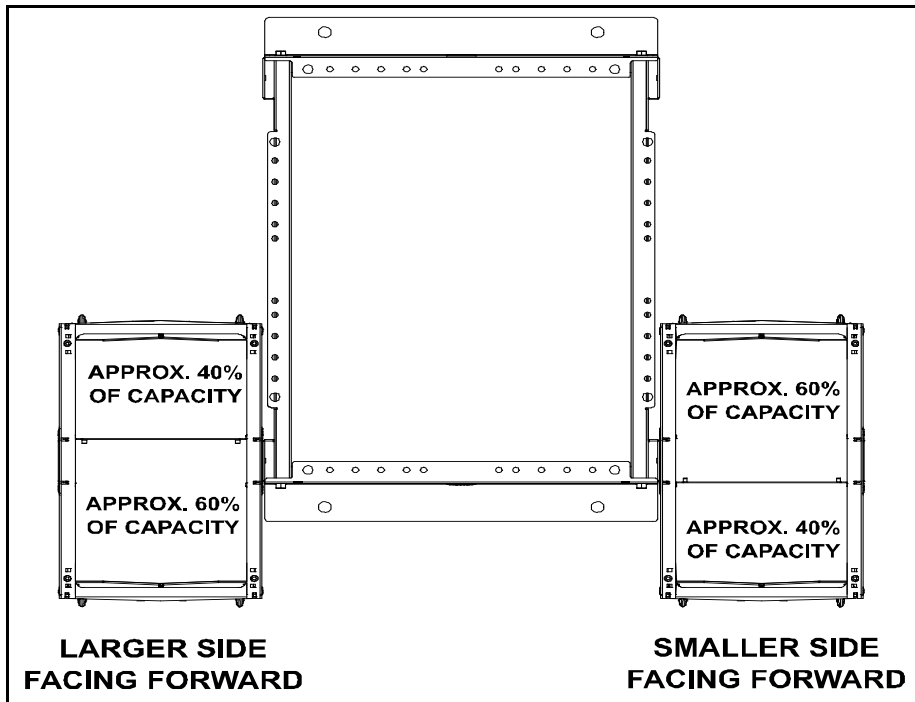
Description	Page
Part Numbers and Part Contents.....	2
Door Removal.....	3
Installation of Vertical Managers to Racks.....	4
Door Installation.....	5
Finger Removal and Replacement.....	7
End Panel Installation.....	8
Waterfall Installation.....	10
Other Compatible Accessories.....	12

PART NUMBERS			LIST OF COMPATIBLE RACKS		
	Front/Rear	Front Only		4-Post	2-Post
7 FT TALL	PR2VD06* PR2VD08* PR2VD10* PR2VD12*	PR2VFD06* PR2VFD08* PR2VFD10* PR2VFD12*	7 FT TALL	R4P*/R4PCN* R4P23/R4P23CN R4P36*/R4P36CN* R4P42/R4P42CN	R2P* R2PS R2PW R2P6S
8 FT TALL	PR2VD0696 PR2VD0896 PR2VD1096 PR2VD1296	PR2VFD0696 PR2VFD0896 PR2VFD1096 PR2VFD1296	8 FT TALL	R4P96/R4PCN96 R4P2396/R4P23CN96 R4P3696/R4P36CN96 R4P4296/R4P42CN96	R2P96 R2P6S96
6.5 FT TALL	PR2VD0679 PR2VD1279	PR2VFD0679 PR2VFD0679	6.5 FT TALL	R4P79/R4PCN79	R2P79
Part Numbers containing an "*" are also available in white. Add "WH" to end of part number to identify white part number.			Part Numbers with an "*" are also available in white. Add "WH" to end of part number to identify white part number.		

PART CONTENTS

(1) *PATCHRUNNER™* 2 Vertical Cable Manager with (1) door per side
 (8) M10 Serrated Flange Bolts
 (8) M10 Serrated Flange Nuts

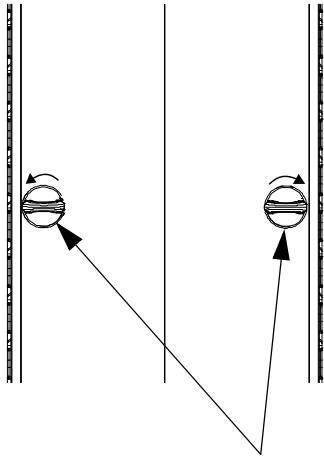
PATCHRUNNER™ 2 Vertical Cable Managers may be installed with either side facing forward.



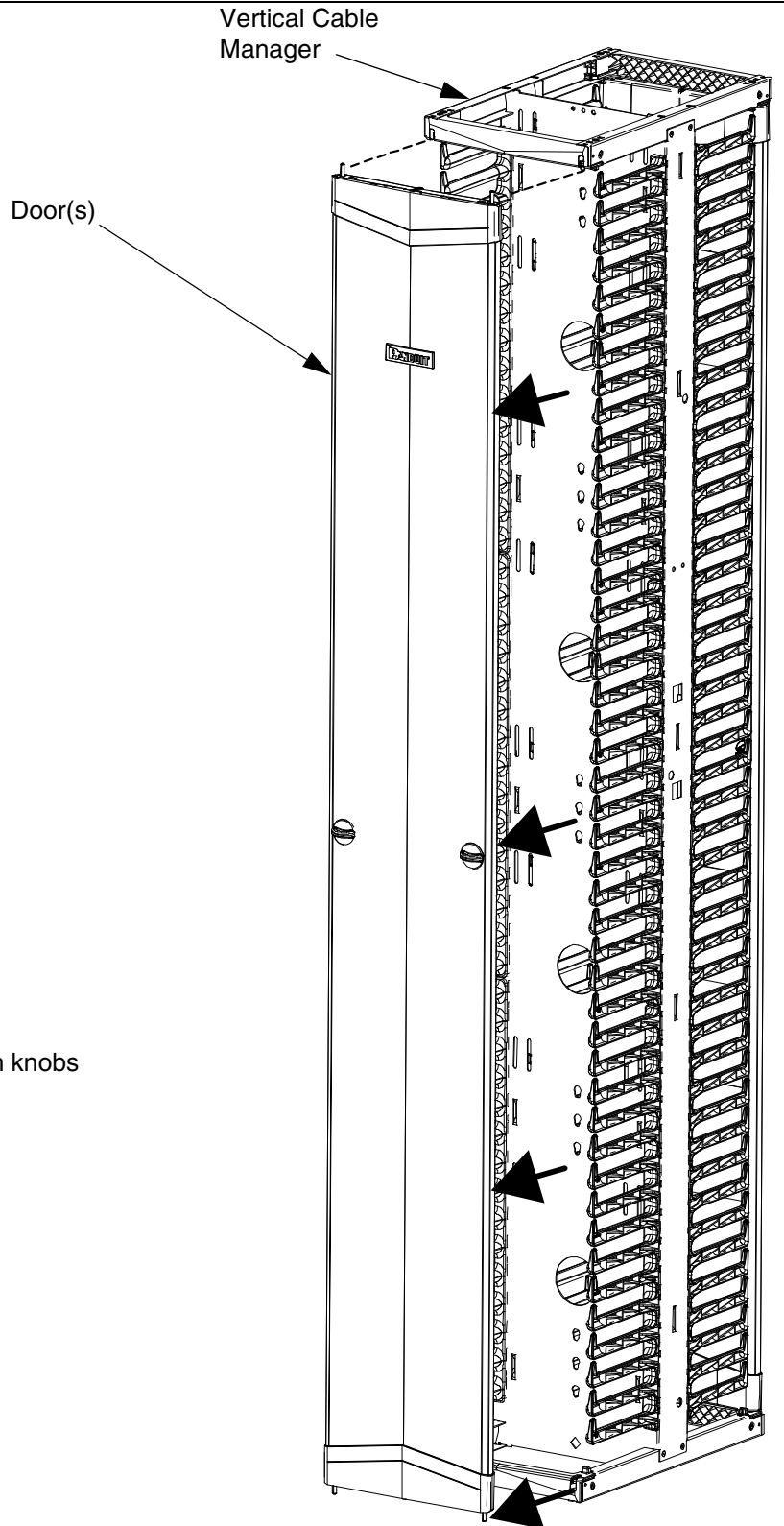
For Technical Support: www.panduit.com/resources/install_maintain.asp

Door Removal

Note: If the installer does not wish to fully remove the door while finishing the Vertical Cable Manager installation then he/she may opt to open the side of the door closest to the rack. Door opening is illustrated on page 7 of this document.

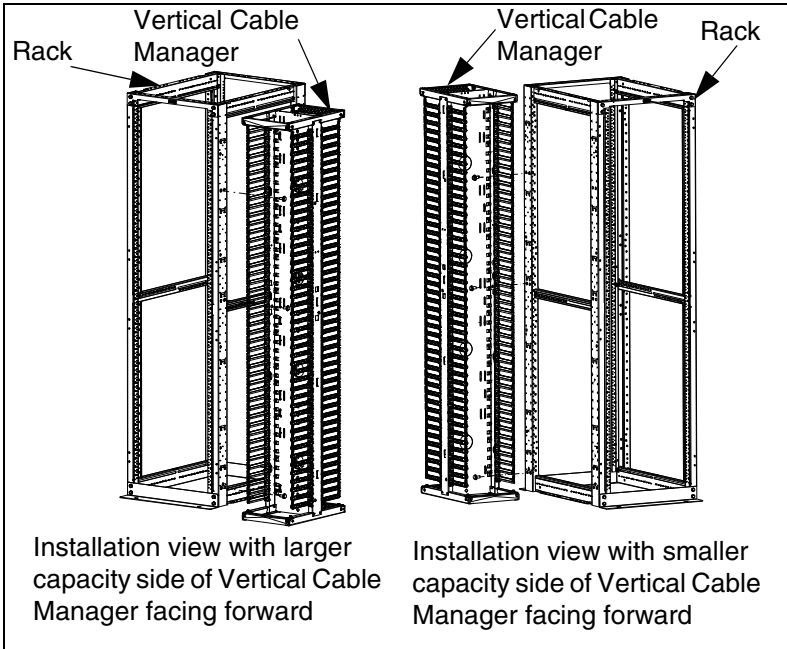


To remove door(s), turn both knobs outward.



Installation of Vertical Cable Managers to Racks

Regardless of the height of the part, and regardless of whether the rack is 2-Post or 4-Post, the Vertical Cable Manager will mount to the rack in 4 places using (4) M10 Serrated Flange Bolts and (4) M10 Serrated Flange Nuts.

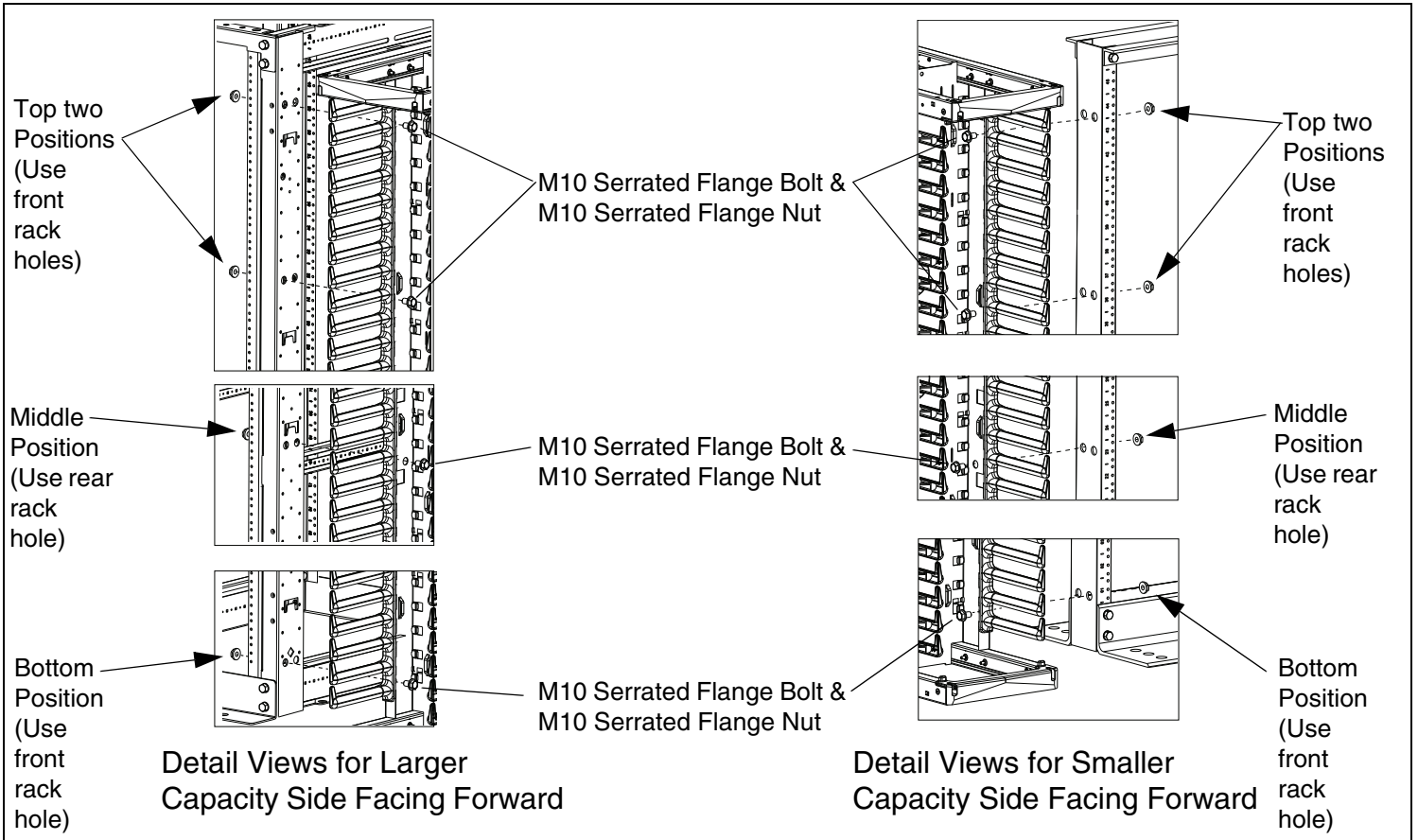


The racks have pairs of mounting holes where the Vertical Cable Manager can be mounted, but the Vertical Cable Manager is designed to use only one mounting hole per pair.

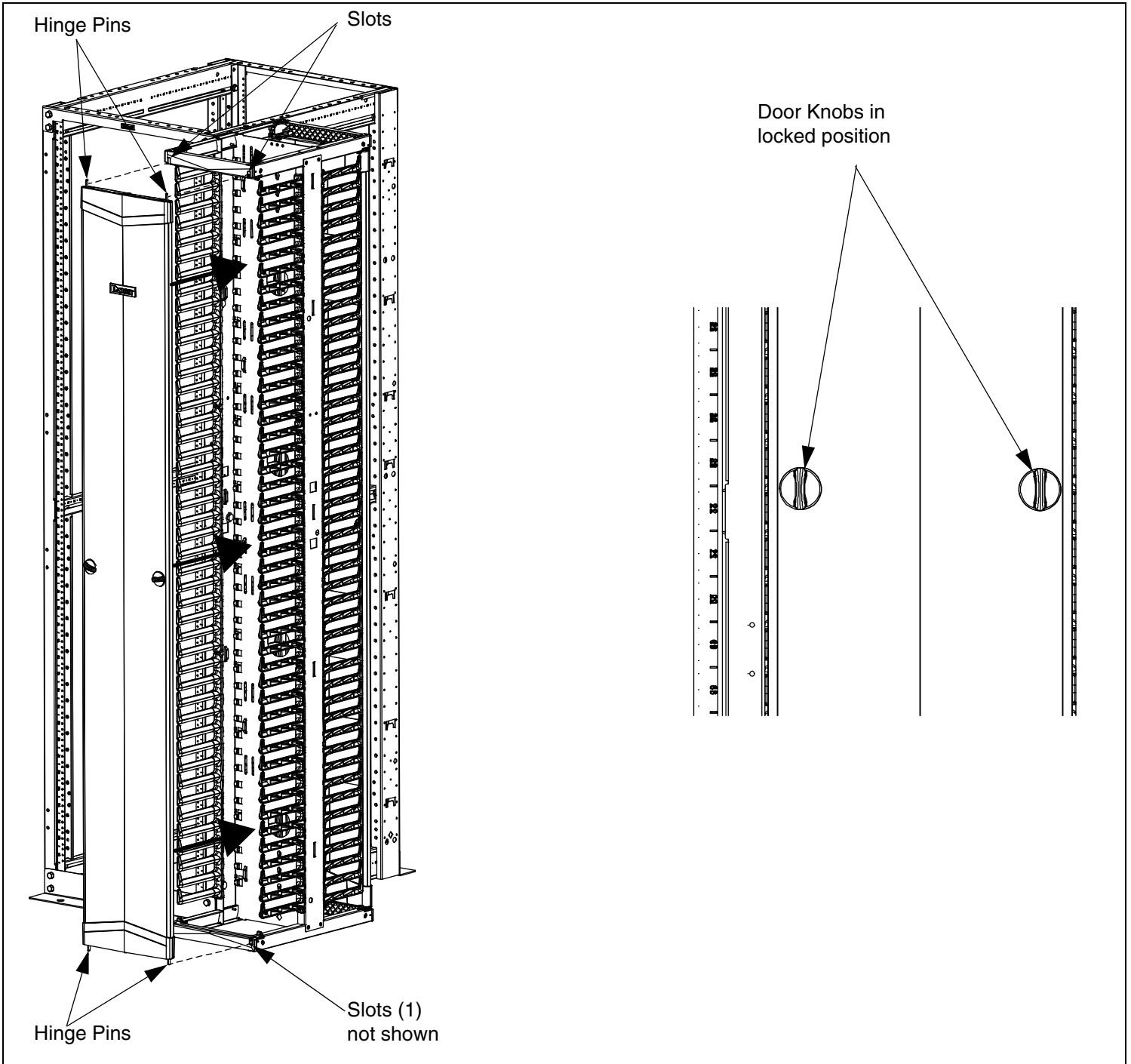
If mounting with the larger capacity side facing forward, the bottom will use the front rack hole, the middle will use the rear rack hole, and the top will use the front rack hole.

If mounting with the smaller capacity side facing forward, the bottom will use the rear rack hole, the middle will use the front rack hole, and the top will use the rear rack hole.

Install Vertical Cable Manager to Rack using (4) M10 Serrated Flange Bolts and (4) M10 Serrated Flange Nuts.



Door Installation

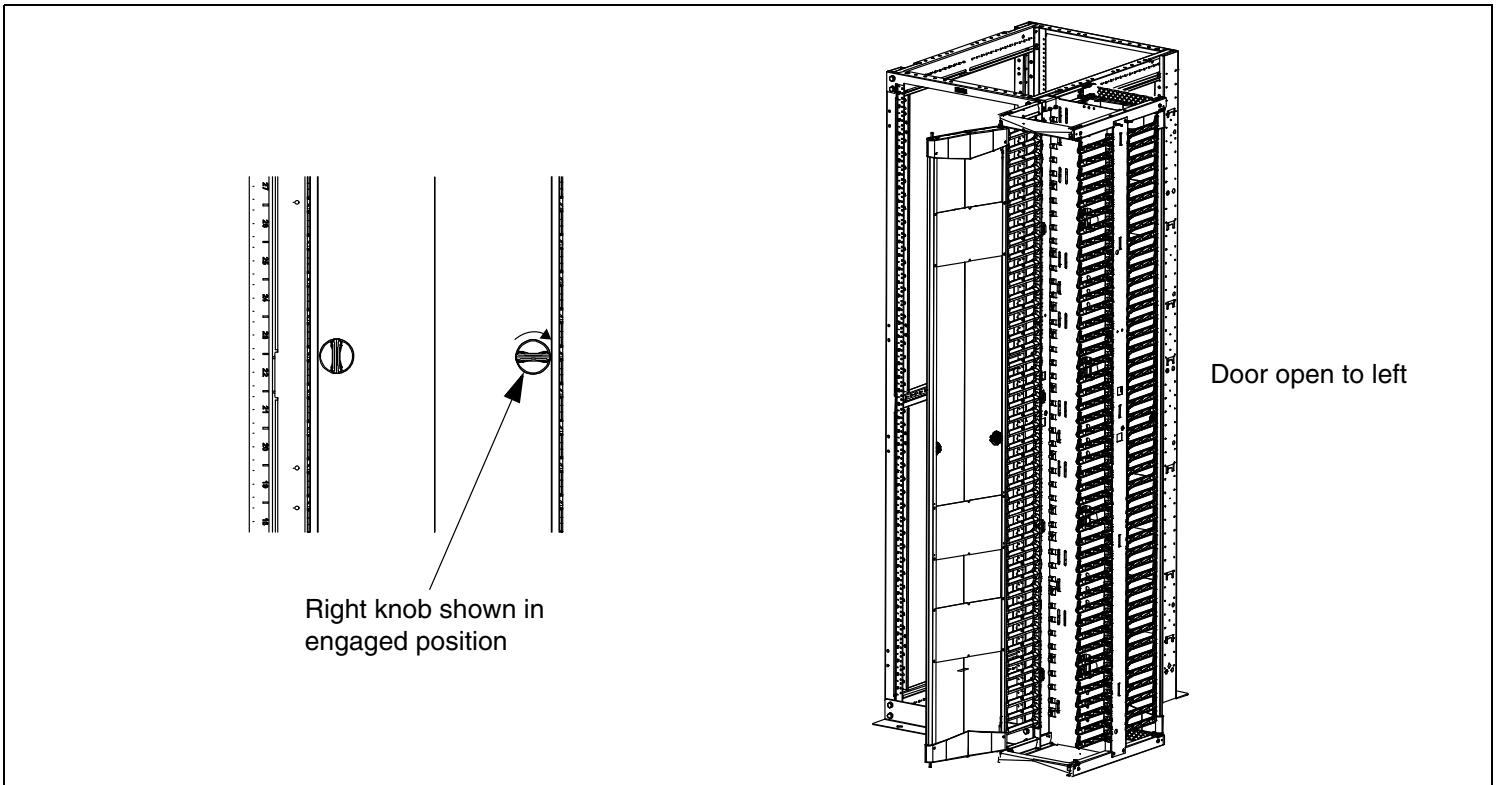
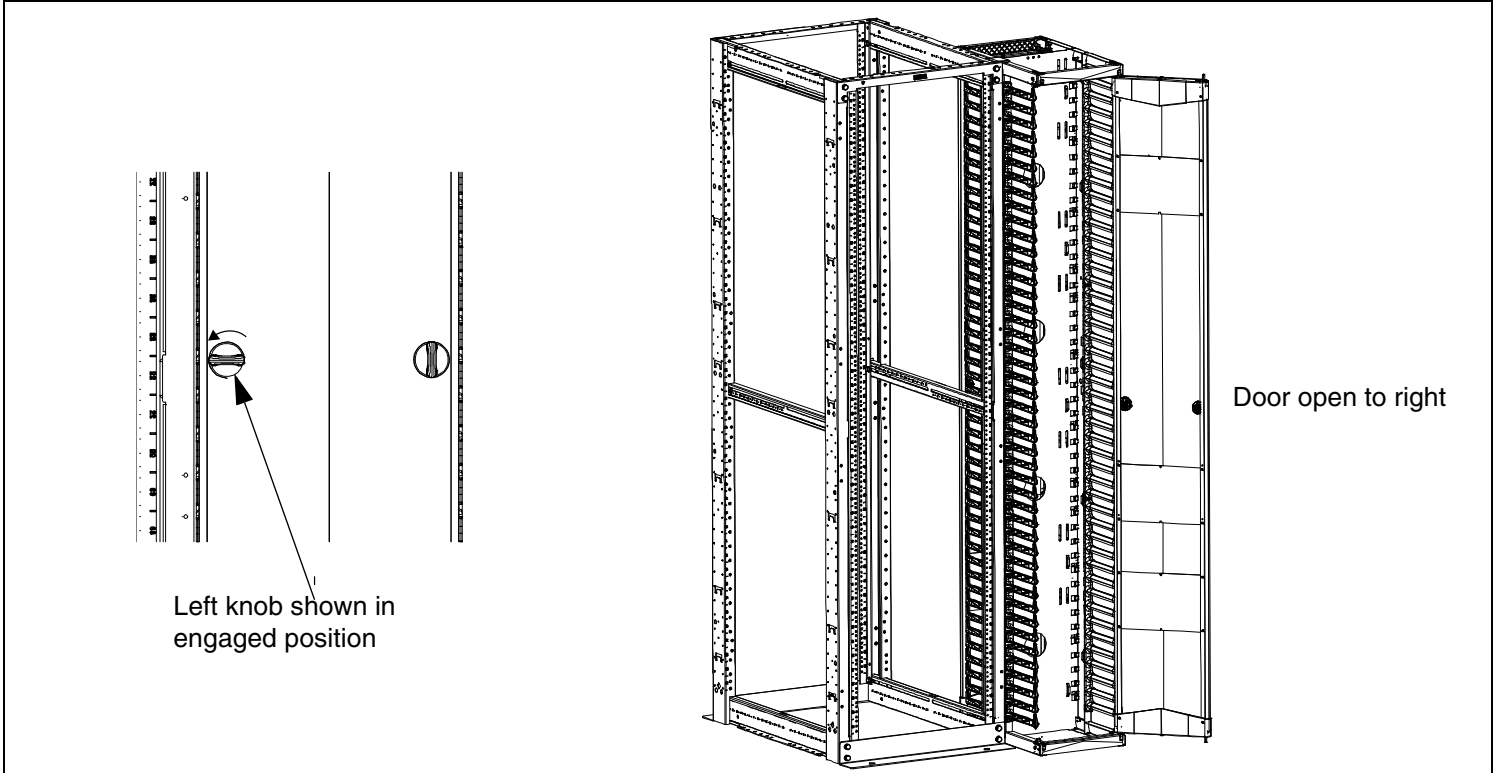


Align Door Hinge Pins on 4 sides to slots on door supports and simply push closed. The door knobs will be in locked position as shown.

To remove door, follow instructions given on page 3.

To open door to the right, turn left knob counterclockwise until engaged.

To open door to the left, turn right knob clockwise until engaged.

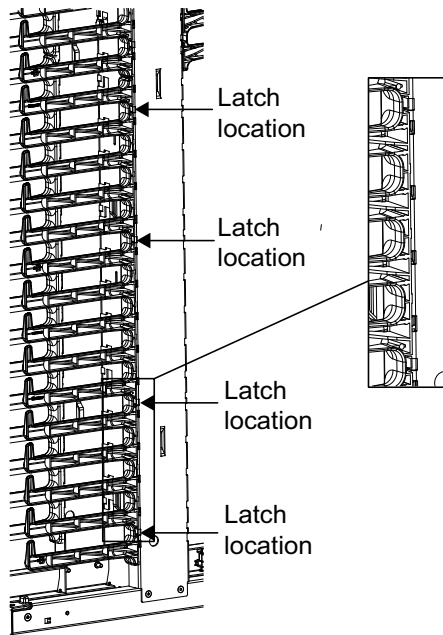


Finger Removal and Replacement

To Remove Fingers:

Step 1:

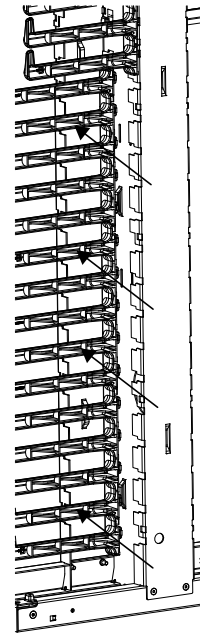
Using a flathead screwdriver, gently pry up plastic latches in (4) places indicated while at the same time applying forward pressure to the finger section.



Fingers removed for clarity

Step 2:

Push out the finger section toward the inside of the manager.

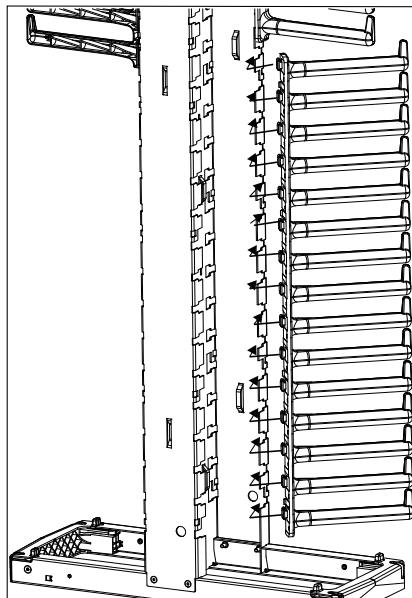


Fingers removed for clarity

To Replace Fingers:

Place the finger mounting tabs under the steel flange on the manager, aligning them with the mounting slots, then push the finger section toward outside of the manager until an audible "click" is heard.

Note: Because the part is long, the installer may have to push the finger section out in several spots before it is secured.

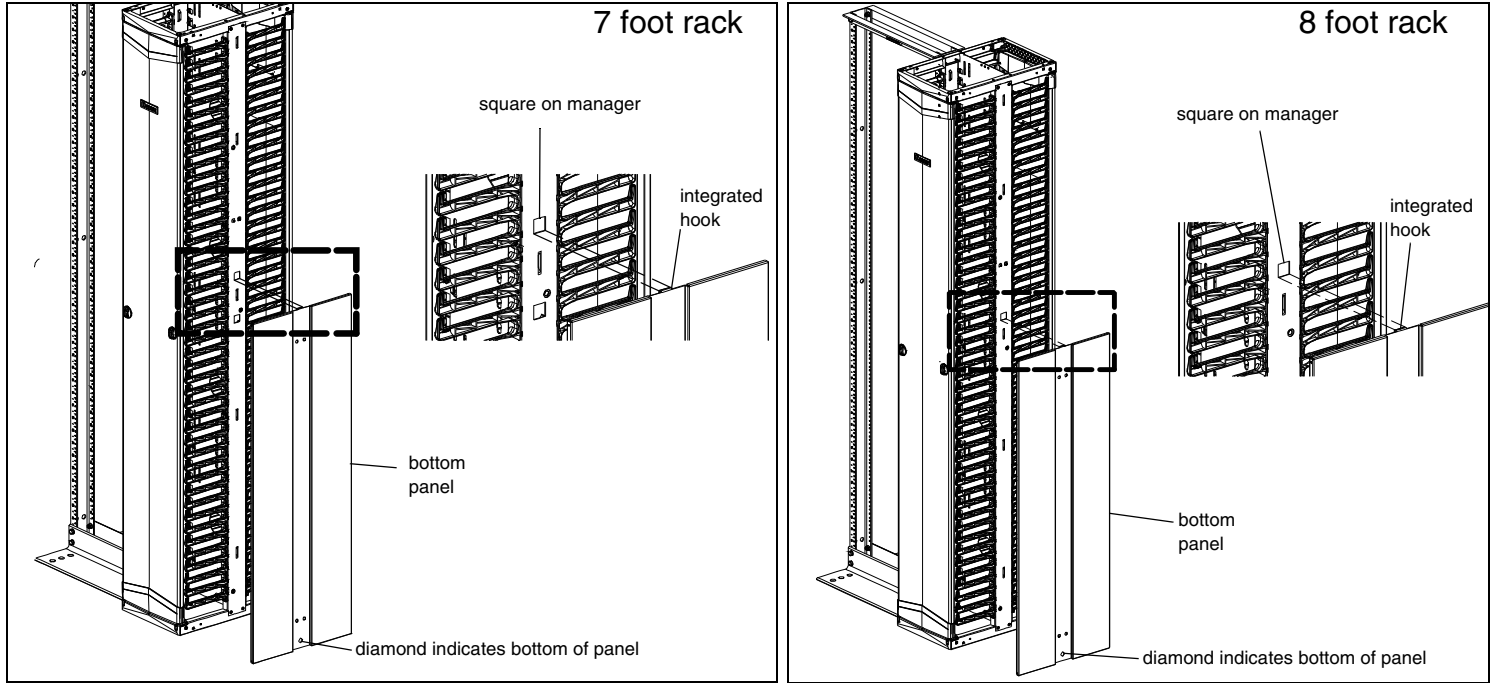


Align finger mounting tabs with mounting slots on manager.

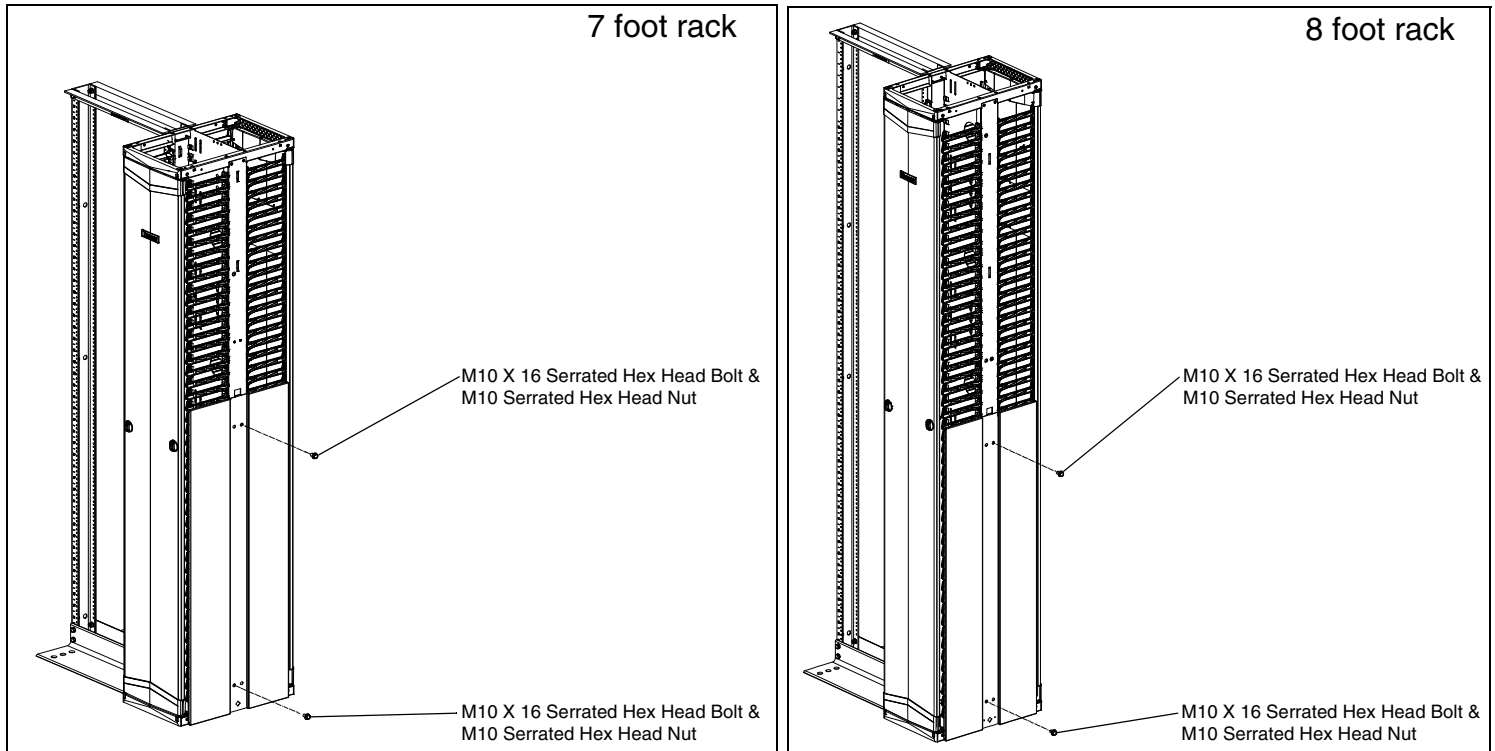
End Panel Installation to *PATCHRUNNER™ 2* Vertical Managers

Part Number(s): PR2VEP, PR2VEPWH, PR2VEP96

Installing Bottom Panel:



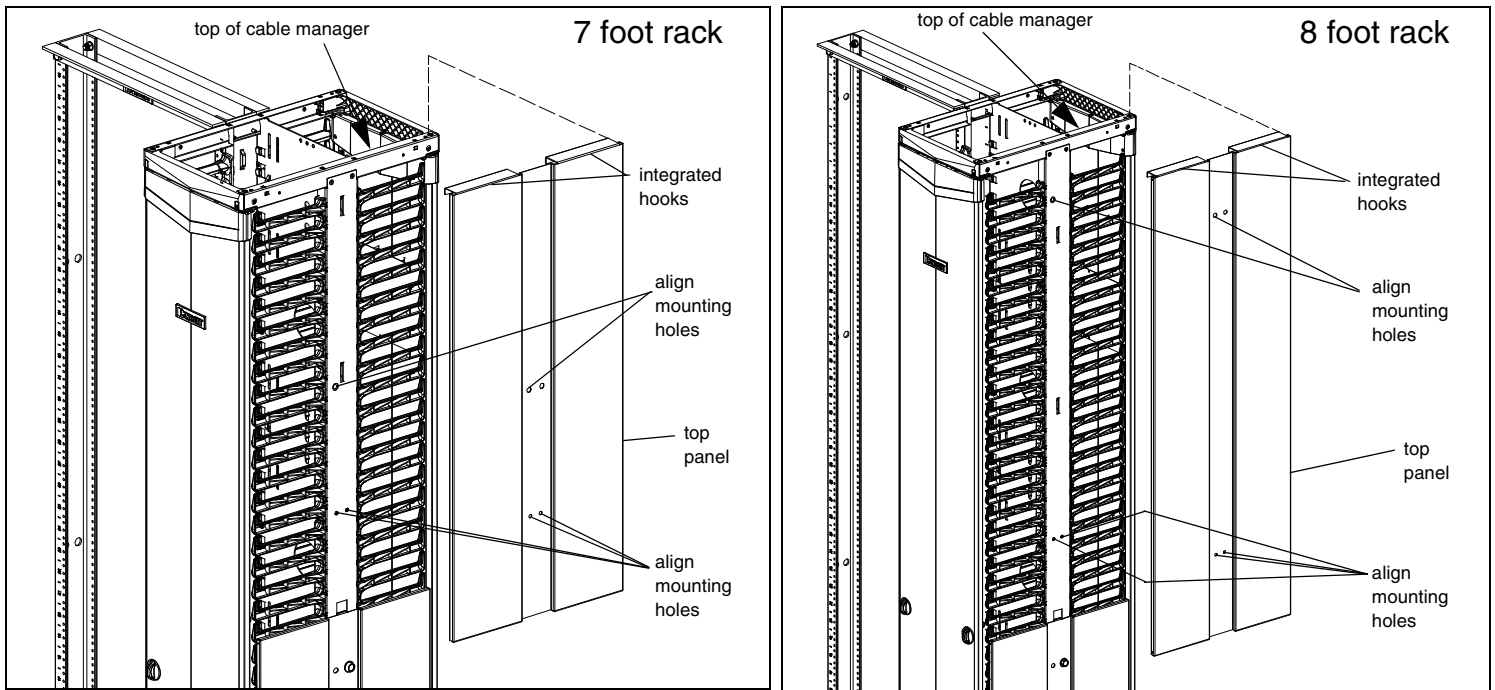
Step 1: Use integrated hook at top of bottom panel to attach to square located on manager as shown.



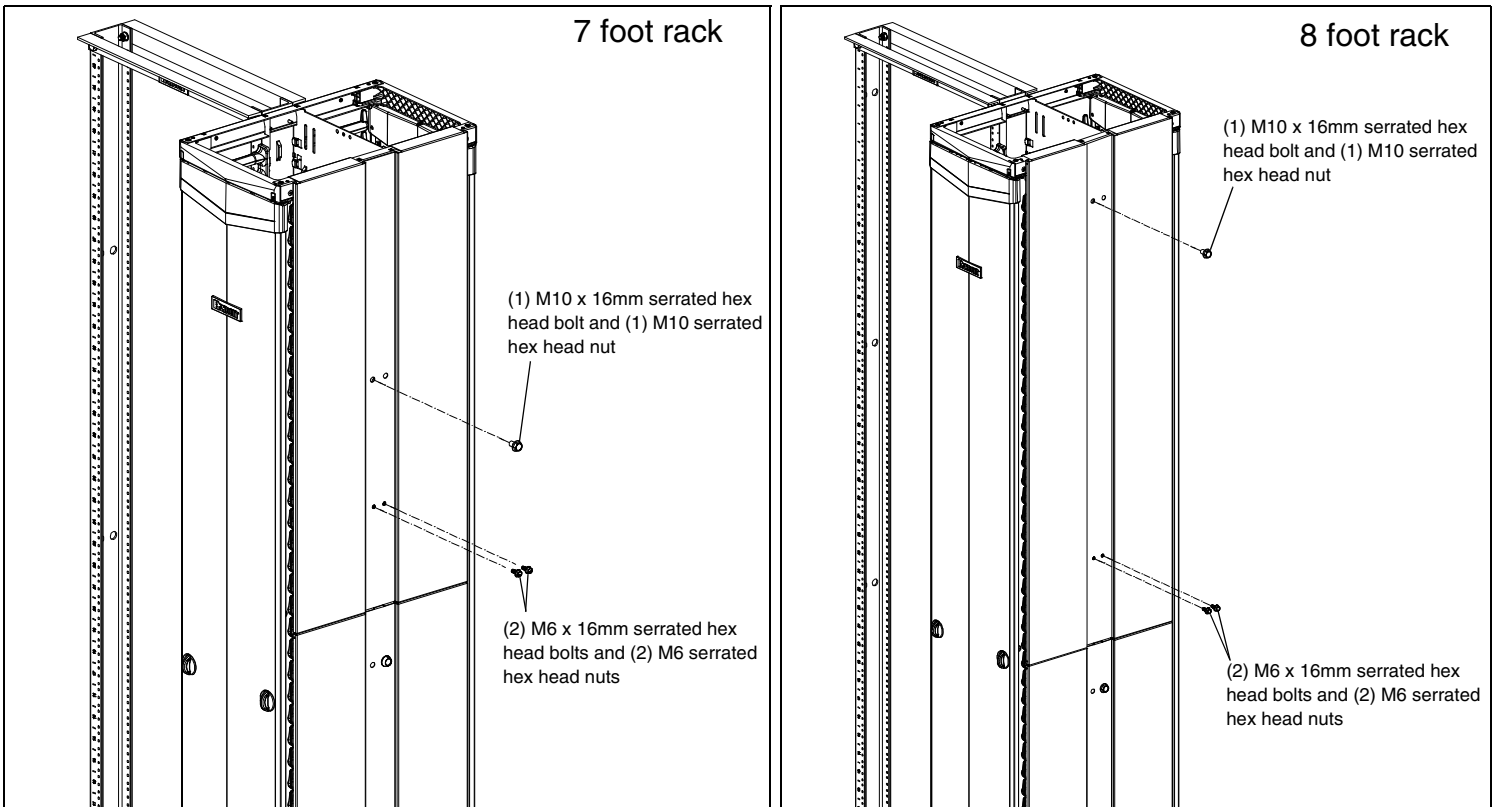
Step 2: Fasten using (2) M10 x 16 serrated hex head bolts and (2) M10 serrated hex head nuts.

For Technical Support: www.panduit.com/resources/install_maintain.asp

Installing Top Panel:



Step 1: Use integrated hooks at top of panel to attach over the top of the manager, aligning mounting as shown.

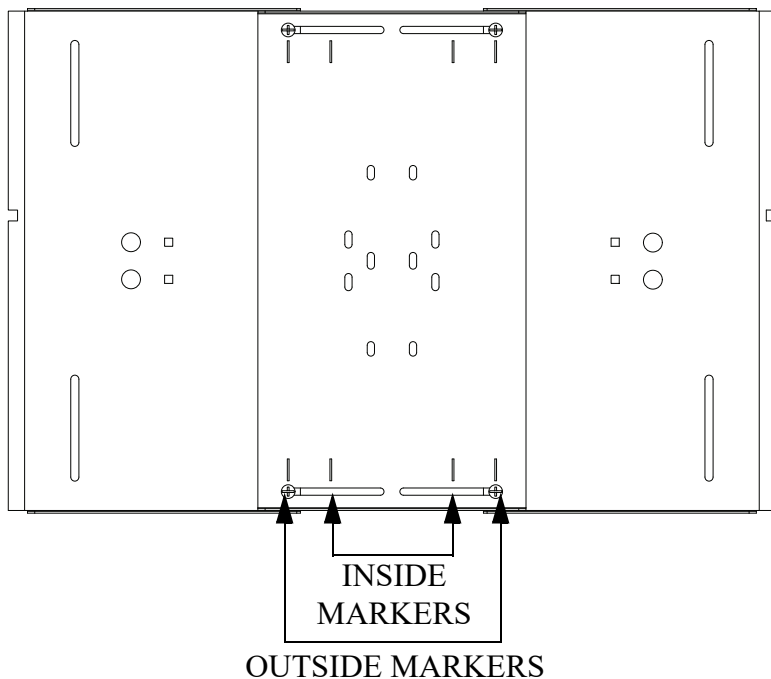


Step 2: Fasten using (2) M6 x 16mm serrated hex head bolts and (2) M6 serrated hex head nuts.

Step 3: Fasten (1) additional M10 x 16mm serrated hex head bolt and (1) M10 serrated hex head nut.

For Technical Support: www.panduit.com/resources/install_maintain.asp

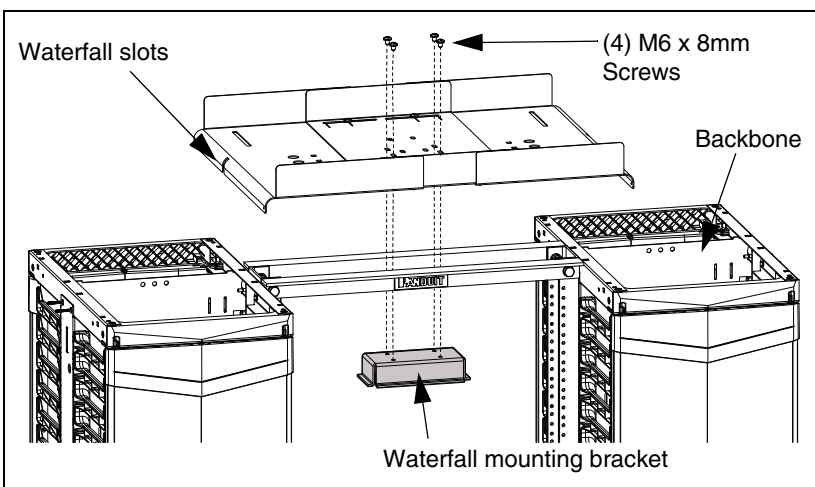
Waterfall Installation for *PATCHRUNNER™* 2 Vertical Managers and Open Racks



Part number:
PR2VWF, PR2VWFH

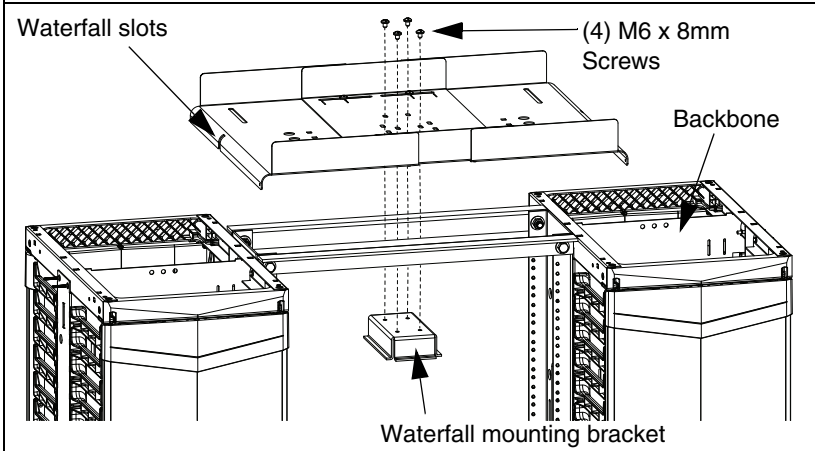
Width adjustment of PR2VWF.

- 1) Adjust the width of the waterfall to fit your rack by loosening the (4) Phillips head screws (do not remove) and align them with the corresponding markers for your specific rack.
- 2) Tighten the (4) Phillips head screws.



For R2P: INSIDE MARKERS

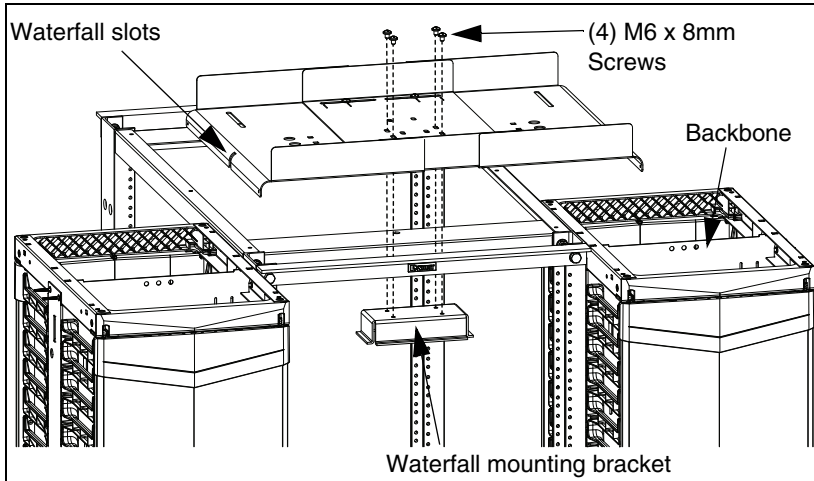
- 1) Align waterfall slots around the backbone part of the manager as shown.
- 2) Place waterfall mounting bracket under rack between the top angles so that flanges will stop the bracket. Align holes in bracket with holes in waterfall.
- 3) Fasten components together using (4) M6 x 8mm screws.



For R2P6S: INSIDE MARKERS

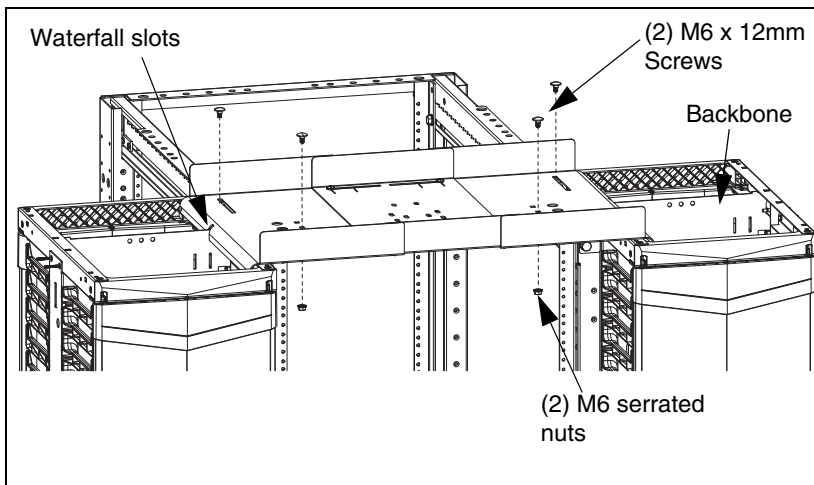
- 1) Align waterfall slots around the backbone part of the manager as shown.
- 2) Place waterfall mounting bracket under rack between the top angles so that the flanges will stop the bracket. Align holes in bracket with holes in waterfall.
- 3) Fasten components together using (4) M6 x 8mm screws.

Waterfall Installation for *PATCHRUNNER™* 2 Vertical Managers and Open Racks (Cont.)



For ER4P: INSIDE MARKERS

- 1) Align waterfall slots around the backbone part of the manager as shown.
- 2) Place waterfall mounting bracket under rack between the top angles so that flanges will stop the bracket. Align holes in bracket with holes in waterfall.
- 3) Fasten components together using (4) M6 x 8mm screws.



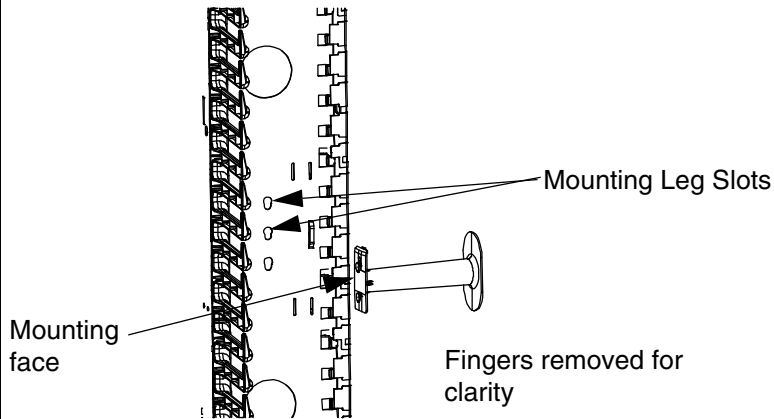
For R4P: OUTSIDE MARKERS

- 1) Align waterfall slots around the backbone part of the manager as shown.
- 2) Align holes in waterfall with holes in rack.
- 3) Fasten components together using (2) M6 x 12mm screws & (2) M6 serrated nuts.

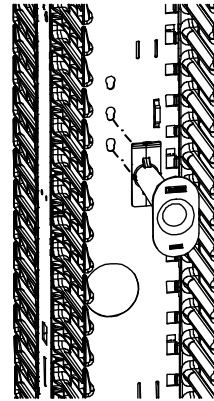
Other Compatible Accessories (sold separately)

Installation of Spools (PRSP5 or PRSP7)

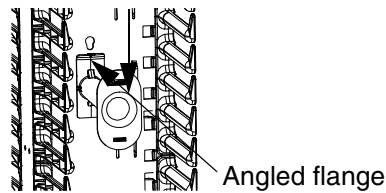
Step 1: Align buttons with mounting leg slot



Step 2: Push buttons through backbone until mounting face is flush with backbone.



Step 3: Apply downward pressure until plastic spool clicks into place.



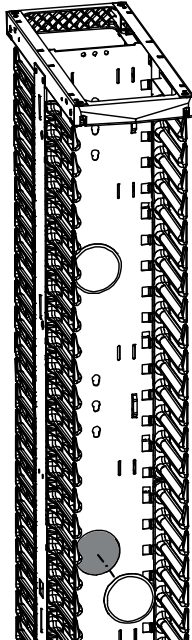
Spool Removal/Replacement

Step 4: Pull back on angled flange while applying upward pressure.

Step 5: Repeat steps 1-3.

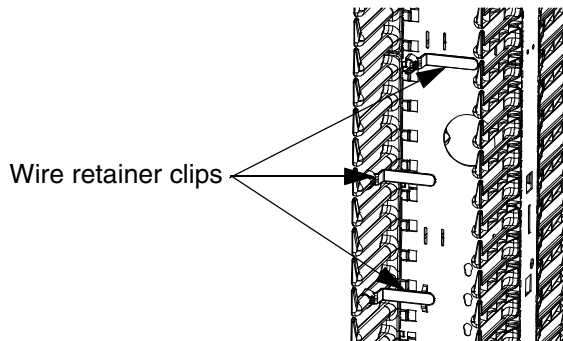
Installation of Hole Blanking Plugs (PR2VBPK)

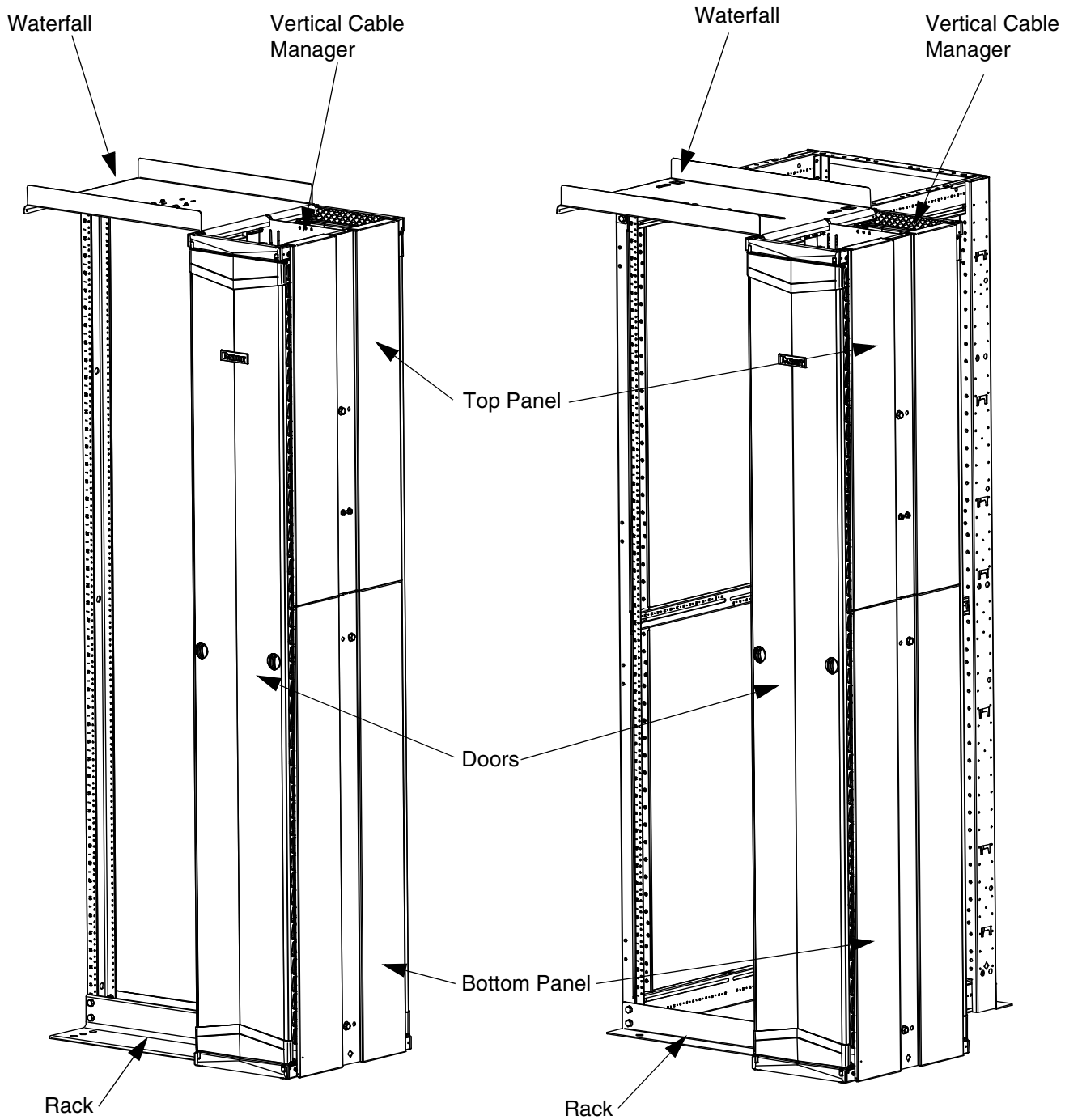
Press disks over pass through holes and press into place.



WR5E-X-Wire Retainer clips

To install Wire Retainer clips, place open end of clip around the leg of a finger on the vertical cable manager.





Vertical Cable Manager and Accessories on a 2-Post Rack

Vertical Cable Manager and Accessories on a 4-Post Rack

For Instructions in Local Languages and Technical Support:

www.panduit.com/resources/install_maintain.asp

PANDUIT

www.panduit.com

E-mail: techsupport@panduit.com

Phone: 866-405-6654