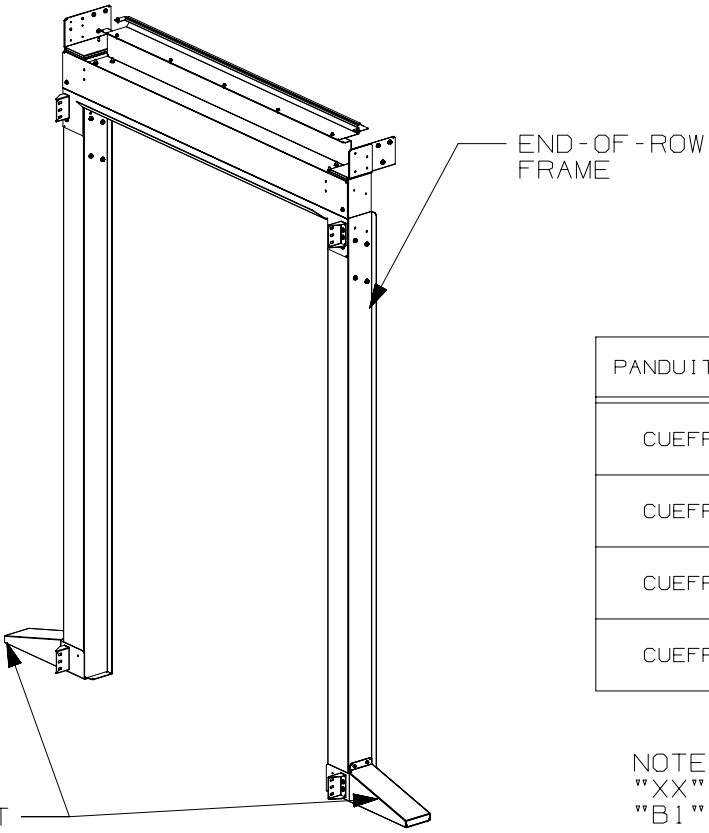


THIS COPY IS PROVIDED ON A RESTRICTED BASIS AND IS NOT TO BE USED IN ANY WAY DETRIMENTAL TO THE INTERESTS OF PANDUIT CORP.

NOTES:

1. VISIT OUR ONLINE CATALOG AT WWW.PANDUIT.COM FOR A LIST OF CURRENT PARTS APPLICABLE WITH THIS PRODUCT.
2. PRIMARY DIMENSIONS ARE MILLIMETERS (mm). DIMENSIONS IN PARENTHESES ARE IN INCHES (IN).
3. PARTS SUPPLIED:

- 1 - END-OF-ROW FRAME (UNASSEMBLED)
- 2 - SUPPORT PLATES
- 1 - HARDWARE KIT (NOT SHOWN)



END-OF-ROW FRAME

SUPPORT PLATES

42/45RU X 1200mm
VERSION SHOWN

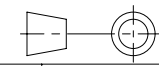
PANDUIT PART NO.	DESCRIPTION	WEIGHT
CUEFRT8W04XX	NET-CONTAIN UAC END OF ROW FRAME - 4Ft (1200mm) AISLE WIDTH 42RU/45RU HIGH	40.66 Kg/EACH (89.6 LBS/EACH)
CUEFRT8W06XX	NET-CONTAIN UAC END OF ROW FRAME - 6Ft (1800mm) AISLE WIDTH 42RU/45RU HIGH	60.21 Kg/EACH (132.8 LBS/EACH)
CUEFRT9W04XX	NET-CONTAIN UAC END OF ROW FRAME - 4Ft (1200mm) AISLE WIDTH 48RU/52RU HIGH	50.05 Kg/EACH (110.4 LBS/EACH)
CUEFRT9W06XX	NET-CONTAIN UAC END OF ROW FRAME - 6Ft (1800mm) AISLE WIDTH 48RU/52RU HIGH	73.29 Kg/EACH (161.6 LBS/EACH)

NOTE:

"XX" IN THE PART NUMBER DENOTES COLOR,
"B1" FOR BLACK AND "W1" FOR WHITE

REV	DATE	BY	CHK	APR	DESCRIPTION	ECN
01A	7/30/19	MEX-JAGC	FWI	ELE	REVISED GEOMETRY	V09002CC/01
00A	4/12/16	MEX-JAGC	WAB		RELEASED TO PRODUCTION	V09000UD/02

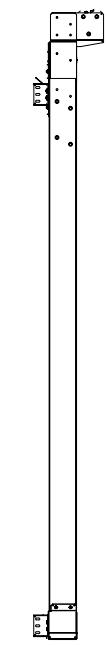
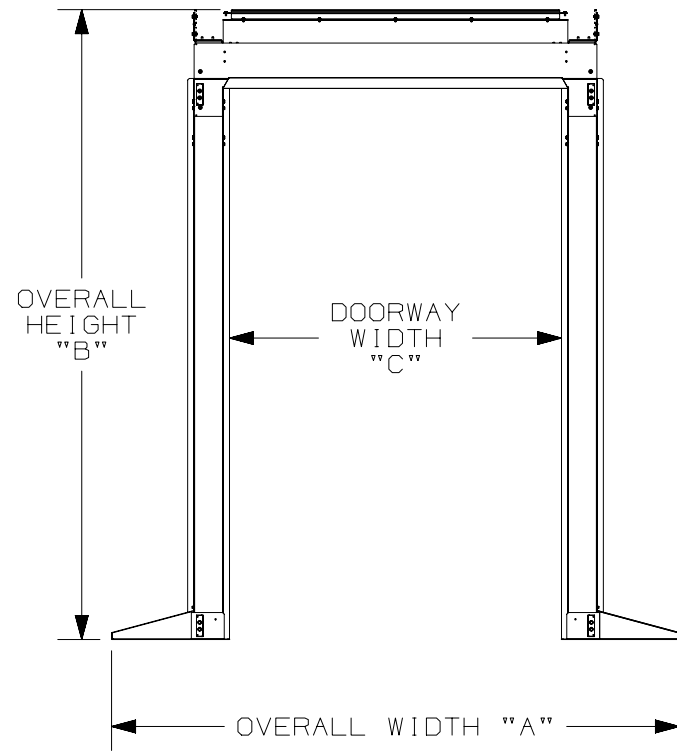
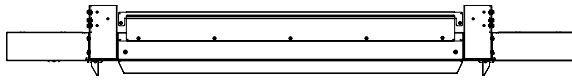
TITLE		NET-CONTAIN UAC END OF ROW FRAMES-V2		
CUSTOMER DRAWING				
ITEM REVISION NAME	15V530AF/01			
DATASET FILE NAME	15V530AF_DC/01A			
MATERIAL:	N/A			
DRAWING NUMBER:	15V530AF - DC			
DRAWN BY	DATE	CHK	SCALE	SIZE
MEX-JAGC	4/12/16		NONE	A



THIRD ANGLE PROJECTION

SHT 1 OF 2

THIS COPY IS PROVIDED ON A RESTRICTED BASIS AND IS NOT TO BE USED IN ANY WAY DETRIMENTAL TO THE INTERESTS OF PANDUIT CORP.



106 POST DEPTH
[4.2] EXTENDS BEYOND CABINET POD

PANDUIT PART NO.	DIM "A"	DIM "B"				DIM "C"
		42RU	45RU	48RU	52RU	
CUEFRT8W04XX	2104mm (82.8")	2209mm (87.0")	2333mm (91.9")	N/A	N/A	1230mm (48.4")
CUEFRT8W06XX	2141mm (84.3")	2209mm (87.0")	2333mm (91.9")	N/A	N/A	1307mm (51.5")
CUEFRT9W04XX	2104mm (82.8")	N/A	N/A	2467mm (97.1")	2644mm (104.0")	1230mm (48.4")
CUEFRT9W06XX	2141mm (84.3")	N/A	N/A	2467mm (97.1")	2644mm (104.0")	1307mm (51.5")

NOTE:
"XX" IN THE PART NUMBER DENOTES COLOR,
"B1" FOR BLACK AND "W1" FOR WHITE

REV	DATE	BY	CHK	APR	DESCRIPTION	ECN
01A	7/30/19	MEX-JAGC	FWI	ELE	SEE SHEET 1 FOR REVISIONS	V09002CC/01
00A	4/12/16	MEX-JAGC	WAB		SEE SHEET 1 OF 2 FOR REVISIONS	V09000UD/02

TITLE		NET-CONTAIN UAC END OF ROW FRAMES-V2		
ITEM REVISION NAME		CUSTOMER DRAWING		
DATASET FILE NAME		15V530AF/01	PANDUIT	
		15V530AF_DC/01A		
MATERIAL:		N/A		
DRAWING NUMBER:		15V530AF-DC		
DRAWN BY	DATE	CHK	SCALE	SHT 2 OF 2
MEX-JAGC	4/12/16		NONE	A