

THIS COPY IS PROVIDED ON A RESTRICTED BASIS AND IS NOT TO BE USED IN ANY WAY DETRIMENTAL TO THE INTERESTS OF PANDUIT CORP.

HSTT 12 - 48 Q 45

COLOR 45 = YELLOW/GREEN

QUANTITY PER CARTON (48 IN ONLY)

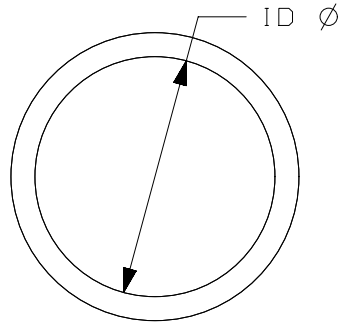
Q = 25pcs.  
5 = 5pcs.

LENGTH  
INCHES  
48

FEET:  
M=1000  
D=500  
T=200  
C=100  
L=50  
Q=25

TUBING SIZE - EXPANDED I.D.

TT = THIN WALL



**NOTES:**

1. SHRINK RATIO: 3-1
2. MATERIAL: CROSSLINKED POLYOLEFIN
3. "ALL WARRANTIES, INCLUDING MERCHANTABILITY AND FITNESS FOR A PARTICULAR PURPOSE, ARE EXCLUDED. (USER IS RESPONSIBLE TO DETERMINE SUITABILITY OF PRODUCT FOR INTENDED USE.)"
4. REELS OF PRODUCT ARE ALLOWED TO HAVE SPLICES.

PACK CODE	M	D	T	C	L	Q
ALLOWED SPLICES	4	3	2	1	1	0

PART NUMBER	Min. Expanded ID in. [mm]	Max. Recovered ID in. [mm]	Nominal Rec. Wall in. [mm]	Quantity
HSTT12-48-Q45				25 pc/pkg
HSTT12-M45	.125 [3.175]	.039 [.990]	.022 [.558]	1000 ft/reel
HSTT12-Q45				25 ft/reel
HSTT19-48-Q45				25 pc/pkg
HSTT19-M45	.187 [4.750]	.059 [1.498]	.024 [.609]	1000 ft/reel
HSTT19-Q45				25 ft/reel
HSTT25-48-Q45				25 pc/pkg
HSTT25-D45	.250 [6.350]	.079 [2.006]	.026 [.660]	500 ft/reel
HSTT25-Q45				25 ft/reel
HSTT38-48-Q45				25 pc/pkg
HSTT38-Q45	.375 [9.525]	.118 [2.997]	.030 [.762]	25 ft/reel
HSTT38-T45				200 ft/reel
HSTT50-48-545				5 pc/pkg
HSTT50-Q45	.500 [12.700]	.157 [3.987]		25 ft/reel
HSTT50-T45				200 ft/reel
HSTT75-48-545				5 pc/pkg
HSTT75-Q45	.750 [19.050]	.236 [5.994]	.033 [.838]	25 ft/reel
HSTT75-T45				200 ft/reel
HSTT100-48-545				5 pc/pkg
HSTT100-C45	1.000 [25.400]	.315 [8.001]	.039 [.990]	100 ft/reel

Panduit Part Number	Description (Combination Pack)	Quantity
HSTT-YK1-45	Heat Shrink Thin, Yellow/Green Various Sizes Smaller Range 2 Pc Ea of 1/8", 3/16", 1/4", 3/8"	8 pc/bag
HSTT-YK2-45	Heat Shrink Thin, Yellow/Green Various Sizes Large Range 2 Pc Ea of 3/8", 1/2", 3/4"	6 pc/bag

TITLE  
**HSTT THIN WALL HEAT SHRINKABLE TUBING YELLOW/GREEN**  
CUSTOMER DRAWING

ITEM REVISION NAME  
G03597PQ/00

DATASET FILE NAME  
G03597PQ\_DC\_HSTT/00

UNLESS OTHERWISE SPECIFIED, DIMENSIONAL TOLERANCES ARE: IN [ mm ]  
.X ± .XXX ±  
.XX ± ANGLES ±

MATERIAL:  
**SEE NOTE 2**

DRAWING NUMBER:  
G03597PQ\_DC

THIRD ANGLE PROJECTION

0	9/19/19	RVU	DAPE	JHAC	DRAWING RELEASE.	GAECN04997
---	---------	-----	------	------	------------------	------------

REV	DATE	BY	CHK	APR	DESCRIPTION	ECN	DRAWN BY	DATE	CHK	SCALE	SHT 1 OF 1	SIZE
							RVU	9/19/19	JHAC	NONE		A

D10100DA/20