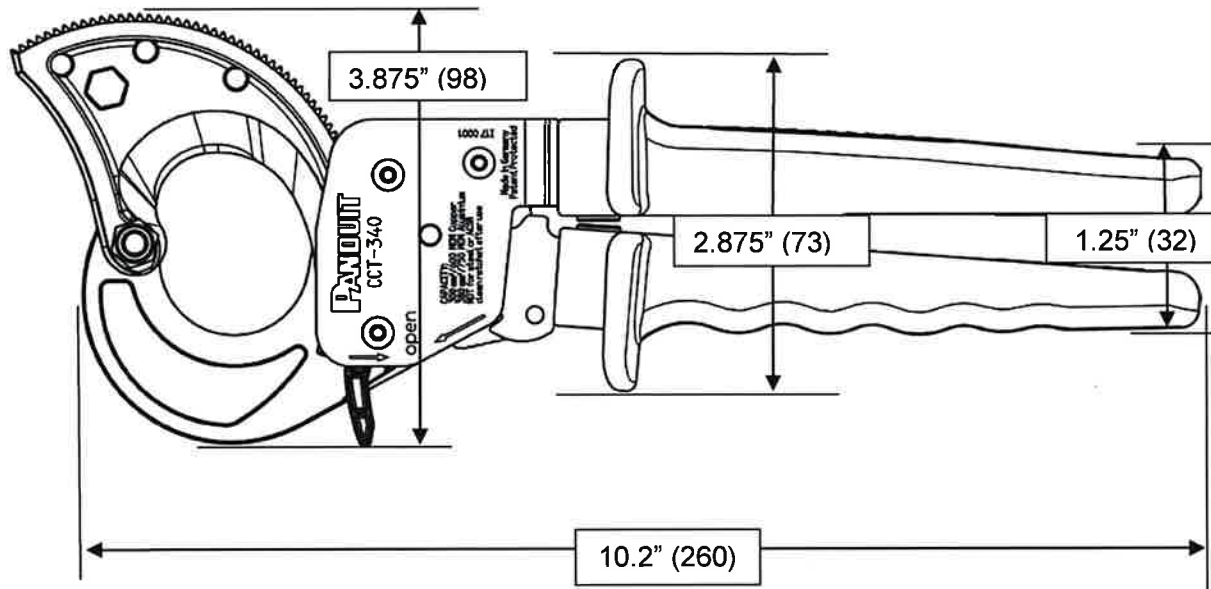


THIS COPY IS PROVIDED ON A RESTRICTED BASIS AND IS NOT TO BE USED IN ANY WAY DETRIMENTAL TO THE INTERESTS OF PANDUIT CORP.



**NOTES, UNLESS OTHERWISE SPECIFIED:**  
PANDUIT TOOL NUMBER: CCT-340

**THIS TOOLS' FEATURES INCLUDE:**

- One hand operation due to an optimal force transmission ratio and a stepwise cutting up to 1.33" (34mm) diameter.
- Unlocking possibility in every position.
- All parts made of high tempered special steel.
- Blades and stressed parts are specially tempered or hardened.
- Tool has a burnished surface.
- Tool has ergonomically formed soft-handle grips.
- Tool is RoHS compliant and fully recyclable.
- Tool cuts both Copper and Aluminum solid cables from 1/4" (6mm) to 1" (25.4mm) and stranded cables up to 1.33" (34mm) in diameter.
- DO NOT USE THIS TOOL TO CUT STEEL OR ASCR CABLE.

APPROX. DIMENSIONS: 10.2" (260) Long x 3.875" (98) Wide x 1.31" (33) Thick  
TOOL WEIGHT: 21oz., (600gr.)

DIMENSIONS SHOWN IN (PARENTHESES) ARE METRIC.

File Location: TeamCenter

**CD \* CCT-340 CABLE CUTTER**

CUSTOMER DRAWING

ITEM REVISION NAME:

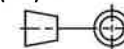
**CG29167A01\_00**

**PANDUIT**

UNLESS OTHERWISE SPECIFIED,  
DIMENSIONAL TOLERANCES ARE:

(.x) ± --- (.xxx) ± ---  
(.xx) ± --- ANGLES ± ---

MATERIAL:



THIRD ANGLE  
PROJECTION

DRAWING NUMBER:  
**CG29167A01**

DRAWN BY:  
BLR

DATE:  
2-13-18

CHK  
---

SCALE  
NONE

SHT 1 OF 1

SIZE  
A

00	2-13-18	BLR		JADE	RELEASED	22430
REV	DATE	BY	CHK	APR	DESCRIPTION	ECN