

THIS COPY IS PROVIDED ON A RESTRICTED BASIS AND IS NOT TO BE USED IN ANY WAY DETRIMENTAL TO THE INTERESTS OF PANDUIT CORP.

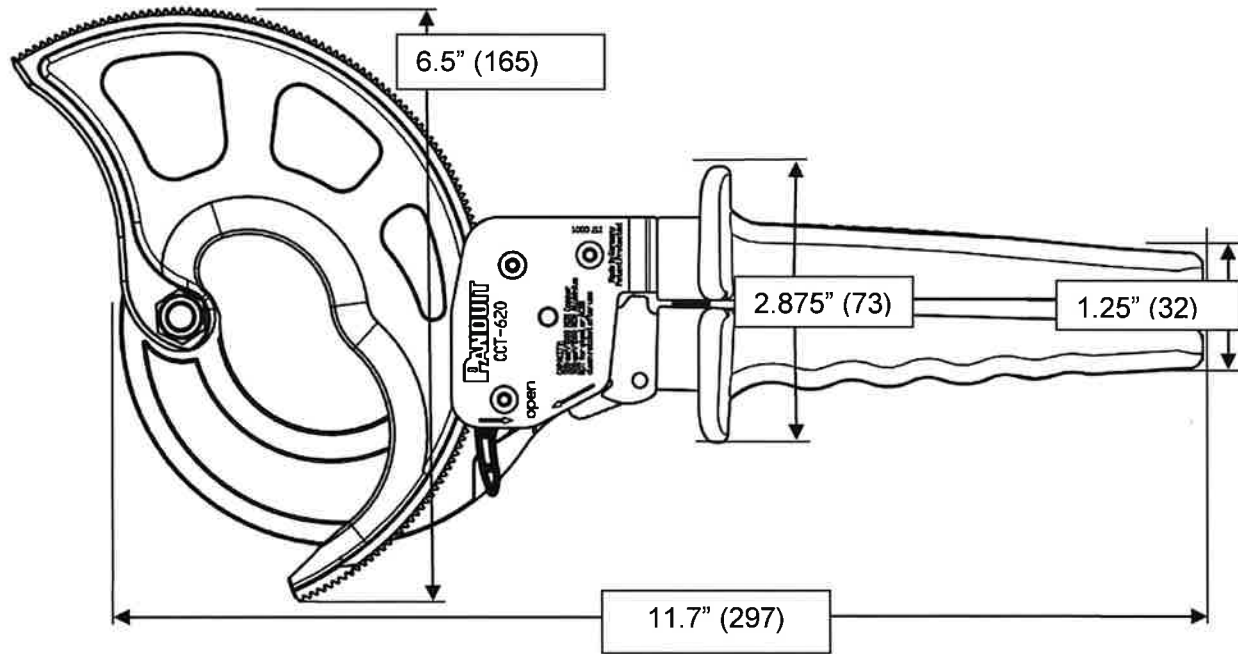
NOTES, UNLESS OTHERWISE SPECIFIED:
 PANDUIT TOOL NUMBER: CCT-620

THIS TOOLS' FEATURES INCLUDE:

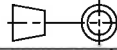

- One hand operation due to an optimal force transmission ratio and a stepwise cutting up to 2.44" (62mm) diameter.
- Unlocking possibility in every position.
- All parts made of high tempered special steel.
- Blades and stressed parts are specially tempered or hardened.
- Tool has a burnished surface.
- Tool has ergonomically formed soft-handle grips.
- Tool is RoHS compliant and fully recyclable.
- Tool cuts both Copper and Aluminum solid and stranded cables up to 2.44" (62mm) in diameter.
- DO NOT USE THIS TOOL TO CUT STEEL OR ASCR CABLE.

APPROX. DIMENSIONS: 11.7" (297) Long x 6.5" (165) Wide x 1.31" (33) Thick
 TOOL WEIGHT: 28.2oz., (800gr.)

DIMENSIONS SHOWN IN PARENTHESES ARE METRIC.



File Location: TeamCenter

| | | | | | | | | | | | | |
|------------|----------------|------------|---|-------------|--------------------|--|------------------|-------------------|------------|--------------|-------------------|-------------|
| | | | | | | CD * CCT-620 CABLE CUTTER | | | | | | |
| | | | | | | CUSTOMER DRAWING | | | | | | |
| | | | | | | ITEM REVISION NAME: | | PANDUIT | | | | |
| | | | | | | CG29168A01_00 | | | | | | |
| | | | | | | UNLESS OTHERWISE SPECIFIED, DIMENSIONAL TOLERANCES ARE: | | MATERIAL: | | | | |
| | | | | | | (.x) ± --- (.xxx) ± --- (.xx) ± --- ANGLES ± --- | | DRAWING NUMBER: | | | | |
| | | | | | |  THIRD ANGLE PROJECTION | | CG29168A01 | | | | |
| 00 | 2-13-18 | BLR |  | <i>JADE</i> | RELEASED | 22430 | DRAWN BY: | DATE: | CHK | SCALE | SHT 1 OF 1 | SIZE |
| REV | DATE | BY | CHK | APR | DESCRIPTION | ECN | BLR | 2-13-18 | --- | NONE | | A |