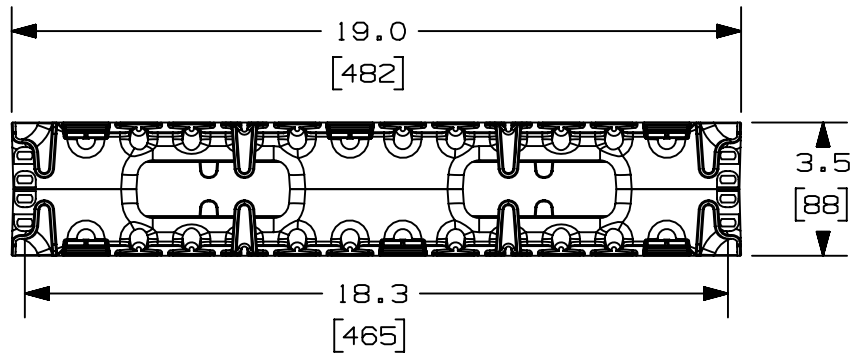


2

1

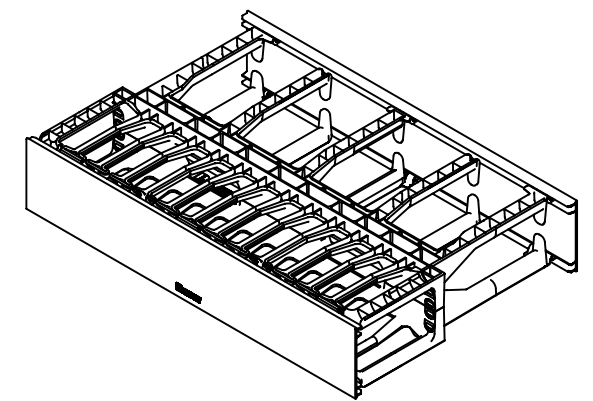
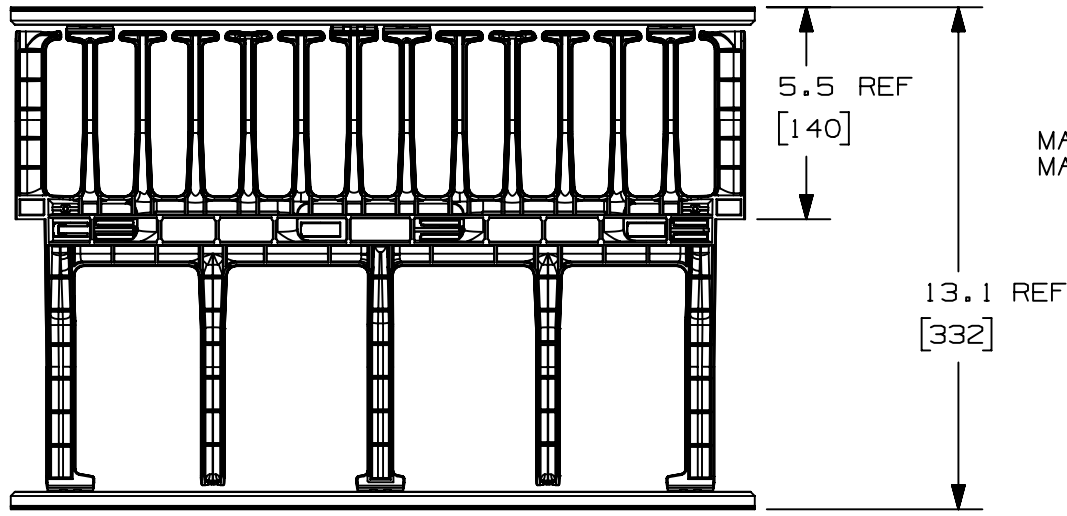
THIS COPY IS PROVIDED ON A RESTRICTED BASIS AND IS NOT TO BE USED IN ANY WAY DETRIMENTAL TO THE INTERESTS OF PANDUIT CORP.



PANDUIT P/N	WEIGHT
NM2	2.5 LBS/EACH 1134g/EACH
NM2WH	2.5 LBS/EACH 1134g/EACH

- NOTES:
- VISIT OUR ON-LINE CATALOG AT [WWW.PANDUIT.COM](http://WWW.PANDUIT.COM) FOR A CURRENT LIST OF PRODUCTS APPLICABLE FOR USE WITH THIS PART.
  - COMPONENTS:  
1- 2RU MANAGER (FRONT AND REAR)  
2- 2RU 19" COVERS
  - DIMENSIONS IN PARENTHESIS ARE METRIC.

MAX STORAGE TEMPERATURE 65°C (149°F)  
MAX OPERATING TEMPERATURE 60°C (140°F)



B

B

A

A

DI10100DA/15

REV	DATE	BY	CHK	APR	DESCRIPTION	ECN
06B	4-17-20	JBO	JCO	JEFK	ADDED TEMPERATURE NOTE	M09000LT

TITLE <b>NET MANAGER 2 RU FRONT AND REAR</b>						CUSTOMER DRAWING	
ITEM REVISION NAME <b>V10404AA/06</b>						<b>PANDUIT</b>	
DATASET FILE NAME <b>V10404AA_DC/06B</b>							
UNLESS OTHERWISE SPECIFIED, DIMENSIONAL TOLERANCES ARE: IN [mm]						MATERIAL:	
.x ± .1 [2.54]      .xxx ± .005 [0.127]						MANAGER: ABS 2RU COVER: PVC	
.xx ± .01 [0.25]      ANGLES ± 5°						DRAWING NUMBER:	
						10404-20	
DRAWN BY	DATE	CHK	SCALE			SHT 1 OF 1	SIZE
BAME	3-6-07	TCK	NONE				A

2

1