

Net-Verse™ D-Type Cabinets

specifications

The Net-Verse™ D-Type versatile cabinets shall consist of a welded and assembled steel frame construction available in 600mm (23.6") and 800mm (31.5") widths, 1000mm (39.4") and 1200mm (47.2") depths, and 42 RU, 45 RU, and 48 RU heights. Cabinets shall include curved perforated front single hinge doors with 69% air flow rate and split rear perforated doors. Cabinet shall have two horizontal side panels on each side or optional as an accessory. The cabinet shall have fully adjustable equipment rails with provision for front (800mm wide) cable management fingers (fingers can be purchased separately or installed with the cabinet indicated by *F). The top of cabinet includes brush cable entry points to prevent air leakage. Cabinets shall have optional equipment rails, vertical blanking panels and bottom panels for effective air sealing. Cabinet shall have two full height PDU brackets, one on each side. The entire cabinet shall be fully electrically bonded, including equipment rails, doors, and side panels. Cabinets shall have static 1500kg (3300 lbs.) load rating and rolling 500kg (1100 lbs.) load rating.



technical information

Dimensions:	600mm W (23.6") x 1000mm D (39.4") x 2045mm H (80.5") 600mm W (23.6") x 1000mm D (39.4") x 2178mm H (85.8") 600mm W (23.6") x 1000mm D (39.4") x 2311mm H (91.1") 600mm W (23.6") x 1200mm D (47.2") x 2045mm H (80.5") 600mm W (23.6") x 1200mm D (47.2") x 2178mm H (85.8") 600mm W (23.6") x 1200mm D (47.3") x 2311mm H (91.1") 800mm W (31.5") x 1000mm D (39.4") x 2045mm H (80.5") 800mm W (31.5") x 1000mm D (39.4") x 2178mm H (85.8") 800mm W (31.5") x 1000mm D (39.4") x 2311mm H (91.1") 800mm W (31.5") x 1200mm D (47.2") x 2045mm H (80.5") 800mm W (31.5") x 1200mm D (47.2") x 2178mm H (85.8") 800mm W (31.5") x 1200mm D (47.3") x 2311mm H (91.1")
Material:	Steel with durable black or white powder coat finish
Compliance:	EIA-310-E / TIA/EIA-942 / UL2416
Packaging:	Cabinet ships assembled, one per pallet

Net-Verse™ Cabinets

		800mm Width	600mm Width	
With Side Panels	42 RU	DAE8212*	DAE6212*	1000mm Depth
	45 RU	DAE8512*	DAE6512*	
	48 RU	DAE8812*	DAE6812*	
	42 RU	DAE8222*	DAE6222*	1200mm Depth
	45 RU	DAE8522*	DAE6522*	
	48 RU	DAE8822*	DAE6822*	
With Cable Management Fingers	42 RU	DAE8212*F	NA	1000mm Depth
	45 RU	DAE8512*F		
	48 RU	DAE8812*F		
	42 RU	DAE8222*F	NA	1200mm Depth
	45 RU	DAE8522*F		
	48 RU	DAE8822*F		
Without Side Panels	42 RU	DAE8219*	DAE6219*	1000mm Depth
	45 RU	DAE8519*	DAE6519*	
	48 RU	DAE8819*	DAE6819*	
	42 RU	DAE8229*	DAE6229*	1200mm Depth
	45 RU	DAE8529*	DAE6529*	
	48 RU	DAE8829*	DAE6829*	
With Cable Management Fingers	42 RU	DAE8219*F	NA	1000mm Depth
	45 RU	DAE8519*F		
	42 RU	DAE8229*F	NA	1200mm Depth
	45 RU	DAE8529*F		
48 RU	DAE8829*F			

*Available in Black (B) or White (W)

key features and benefits

Doors	Curved perforated front single hinge doors with 69% air flow rate with two point locking system; perforated split hinge rear doors with three point locking system
Equipment rails	Fully adjustable cage nut equipment rails with RU marked to ensure correct location of IT equipment
Universal PDU brackets	Full height PDU brackets with provisions for securing and bundling cables
Horizontally split side panels	Provide easy secured access to installed equipment
Modular cable management fingers (Optional)	Provides bend radius control for each rack unit and can be positioned where required on cabinet posts for cable protection for increased network availability; provides design flexibility, scalability, and improved aesthetics for easier moves, adds, and changes; cabinets with fingers installed will be noted with *F, all other cabinets will require fingers purchased separately
Durable coating	Cabinets are powder coated in a durable, low maintenance paint in black (RAL 9005) or white (RAL 9002)

applications

Net-Verse™ D-Type Cabinets are the preferred choice for applications that require maximum flexibility and the capacity to manage high cable density in data center, enterprise or co-location deployment. The Net-Verse™ D-Type Cabinets are also compatible with Panduit cable management accessories and the Net-Contain™ Universal Aisle Containment System.

www.panduit.com/networkzone

Front Doors

42 RU x 600mm:	D62FDE*
45 RU x 600mm:	D65FDE*
48 RU x 600mm:	D68FDE*
42 RU x 800mm:	D82FDE*
45 RU x 800mm:	D85FDE*
48 RU x 800mm:	D88FDE*

Rear Doors

42 RU x 600mm:	D62RDE*
45 RU x 600mm:	D65RDE*
48 RU x 600mm:	D68RDE*
42 RU x 800mm:	D82RDE*
45 RU x 800mm:	D85RDE*
48 RU x 800mm:	D88RDE*

Side Panels

42 RU x 1000mm:	D21SP*
45 RU x 1000mm:	D51SP*
48 RU x 1000mm:	D81SP*
42 RU x 1200mm:	D22SP*
45 RU x 1200mm:	D52SP*
48 RU x 1200mm:	D82PS*

Front and Rear Door Mounting Kit

42 RU:	NVMK42
45 RU:	NVMK45
48 RU:	NVMK48

Vertical Blanking Panels

600mm:	D6VBP*
800mm:	D8VBP*

Bottom Cover Plates

600mm wide x 1000mm depth:	D61BCP*
600mm wide x 1200mm depth:	D62BCP*
800mm wide x 1000mm depth:	D81BCP*
800mm wide x 1200mm depth:	D82BCP*

Tapped Equipment Rails

42 RU:	D2ERT*
45 RU:	D5ERT*
48 RU:	D8ERT*

Cage Nut Equipment Rails

42 RU:	D2ER*
45 RU:	D5ER*
48 RU:	D8ER*

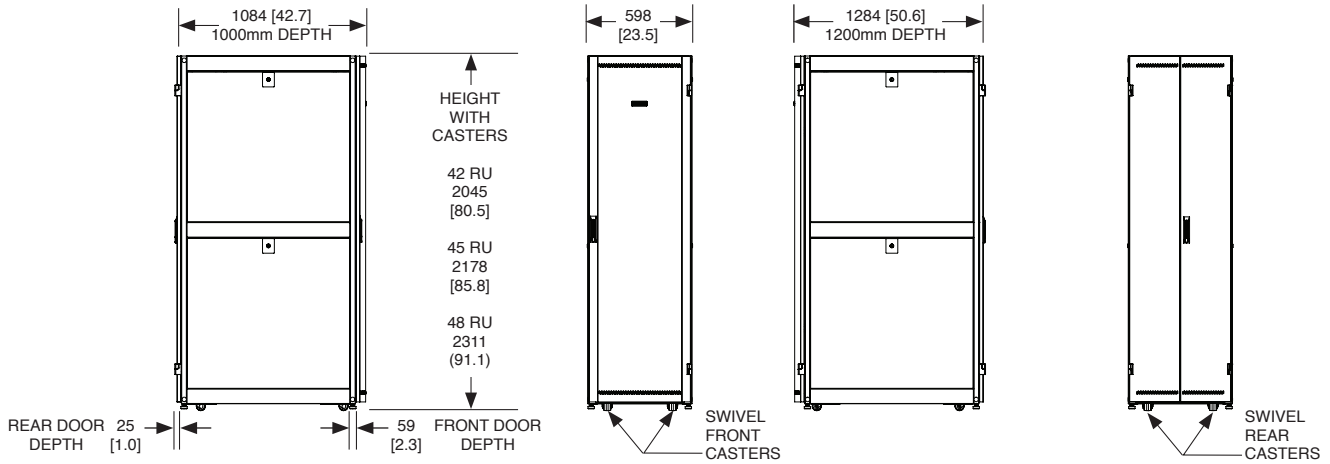
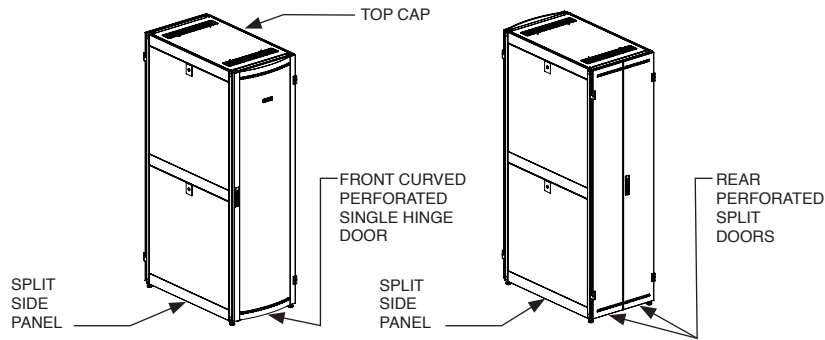
PDU/Cable Management Bracket

42 RU:	D2CM*
45 RU:	D5CM*
48 RU:	D8CM*

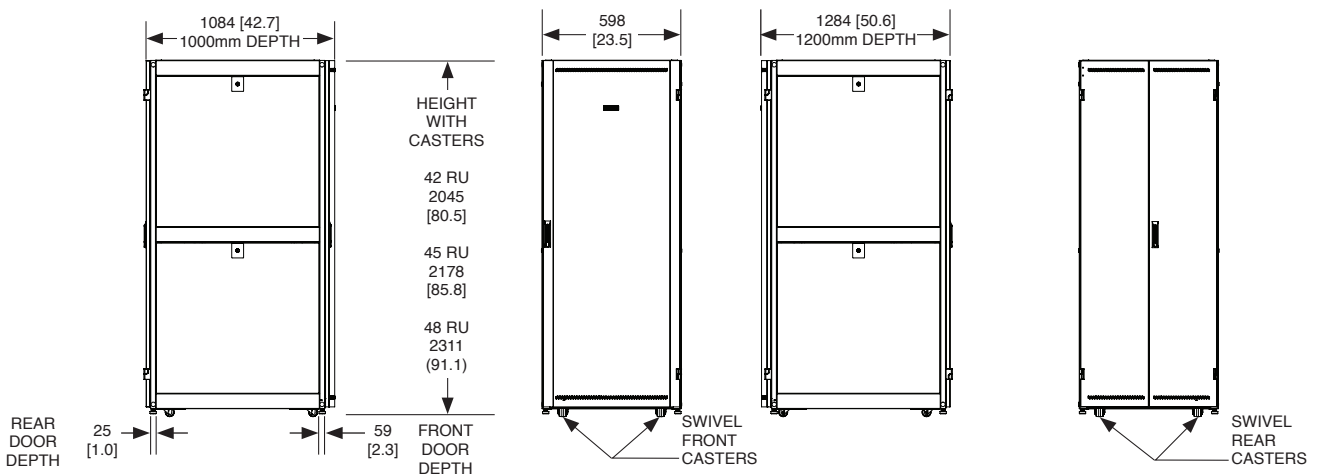
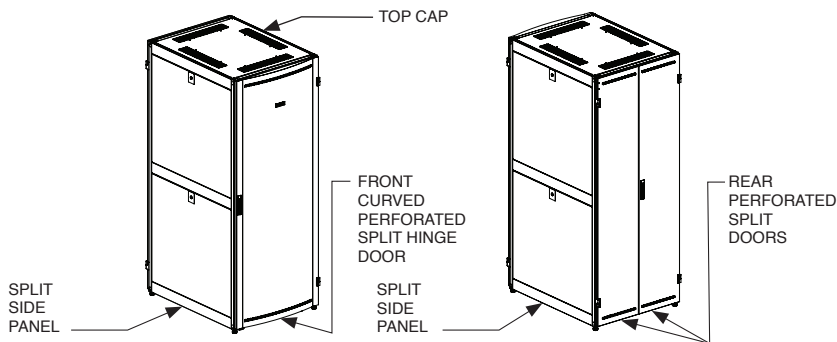
*Available in Black (B) or White (W)

Net-Verse™ D-Type Cabinets

Net-Verse™ D-Type Cabinet 600mm W x 42/45/48 RU x 1000mm/1200mm D



Net-Verse™ D-Type Cabinet 800mm W x 42/45/48 RU x 1000mm/1200mm D



Dimensions are in inches. [Dimensions in brackets are metric].

WORLDWIDE SUBSIDIARIES AND SALES OFFICES

PANDUIT US/CANADA
Phone: 800.777.3300

PANDUIT EUROPE LTD.
London, UK
Phone: 44.20.8601.7200

PANDUIT SINGAPORE PTE. LTD.
Republic of Singapore
Phone: 65.6305.7575

PANDUIT JAPAN
Tokyo, Japan
Phone: 81.3.6863.6000

PANDUIT LATIN AMERICA
Guadalajara, Mexico
Phone: 52.33.3777.6000

PANDUIT AUSTRALIA PTY. LTD.
Victoria, Australia
Phone: 61.3.9794.9020

For a copy of Panduit product warranties, log on to www.panduit.com/warranty

For more information

Visit us at www.panduit.com

Contact Customer Service by email: cs@panduit.com
or by phone: 800.777.3300

© 2020 Panduit Corp.
ALL RIGHTS RESERVED.
RKSP191--WW-ENG
7/2020