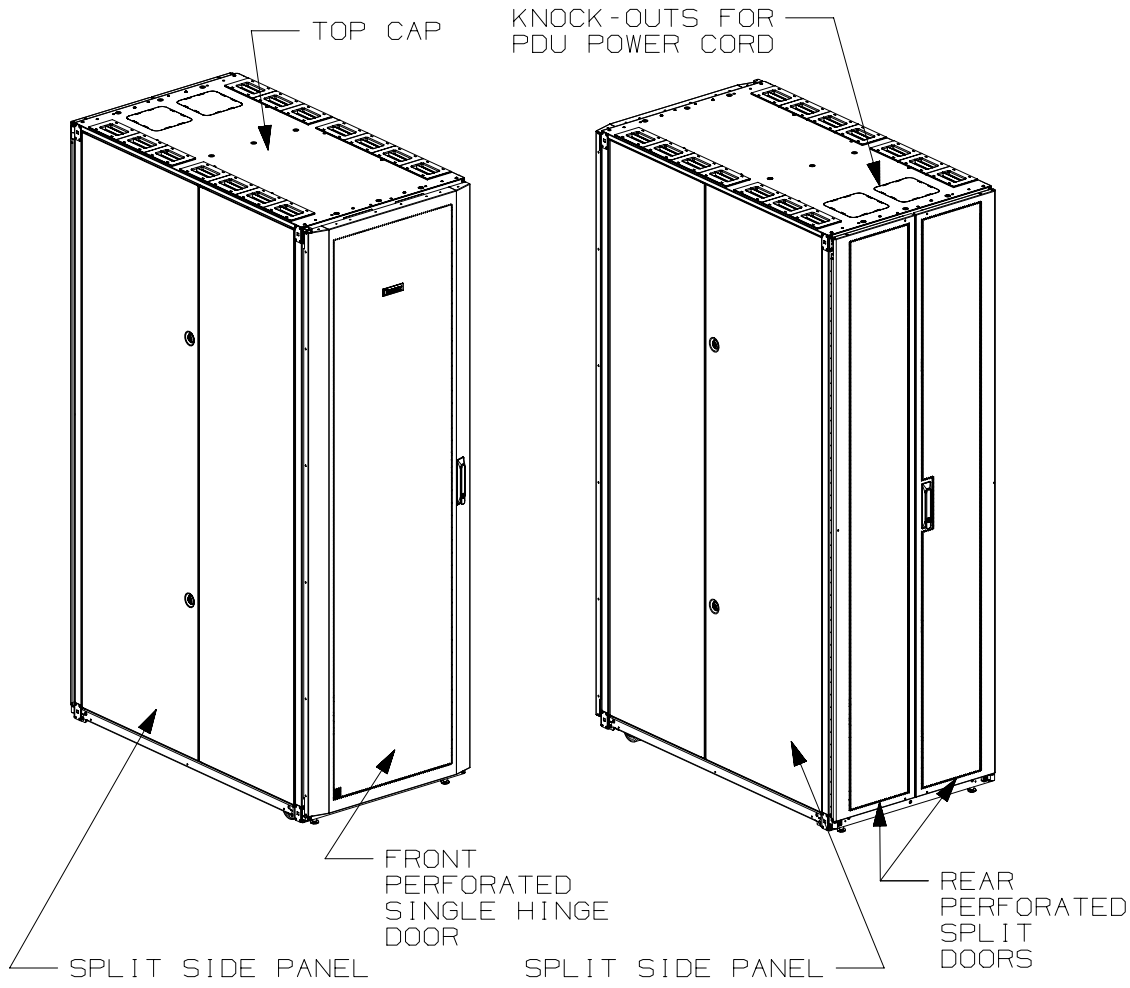


THIS COPY IS PROVIDED ON A RESTRICTED BASIS AND IS NOT TO BE USED IN ANY WAY DETRIMENTAL TO THE INTERESTS OF PANDUIT CORP.



1. VISIT OUR ON-LINE CATALOG AT WWW.PANDUIT.COM FOR A LIST OF CURRENT PARTS APPLICABLE FOR USE WITH THIS PRODUCT.
2. PRIMARY DIMENSIONS ARE IN MILLIMETERS.
3. RAIL ADJUSTMENT MEASUREMENTS ARE TAKEN FROM THE FRONT FACE OF EACH EQUIPMENT RAIL. INDEPENDENT ADJUSTABLE REAR EQUIPMENT MOUNTING RAILS (EIA) ADJUST FROM 141mm [5.5in] TO 532mm [20.9in] AND FROM 583mm [22.9in] TO 1085mm [42.7in] WITH PDU BRACKETS AND CABLE MANAGEMENT FINGERS IN PLACE.
4. CAN BE USED WITH ANY 19" EIA STANDARD COMPONENT IN ADDITION TO ALL PANDUIT HORIZONTAL CABLE MANAGEMENT AND PATCH PANEL PRODUCTS.
5. EIA UNIVERSAL STANDARD HOLE PROGRESSION ON EQUIPMENT RAILS 15.88mm [.625in], 15.88mm [.625in], 12.70mm [.5in], 15.88mm [.625in], 15.88mm [.625in], 12.7mm [.5in]...ETC.
6. PARTS SUPPLIED:
  - BASE CABINET
  - FRONT PERFORATED SINGLE HINGE DOOR (SEE CHART ON SHEET 2)
  - REAR PERFORATED SPLIT DOOR (SEE CHART ON SHEET 2)
  - EQUIPMENT RAILS FRONT & REAR (SEE CHART ON SHEET 2)
  - PDU BRACKETS (SEE CHART ON SHEET 2)
  - CASTERS (SEE CHART ON SHEET 2)
  - INSTRUCTION SHEET
7. RACK UNIT SPACING NUMERALS ARE CLEARLY PRINTED ON EQUIPMENT MOUNTING RAILS.
8. FULLY BONDED STRUCTURE WHEN ASSEMBLED PER INSTRUCTIONS.
9. STATIC LOAD RATING. 1360 Kg (3000 LBS)
10. ROLLING LOAD RATING. 1133 Kg (2500 LBS)
11. SINGLE POINT GROUND LOCATIONS AT TOP AND BOTTOM OF CABINET.
12. ALL CABINET RAILS ARE INSTALLED NUMBERS UP.
13. MAXIMUM EQUIPMENT DEPTH, 1111mm [43.75].

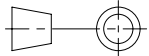
REV	DATE	BY	CHK	APR	DESCRIPTION	ECN
03A	8-20-2020	RAMA	ELE	ELE	REMOVED ALL PART NUMBERS ENDING WITH "S"	V09000BX
01A	10-08-14	PBS	ADP	TCN	FLOOR MOUNT DIMENSIONS UPDATED	V09000BX
00B	5-14-13	MDCA	JDW	JDWE	REVISED CHART	12V305TK-DC
00A	8-29-12	TWV	JDW	PBD	RELEASED TO PRODUCTION	12V305TK-DC

TITLE		NET-ACCESS S TYPE CABINET 700mm WIDE X 1200mm DEEP FAMILY		
		CUSTOMER DRAWING		
ITEM REVISION NAME		12V305TK/03.PRT		
DATASET FILE NAME		12V305TK_DC/03A.PRT		
		MATERIAL:  N/A		
		DRAWING NUMBER: 12V305TK-DC		
DRAWN BY		DATE	CHK	SCALE
T WV		8-29-12	JDW	NONE
		THIRD ANGLE PROJECTION		
		SHT 1 OF 5		
		SIZE A		

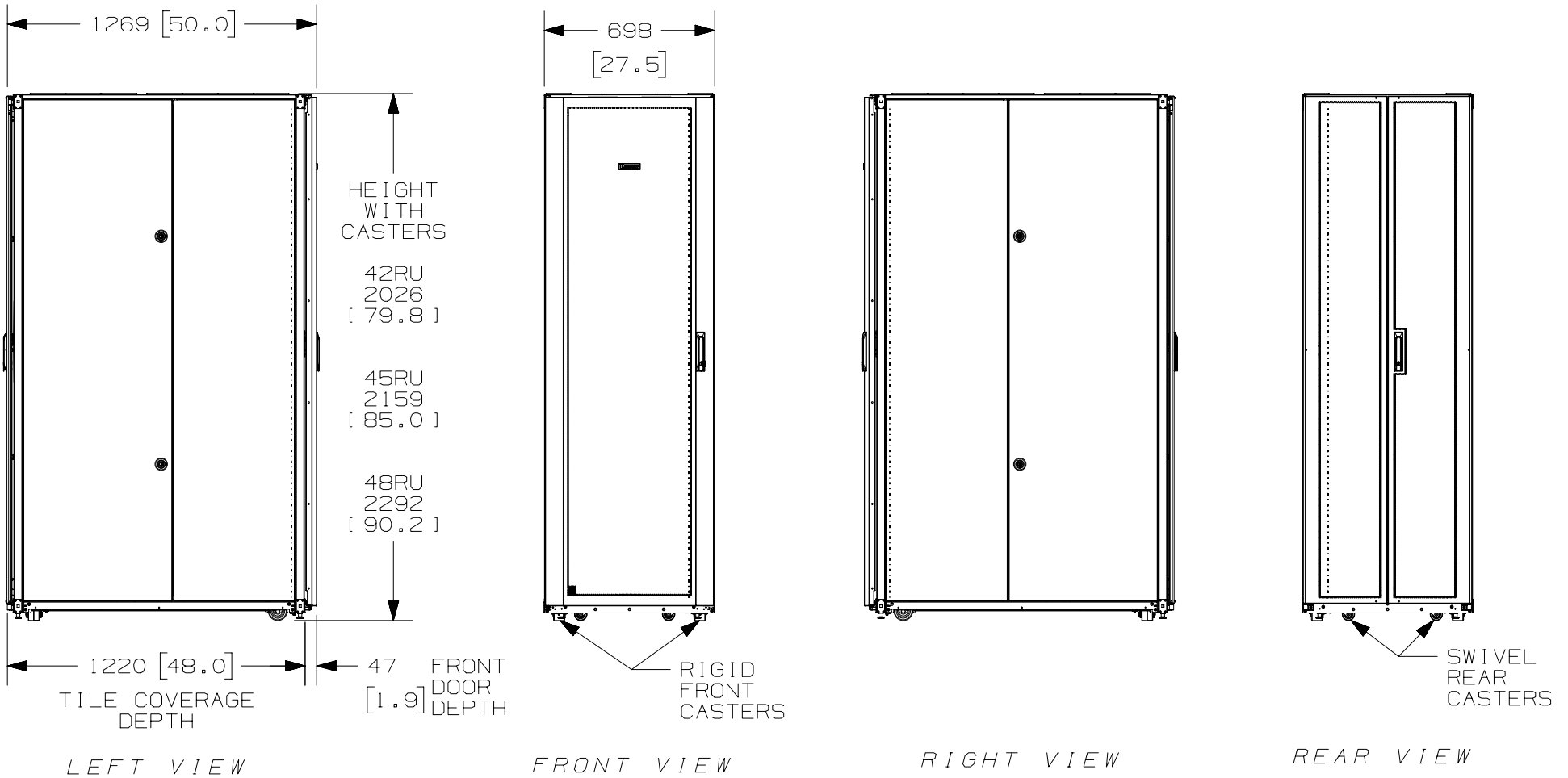
THIS COPY IS PROVIDED ON A RESTRICTED BASIS AND IS NOT TO BE USED IN ANY WAY DETRIMENTAL TO THE INTERESTS OF PANDUIT CORP.

PART NO.	DESCRIPTION	SINGLE HINGE FRONT DOOR	SPLIT REAR DOOR	SPLIT SIDE PANEL	FRONT CAGE NUT E-RAIL	REAR CAGE NUT FINGER MGMT E-RAIL	REAR CAGE NUT VERTICAL PATCH E-RAIL	STANDARD PDU BRACKETS	CASTERS	CABLE MGMT FINGERS	VERTICAL PATCHING	CABINET WEIGHT FULLY UNPACKAGED	CABINET WEIGHT SHIPPING WEIGHT
S7222*	NET-ACCESS S-TYPE CABINET 700mm X 42RU X 1200mm DEEP	01	01	02	02	02	00	02	04	00	00	139 Kg/EACH 307 LBS/EACH	160 Kg/EACH 352 LBS/EACH
S7522*	NET-ACCESS S-TYPE CABINET 700mm X 45RU X 1200mm DEEP	01	01	02	02	02	00	02	04	00	00	146 Kg/EACH 322 LBS/EACH	166 Kg/EACH 367 LBS/EACH
S7822*	NET-ACCESS S-TYPE CABINET 700mm X 48RU X 1200mm DEEP	01	01	02	02	02	00	02	04	00	00	153 Kg/EACH 337 LBS/EACH	173 Kg/EACH 382 LBS/EACH
S7229*	NET-ACCESS S-TYPE CABINET 700mm X 42RU X 1200mm DEEP	01	01	00	02	02	00	02	04	00	00	99 Kg/EACH 219 LBS/EACH	120 Kg/EACH 264 LBS/EACH
S7529*	NET-ACCESS S-TYPE CABINET 700mm X 45RU X 1200mm DEEP	01	01	00	02	02	00	02	04	00	00	106 Kg/EACH 235 LBS/EACH	127 Kg/EACH 280 LBS/EACH
S7829*	NET-ACCESS S-TYPE CABINET 700mm X 48RU X 1200mm DEEP	01	01	00	02	02	00	02	04	00	00	113 Kg/EACH 250 LBS/EACH	134 Kg/EACH 295 LBS/EACH
S7222*F	NET-ACCESS S-TYPE CABINET 700mm X 42RU X 1200mm DEEP	01	01	02	02	02	00	02	04	01	00	140 Kg/EACH 309 LBS/EACH	160 Kg/EACH 354 LBS/EACH
S7522*F	NET-ACCESS S-TYPE CABINET 700mm X 45RU X 1200mm DEEP	01	01	02	02	02	00	02	04	01	00	147 Kg/EACH 324 LBS/EACH	167 Kg/EACH 369 LBS/EACH
S7822*F	NET-ACCESS S-TYPE CABINET 700mm X 48RU X 1200mm DEEP	01	01	02	02	02	00	02	04	01	00	154 Kg/EACH 339 LBS/EACH	174 Kg/EACH 384 LBS/EACH
S7229*F	NET-ACCESS S-TYPE CABINET 700mm X 42RU X 1200mm DEEP	01	01	00	02	02	00	02	04	01	00	100 Kg/EACH 221 LBS/EACH	121 Kg/EACH 266 LBS/EACH
S7529*F	NET-ACCESS S-TYPE CABINET 700mm X 45RU X 1200mm DEEP	01	01	00	02	02	00	02	04	01	00	107 Kg/EACH 237 LBS/EACH	128 Kg/EACH 282 LBS/EACH
S7829*F	NET-ACCESS S-TYPE CABINET 700mm X 48RU X 1200mm DEEP	01	01	00	02	02	00	02	04	01	00	114 Kg/EACH 252 LBS/EACH	135 Kg/EACH 297 LBS/EACH

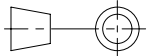
\* DENOTES COLOR  
 "B" = BLACK  
 "W" = WHITE

						TITLE		NET-ACCESS S TYPE CABINET 700mm WIDE X 1200mm DEEP FAMILY CUSTOMER DRAWING							
						ITEM REVISION NAME		12V305TK/03.PRT							
						DATASET FILE NAME		12V305TK_DC/03A.PRT							
						MATERIAL:		<b>PANDUIT</b> N/A							
						DRAWING NUMBER:		12V305TK - DC							
03A	8/20/2020	RAMA	ELE	ELE	SEE SHEET 1 OF 5 FOR REVISIONS	V09000BX		 THIRD ANGLE PROJECTION		DRAWN BY: TWV DATE: 8-29-12 CHK: JDW SCALE: NONE		SHT 2 OF 5		SIZE: A	
00B	5-14-13	MDCA	JDW	JDWE	SEE SHEET 1 OF 5 FOR REVISIONS	12V305TK-DC									
00A	8-29-12	TWV	JDW	PBD	SEE SHEET 1 OF 5 FOR REVISIONS	12V305TK-DC									
REV	DATE	BY	CHK	APR	DESCRIPTION	ECN									

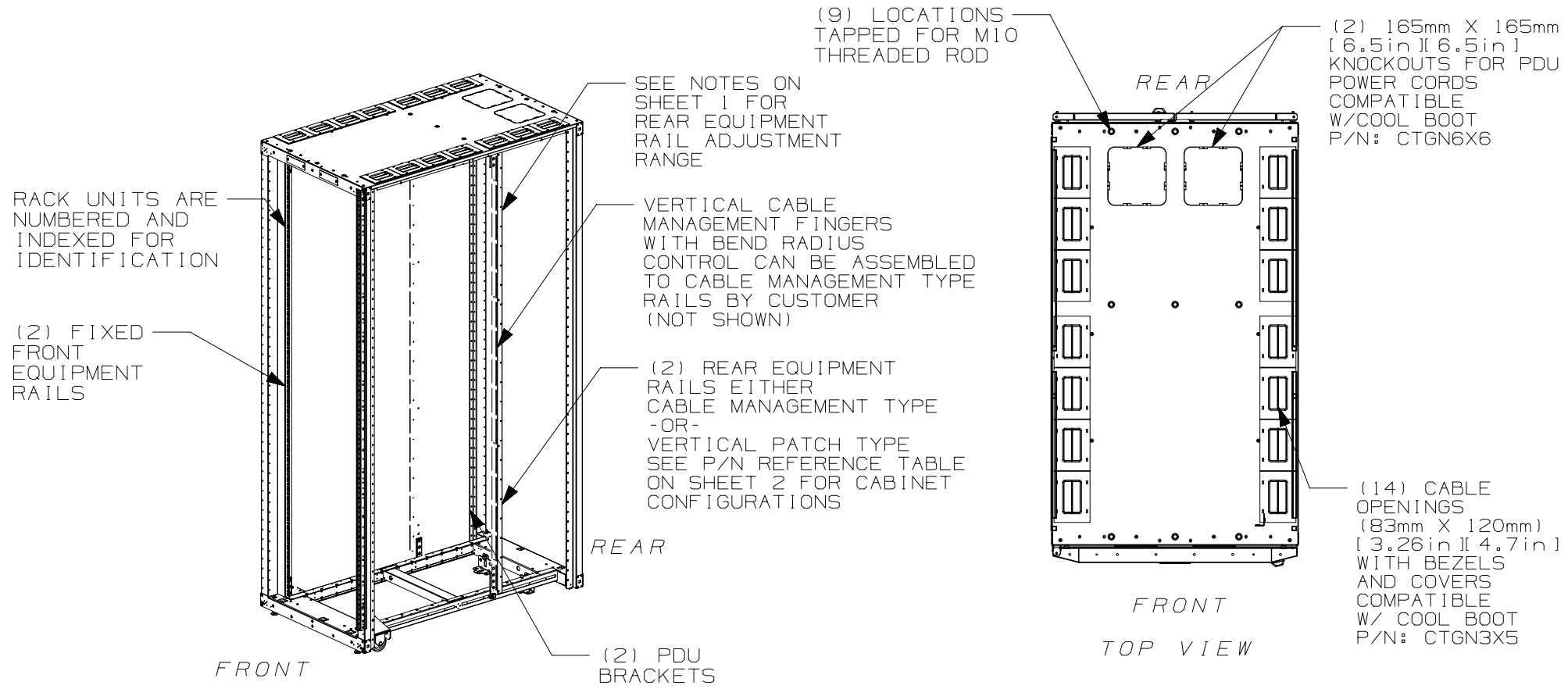
THIS COPY IS PROVIDED ON A RESTRICTED BASIS AND IS NOT TO BE USED IN ANY WAY DETRIMENTAL TO THE INTERESTS OF PANDUIT CORP.



REV	DATE	BY	CHK	APR	DESCRIPTION	ECN
03A	8/20/2020	RAMA	ELE	ELE	SEE SHEET 1 OF 5 FOR REVISIONS	V09000BX
01A	10-08-14	PBS	ADP	TCN	SEE SHEET 1 OF 5 FOR REVISIONS	V09000BX
00B	5-14-13	MDCA	JDW	JDWE	SEE SHEET 1 OF 5 FOR REVISIONS	12V305TK-DC
00A	8-29-12	TWV	JDW	PBD	SEE SHEET 1 OF 5 FOR REVISIONS	12V305TK-DC

TITLE		NET-ACCESS S TYPE CABINET 700mm WIDE X 1200mm DEEP FAMILY CUSTOMER DRAWING	
ITEM REVISION NAME		12V305TK/03.PRT	
DATASET FILE NAME		12V305TK_DC/03A.PRT	
DRAWING NUMBER:		12V305TK-DC	
MATERIAL:		N/A	
THIRD ANGLE PROJECTION			
DRAWN BY	DATE	CHK	SCALE
TWV	8-29-12	JDW	NONE
SHT 3 OF 5		SIZE A	

THIS COPY IS PROVIDED ON A RESTRICTED BASIS AND IS NOT TO BE USED IN ANY WAY DETRIMENTAL TO THE INTERESTS OF PANDUIT CORP.

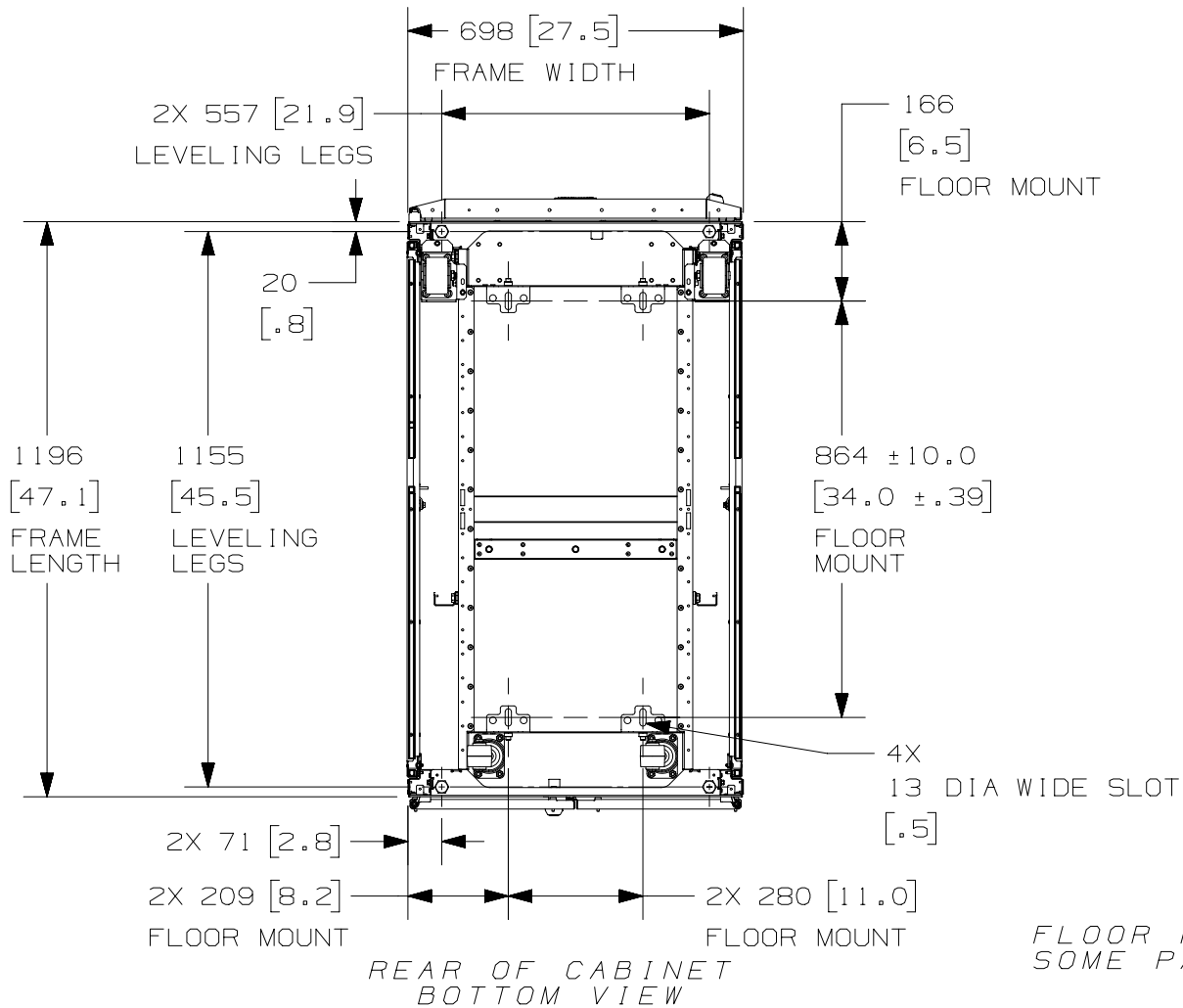


FRONT DOOR, REAR DOOR,  
AND SIDE PANELS NOT SHOWN

REV	DATE	BY	CHK	APR	DESCRIPTION	ECN
03A	8/20/2020	RAMA	ELE	ELE	SEE SHEET 1 OF 5 FOR REVISIONS	V09000BX
01A	10-08-14	PBS	ADP	TCN	SEE SHEET 1 OF 5 FOR REVISIONS	V09000BX
00B	5-14-13	MDCA	JDW	JDWE	SEE SHEET 1 OF 5 FOR REVISIONS	12V305TK-DC
00A	8-29-12	TWV	JDW	PBD	SEE SHEET 1 OF 5 FOR REVISIONS	12V305TK-DC

TITLE		NET-ACCESS S TYPE CABINET 700mm WIDE X 1200mm DEEP FAMILY		
		CUSTOMER DRAWING		
ITEM REVISION NAME		12V305TK/03.PRT		
DATASET FILE NAME		12V305TK_DC/03A.PRT		
		MATERIAL:  N/A		
		DRAWING NUMBER: 12V305TK-DC		
DRAWN BY		DATE	CHK	SCALE
T WV		8-29-12	JDW	NONE
		THIRD ANGLE PROJECTION		
		SHT 4 OF 5		
		SIZE A		

THIS COPY IS PROVIDED ON A RESTRICTED BASIS AND IS NOT TO BE USED IN ANY WAY DETRIMENTAL TO THE INTERESTS OF PANDUIT CORP.



FLOOR MOUNTING HOLE LOCATIONS - SOME PARTS REMOVED FOR CLARITY

REV	DATE	BY	CHK	APR	DESCRIPTION	ECN
03A	8/20/2020	RAMA	ELE	ELE	SEE SHEET 1 OF 5 FOR REVISIONS	V09000BX
01A	10-08-14	PBS	ADP	TCN	SEE SHEET 1 OF 5 FOR REVISIONS	V09000BX
00B	5-14-13	MDCA	JDW	JDWE	SEE SHEET 1 OF 5 FOR REVISIONS	12V305TK-DC
00A	8-29-12	TWV	JDW	PBD	SEE SHEET 1 OF 5 FOR REVISIONS	12V305TK-DC

TITLE		NET-ACCESS S TYPE CABINET 700mm WIDE X 1200mm DEEP FAMILY CUSTOMER DRAWING	
ITEM REVISION NAME		12V305TK/03.PRT	
DATASET FILE NAME		12V305TK_DC/03A.PRT	
MATERIAL:		N/A	
DRAWING NUMBER:		12V305TK-DC	
DRAWN BY	DATE	CHK	SCALE
TWV	8-29-12	JDW	NONE
THIRD ANGLE PROJECTION		SHT 5 OF 5	
SIZE		A	

2

1