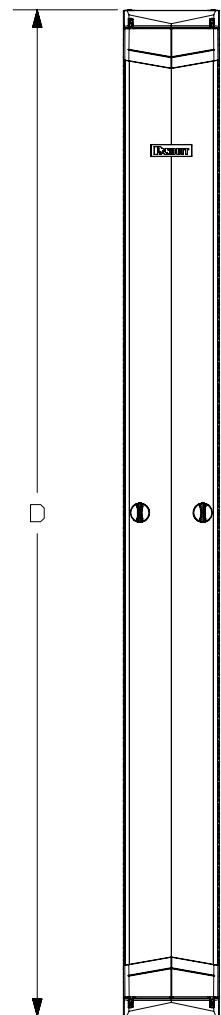


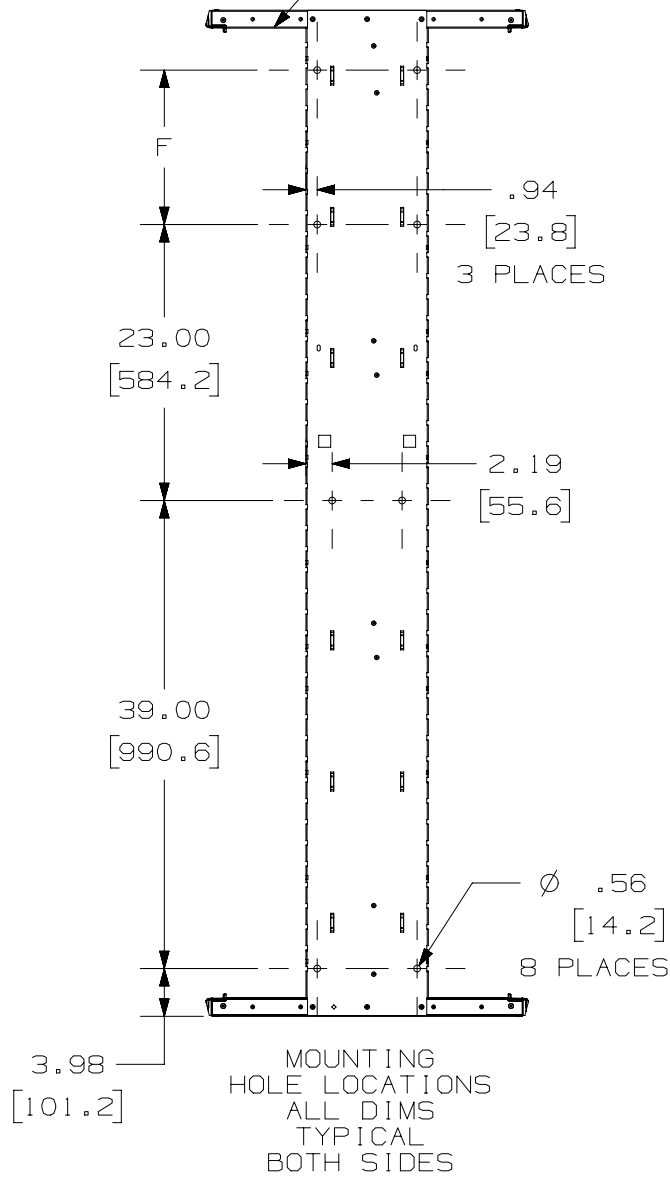
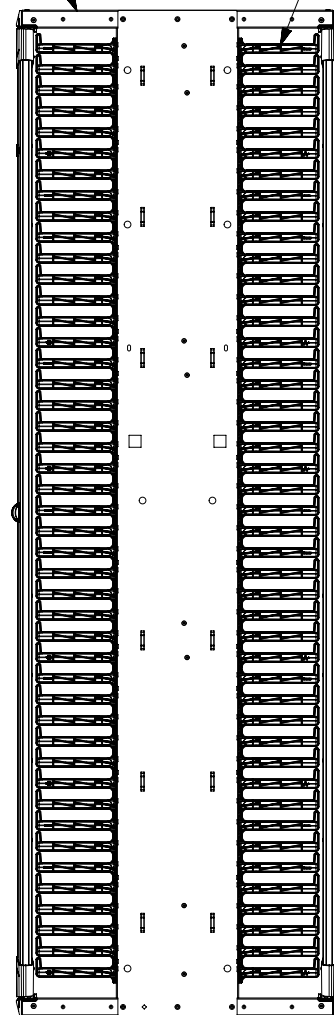
DISTANCE OF OPEN DOOR



DOOR SUPPORTS FIELD INSTALLED

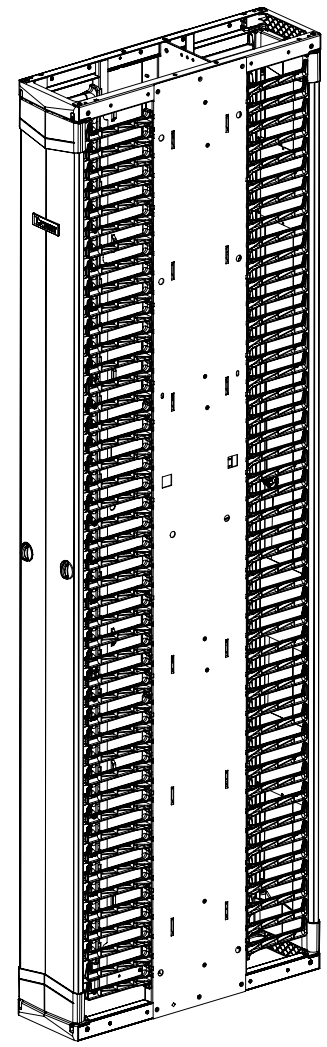
FINGER SECTIONS FIELD INSTALLED

DOOR AND FINGERS REMOVED FOR CLARITY



MOUNTING HOLE LOCATIONS ALL DIMS TYPICAL BOTH SIDES

- NOTES:
- VISIT OUR ON-LINE CATALOG AT WWW.PANDUIT.COM FOR A LIST OF CURRENT PARTS APPLICABLE FOR USE WITH THIS PRODUCT.
 - DIMENSIONS IN [] ARE METRIC.
 - WEIGHT: SEE TABLE ON SHEET 3.
 - PART INCLUDES:
 - 1- PATCHRUNNER 2 HIGH CAPACITY MANAGER, FRONT AND REAR FINGERS
 - 2- PATCHRUNNER 2 DUAL HINGE DOOR, FOR VERTICAL CABLE MANAGER.
 - 1- HARDWARE KIT.
 - CAN BE USED WITH ANY 19 OR 23 INCH EIA STANDARD RACK.
 - ALL DIMENSIONS ARE REFERENCE ONLY.

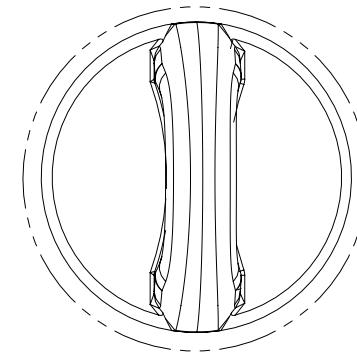
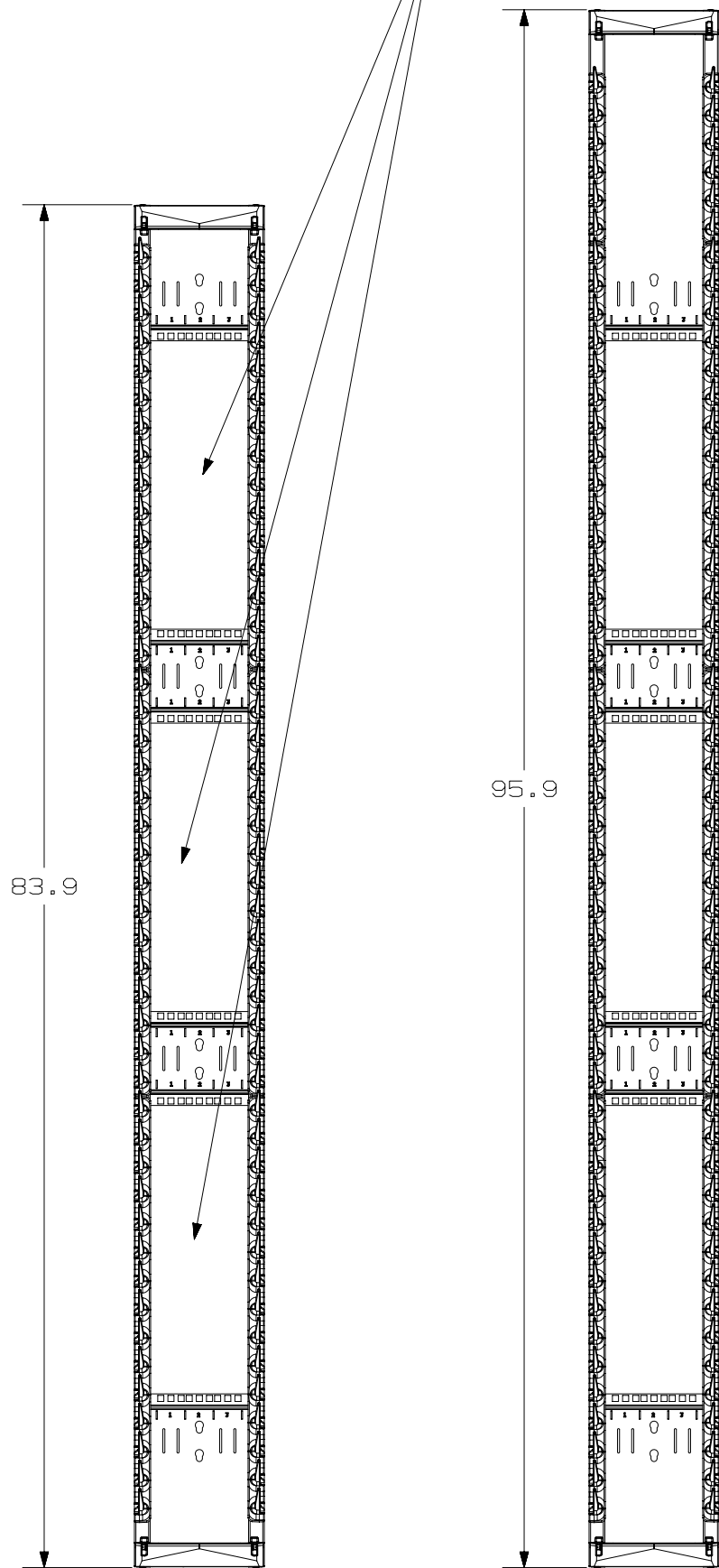


PART NUMBER		PE2VD**, PE2VD**96	
TITLE			
PATCHRUNNER 2 HIGH CAPACITY VERTICAL CABLE MANAGER, FRONT AND REAR FINGERS AND DOORS		CUSTOMER DRAWING	
ITEM REVISION NAME		17M062AI/02	
DATASET FILE NAME		17M062AI_DC/02B	
MATERIAL		STEEL, PLASTIC	
DRAWN BY		TWW	
DATE		8-2-18	
CHK		RYB	
SCALE		NONE	
DRAWING NUMBER		17M062AI-DC	
SHEET 1 OF 3		B	

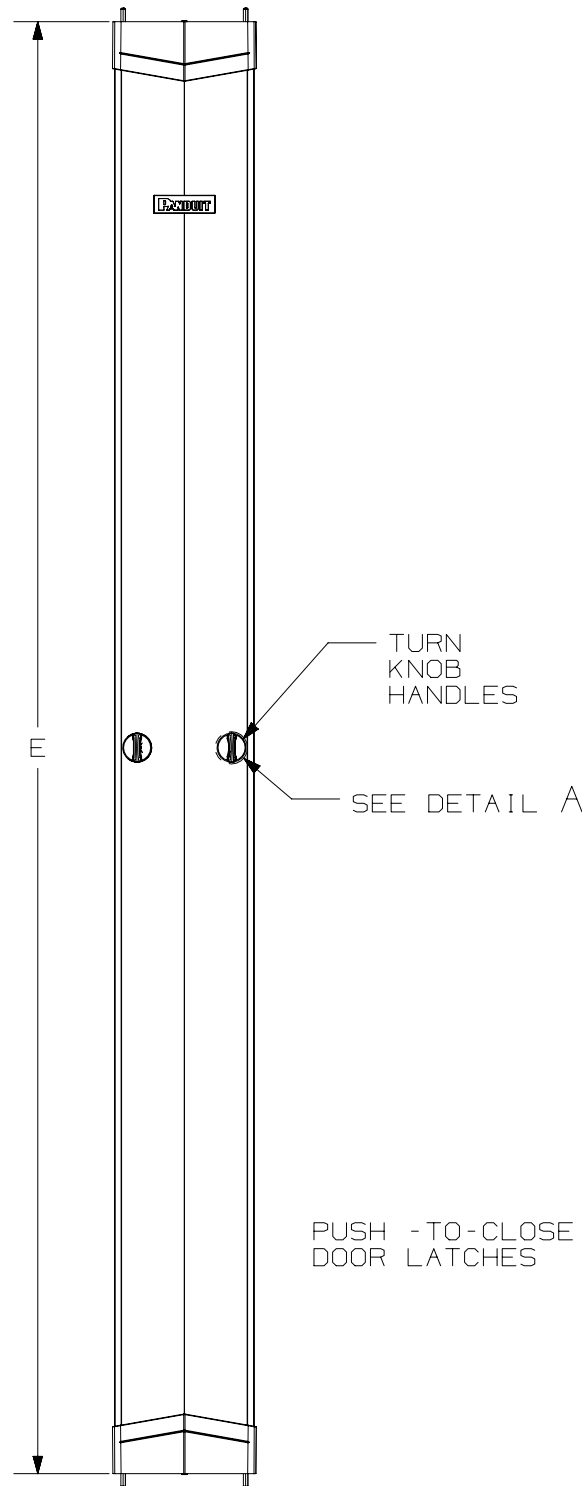
REV	DATE	BY	CHK	APR	DESCRIPTION	ECN
02B	9-28-20	TWV	RYB	JEFK	ADDED MOUNTING HOLE LOCATIONS	M09000JB
02A	1-17-19	RYB			UPDATED GEOMETRY	M09000JB

B-SIZE CUSTOMER

(3) 19" EIA VERTICAL MOUNTING SECTIONS IN EACH MANAGER.
ACCEPTS PATCH PANELS AND OTHER 19" RACK MOUNT
ACCESSORIES TO FREE UP RU SPACE IN THE RACK



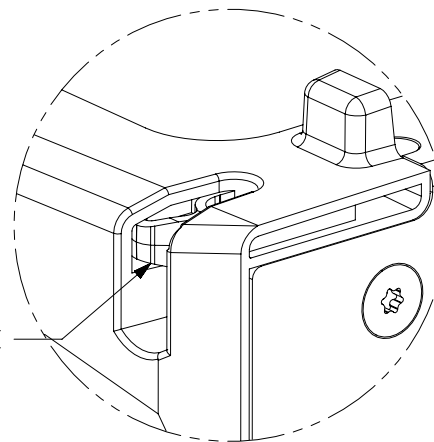
DETAIL A
SCALE 1:1



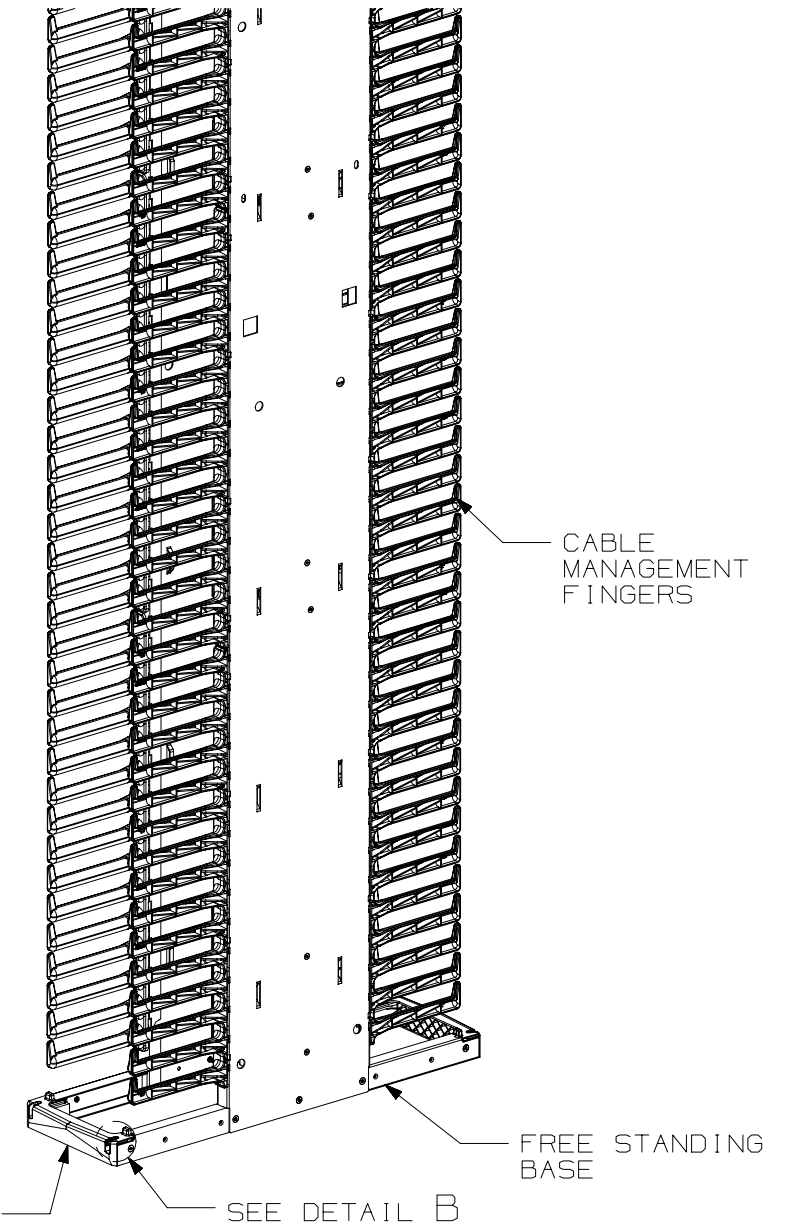
TURN
KNOB
HANDLES

SEE DETAIL A

PUSH - TO - CLOSE
DOOR LATCHES



DETAIL B
SCALE 1:1



CABLE
MANAGEMENT
FINGERS

FREE STANDING
BASE

DOOR SUPPORTS

SEE DETAIL B

PART NUMBER		PE2VD**, PE2VD**96	
TITLE		PATCHRUNNER 2 HIGH CAPACITY VERTICAL CABLE MANAGER, FRONT AND REAR FINGERS AND DOORS	
		CUSTOMER DRAWING	
ITEM REVISION NAME		17M062A1/02	
DATASET FILE NAME		17M062A1_DC/02B	
MATERIAL		STEEL, PLASTIC	
DRAWN BY		TJV	
DATE		8-2-18	
CHK		RYB	
SCALE		NONE	
DRAWING NUMBER		17M062A1 - DC	
SHEET 2 OF 3		B	

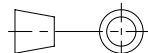
REV	DATE	BY	CHK	APR	DESCRIPTION	ECN
02B	9-28-20	TWV	RYB	JEFK	SEE SHEET ONE FOR REVISIONS	M09000JB
02A	1-17-19	RYB			SEE SHEET ONE FOR REVISIONS	M09000JB

B-SIZE CUSTOMER

PART NO.	A=OVERALL WIDTH		B=OVERALL DEPTH		C=DOOR OPENING DEPTH		D- OVERALL HEIGHT		E=DOOR HEIGHT		F = TOP HOLE SPACING		VERTICAL RU SPACING	MANAGER AND DOORS FULLY UNPACKED WEIGHT	MANAGER AND DOORS SHIPPING WEIGHT
	INCHES	MM	INCHES	MM	INCHES	MM	INCHES	MM	INCHES	MM	INCHES	MM	RU		
PE2VD06**	6.00	152.4	26.8	680.7	4.62	117.3	83.9	2131.1	80.8	2051.6	12.87	326.9	6	66.44 LBS EACH [30.1 KG EACH]	68.44 LBS EACH [31.0 KG EACH]
PE2VD08**	8.00	203.2			6.60	167.7							9	72.93 LBS EACH [33.1 KG EACH]	74.93 LBS EACH [34.0 KG EACH]
PE2VD10**	10.00	254.0			8.60	218.4							12	79.41 LBS EACH [36.0 KG EACH]	81.41 LBS EACH [36.9 KG EACH]
PE2VD12**	12.00	304.8			10.60	269.2							15	85.9 LBS EACH [39.0 KG EACH]	87.9 LBS EACH [39.9 KG EACH]
PE2VD0696**	6.00	152.4			4.62	117.3	95.9	2435.9	92.8	2356.4	24.0	609.6	6	72.1 LBS EACH [32.7 KG EACH]	74.1 LBS EACH [33.6 KG EACH]
PE2VD0896**	8.00	203.2			6.60	167.7							9	79.4 LBS EACH [36.0 KG EACH]	81.4 LBS EACH [36.9 KG EACH]
PE2VD1096**	10.00	254.0			8.60	218.4							12	86.7 LBS EACH [31.16 KG EACH]	88.7 LBS EACH [40.2 KG EACH]
PE2VD1296**	12.00	304.8			10.60	269.2							15	94.00 LBS EACH [42.6 KG EACH]	96.0 LBS EACH [43.5 KG EACH]

**DENOTES COLOR
NONE = BLACK
WH = WHITE

02B	9-28-20	TWV	RYB	JEFK	SEE SHEET ONE FOR REVISIONS	M09000JB
02A	1-17-19	RYB			SEE SHEET ONE FOR REVISIONS	M09000JB
REV	DATE	BY	CHK	APR	DESCRIPTION	ECN

PART NUMBER		PE2VD**, PE2VD**96			
TITLE		PATCHRUNNER 2 HIGH CAPACITY VERTICAL CABLE MANAGER, FRONT AND REAR FINGERS AND DOORS			
		CUSTOMER DRAWING			
ITEM REVISION NAME		17M062AI/02			
DATASET FILE NAME		17M062AI.DC/02B			
		 THIRD ANGLE PROJECTION			
MATERIAL		STEEL, PLASTIC		DRAWING NUMBER	
				17M062AI - DC	
DRAWN BY	DATE	CHK	SCALE	SHEET 3 OF 3	
TWV	8-2-18	RYB	NONE	B	

B

B

A

A

B-SIZE CUSTOMER