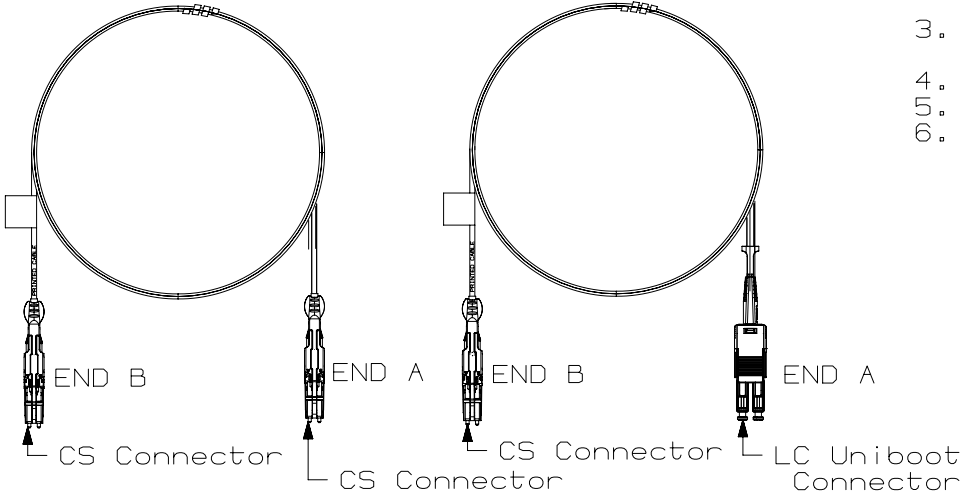


THIS COPY IS PROVIDED ON A RESTRICTED BASIS AND IS NOT TO BE USED IN ANY WAY DETRIMENTAL TO THE INTERESTS OF PANDUIT CORP.

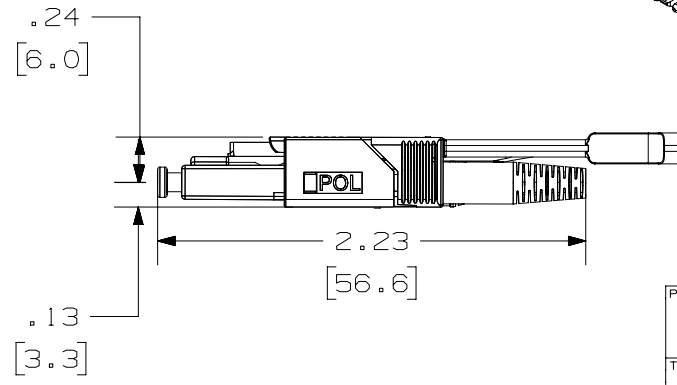
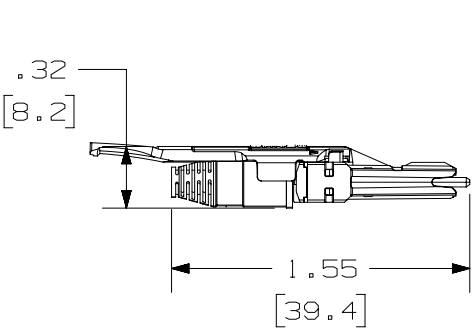
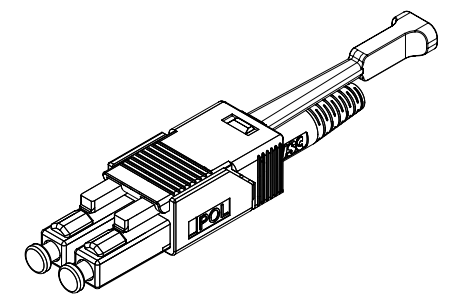
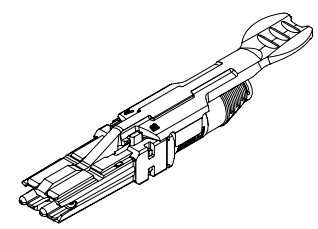
NOTES:

1. SEE SHEET 2 FOR PART NUMBERS, PRODUCT DETAILS AND TECHNICAL SPECIFICATIONS.
2. SEE CURRENT CATALOG FOR PATCH CORD LENGTHS AND PACKAGE QUANTITIES.
3. FOR LENGTHS OTHER THAN THOSE LISTED IN CATALOG, CONTACT YOUR PANDUIT SALES PERSON.
4. TESTED TO EIA/TIA 568-C.3.
5. PATCH CORD ROUTING CONFIGURATION A-B.
6. ALL MATERIALS AND COMPONENTS USED MEET THE MATERIAL RESTRICTIONS OF RoHS, (EUROPEAN DIRECTIVE 2011/65/EC ON THE RESTRICTION OF HAZARDOUS SUBSTANCES) AS PROPOSED BY THE RoHS TECHNICAL ADAPTATION COMMITTEE.



CS Connector

LC Uniboot Connector



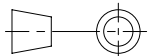
PART NUMBER		SEE TABLE 1 (SHEET 2)		
TITLE		CS PATCHCORDS: CS TO CS, AND CS TO LC UNIBOOT		
		CUSTOMER DRAWING		
ITEM REVISION NAME		00446EAF/00		
DATASET FILE NAME		00446EAF_DC/00B		
MATERIAL		N/A		
DRAWN BY		DATE	CHK	SCALE
SAT		06/02/2020	BJBE	NONE
DRAWING NUMBER		00446EAF - DC		
SHEET 1 OF 2		A		

A-SIZE CUSTOMER

00B	10-19-20	SAT	BJBE	EJH		
00A	06-24-20	SAT	BJBE	AW	INITIAL RELEASE	
REV	DATE	BY	CHK	APR	DESCRIPTION	ECN

THIS COPY IS PROVIDED ON A RESTRICTED BASIS AND IS NOT TO BE USED IN ANY WAY DETRIMENTAL TO THE INTERESTS OF PANDUIT CORP.

TABLE 1: CS TO CS AND CS TO LC UNIBOOT FIBER OPTIC PATCHCORD											
PANDUIT P/N	CABLE				CONNECTOR (END A)			CONNECTOR (END B)			
	RATING	FIBER TYPE	COUNT	COLOR	CONNECTOR END A	HOUSING COLOR	BOOT COLOR	CONNECTOR END B	HOUSING COLOR	BOOT COLOR	PERFORMANCE
FZ2RPZLNZNON****	PLENUM (OFNP)	OM4	2 FIBER 2.0mm UNITARY CABLE	AQUA	CS	AQUA	WHITE	SAME AS END A CONNECTOR			OPTIMIZED 1L ≤ 0.15dB
FZ2RPZLNZNNN****				YELLOW		BLUE					ULTRA 1L ≤ 0.10dB
F92RPZLNZNON****				OS2		BLUE					OPTIMIZED 1L ≤ 0.25dB
FZ2RLZLNZNON****	LSZH	OM4	2 FIBER 2.0mm UNITARY CABLE	AQUA	CS	AQUA	WHITE	SAME AS END A CONNECTOR			OPTIMIZED 1L ≤ 0.15dB
FZ2RLZLNZNNN****				YELLOW		BLUE					ULTRA 1L ≤ 0.10dB
F92RLZLNZNON****				OS2		BLUE					OPTIMIZED 1L ≤ 0.25dB
FZ2RPUNZNON****	PLENUM (OFNP)	OM4	2 FIBER 2.0mm UNITARY CABLE	AQUA	LC UNIBOOT	AQUA	AQUA	CS	AQUA	WHITE	OPTIMIZED 1L ≤ 0.15dB
FZ2RPUNZNNN****				YELLOW		BLUE	BLUE		ULTRA 1L ≤ 0.10dB		
F92RPUNZNON****				OS2		BLUE	BLUE		OPTIMIZED 1L ≤ 0.25dB		
FZ2RLUNZNON****	LSZH	OM4	2 FIBER 2.0mm UNITARY CABLE	AQUA	LC UNIBOOT	AQUA	AQUA	CS	AQUA	WHITE	OPTIMIZED 1L ≤ 0.15dB
FZ2RLUNZNNN****				YELLOW		BLUE	BLUE		ULTRA 1L ≤ 0.10dB		
F92RLUNZNON****				OS2		BLUE	BLUE		OPTIMIZED 1L ≤ 0.25dB		

PART NUMBER		SEE TABLE 1 (SHEET 2)	
TITLE		CS PATCHCORDS: CS TO CS, AND CS TO LC UNIBOOT	
		CUSTOMER DRAWING	
ITEM REVISION NAME		00446EAF/00	
DATASET FILE NAME		00446EAF_DC/00B	
		THIRD ANGLE PROJECTION	
MATERIAL		N/A	
		DRAWING NUMBER	
		00446EAF - DC	
REV	DATE	BY	CHK
SEE SHEET 1 FOR REVISION HISTORY			
DESCRIPTION	ECN	DRAWN BY	DATE
		SAT	06/02/2020
		CHK	BJBE
		SCALE	NONE
SHEET 1 OF 2		SIZE	
		A	

A-SIZE CUSTOMER