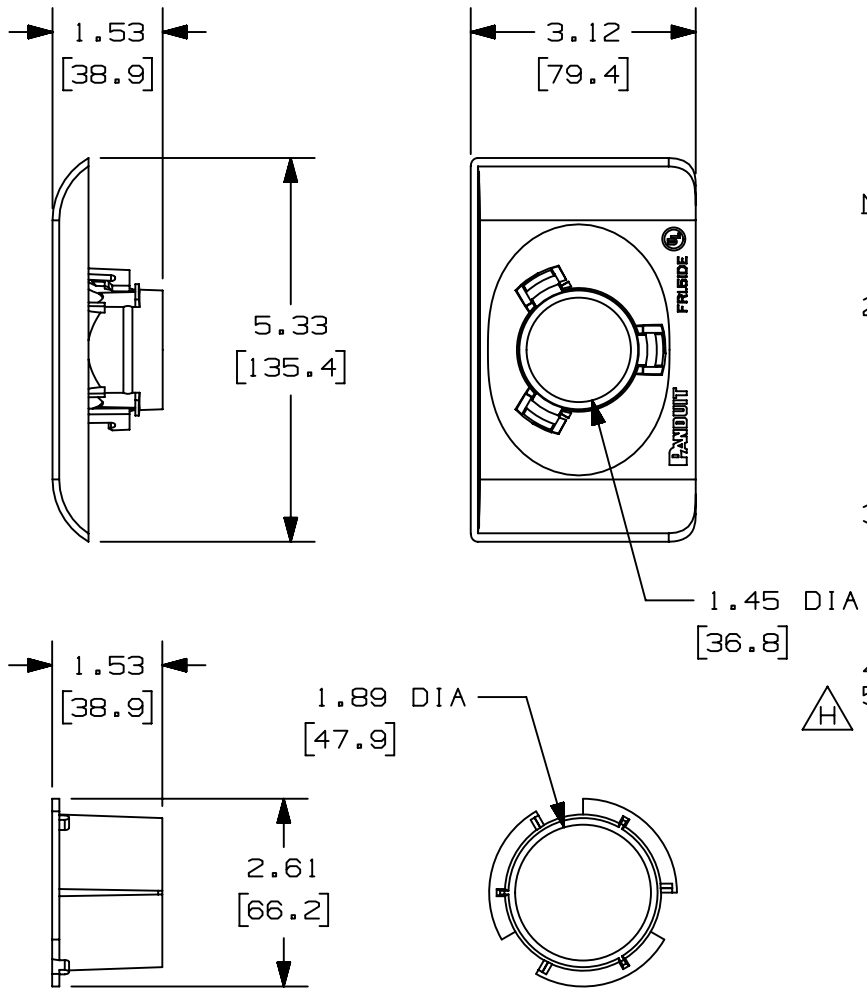


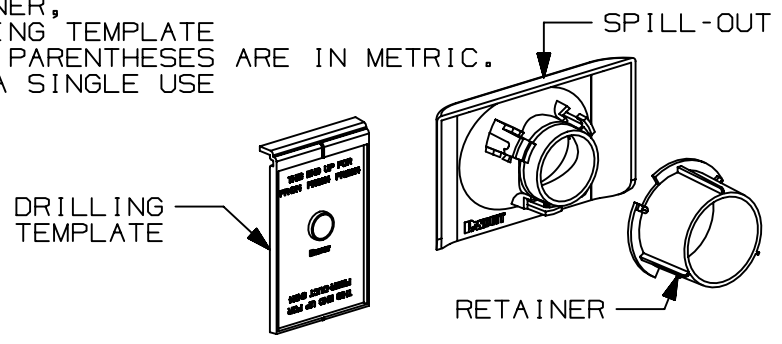
THIS COPY IS PROVIDED ON A RESTRICTED BASIS AND IS NOT TO BE USED IN ANY WAY DETRIMENTAL TO THE INTERESTS OF PANDUIT CORP.



PANDUIT PART NUMBER	WEIGHT	MATERIAL
FR1.5IDE**	0.2 LB/EACH (91g/EACH)	ABS
FR1.5IDEL**	0.2 LB/EACH (91g/EACH)	PC/ABS

NOTES:

- SEE CURRENT CATALOG FOR ADDITIONAL PART SUFFIXES TO INDICATE COLOR AND/OR PACKAGE QUANTITY.
- THE FIBER-DUCT 4x4, FIBERRUNNER 4x4, 6x4 AND 12x4 1-PORT SIDE EXIT SPILL-OUT TO 1 1/2" I.D. CORRUGATED LOOM TUBING IS USED TO ROUTE CABLES THROUGH 1 1/2" INSIDE DIAMETER CORRUGATED LOOM TUBING VIA A HOLE CUT INTO THE SIDE WALL OF THE FIBER-DUCT 4x4, FIBERRUNNER 4x4, 6x4 AND 12x4 CHANNEL. THE SPILL-OUT ACCEPTS A SINGLE PIECE OF 1 1/2" (38.1) I.D. SLIT CORRUGATED LOOM TUBING (CLT150F-X**, CLT150F-T20)
- THE FIBER-DUCT 4x4, FIBERRUNNER 4x4, 6x4 AND 12x4 1-PORT SIDE EXIT SPILL-OUT TO 1 1/2" I.D. CORRUGATED LOOM TUBING INCLUDES:
ONE (1) SPILL-OUT,
ONE (1) RETAINER,
ONE (1) DRILLING TEMPLATE
- DIMENSIONS IN PARENTHESES ARE IN METRIC.
- DESIGNED FOR A SINGLE USE



B

B

A

A

ANGLOBAL-ASIZE

03A	1-16-20	MES	DWR	DWR	G. ADDED FR1.5IDEL** PART NUMBER H. ADDED NOTE 5	V09002DZ/01
REV	DATE	BY	CHK	APR	DESCRIPTION	ECN

TITLE FIBER-DUCT 4x4, FIBERRUNNER 4x4, 6x4 AND 12x4 1-PORT SIDE EXIT SPILL-OUT TO 1 1/2" I.D. CORRUGATED LOOM TUBING (FR1.5IDE**, FR1.5IDEL**) CUSTOMER DRAWING	
ITEM REVISION NAME	D38389BH/02
DATASET FILE NAME	D38389BH/02
UNLESS OTHERWISE SPECIFIED, DIMENSIONAL TOLERANCES ARE: IN (mm)	MATERIAL: SEE PART NUMBER TABLE ABOVE
(.X) ± .03 (.8) (.XXX) ± .005 (0.0125) (.XX) ± .03 (.8) ANGLES ±	DRAWING NUMBER: 38389-05
	THIRD ANGLE PROJECTION
DRAWN BY JNHU	DATE 5-23-02
CHK WAB	SCALE NONE
SHT 1 OF 1	
SIZE A	