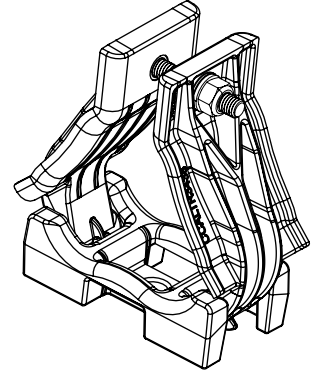


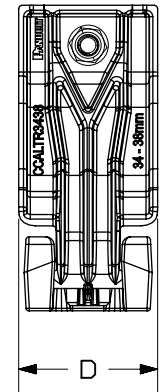
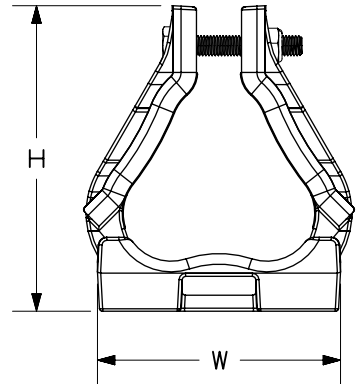
THIS COPY IS PROVIDED ON A RESTRICTED BASIS AND IS NOT TO BE USED IN ANY WAY DETRIMENTAL TO THE INTERESTS OF PANDUIT CORP.

NOTES:

1. VISIT OUR ON-LINE CATALOG AT WWW.PANDUIT.COM FOR A LIST OF CURRENT PARTS APPLICABLE FOR USE WITH THIS PRODUCT.
2. DIMENSIONS IN [ ] ARE METRIC.
3. ALL MATERIALS AND COMPONENTS USED MEET THE MATERIAL RESTRICTIONS OF RoHS (EUROPEAN DIRECTIVE ON THE RESTRICTION OF HAZARDOUS SUBSTANCES) AS PROPOSED BY THE RoHS TECHNICAL ADAPTATION COMMITTEE.
4. CASTINGS ARE ALUMINUM. FASTENERS ARE METRIC GRADE 8 GALVANIZED STEEL.
5. MEETS IEC 61914:2015 SPECIFICATIONS.
6. MOUNTING FASTENERS AND INSULATING MATERIALS ARE NOT INCLUDED IN THE PACKAGE AND MUST BE PURCHASED SEPARATELY.
7. SELECT M8 BOLT LENGTH SUITABLE FOR THE RUNG.
8. CABLE CLEAT BRACKET, PART NUMBER CBH##L##-V6, IS SOLD SEPARATELY.
9. CONTACT PANDUIT SALES FOR CUSTOMIZED SOLUTIONS.



PART NUMBER	CABLE DIAMETER RANGE in. [ mm ]	"H" in. [ mm ]	"W" in. [ mm ]	"D" in. [ mm ]	WEIGHT lb [ g ]	MOUNTING HOLES
CCALTR2326-X	0.91-1.02 [ 23-26 ]	3.92 [ 100 ]	3.98 [ 101 ]	2.17 [ 55 ]	0.81 [ 370 ]	1 x MB
CCALTR2528-X	0.98-1.10 [ 25-28 ]	4.06 [ 103 ]	4.15 [ 105 ]	2.17 [ 55 ]	0.85 [ 385 ]	1 x MB
CCALTR2730-X	1.06-1.18 [ 27-30 ]	4.19 [ 107 ]	3.86 [ 98 ]	2.17 [ 55 ]	0.85 [ 388 ]	1 x MB
CCALTR2932-X	1.14-1.26 [ 29-32 ]	4.33 [ 110 ]	3.87 [ 98 ]	2.17 [ 55 ]	0.87 [ 397 ]	1 x MB
CCALTR3135-X	1.22-1.38 [ 31-35 ]	4.55 [ 116 ]	3.96 [ 101 ]	2.17 [ 55 ]	0.92 [ 418 ]	1 x MB
CCALTR3438-X	1.34-1.50 [ 34-38 ]	4.77 [ 121 ]	4.18 [ 106 ]	2.17 [ 55 ]	0.93 [ 424 ]	1 x MB
CCALTR3741-X	1.46-1.61 [ 37-41 ]	4.99 [ 127 ]	4.41 [ 112 ]	2.17 [ 55 ]	0.98 [ 448 ]	1 x MB
CCALTR4044-X	1.57-1.73 [ 40-44 ]	5.24 [ 133 ]	4.63 [ 118 ]	2.17 [ 55 ]	1.05 [ 477 ]	1 x MB
CCALTR4347-X	1.69-1.85 [ 43-47 ]	5.52 [ 140 ]	4.85 [ 123 ]	2.17 [ 55 ]	1.14 [ 516 ]	1 x MB
CCALTR4651-X	1.81-2.01 [ 46-51 ]	5.83 [ 148 ]	5.05 [ 128 ]	2.17 [ 55 ]	1.23 [ 558 ]	1 x MB
CCALTR5056-X	1.97-2.20 [ 50-56 ]	6.20 [ 158 ]	5.50 [ 140 ]	2.17 [ 55 ]	1.32 [ 602 ]	1 x MB
CCALTR5561-X	2.17-2.40 [ 55-61 ]	6.57 [ 167 ]	5.72 [ 145 ]	2.17 [ 55 ]	1.42 [ 647 ]	1 x MB
CCALTR6067-X	2.36-2.64 [ 60-67 ]	7.01 [ 178 ]	6.15 [ 156 ]	2.17 [ 55 ]	1.55 [ 706 ]	1 x MB
CCALTR6675-X	2.60-2.95 [ 66-75 ]	7.59 [ 193 ]	6.72 [ 171 ]	2.17 [ 55 ]	1.73 [ 787 ]	1 x MB



TITLE										ALUMINUM TREFOIL CABLE CLEAT									
CUSTOMER DRAWING																			
ITEM REVISION NAME					00017EAS/03					DRAWING NUMBER					00017EAS_DC				
DATASET FILE NAME					00017EAS_DC/03A					MATERIAL					ALUMINUM				
THIRD ANGLE PROJECTION					DRAWN BY					DATE					CHK				
KEC					08/02/18					BBEA					SCALE				
1:3					SHEET 1 OF 1					A									

03A	09-12-19	MGKR	BBEA	GBI	UPDATED PER COMPONENTS					051202
REV	DATE	BY	CHK	APR	DESCRIPTION					ECN

A-SIZE CUSTOMER