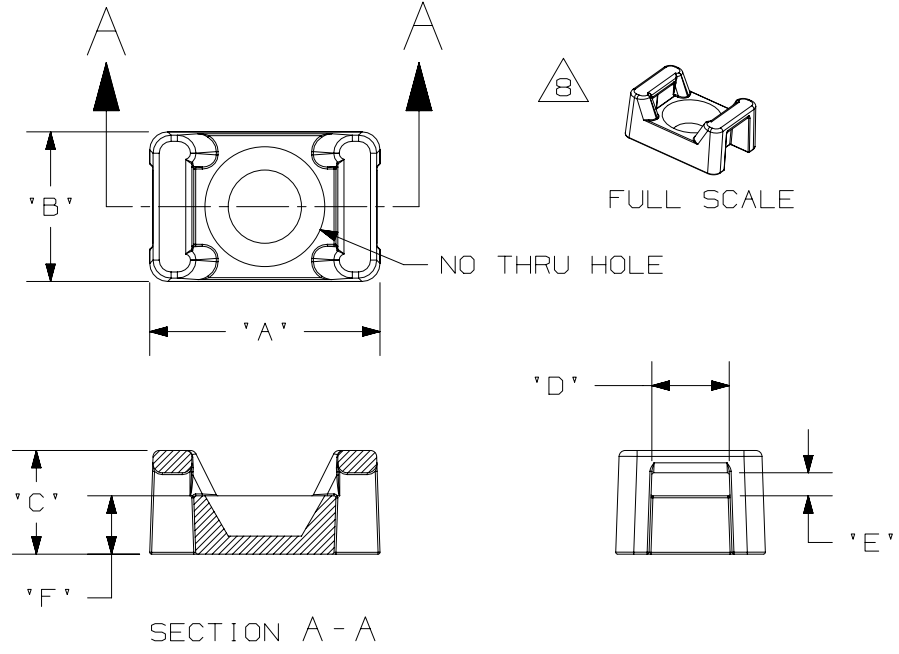


THIS COPY IS PROVIDED ON A RESTRICTED BASIS AND IS NOT TO BE USED IN ANY WAY DETRIMENTAL TO THE INTERESTS OF PANDUIT CORP.

PANDUIT PART NO. *	FASTENING METHOD **	'A'	'B'	'C'	'D'	'E'	'F'	USE WITH THESE CABLE TIE CROSS SECTIONS	WEIGHT (g) lbs/100 pcs.
TM1A	CYANO-ARCYLIC ADHESIVE	0.513 [13.0]	0.316 [8.0]	0.230 [5.8]	0.130 [3.3]	0.067 [1.7]	0.125 [3.2]	MINIATURE ONLY	0.07 (31.8)
TM2A	CYANO-ARCYLIC ADHESIVE	0.630 [16.0]	0.425 [10.8]	0.275 [7.0]	0.215 [5.5] +/-0.020 [ +/- .51]	0.060 [1.5] +/-0.020 [ +/- .51]	0.155 [3.9]	MINIATURE INTERMEDIATE STANDARD	0.15 (67.9)
TM3A	CYANO-ARCYLIC ADHESIVE	0.875 [22.2]	0.620 [15.8]	0.375 [9.5]	0.320 [8.1] +/-0.020 [ +/- .51]	0.088 [2.2] +/-0.020 [ +/- .51]	0.210 [5.3]	MINIATURE INTERMEDIATE STANDARD LIGHT HEAVY	0.36 (163.4)



NOTES:

- \*1. SEE CURRENT PRICE SHEET FOR PART NUMBER SUFFIX DESIGNATION FOR PACKAGE SIZE.
- \*\*2. CUSTOMER MUST SUPPLY ADHESIVE.
- 3. BAG MAY CONTAIN EXTRA PIECES TO COMPENSATE FOR VARIANCE IN THE PACKAGING PROCESS. PANDUIT ASSURES MINIMUM PIECE COUNT AS STATED ON THE BAG.

D10100DA/20

REV	DATE	BY	CHK	APR	DESCRIPTION	ECN
8	1/29/2021	RVU	JADE	RHMI	ADDED NOTE 3.	GAECN05875
7	8/16/02	LGG			CHANGED TM3A DIM. ON 'E' WAS 0.089 [2.3]. ADDED +/- TO 'E' & 'D' FOR TM2A & TM3A.	GB0239CM

TITLE <b>TM1A, TM2A &amp; TM3A TIE MOUNT</b> CUSTOMER DRAWING					
ITEM REVISION NAME G03597JV/03			<b>PANDUIT</b>		
DATASET FILE NAME G03597JV_DC_GB0239CM/08					
UNLESS OTHERWISE SPECIFIED, DIMENSIONAL TOLERANCES ARE: IN [ mm ]					MATERIAL: <b>NYLON 6/6 NATURAL</b>
.x ± 0.05 [ 1.3 ]      .xxx ± 0.010 [ 0.25 ] .xx ± 0.02 [ 0.5 ]      ANGLES ± 5 °					DRAWING NUMBER: GB0239CM
DRAWN BY GDH			DATE 2/20/95		CHK JADE
SCALE NONE			THIRD ANGLE PROJECTION		SIZE A
SHT 1 OF 1					