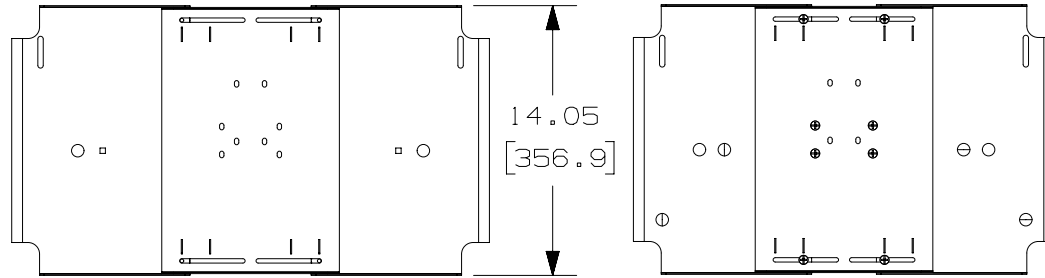
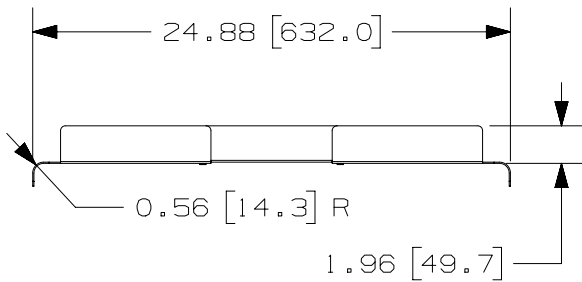


THIS COPY IS PROVIDED ON A RESTRICTED BASIS AND IS NOT TO BE USED IN ANY WAY DETRIMENTAL TO THE INTERESTS OF PANDUIT CORP.

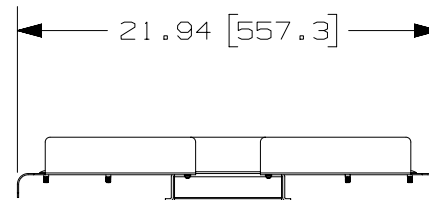


NOTES:

1. VISIT OUR ON-LINE CATALOG AT WWW.PANDUIT.COM FOR A LIST OF CURRENT PARTS APPLICABLE FOR USE WITH THIS PRODUCT.
2. DIMENSIONS IN [ ] ARE METRIC.
3. ALL MATERIALS AND COMPONENTS USED MEET THE MATERIAL RESTRICTIONS OF RoHS (EUROPEAN DIRECTIVE 2011/65/EU ON THE RESTRICTION OF HAZARDOUS SUBSTANCES) AS PROPOSED BY THE RoHS TECHNICAL ADAPTATION COMMITTEE.
4. WEIGHT: 10 LB [4.5 KG]
5. PART INCLUDES:
  - 1-ADJUSTABLE WIDTH WATERFALL ASSEMBLY
  - 1-R2P RACK MOUNT BRACKET
  - 4-M6 CARRIAGE BOLTS
  - 4-M6 SERRATED HEX NUTS
  - 4-M6 PAN HEAD MACHINE SCREWS

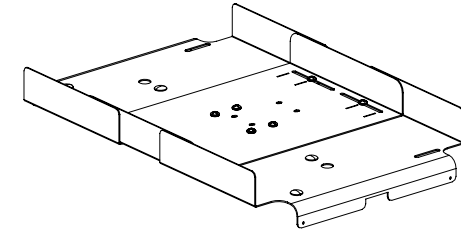


R4P RACK CONFIGURATION



AR4P, R2P, R2P6S RACK CONFIGURATION

MOUNT CHANNEL NOT REQUIRED FOR AR4P RACKS



PART NUMBER		<b>WMPVWF</b>				
TITLE		ADJUSTABLE WIDTH WATERFALL FOR USE WITH NETRUNNER VERTICAL CABLE MANAGER				
ITEM REVISION NAME		CUSTOMER DRAWING				
DATASET FILE NAME		00072GDE/00				
		00072GDE_DC/00A				
		THIRD ANGLE PROJECTION				
MATERIAL		STEEL				
		DRAWING NUMBER				
		00072GDE - DC				
00A	2-26-21	TWV	RYB	JEFK	INITIAL RELEASE	M09000MX
REV	DATE	BY	CHK	APR	DESCRIPTION	ECN



SHEET 1 OF 3

SIZE A

2

1

2

1

A-SIZE CUSTOMER

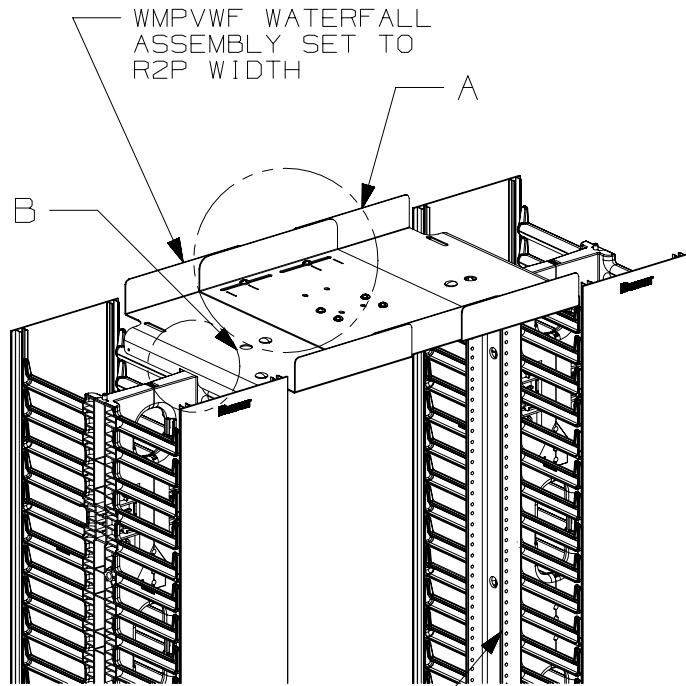
B

B

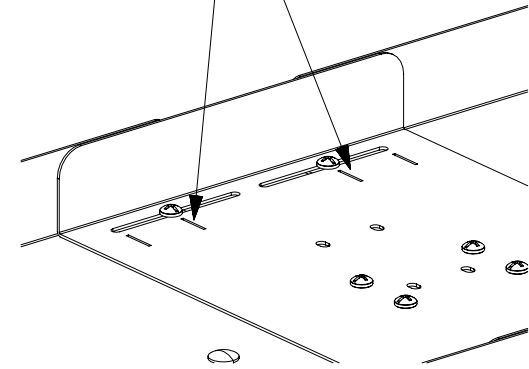
A

A

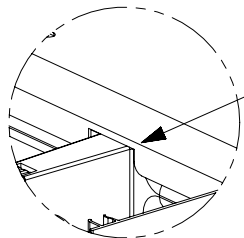
THIS COPY IS PROVIDED ON A RESTRICTED BASIS AND IS NOT TO BE USED IN ANY WAY DETRIMENTAL TO THE INTERESTS OF PANDUIT CORP.



CORRECT WIDTH FOR USE WITH AN R2P RACK IS ADJUSTED BY LOOSENING THE SET SCREWS AND SLIDING TO ALIGN WITH THE INNER NOTCHES AS SHOWN



DETAIL A  
SCALE 1:4



DETAIL B  
SCALE 1:4

R2P RACK  
(SOLD SEPARATELY)

BEND RADIUS FEATURE NOTCHED TO CLEAR NETRUNNER VERTICAL CABLE MANAGER BACKBONE.

R2P / AR4P / R2P6S RACK CONFIGURATION

PART NUMBER		WMPVWF	
TITLE			
ADJUSTABLE WIDTH WATERFALL FOR USE WITH		NETRUNNER VERTICAL CABLE MANAGER	
CUSTOMER DRAWING			
ITEM REVISION NAME		00072GDE/00	
DATASET FILE NAME		00072GDE_DC/00A	
		THIRD ANGLE PROJECTION	
MATERIAL		STEEL	
DRAWING NUMBER		00072GDE - DC	
DRAWN BY	DATE	CHK	SCALE
TWV	2-26-21	RYB	NONE
REV	DATE	BY	CHK
00A	2-26-21	TWV	RYB
DESCRIPTION		ECN	
SEE SHEET ONE FOR REVISIONS		M09000MX	
SHEET 2 OF 3		A	

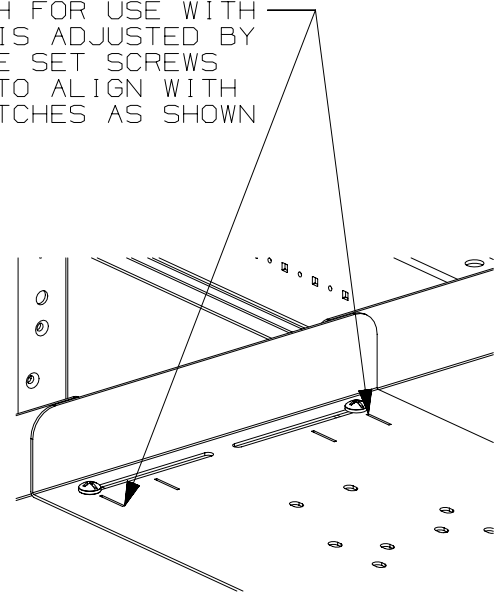
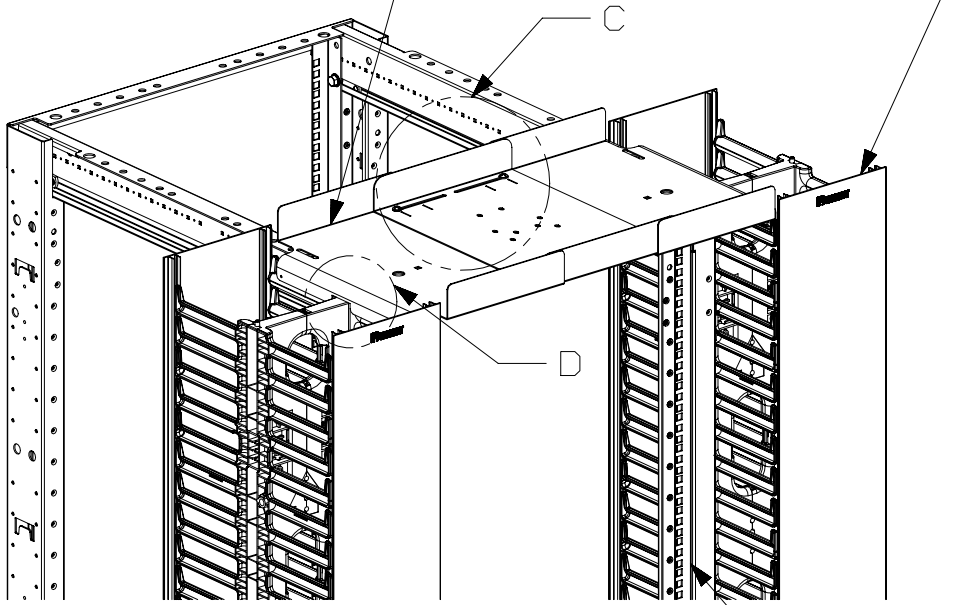
D110100DA/15

THIS COPY IS PROVIDED ON A RESTRICTED BASIS AND IS NOT TO BE USED IN ANY WAY DETRIMENTAL TO THE INTERESTS OF PANDUIT CORP.

WMPVWF WATERFALL ASSEMBLY SET TO R4P WIDTH

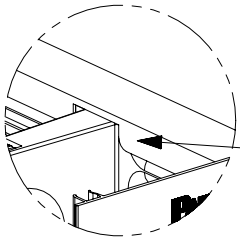
NETRUNNER VERTICAL CABLE MANAGERS (SOLD SEPARATELY)

CORRECT WIDTH FOR USE WITH AN R4P RACK IS ADJUSTED BY LOOSENING THE SET SCREWS AND SLIDING TO ALIGN WITH THE OUTER NOTCHES AS SHOWN



DETAIL C  
SCALE 1:4

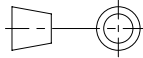
R4P RACK (SOLD SEPARATELY)



BEND RADIUS FEATURE NOTCHED TO CLEAR THE NETRUNNER VERTICAL CABLE MANAGER BACKBONE.

DETAIL D  
SCALE 1:4

R4P RACK CONFIGURATION

PART NUMBER		WMPVWF				
TITLE		ADJUSTABLE WIDTH WATERFALL FOR USE WITH NETRUNNER VERTICAL CABLE MANAGER				
		CUSTOMER DRAWING				
ITEM REVISION NAME		00072GDE/00				
DATASET FILE NAME		00072GDE_DC/00A				
		THIRD ANGLE PROJECTION				
MATERIAL		STEEL		DRAWING NUMBER		
				00072GDE - DC		
00A	2-26-21	TWV	RYB	JEFK	SEE SHEET ONE FOR REVISIONS	M09000MX
REV	DATE	BY	CHK	APR	DESCRIPTION	ECN
DRAWN BY		DATE	CHK	SCALE	DRAWING NUMBER	
TWV		2-26-21	RYB	NONE	SHEET 3 OF 3	
						A

D10100DA/15