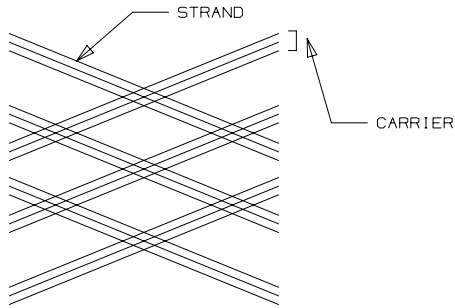
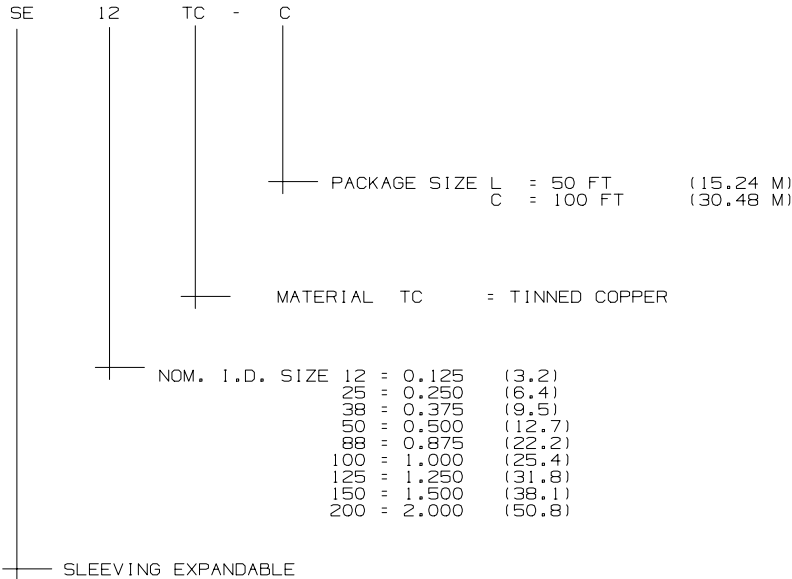


THIS COPY IS PROVIDED ON A RESTRICTED BASIS AND IS NOT TO BE USED IN ANY WAY DETRIMENTAL TO THE INTERESTS OF PANDUIT CORP.



PANDUIT PART NUMBER	NOMINAL I.D.	NO. OF CARRIERS	NO. OF STRANDS PER CARRIER	WEIGHT/100' lbs. (kg)
SE12TC-C	0.125 (3.18)	24	5	1.30 (0.59)
SE25TC-C	0.250 (6.35)	24	16	2.20 (1.00)
SE38TC-C	0.375 (9.53)	48	8	3.30 (1.50)
SE50TC-L	0.500 (12.70)	48	11	3.50 (1.59)
SE88TC-L	0.875 (22.23)	48	7	10.30 (4.67)
SE100TC-L	1.00 (25.40)	48	8	13.15 (5.96)
SE125TC-L	1.250 (31.75)	48	10	16.50 (7.48)
SE150TC-L	1.500 (38.10)	48	12	18.40 (8.35)
SE200TC-L	2.000 (50.80)	48	14	22.70 (10.30)



NOTES:

1. ALL STRANDS OF THE TC SLEEVING SHALL BE THE SAME COLOR.

2. REELS MAY HAVE SPLICES, DEPENDING ON LENGTH:

LENGTH	50 FT	100 FT	200 FT	500 FT	1000 FT
MAX SPLICES	0	1	1	2	3

3. CONFORMS TO MIL-SPEC AA-59569

TITLE TINNED COPPER BRAIDED SLEEVING									
CUSTOMER DRAWING									
ITEM REVISION NAME 02345EBC/01				PANDUIT					
DATASET FILE NAME 02345EBC-DC/01A									
UNLESS OTHERWISE SPECIFIED, DIMENSIONAL TOLERANCES ARE: IN [mm]				MATERIAL: SEE PART NUMBER DESCRIPTION					
<table> <tr> <td>.x ±</td> <td>.xxx ±</td> </tr> <tr> <td>.xx ±</td> <td>ANGLES ±</td> </tr> </table>				.x ±	.xxx ±	.xx ±	ANGLES ±	DRAWING NUMBER: 02345EBC-DC	
.x ±	.xxx ±								
.xx ±	ANGLES ±								
REV	DATE	BY	CHK	APR	DESCRIPTION				
01	9/30/21	JHNU	DJW	JADE	REMOVED BUNDLE DIA. COLUMN				
00	6/29/21	JHNU	DJW	JADE	DRAWING RELEASED				
DRAWN BY JHNU				DATE 6/29/21	ECN				
CHK				SCALE N/A	SHT 1 OF 1				
				SIZE A					

D10100DA/20